



US00D374265S

# United States Patent [19]

[11] Patent Number: Des. 374,265

Rasmussen

[45] Date of Patent: \*\*Oct. 1, 1996

[54] **BOW STRING RELEASE**

[76] Inventor: **Kelly S. Rasmussen**, 908 Madison, Rock Springs, Wyo. 82901

[\*\*] Term: **14 Years**

[21] Appl. No.: **25,995**

[22] Filed: **Aug. 3, 1994**

### Related U.S. Application Data

[63] Continuation-in-part of Ser. No. 14,499, Oct. 22, 1993, abandoned.

[52] U.S. Cl. .... **D22/107**; D22/199

[58] Field of Search ..... D22/107; D3/215; 124/35.1, 35.2, 31, 90; 15/104.16; D8/395; D11/200, 201, 208, 213

[56] **References Cited**

#### U.S. PATENT DOCUMENTS

D. 255,824	7/1980	MacWilliams et al. ....	D22/107
2,508,521	5/1950	Lay .....	124/90 X
3,297,013	1/1967	Smith et al. ....	124/90
3,438,461	4/1969	MacPherson .....	15/104.16 X
3,714,316	1/1973	Angeloff .....	124/90 X
3,929,120	12/1975	Barner .....	124/35.2
4,134,369	1/1979	Cook .....	124/35.2
4,391,263	7/1983	Dodge .....	124/35.2
4,702,067	10/1987	Izuta .....	124/90 X
4,724,821	2/1988	Besaw .....	124/35.2
5,322,049	6/1994	Dunlap .....	124/90

*Primary Examiner*—Louis S. Zarfes  
*Assistant Examiner*—Monica A. Hannon  
*Attorney, Agent, or Firm*—Madson & Metcalf

[57] **CLAIM**

The ornamental design for a bow string release, as shown.

### DESCRIPTION

FIG. 1 is a top view of the bow string release according to the present invention;

FIG. 2 is a side view thereof;

FIG. 3 is a end view thereof;

FIG. 4 is an perspective view of the bow string release showing the intended configuration with respect to a bow string;

FIG. 5 is a side view of the bow string release showing the intended configuration of its use with respect to a bow, a bow string attached to the bow, a hand held bow string drawing device having an arrow release trigger, and an arrow;

FIG. 6 is an enlarged side view of the bow string release in the configuration of its intended use as shown in FIG. 5; and,

FIG. 7 is an enlarged side view of the bow string release in the configuration of its intended use as in FIG. 6, except that the bow string release is not engaged with the hand held bow string drawing device.

The broken line showing of a bow string, a bow, a bow string drawing device, an arrow release trigger, and an arrow, in FIGS. 4-7 is for illustrative purposes only and forms no part of the claimed design.

**1 Claim, 3 Drawing Sheets**

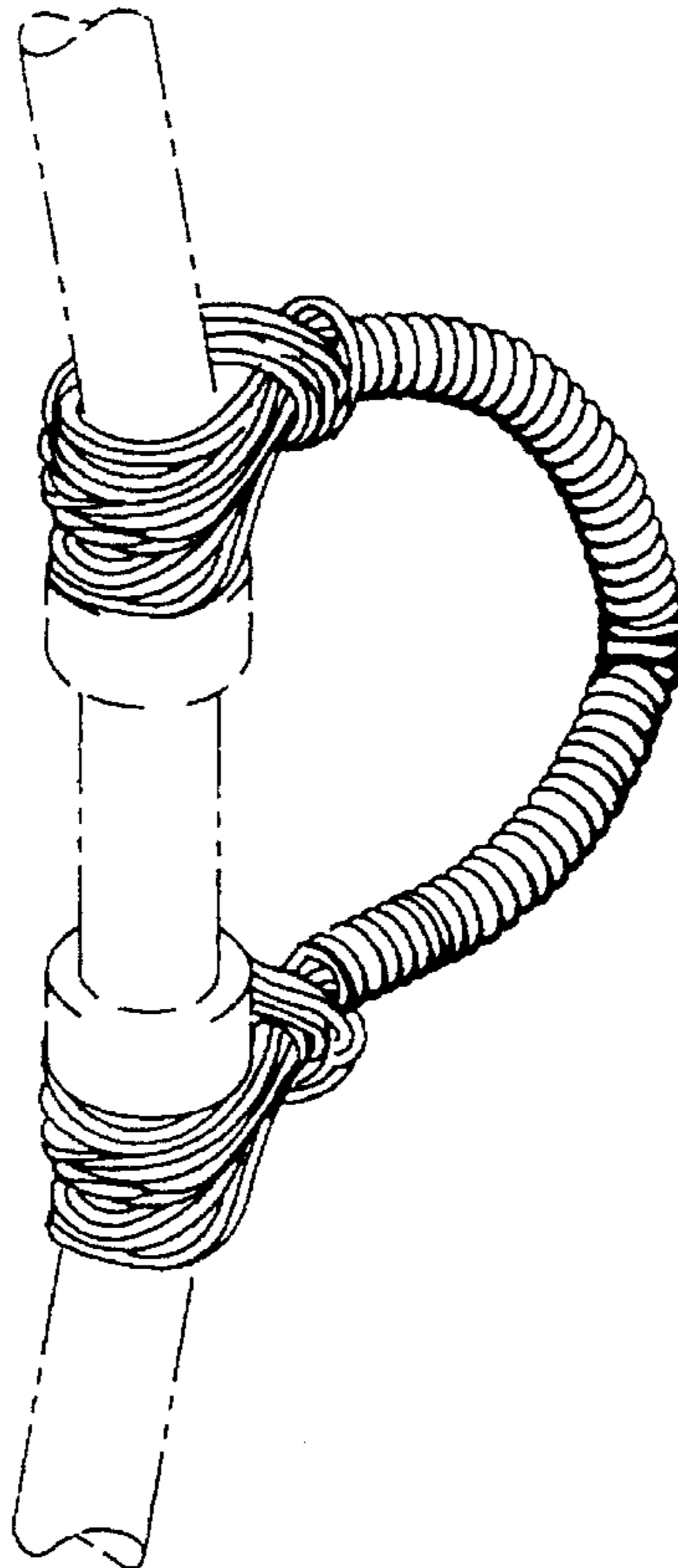




FIG. 1



FIG. 2



FIG. 3

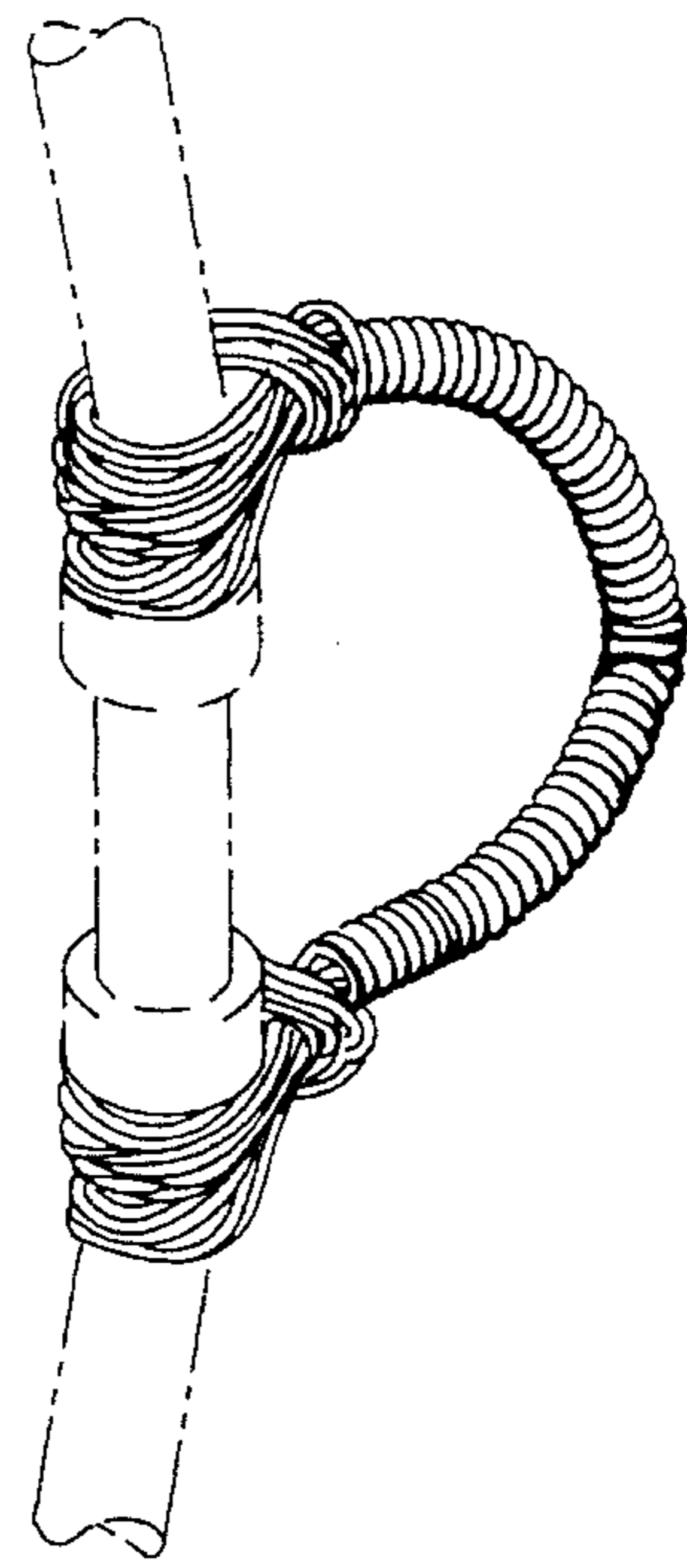


FIG. 4

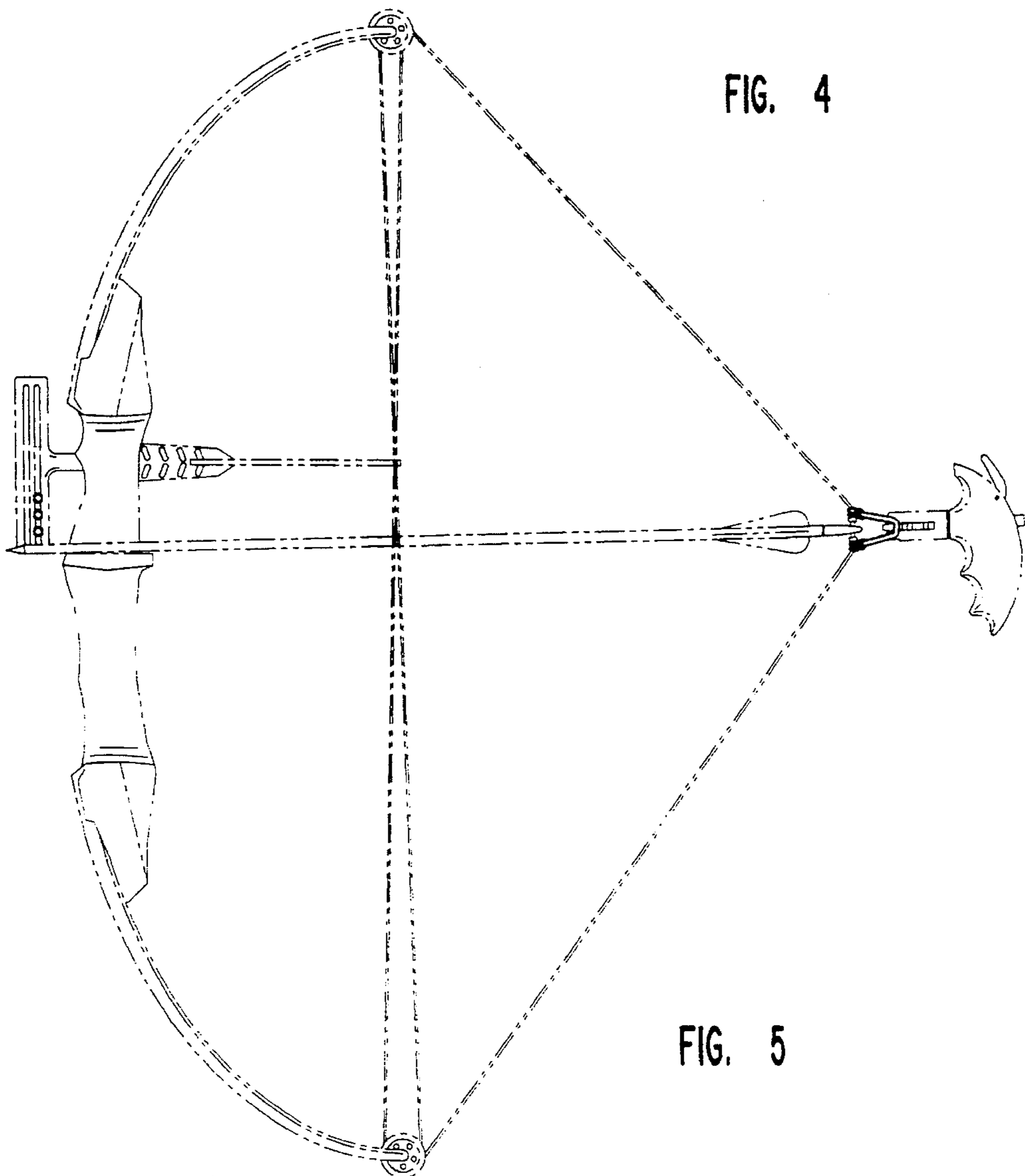


FIG. 5

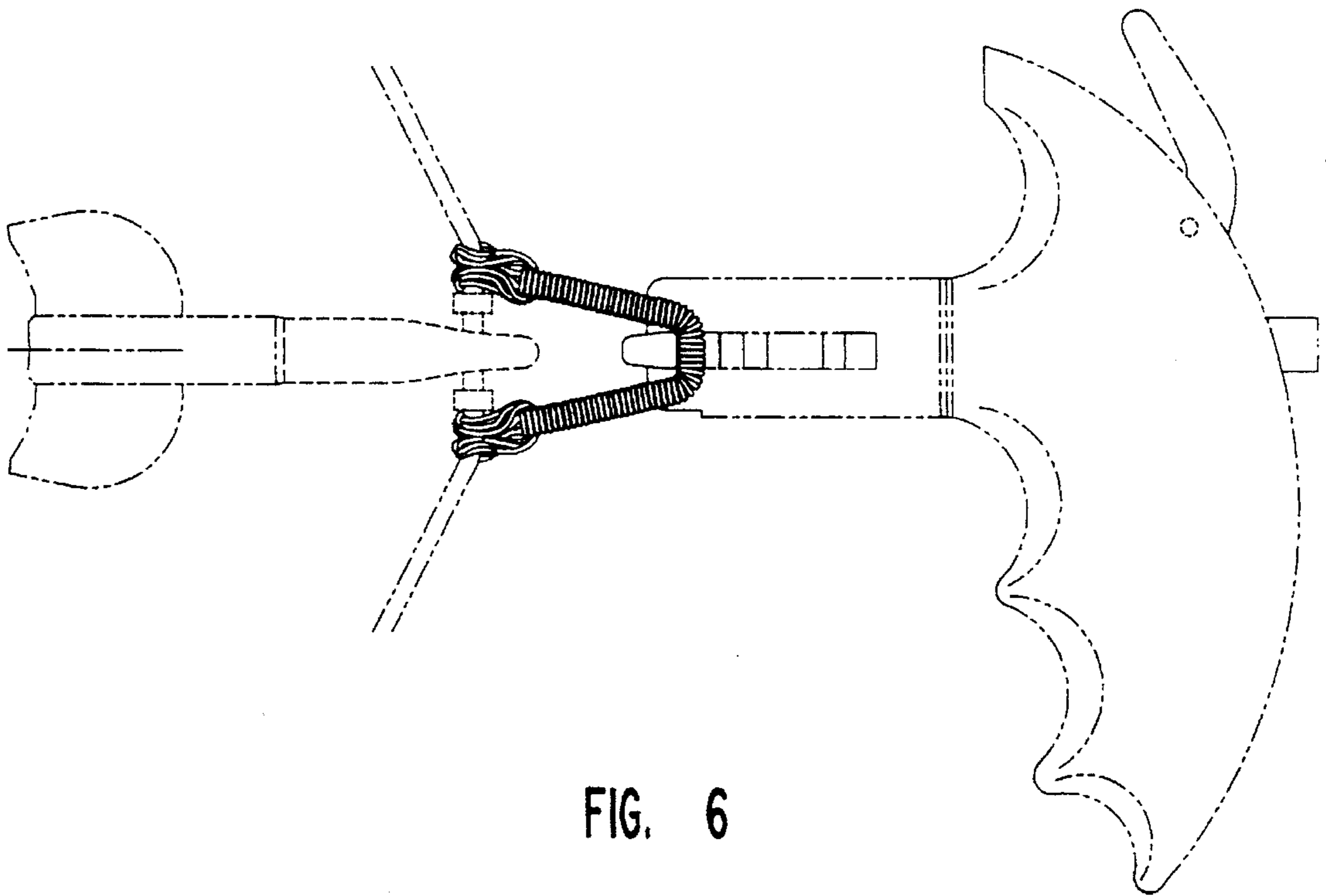


FIG. 6

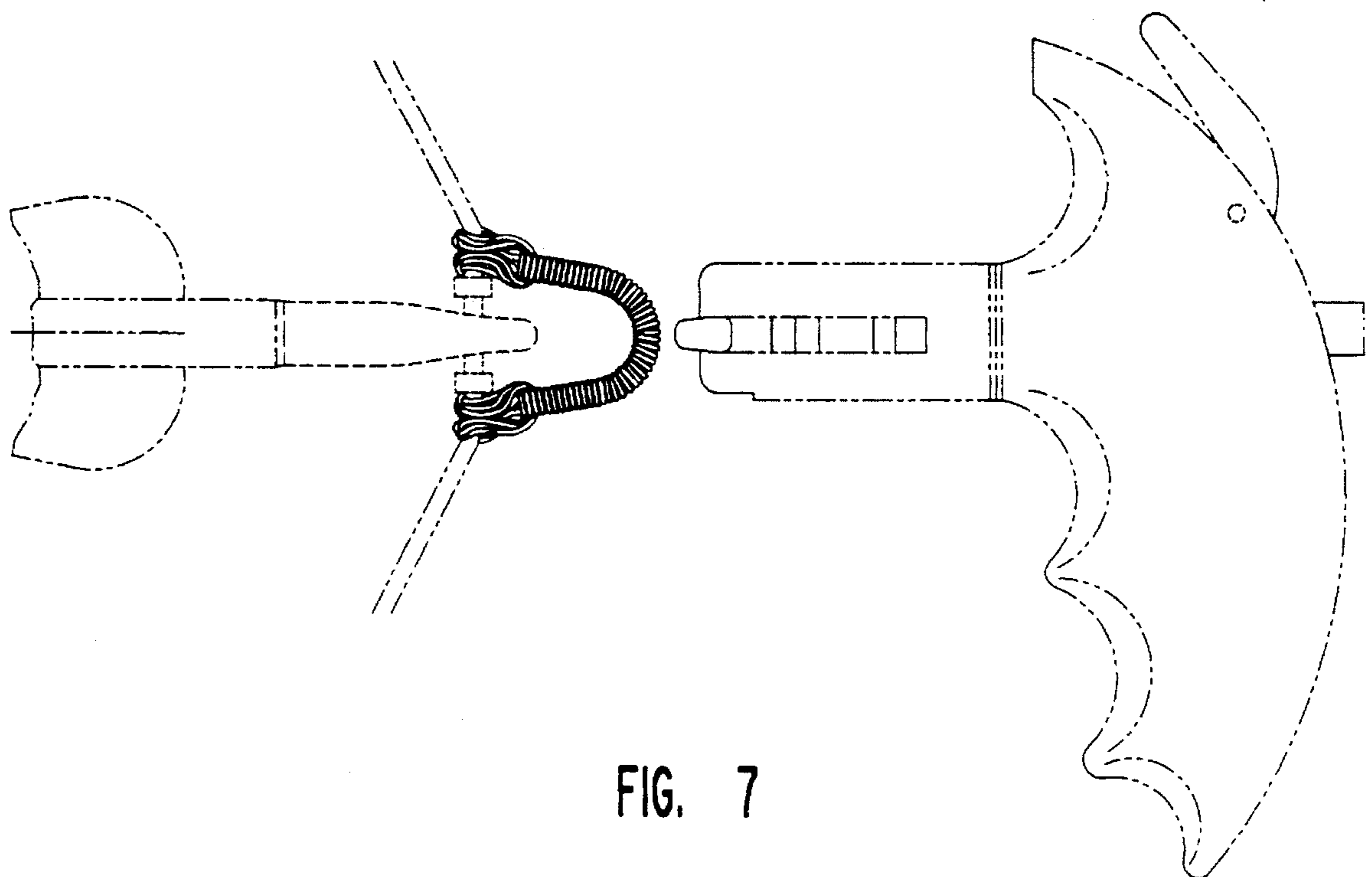


FIG. 7