



US00D374260S

# United States Patent [19]

Snyderman et al.

[11] Patent Number: **Des. 374,260**

[45] Date of Patent: **\*\*Oct. 1, 1996**

[54] TREADMILL

4,643,418 2/1987 Bart ..... 482/54  
4,659,074 4/1987 Taitel et al. .... 482/54

[75] Inventors: **Fredric Snyderman, Sharon; Leonard Snyderman**, Boston, both of Mass.

*Primary Examiner*—Philip S. Hyder  
*Attorney, Agent, or Firm*—Herbert L. Bello

[73] Assignee: **CSA, Inc.**, South Easton, Mass.

[57] **CLAIM**

[\*\*] Term: **14 Years**

The ornamental design for a treadmill, as shown and described.

[21] Appl. No.: **40,442**

**DESCRIPTION**

[22] Filed: **Jun. 19, 1995**

[52] U.S. Cl. .... **D21/192**

[58] Field of Search ..... D21/191, 192,  
D21/193; 482/51, 54, 52, 53

FIG. 1 is a perspective view of a treadmill showing our new design;

FIG. 2 is a front elevational view thereof;

FIG. 3 is a rear elevational view thereof;

FIG. 4 is a right side view thereof;

FIG. 5 is a left side view thereof;

FIG. 6 is a top plan view thereof; and,

FIG. 7 is a bottom plan view thereof.

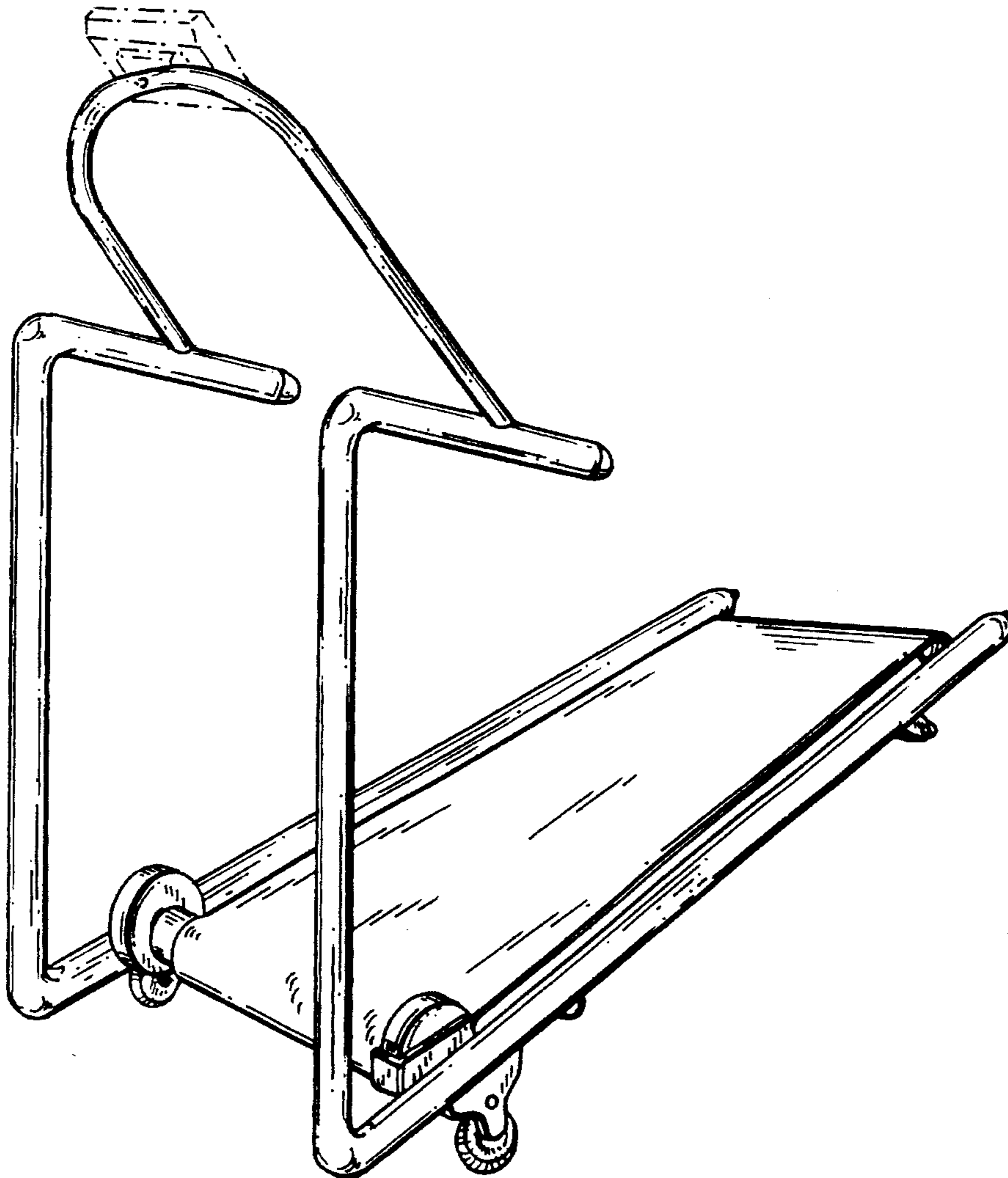
The broken line showing of the control panel is for illustrative purposes only and forms no part of the claimed design.

[56] **References Cited**

**U.S. PATENT DOCUMENTS**

D. 282,386	1/1986	Dealey et al. ....	D21/192
D. 289,668	5/1987	Gremonprez et al. ....	D21/192
D. 291,821	9/1987	Kiishi .....	D21/192
D. 303,557	9/1989	Kiishi .....	D21/192
D. 325,951	5/1992	Johnson .....	D21/192
D. 355,227	2/1995	Summers et al. ....	D21/192
4,544,152	10/1985	Taitel .....	482/54

**1 Claim, 5 Drawing Sheets**



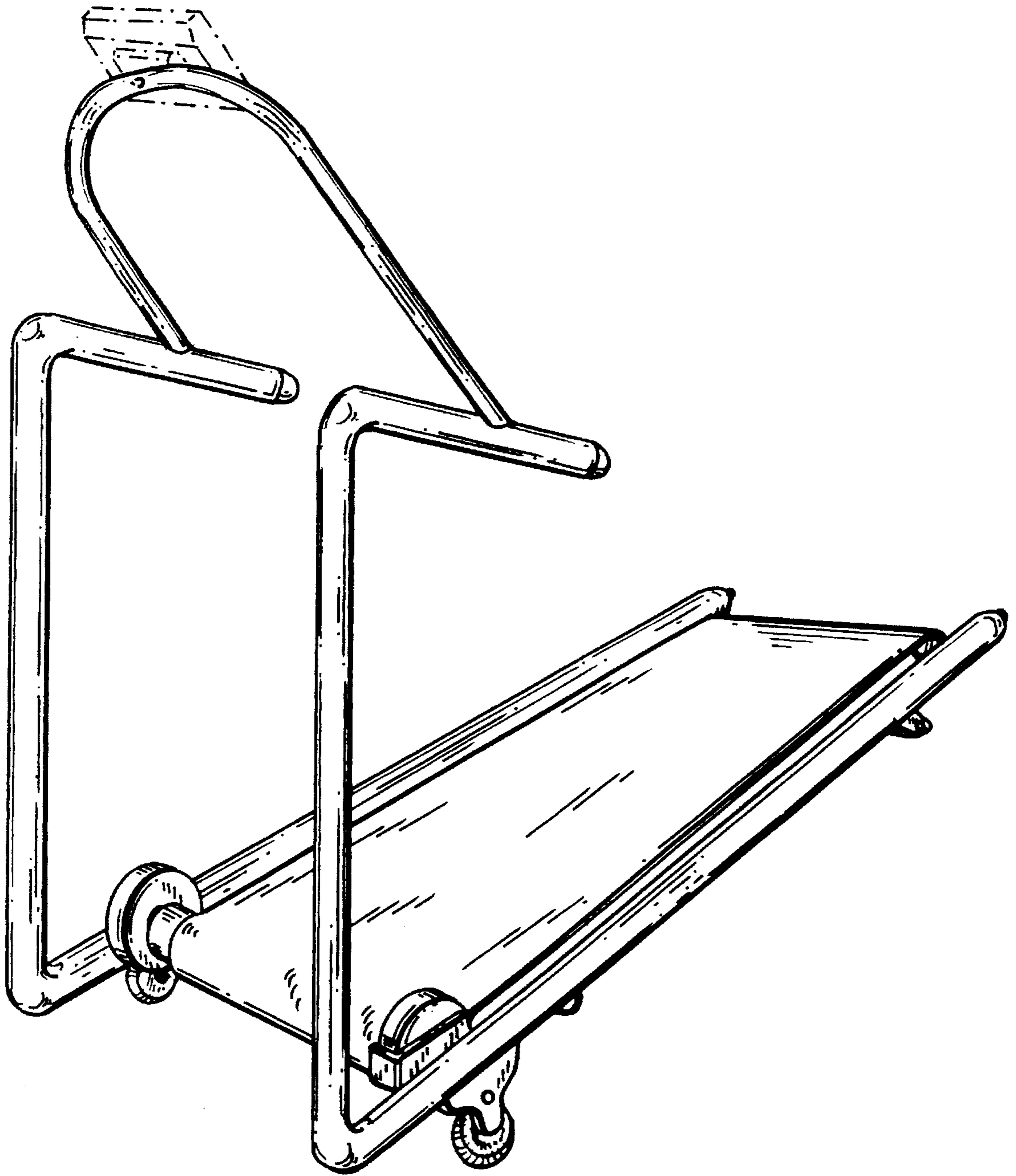


FIG. 1

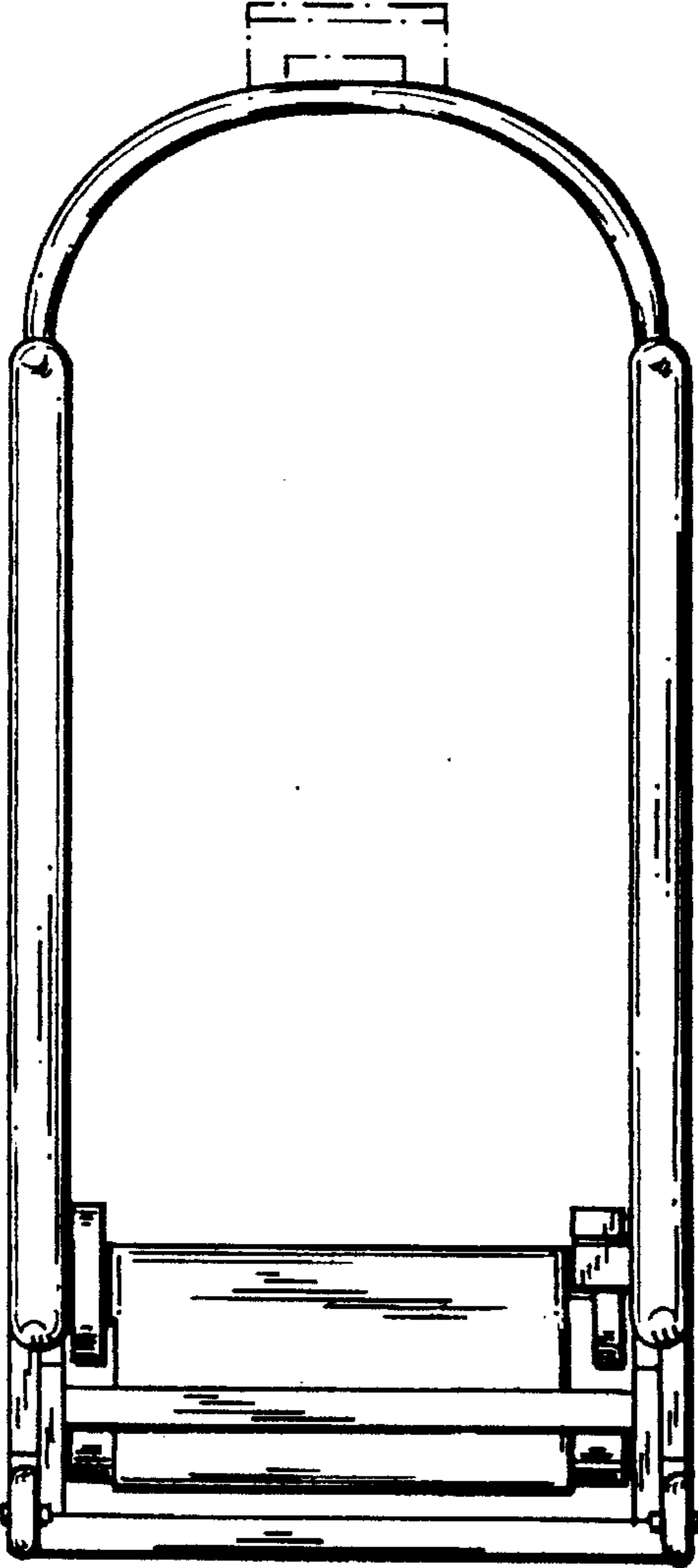


FIG. 2

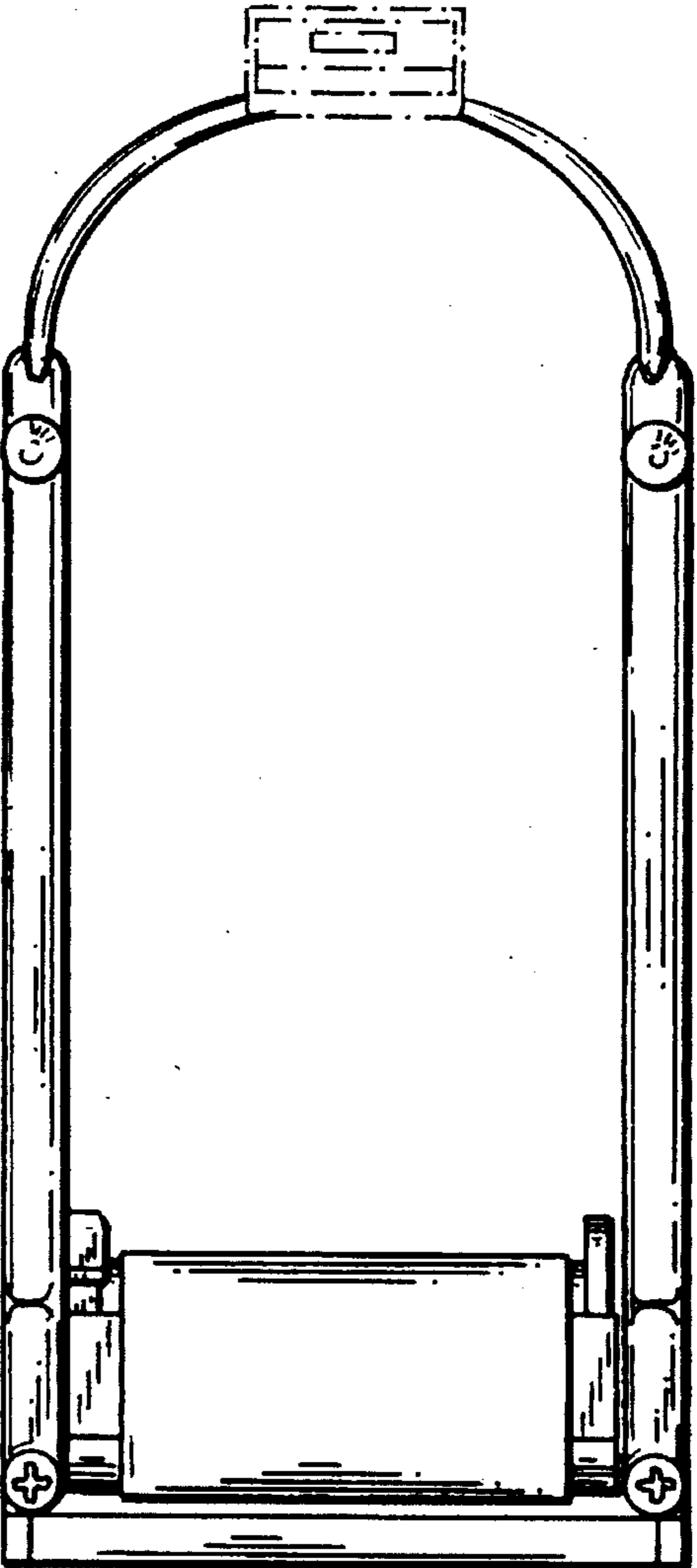


FIG. 3

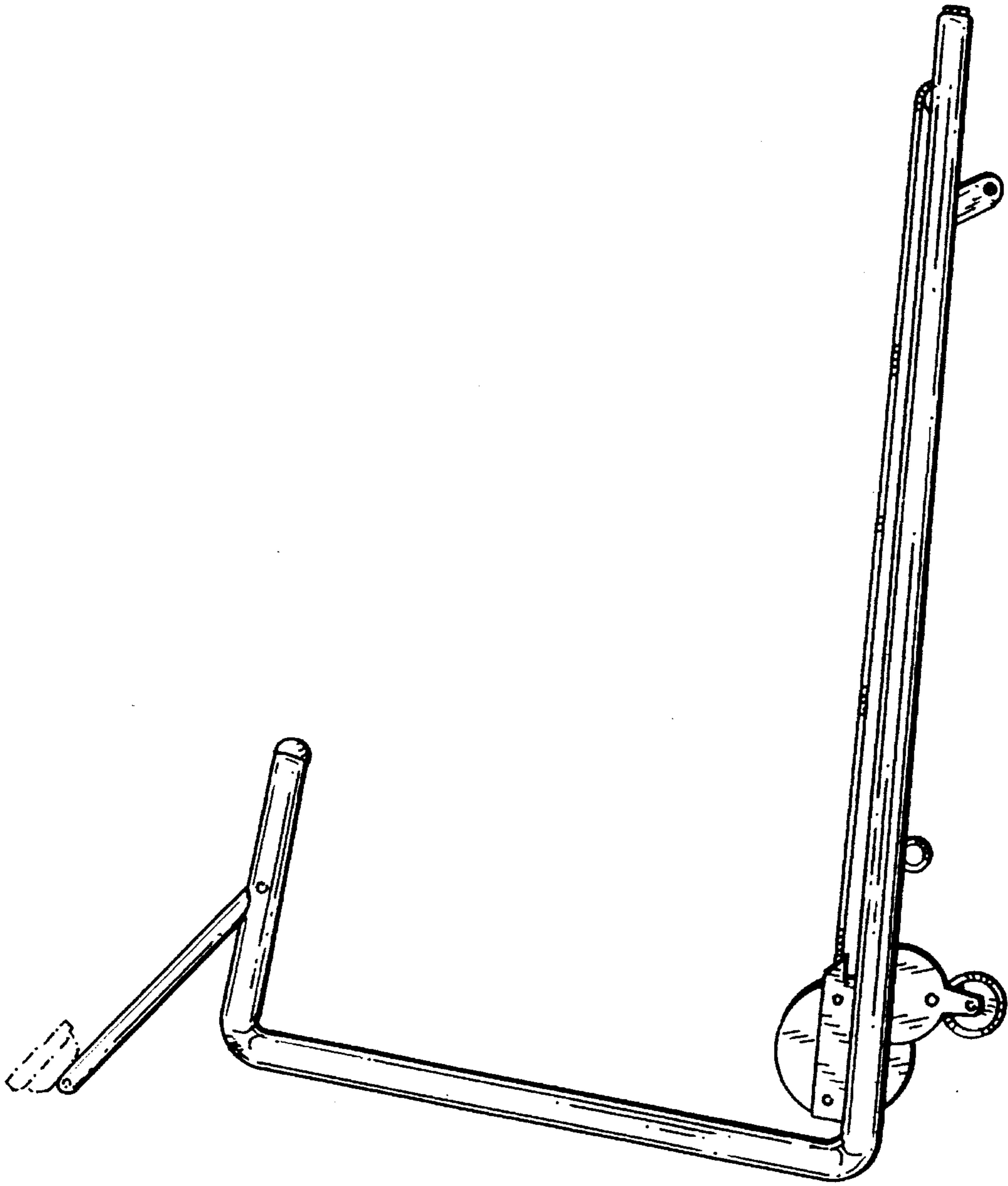


FIG. 4

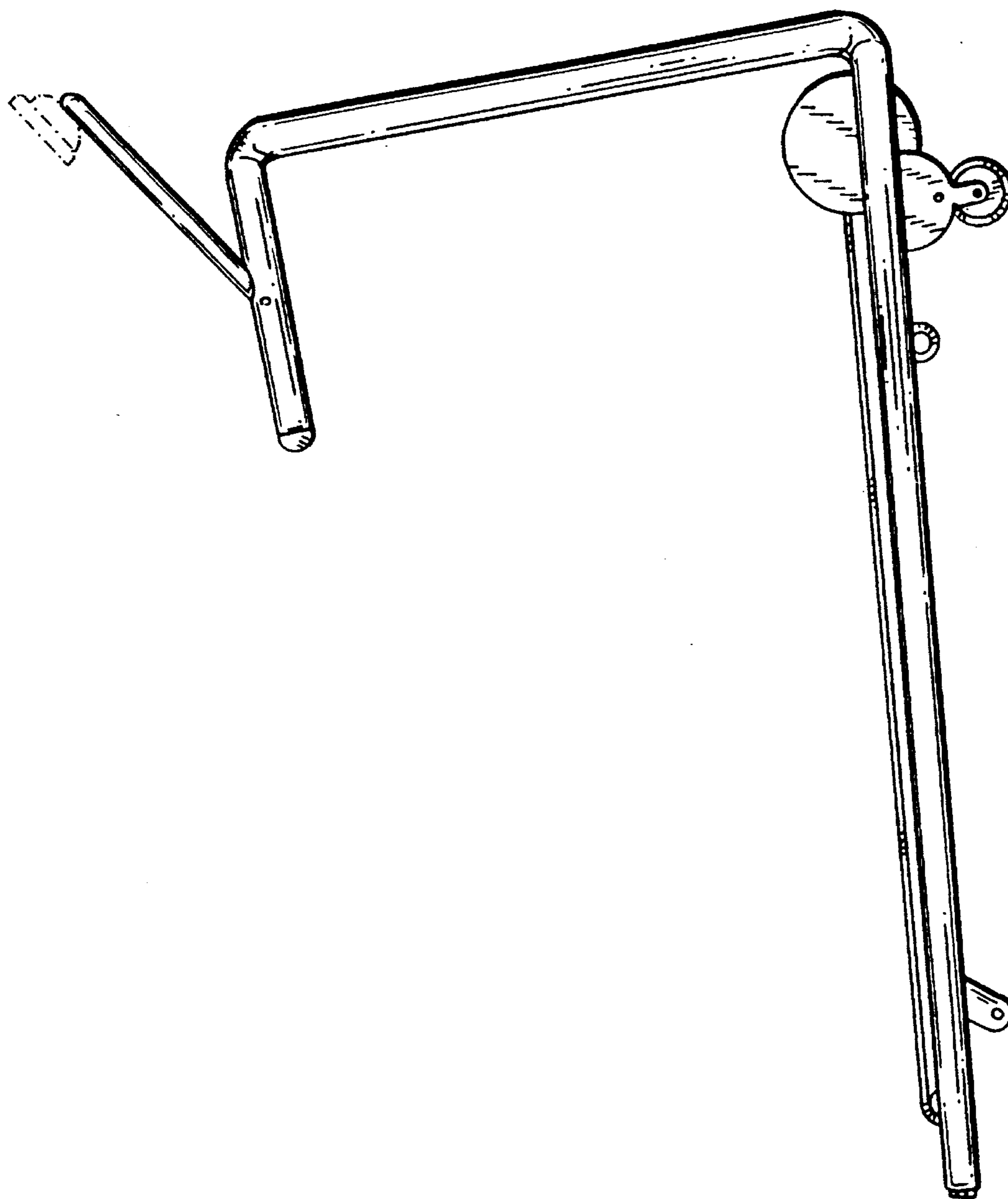


FIG. 5



FIG. 7

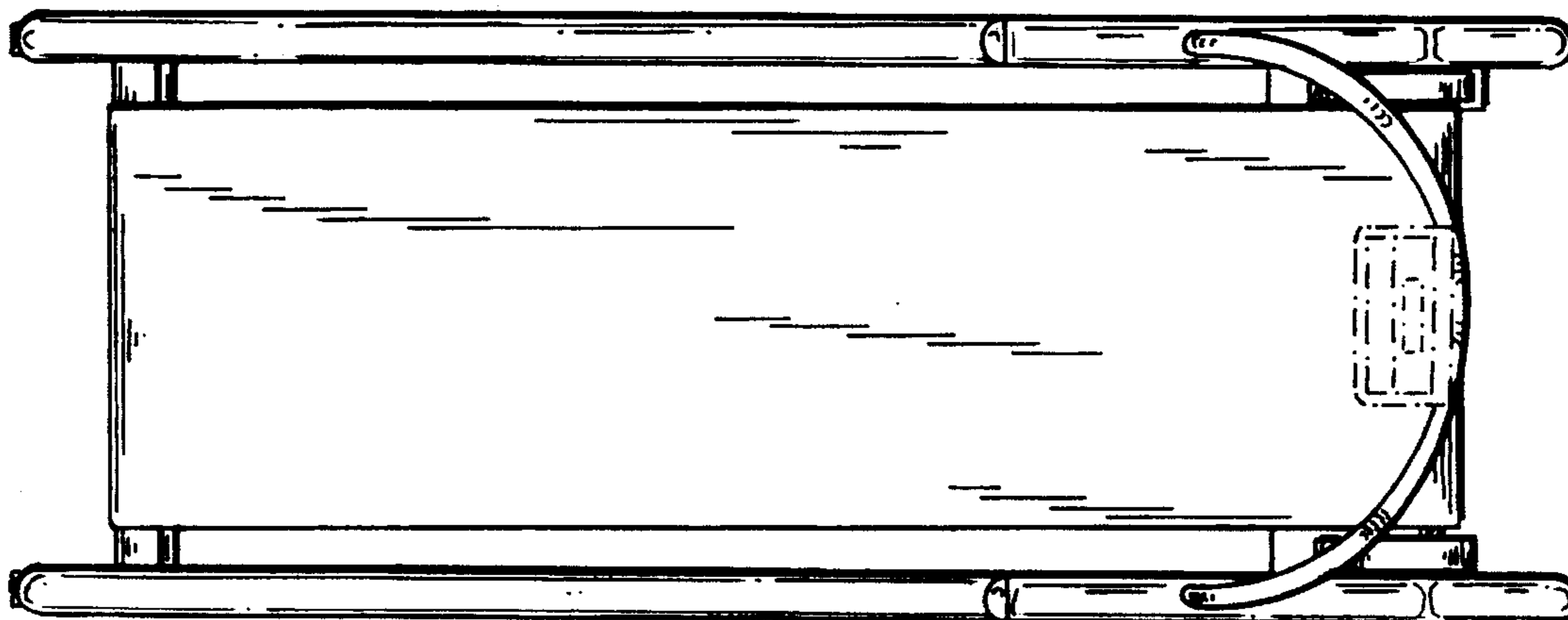
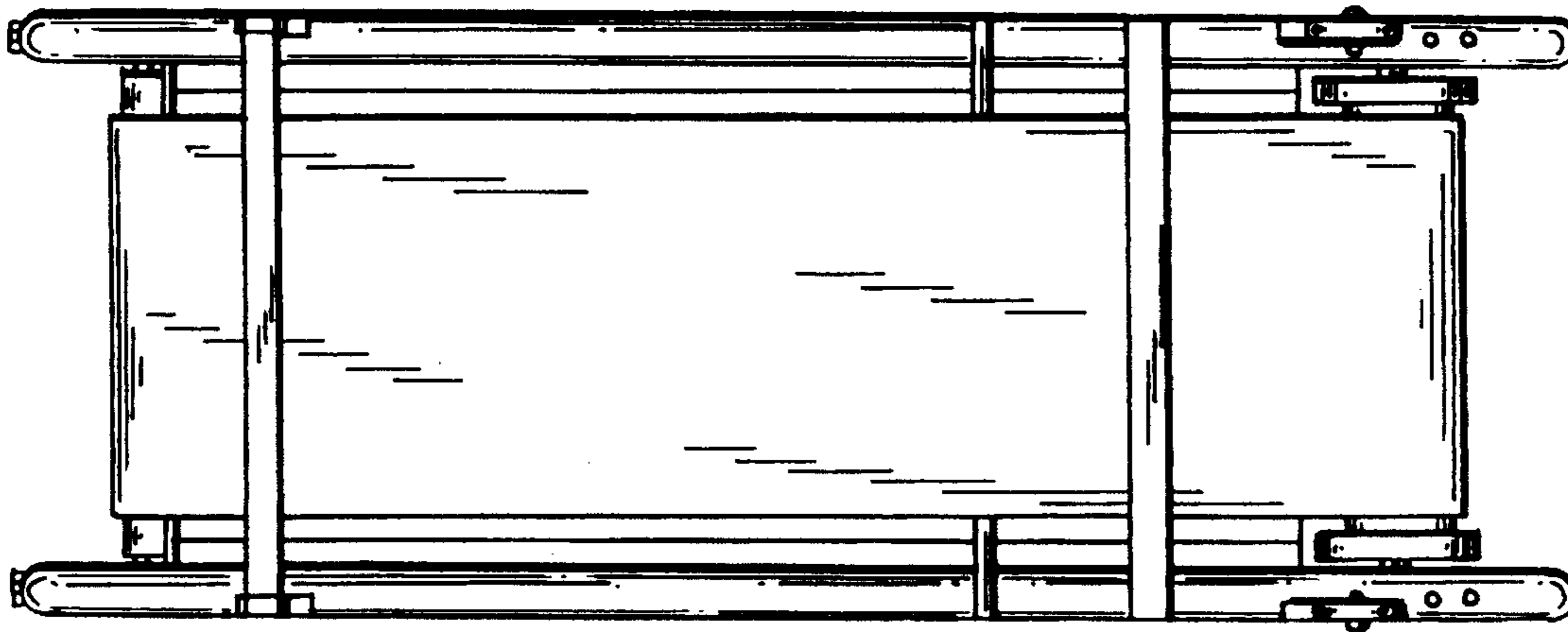


FIG. 6