



US00D374254S

United States Patent [19]

Wesley

[11] **Patent Number:** **Des. 374,254**

[45] **Date of Patent:** ****Oct. 1, 1996**

[54] **RALLY KNOCKER**

[76] Inventor: **Carlos Wesley**, 8013 Janes Ave., Apt. H, Woodridge, Ill. 60517

[**] Term: **14 Years**

[21] Appl. No.: **45,072**

[22] Filed: **Oct. 6, 1995**

D. 73,752	11/1927	Marks	D21/65
D. 139,087	10/1944	Nudelman	D21/65
D. 276,827	12/1984	Jones	D21/65
1,490,914	4/1924	Cornell	446/422

Primary Examiner—Dominic Simone
Attorney, Agent, or Firm—Wallenstein & Wagner, Ltd.

[57] CLAIM

The ornamental design for a rally knocker, as shown and described.

Related U.S. Application Data

[62] Division of Ser. No. 16,492, Dec. 16, 1993, Pat. No. Des. 363,322.

[52] U.S. Cl. **D21/65; D21/64**

[58] Field of Search **D21/59, 64, 65; D17/22; 446/418, 419, 421, 422**

DESCRIPTION

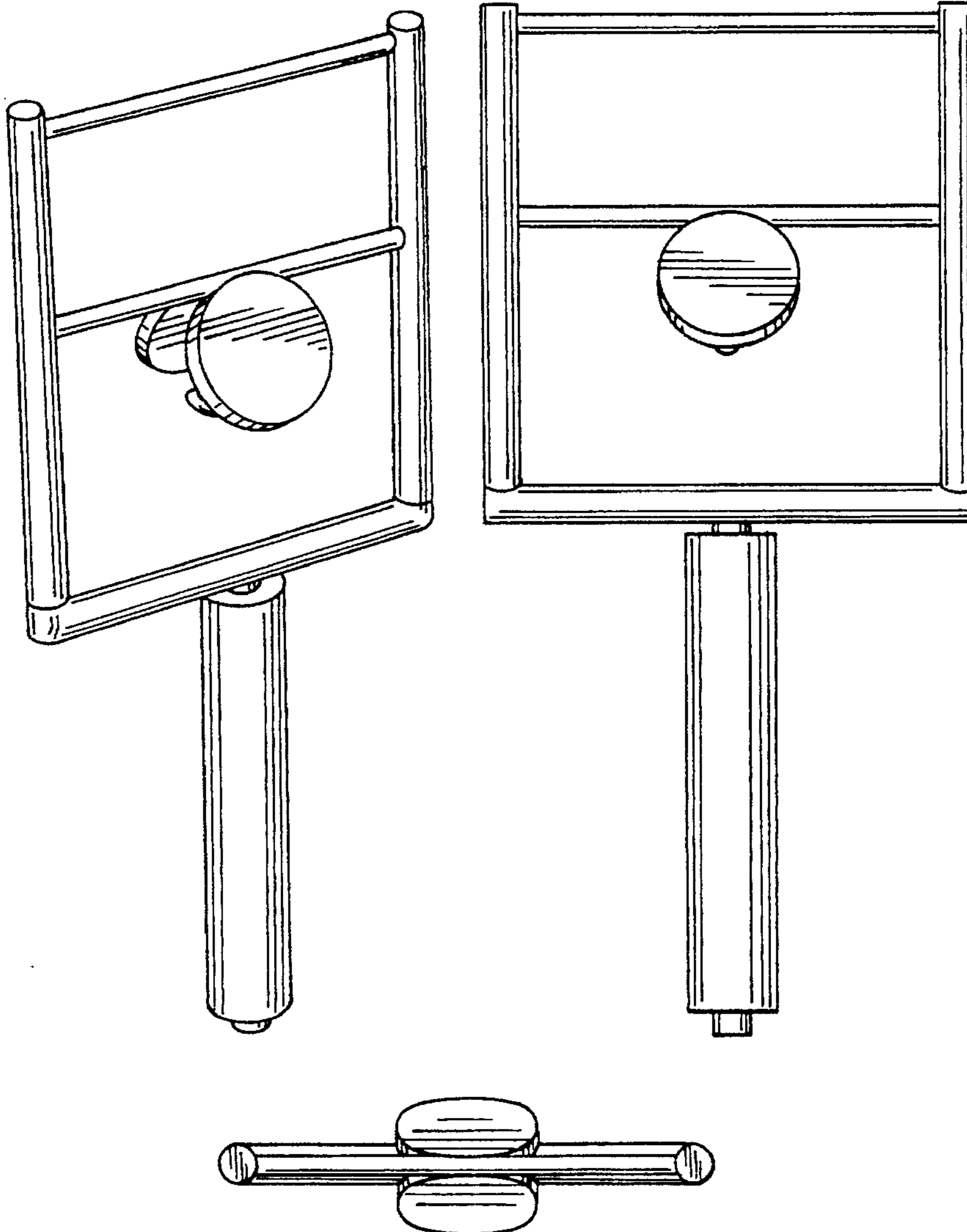
FIG. 1 is a front perspective view of a rally knocker showing my new design;
FIG. 2 is a front elevational view thereof;
FIG. 3 is a side elevational view thereof, the opposite side being identical;
FIG. 4 is a top plan view thereof; and,
FIG. 5 is a bottom plan view thereof.

[56] References Cited

U.S. PATENT DOCUMENTS

D. 32,982 7/1900 Jackson D21/64

1 Claim, 1 Drawing Sheet



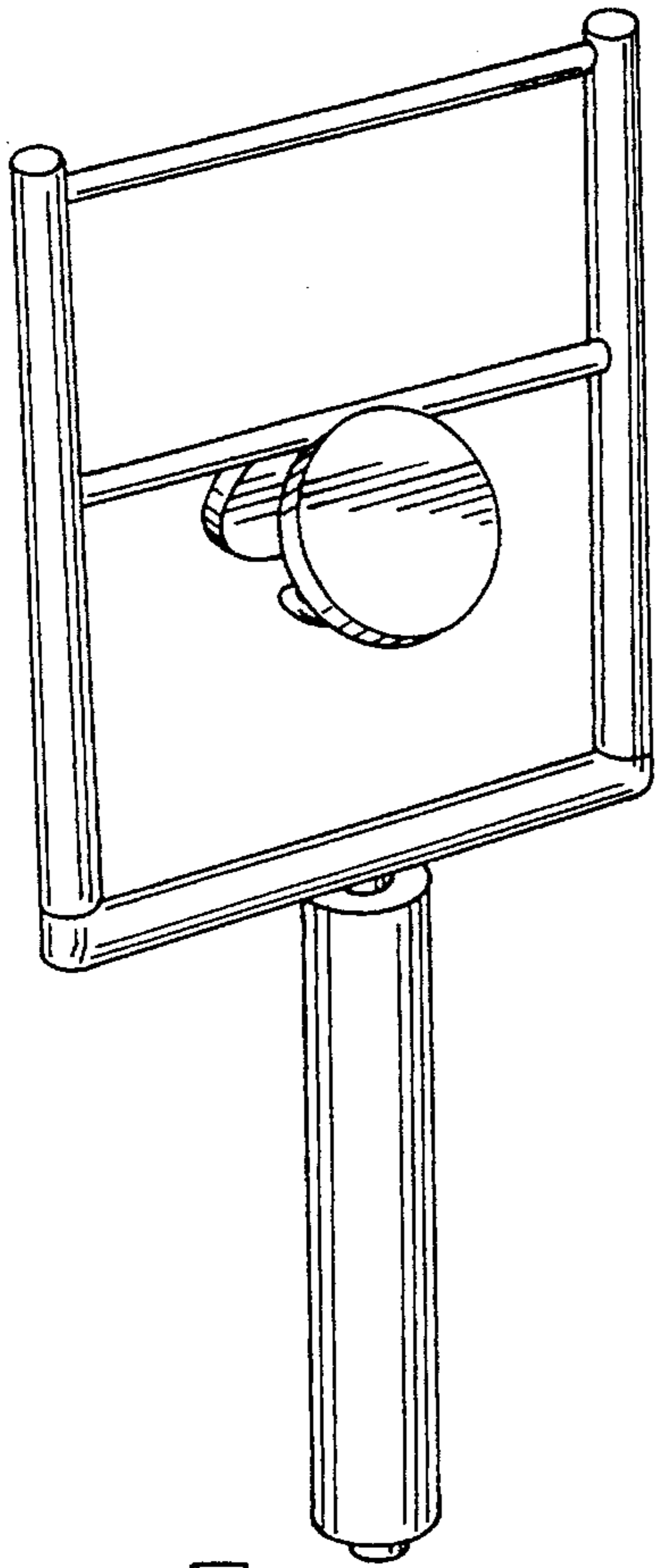


FIG. 1

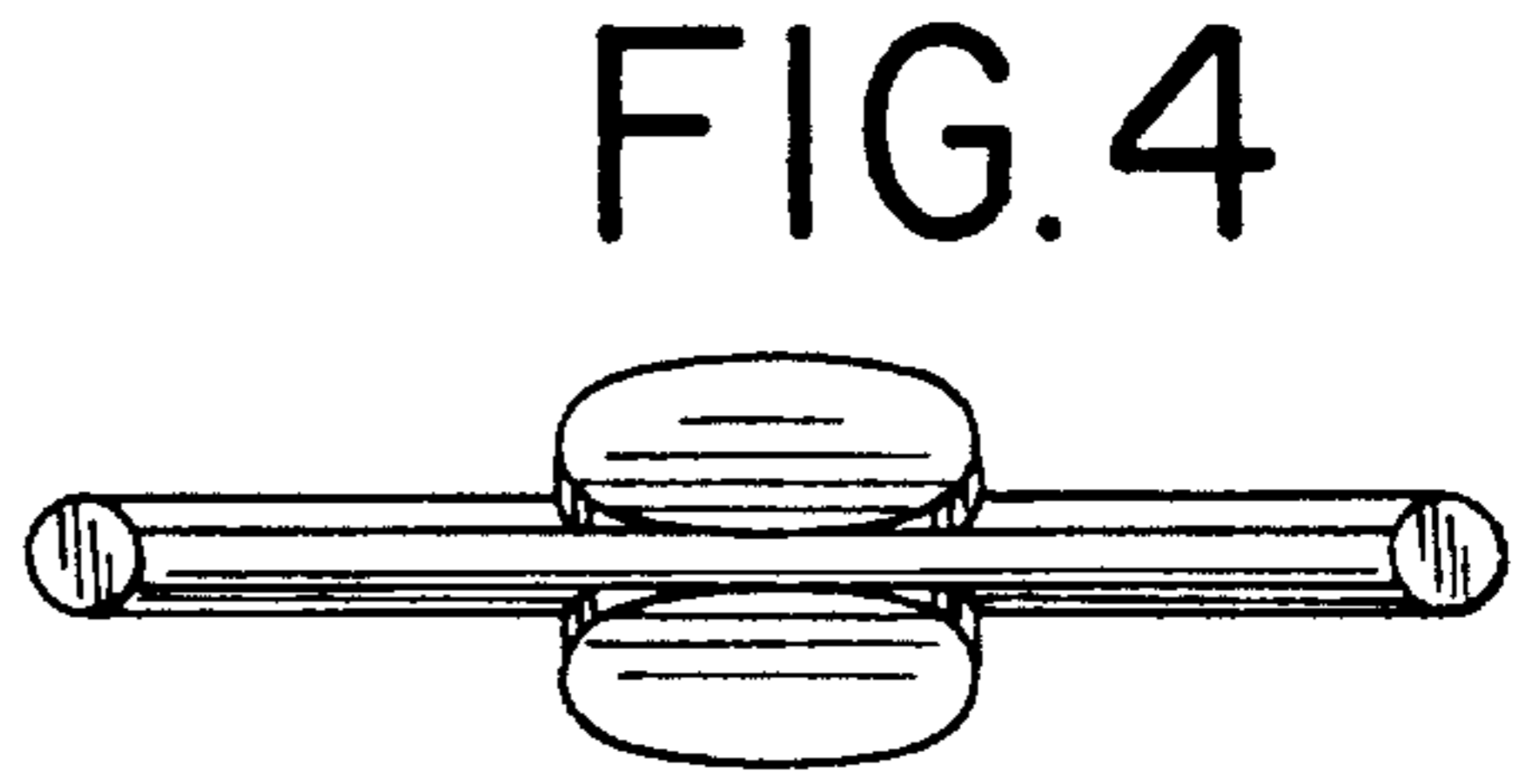


FIG. 4

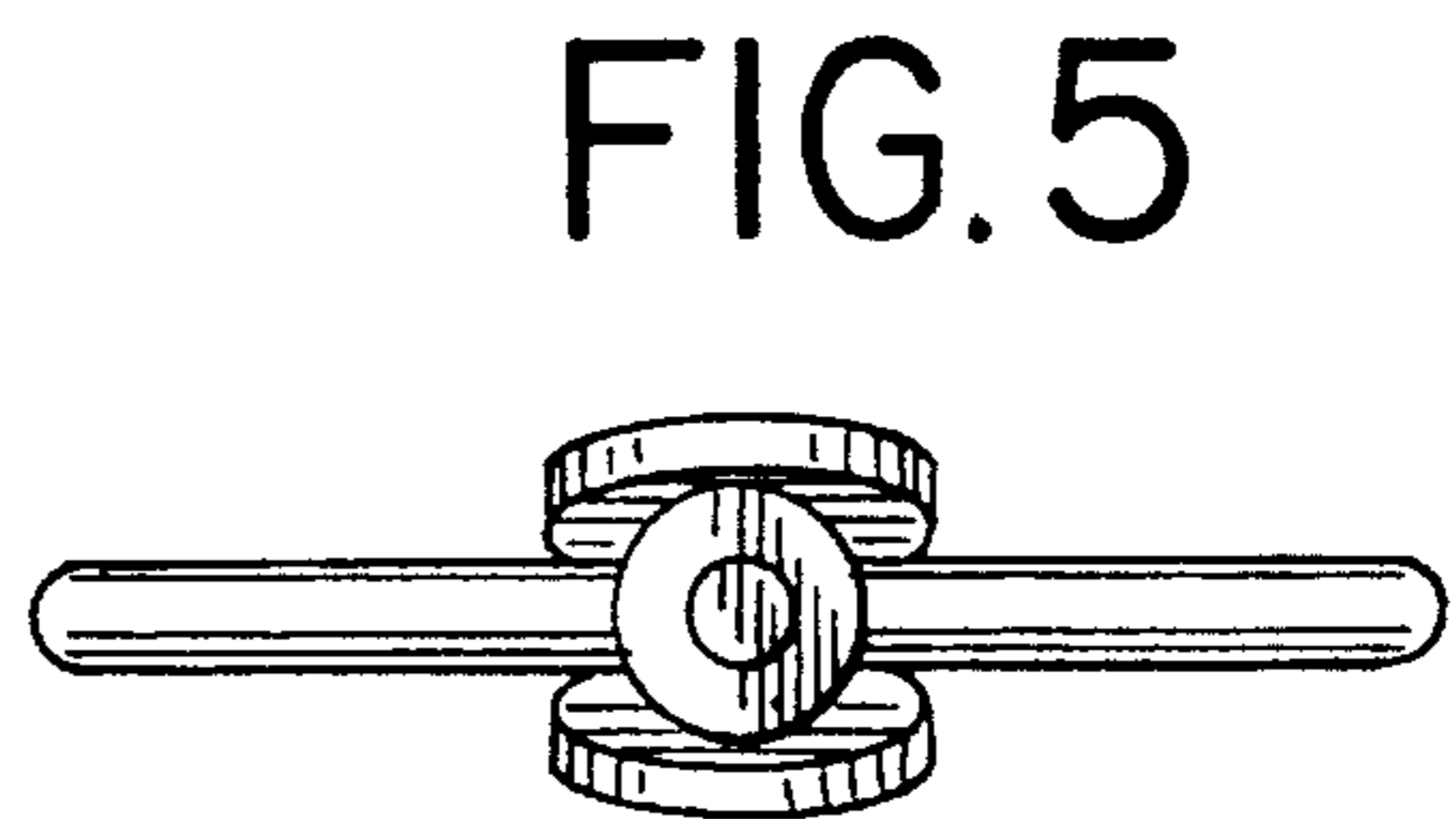


FIG. 5

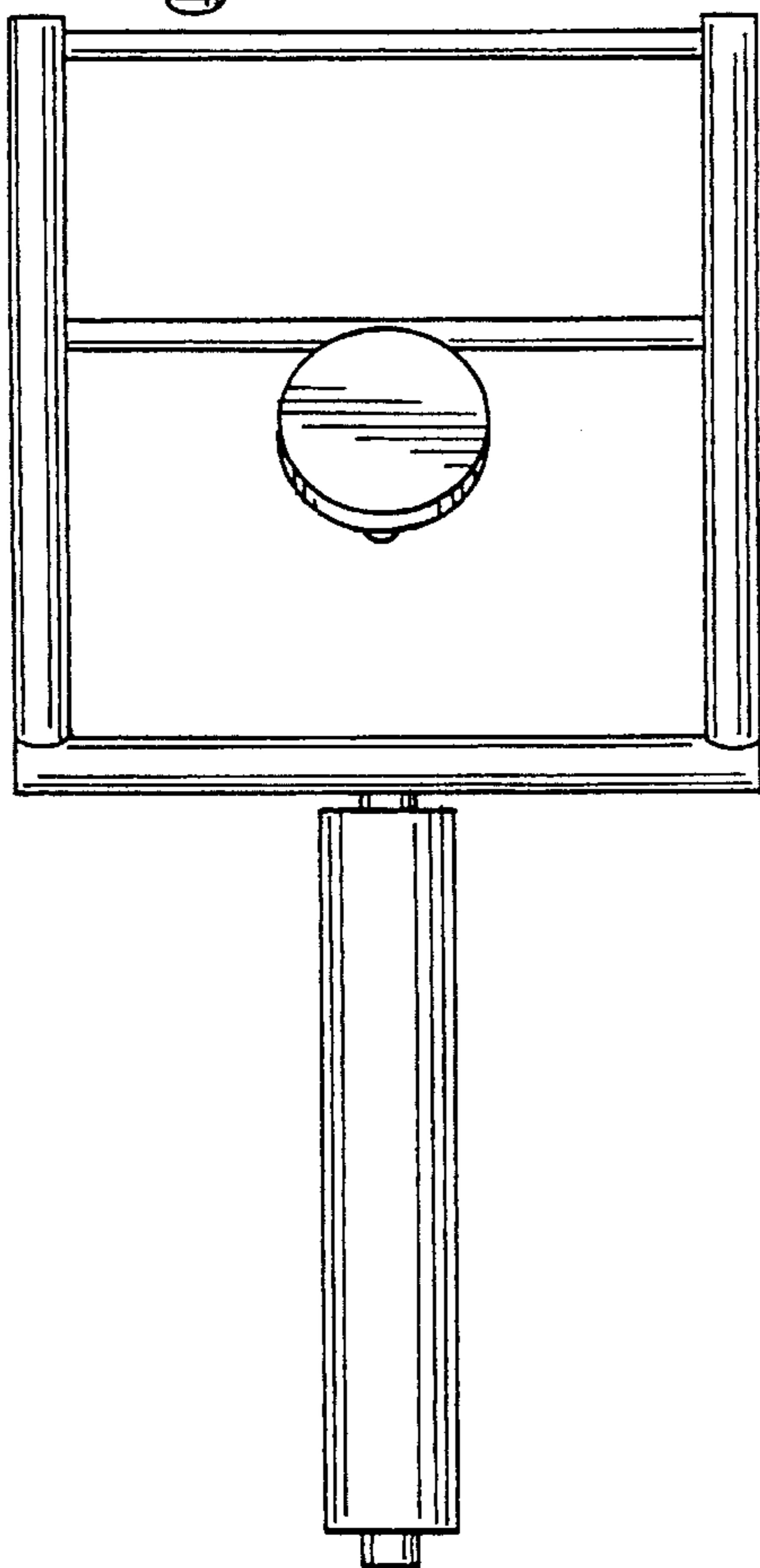


FIG. 2

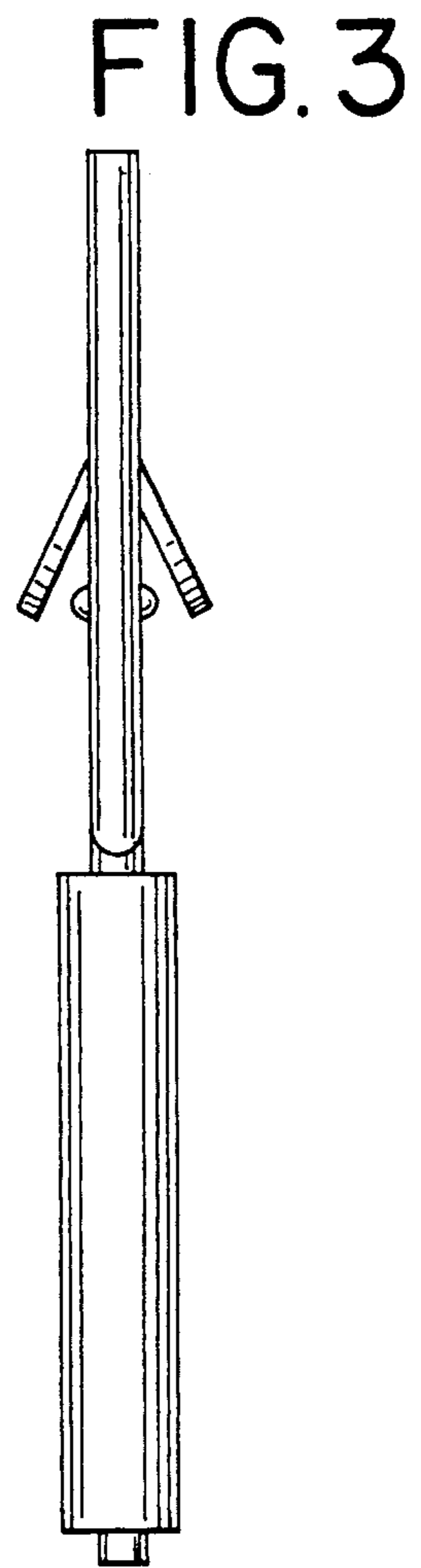


FIG. 3