



US00D374248S

# United States Patent [19]

Agata et al.

[11] Patent Number: **Des. 374,248**

[45] Date of Patent: **\*\*Oct. 1, 1996**

[54] **COPYING MACHINE**

[75] Inventors: **Nobuyuki Agata**, Soka; **Takeshi Komada**, Yokosuka; **Hiroaki Ohashi**, Tokyo, all of Japan

[73] Assignee: **Canon Kabushiki Kaisha**, Tokyo, Japan

[\*\*] Term: **14 Years**

[21] Appl. No.: **38,725**

[22] Filed: **May 12, 1995**

[30] **Foreign Application Priority Data**

Nov. 14, 1994 [JP] Japan ..... 6-34665

[52] U.S. Cl. .... **D18/39**

[58] Field of Search ..... D18/36-39; D14/118; 354/89, 90, 297, 299; 355/200, 210, 233, 234

[56] **References Cited**

**U.S. PATENT DOCUMENTS**

|            |        |                      |        |
|------------|--------|----------------------|--------|
| D. 280,629 | 9/1985 | Goto et al. ....     | D18/38 |
| D. 280,630 | 9/1985 | Kadota .....         | D16/30 |
| D. 299,926 | 2/1989 | Katada et al. ....   | D18/38 |
| D. 300,749 | 4/1989 | Tokuda .....         | D18/38 |
| D. 313,814 | 1/1991 | Komada et al. ....   | D18/37 |
| D. 315,574 | 3/1991 | Komada et al. ....   | D18/37 |
| D. 316,424 | 4/1991 | Komada et al. ....   | D18/39 |
| D. 316,425 | 4/1991 | Aoyama et al. ....   | D18/39 |
| D. 317,622 | 6/1991 | Isomoto et al. ....  | D18/38 |
| D. 318,486 | 7/1991 | Yamamoto et al. .... | D18/39 |
| D. 328,756 | 8/1992 | Katada et al. ....   | D18/36 |

|            |        |                       |         |
|------------|--------|-----------------------|---------|
| D. 334,768 | 4/1993 | Katada et al. ....    | D18/36  |
| D. 334,769 | 4/1993 | Yamamoto et al. ....  | D18/36  |
| D. 334,770 | 4/1993 | Isomoto et al. ....   | D18/39  |
| D. 334,943 | 4/1993 | Suzuki et al. ....    | D18/39  |
| D. 338,031 | 8/1993 | Katada et al. ....    | D18/36  |
| D. 338,226 | 8/1993 | Yamamoto .....        | D18/39  |
| D. 338,228 | 8/1993 | Suzuki et al. ....    | D18/48  |
| D. 344,749 | 3/1994 | Komada et al. ....    | D18/40  |
| D. 344,973 | 3/1994 | Penke et al. ....     | D18/39  |
| D. 350,972 | 9/1994 | Komada et al. ....    | D18/36  |
| D. 354,304 | 1/1995 | Ishibashi et al. .... | D18/36  |
| D. 354,305 | 1/1995 | Suzuki .....          | D18/39  |
| D. 354,511 | 1/1995 | Agata et al. ....     | D18/36  |
| 4,165,168  | 8/1979 | Baumann et al. ....   | 355/200 |

*Primary Examiner*—Nelson C. Holtje  
*Assistant Examiner*—Caron D. Veynar  
*Attorney, Agent, or Firm*—Fitzpatrick, Cella, Harper & Scinto

[57] **CLAIM**

The ornamental design for a copying machine, as shown and described.

**DESCRIPTION**

FIG. 1 is a front elevational view of a copying machine showing our new design;  
FIG. 2 is a rear elevational view thereof;  
FIG. 3 is a top plan view thereof;  
FIG. 4 is a bottom plan view thereof;  
FIG. 5 is a left side elevational view thereof;  
FIG. 6 is a right side elevational view thereof; and,  
FIG. 7 is a perspective view thereof.

**1 Claim, 3 Drawing Sheets**

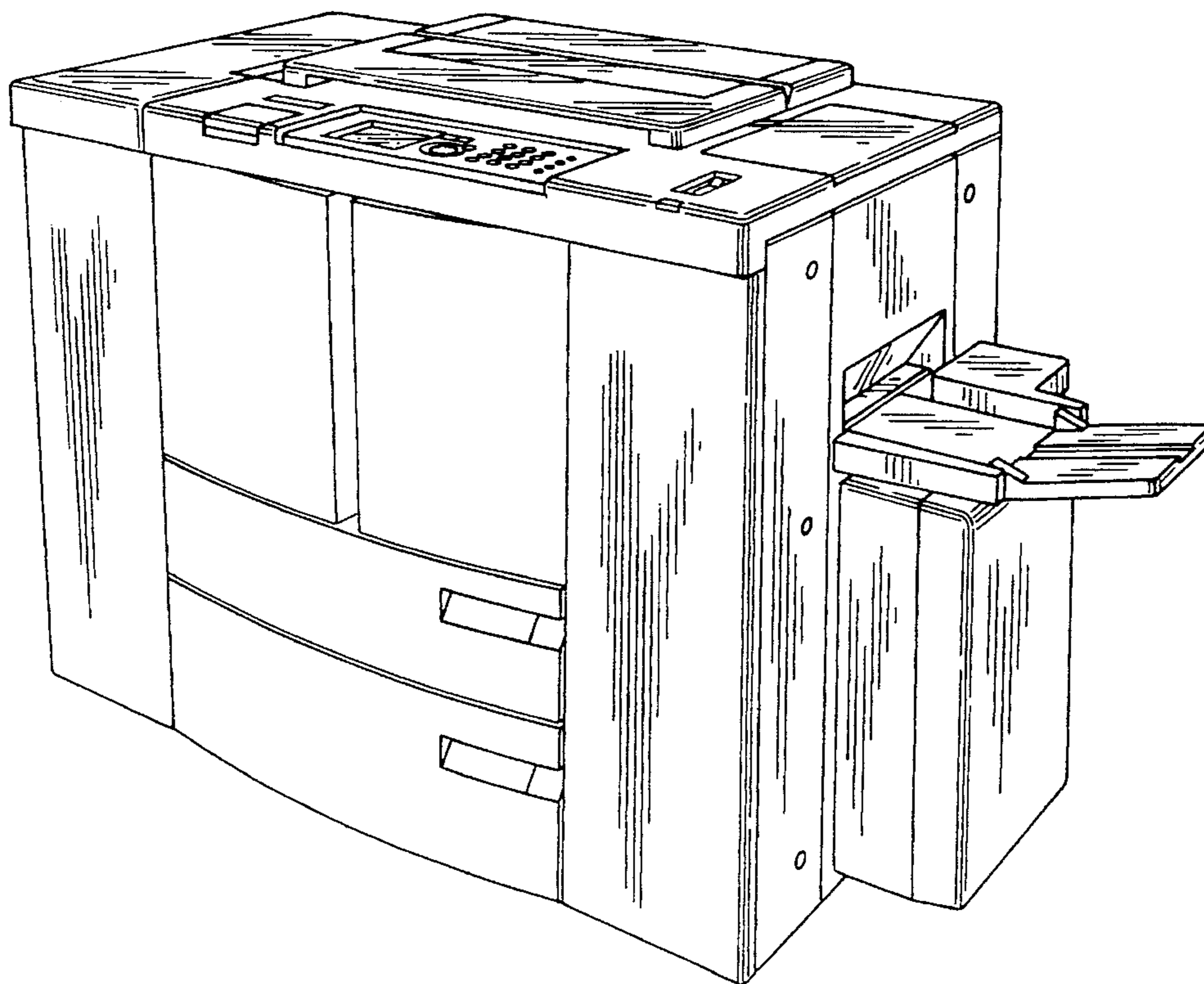


FIG. 1

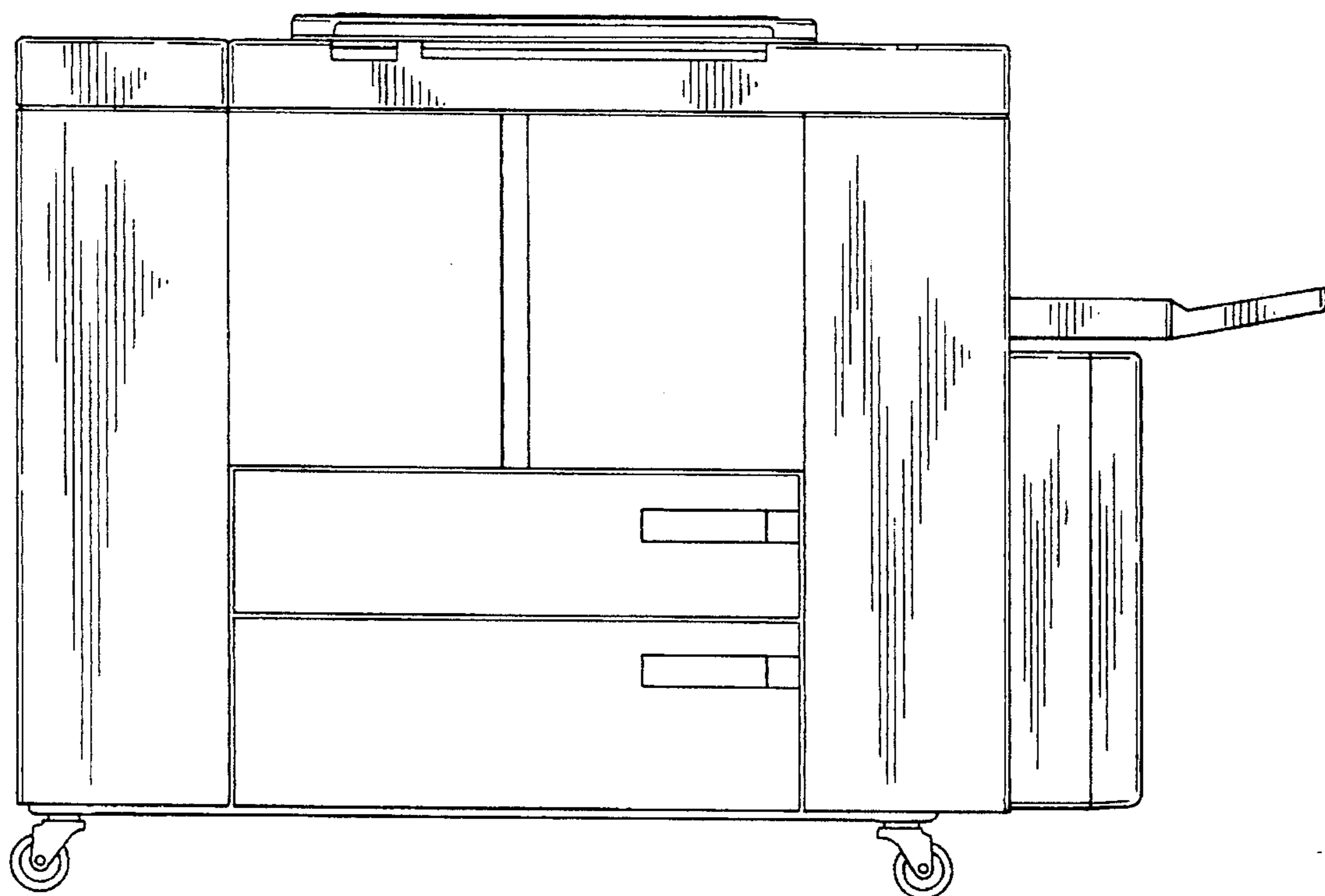


FIG. 2

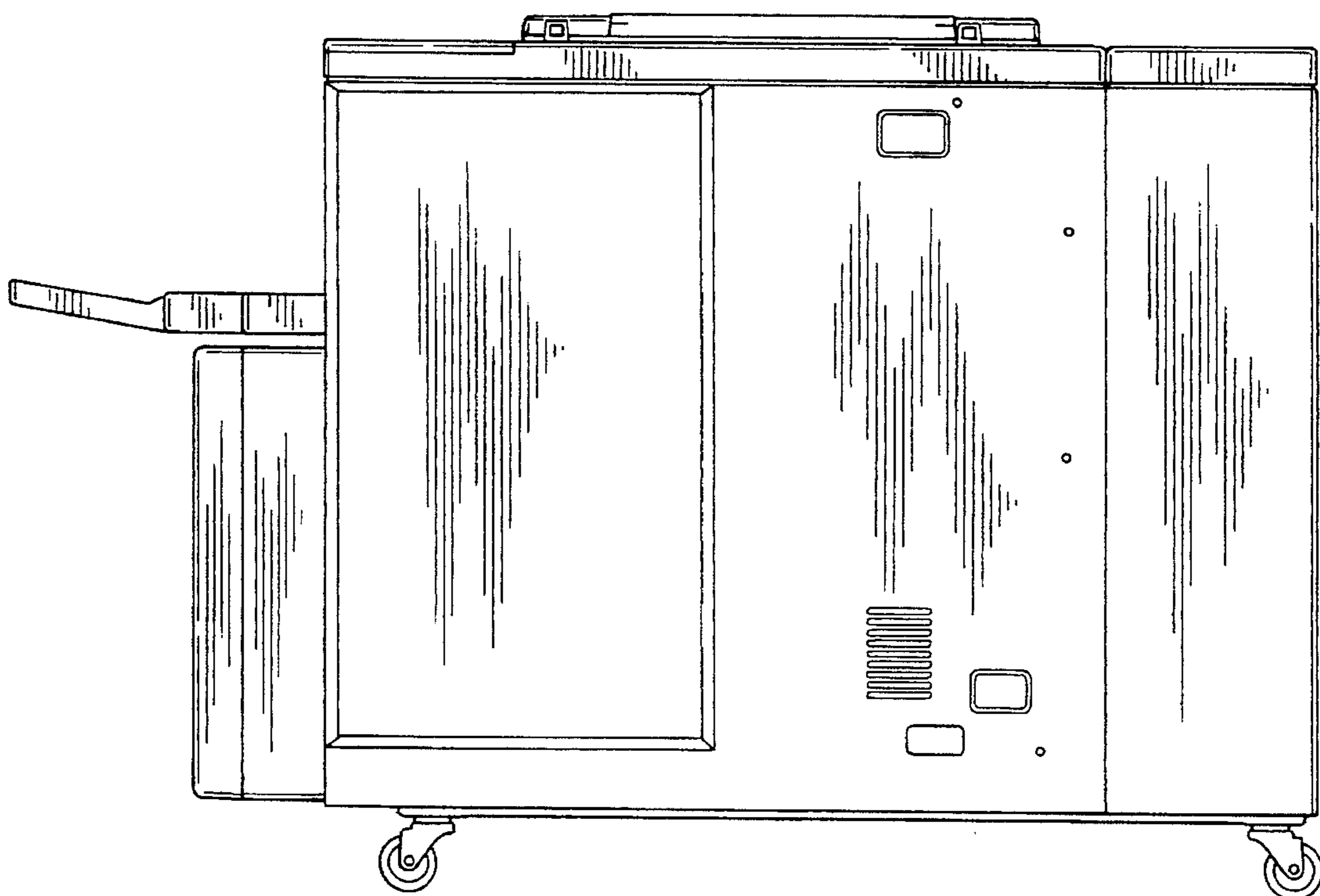


FIG. 3

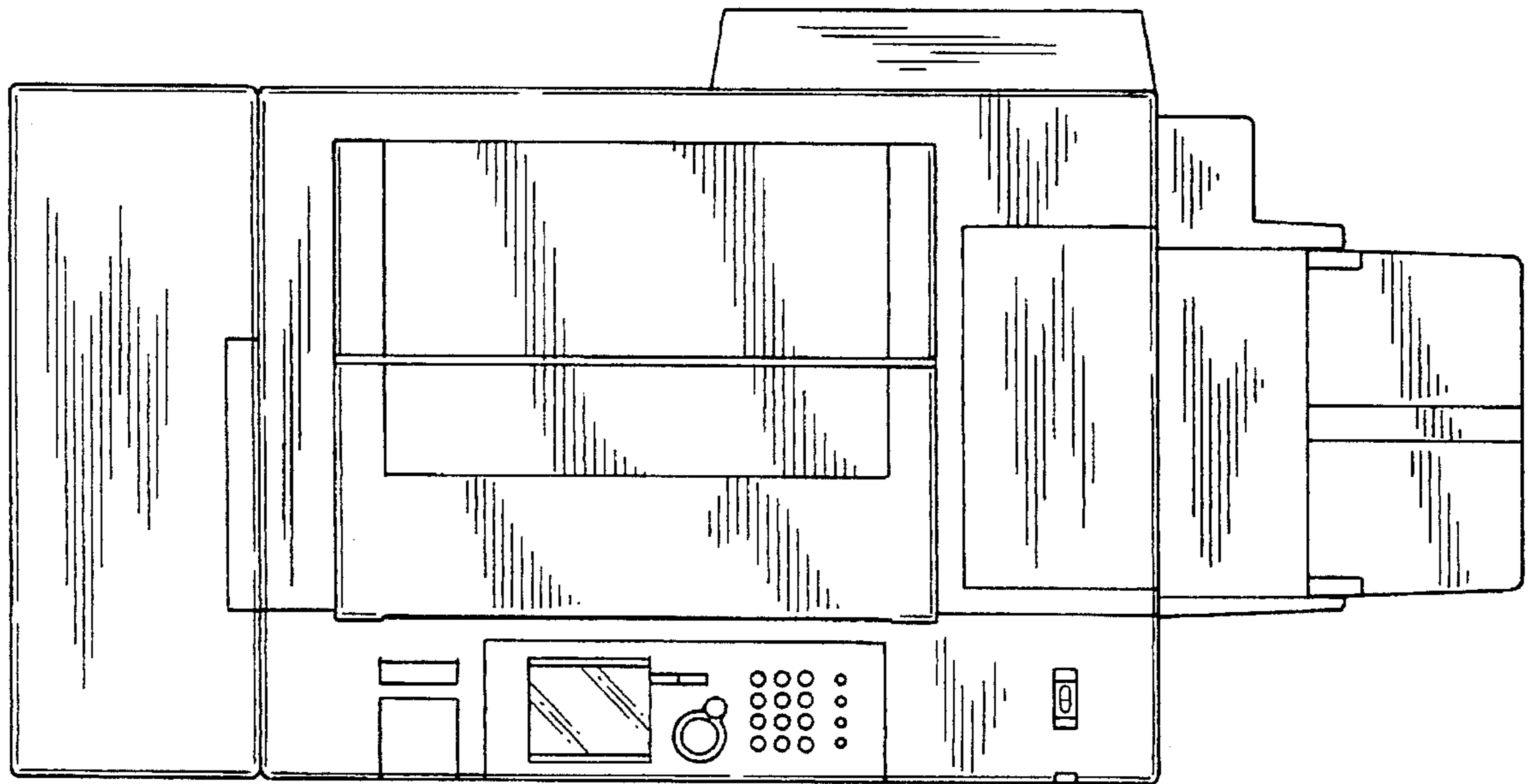


FIG. 4

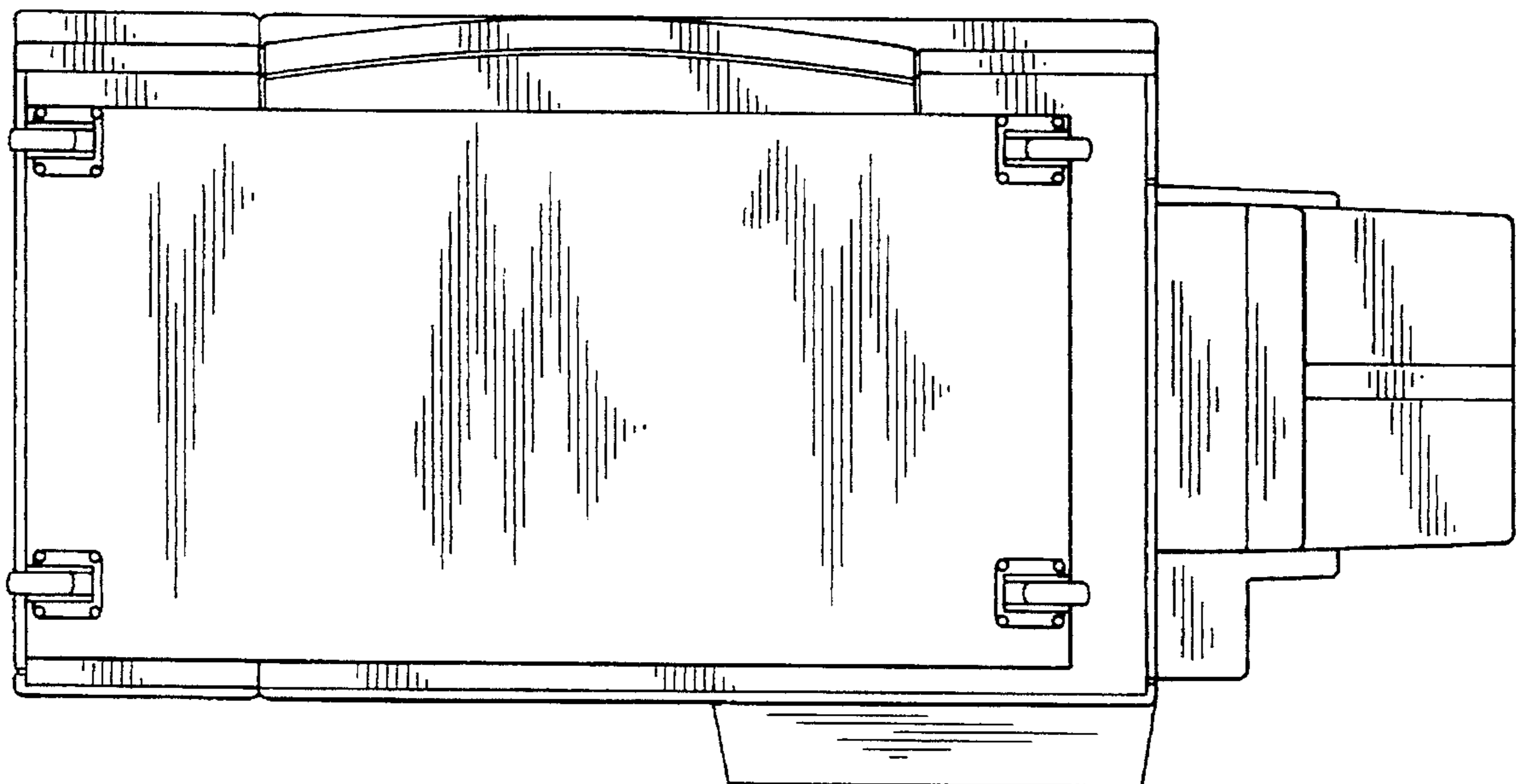


FIG. 5

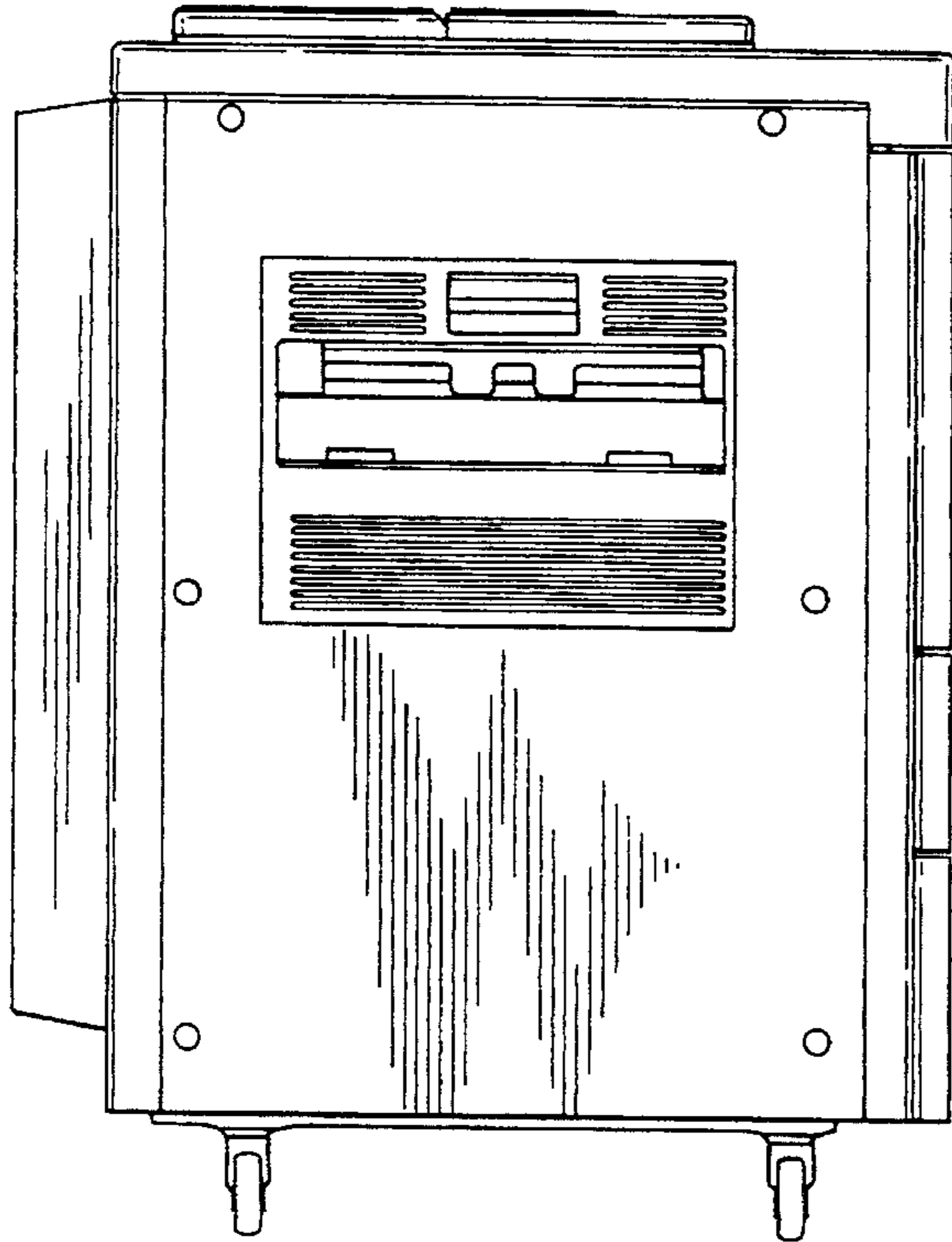


FIG. 6

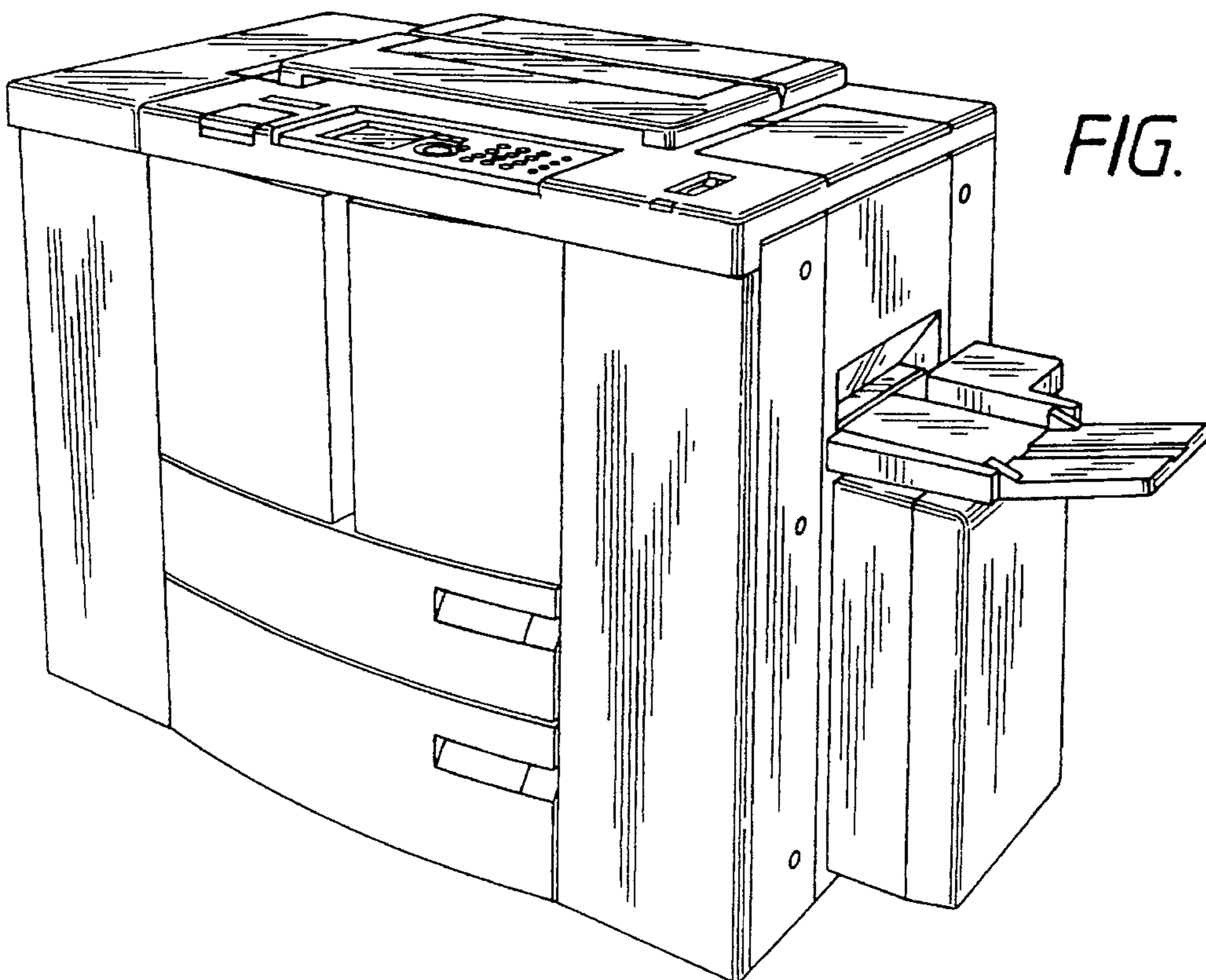
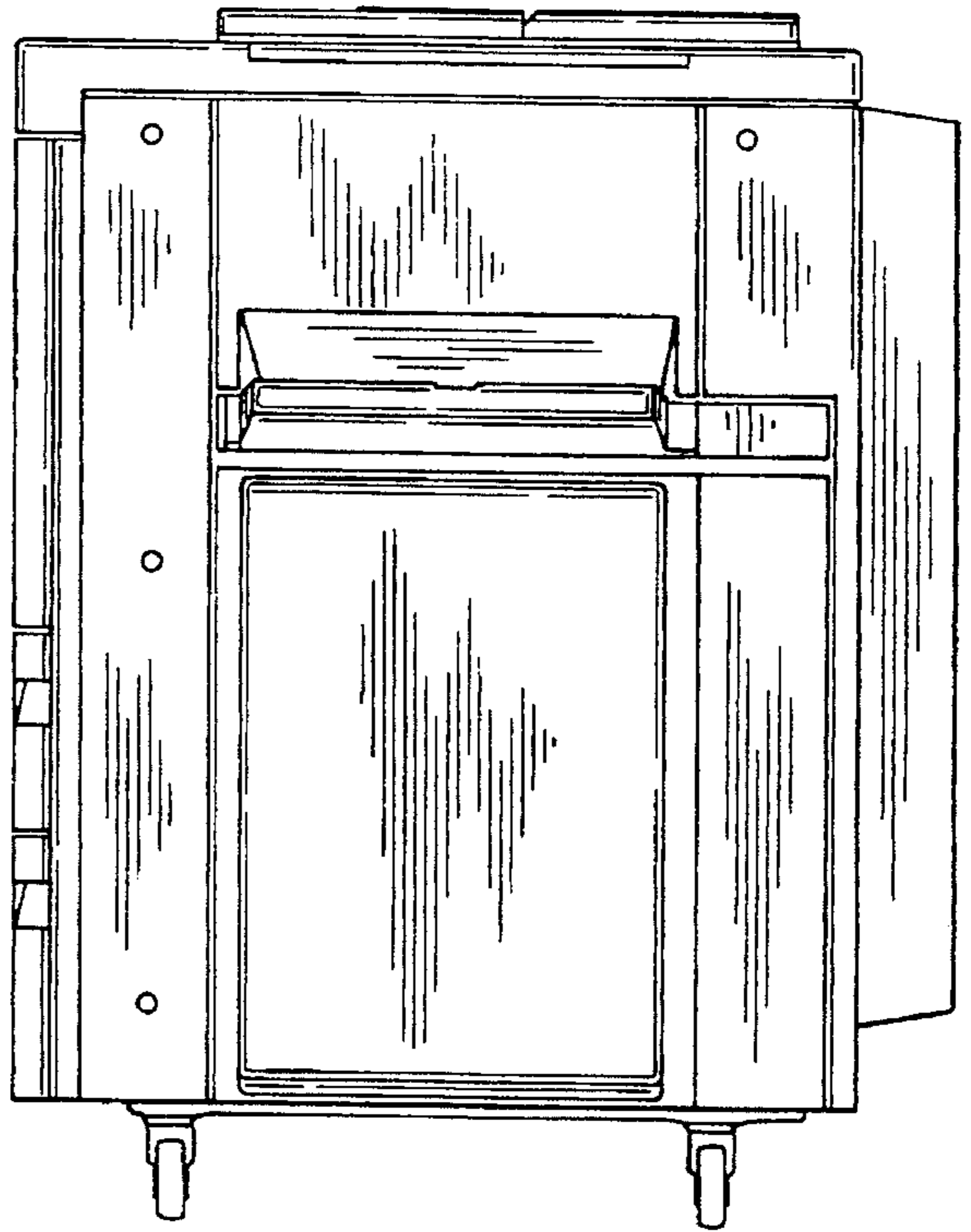


FIG. 7