



US00D374242S

**United States Patent** [19]  
**Yamanouchi**

[11] **Patent Number:** **Des. 374,242**  
[45] **Date of Patent:** **\*\*Oct. 1, 1996**

[54] **TELEVISION CAMERA BODY**

[75] Inventor: **Toshiyuki Yamanouchi**, Kawasaki,  
Japan  
[73] Assignee: **Kabushiki Kaisha Toshiba**, Kawasaki,  
Japan  
[\*\*] Term: **14 Years**  
[21] Appl. No.: **45,734**  
[22] Filed: **Oct. 27, 1995**

[30] **Foreign Application Priority Data**

Jun. 6, 1995 [JP] Japan ..... 7-16110  
[52] **U.S. Cl.** ..... **D16/202**  
[58] **Field of Search** ..... D16/200-205;  
348/207, 209, 143, 13-20; 354/81, 82,  
288, 293; 358/906, 909.1; 379/53, 54; H04N 5/225

[56] **References Cited**

**U.S. PATENT DOCUMENTS**

D. 355,205 2/1995 Yokoi ..... D16/202  
D. 356,098 3/1995 Tamura ..... D16/202  
D. 360,646 7/1995 Nomura ..... D16/202  
D. 367,488 2/1996 Takano ..... D16/202  
5,374,952 12/1994 Flohr ..... 348/15

**FOREIGN PATENT DOCUMENTS**

893650 3/1994 Japan .

**OTHER PUBLICATIONS**

Picture Tel Live PCS 50, Mar., 1995 (Specification Release 1.0) p. 1.  
Cannon, VC-C1, May 20, 1994.  
Elecom, CDV-T1, Jun. 29, 1994.  
Indy, Jun. 29, 1994.

*Primary Examiner*—Ted Shooman  
*Assistant Examiner*—Adir Aronovich  
*Attorney, Agent, or Firm*—Oblon, Spivak, McClelland,  
Maier & Neustadt, P.C.

[57] **CLAIM**

The ornamental design for a television camera body, as shown and described.

**DESCRIPTION**

FIG. 1 is a front, top and right side perspective view of a television camera body, showing my new design;  
FIG. 2 is a front elevational view thereof;  
FIG. 3 is a rear elevational view thereof;  
FIG. 4 is a right side elevational view thereof, the undisclosed left side being a mirror image thereof;  
FIG. 5 is a top plan view thereof;  
FIG. 6 is a bottom plan view thereof; and,  
FIG. 7 is a perspective view showing the camera body tilted with a lense cover closed.

**1 Claim, 2 Drawing Sheets**

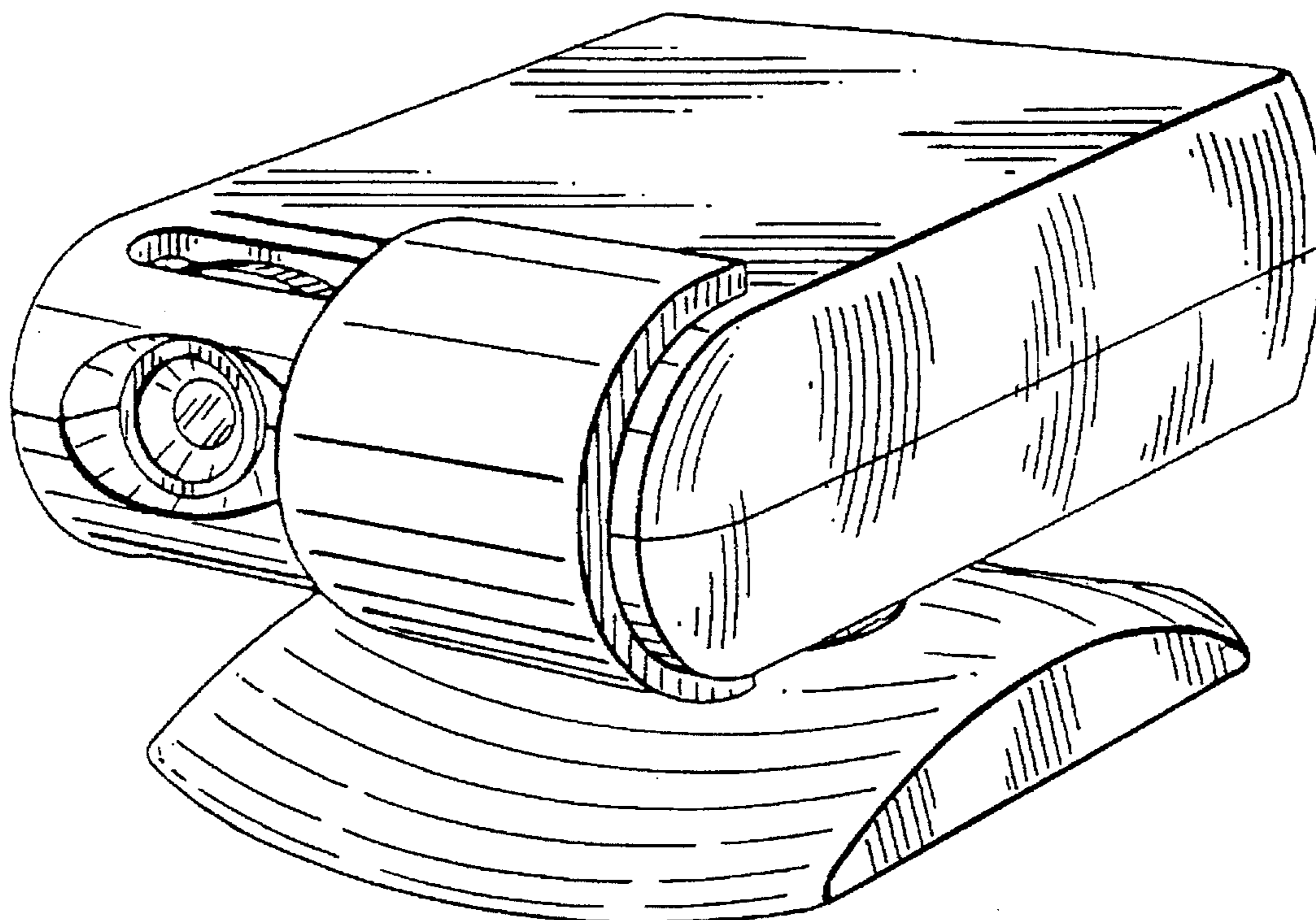


FIG. 1

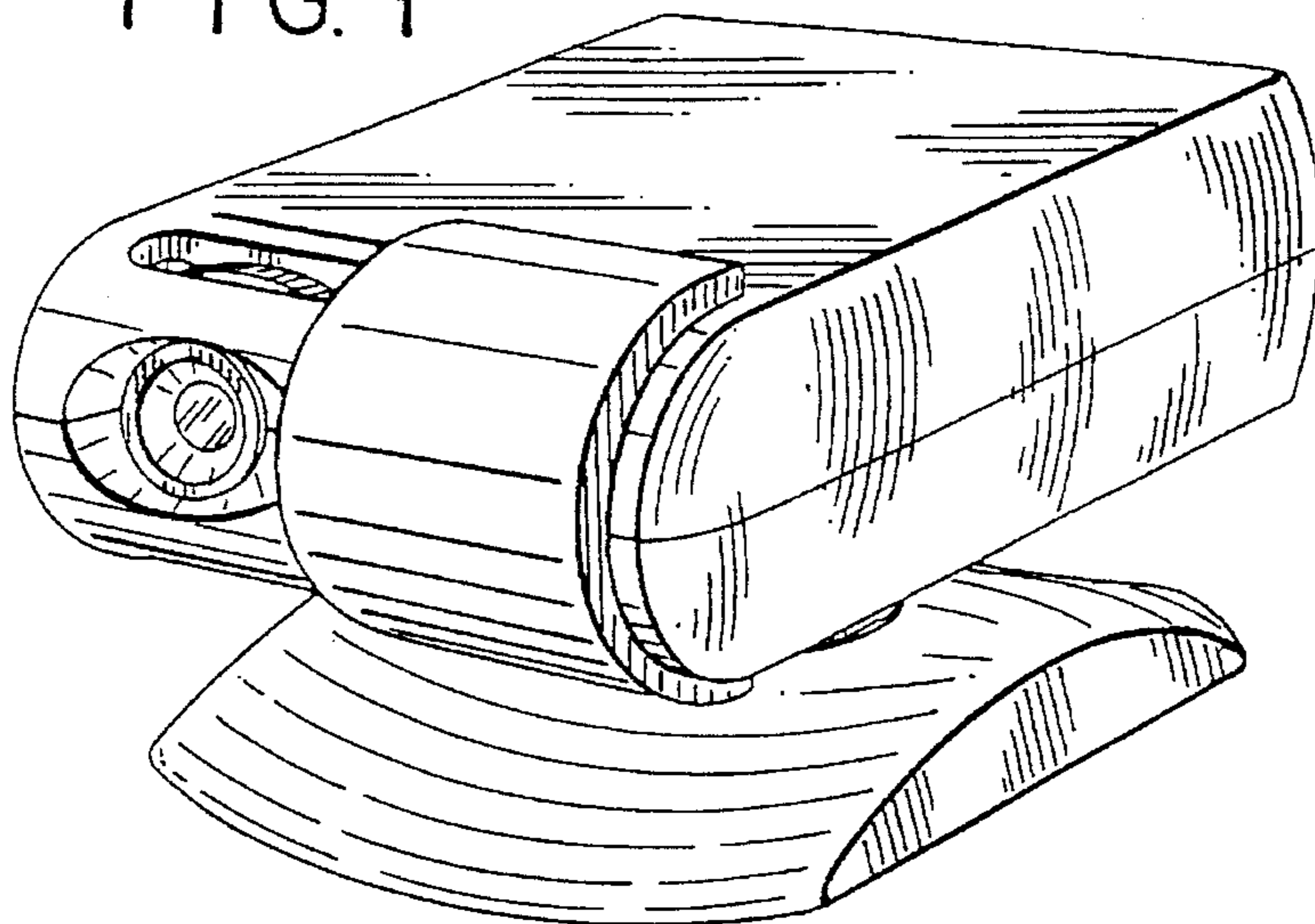


FIG. 2

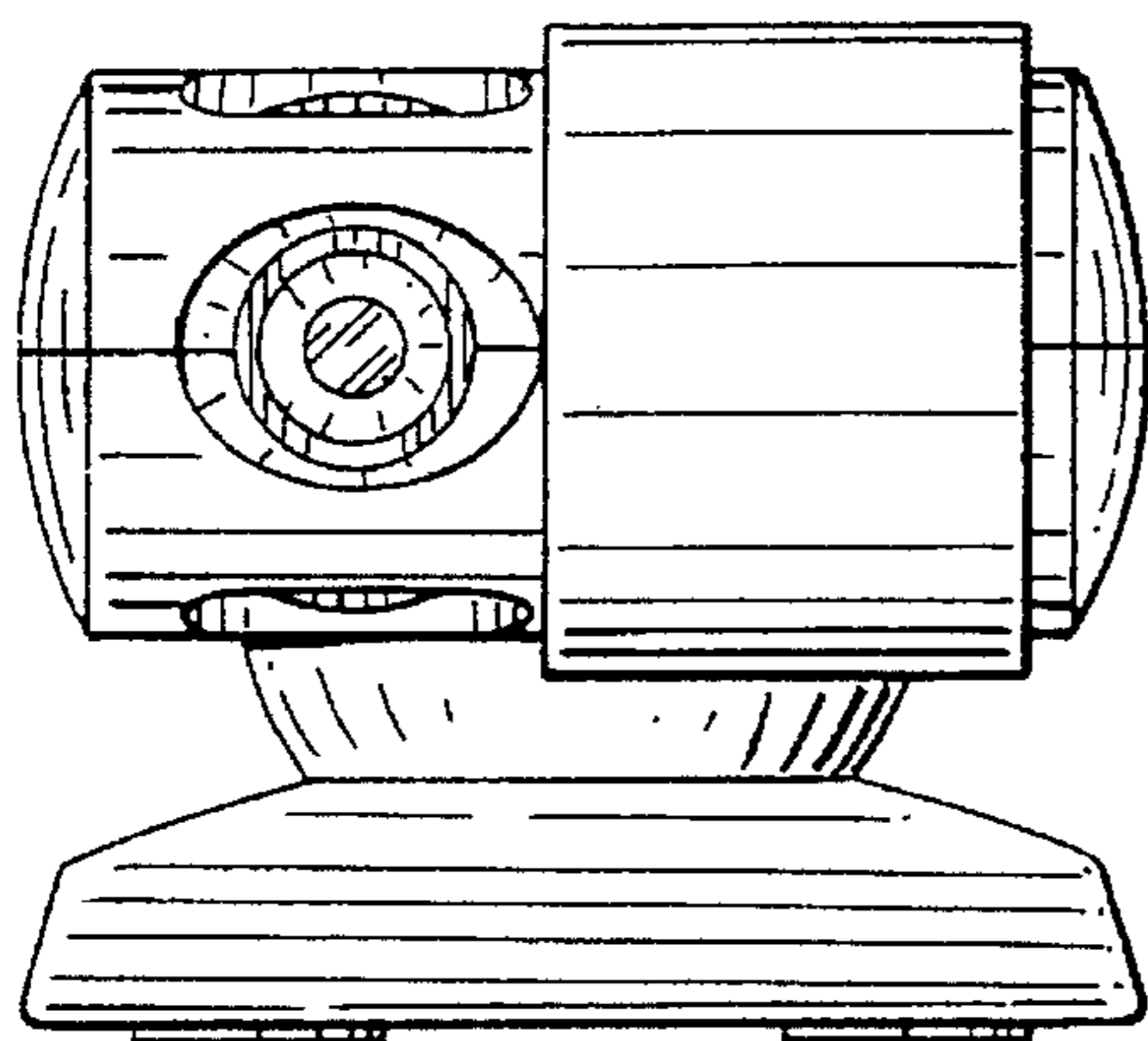


FIG. 3

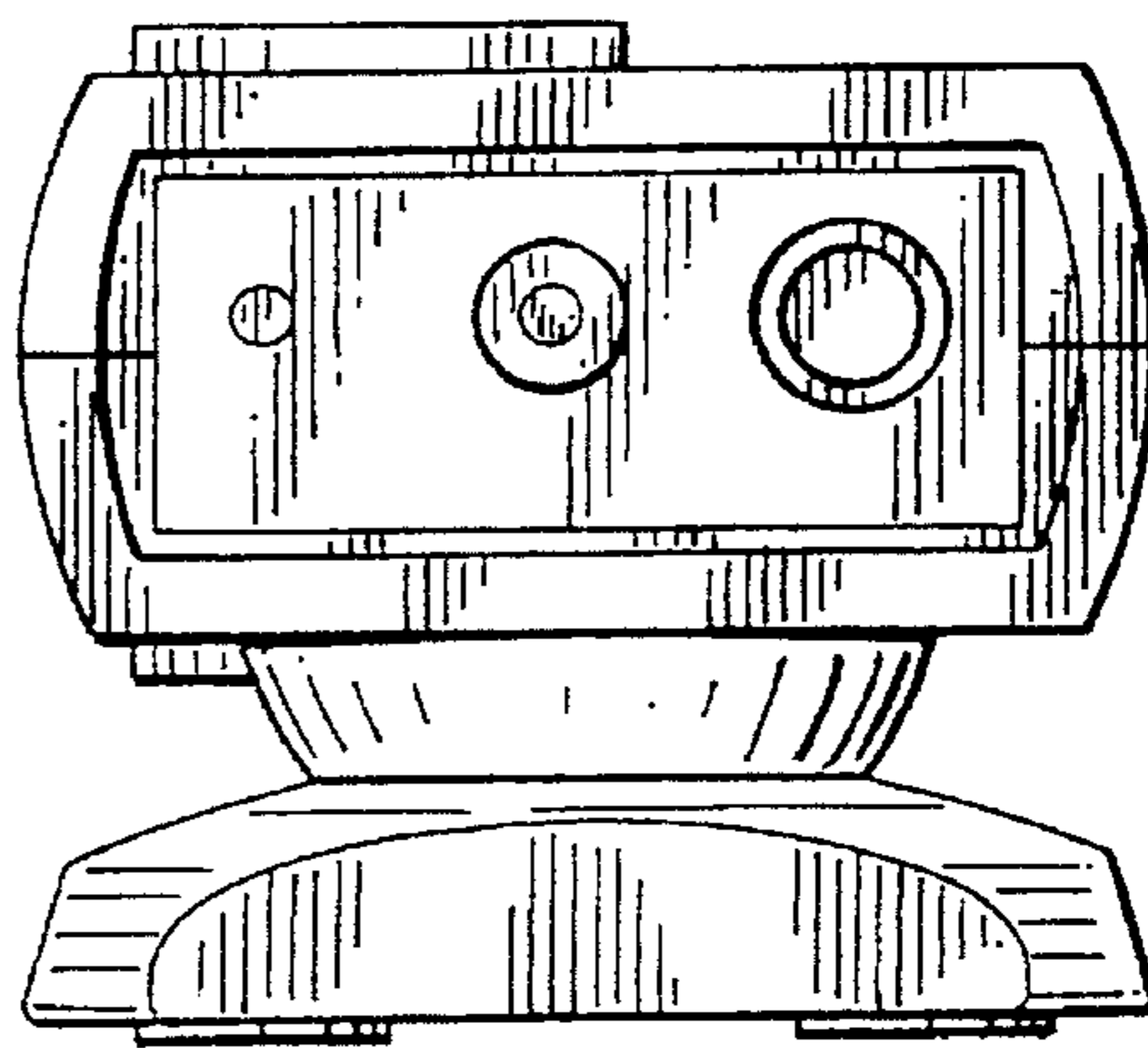


FIG. 4

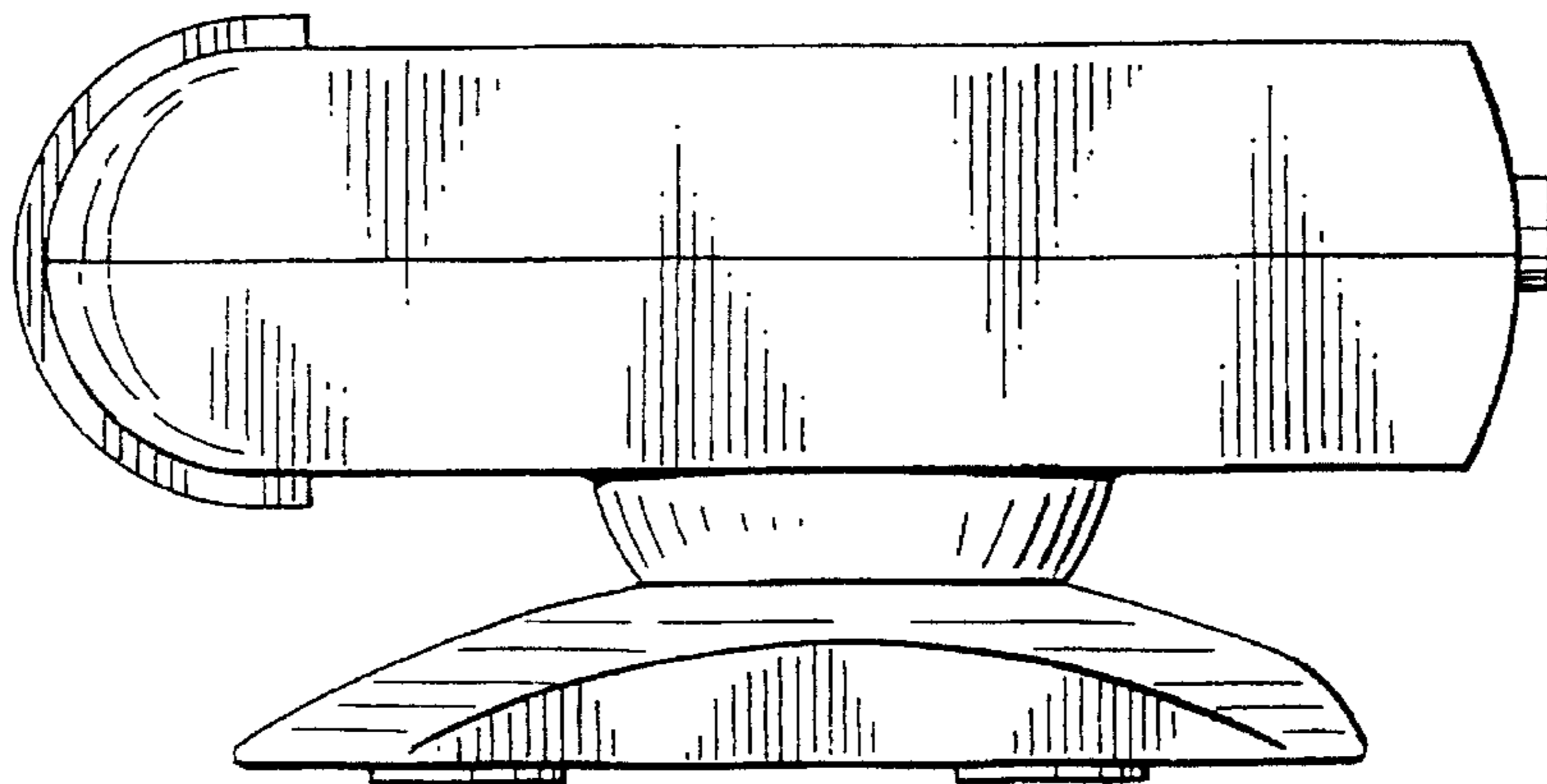


FIG. 5

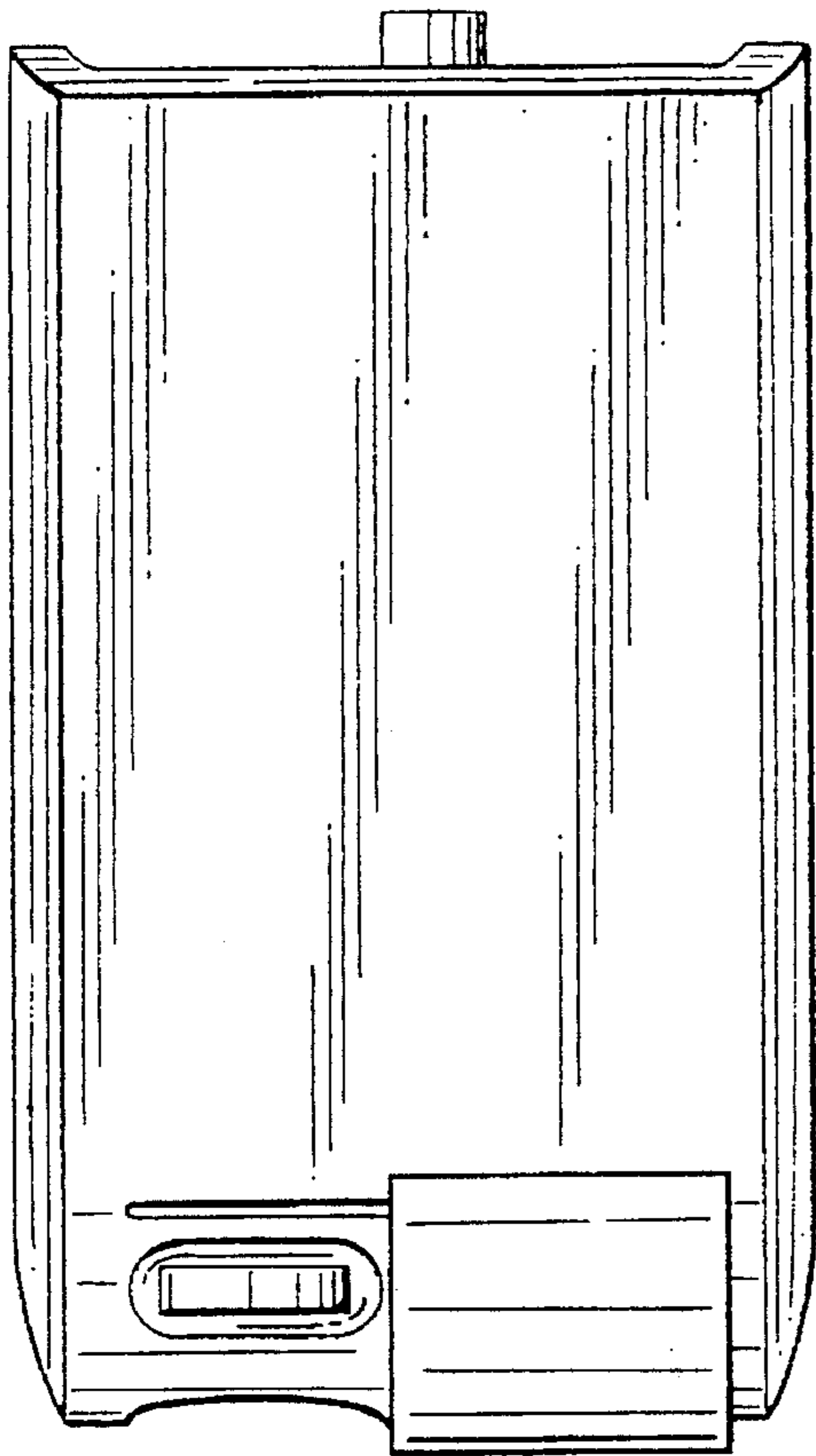


FIG. 6

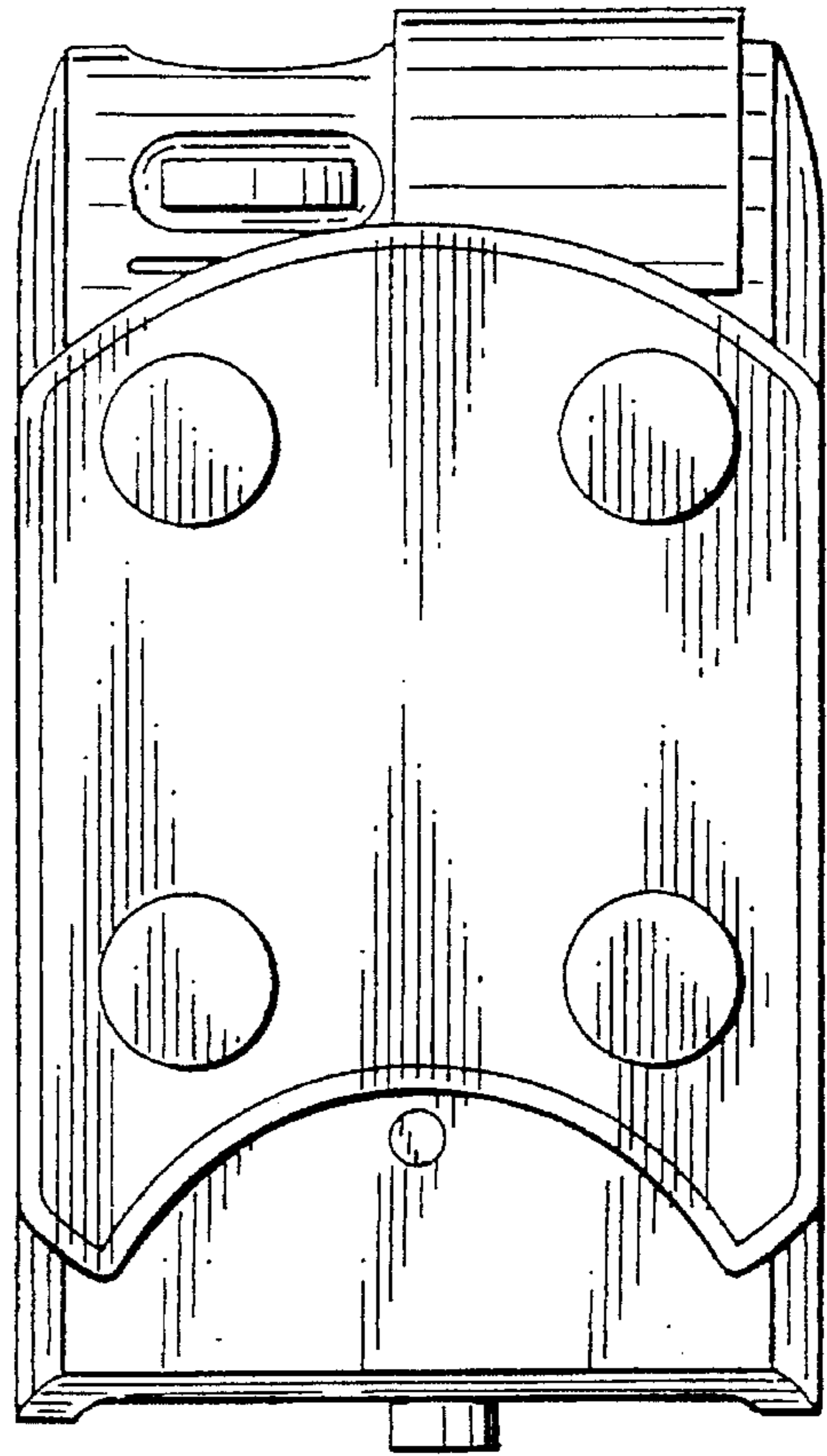


FIG. 7

