



US00D374240S

United States Patent [19]

Nagasawa

[11] Patent Number: **Des. 374,240**

[45] Date of Patent: ****Oct. 1, 1996**

[54] **CYLINDER AND A TABLE FOR DISPLACING A PISTON IN THE CYLINDER**

5,342,127 8/1994 Arani 384/45

[75] Inventor: **Yukio Nagasawa**, Ibaraki-ken, Japan

Primary Examiner—Antoine Duval Davis
Attorney, Agent, or Firm—Oblon, Spivak, McClelland, Maier & Neustadt, P.C

[73] Assignee: **SMC Kabushiki Kaisha**, Tokyo, Japan

[**] Term: **14 Years**

[57] **CLAIM**

[21] Appl. No.: **39,455**

The ornamental design for cylinder and a table for displacing a piston in the cylinder, as shown and described.

[22] Filed: **May 31, 1995**

DESCRIPTION

[30] **Foreign Application Priority Data**

FIG. 1 is a top plan view of cylinder and a table for displacing a piston in the cylinder, showing my new design; FIG. 2 is a front view thereof, the rear view being a mirror image of the front view shown; FIG. 3 is a bottom view thereof; FIG. 4 is a left side view thereof; FIG. 5 is a right side view thereof; and, FIG. 6 is a perspective view thereof.

Dec. 28, 1994 [JP] Japan 6-40055

[52] U.S. Cl. **D15/143; D15/199**

[58] Field of Search D15/199, 148, D15/143; 384/12, 45, 100, 907, 15

[56] **References Cited**

U.S. PATENT DOCUMENTS

5,295,748 3/1994 Yamazaki 384/45

1 Claim, 3 Drawing Sheets

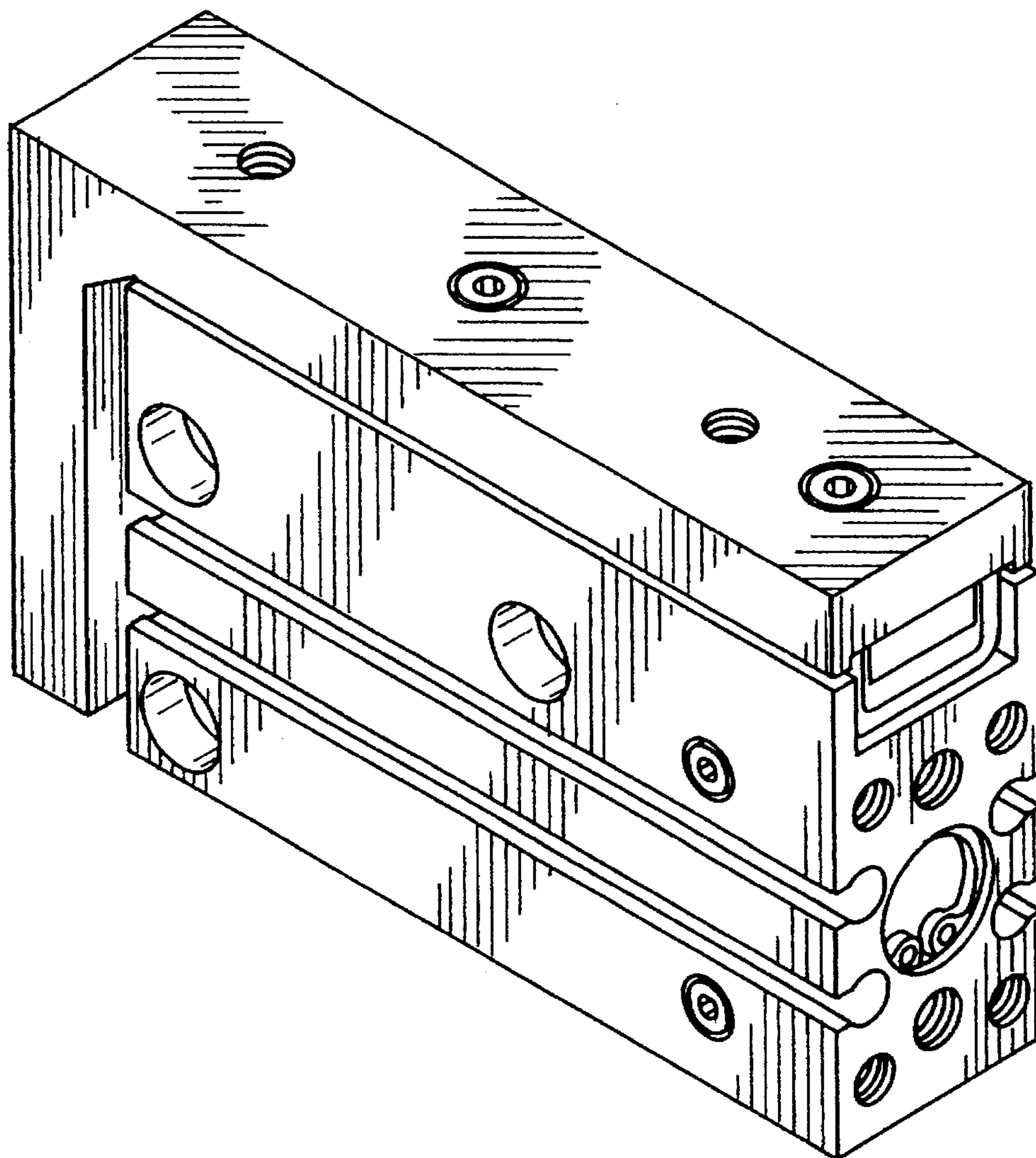


FIG. 1

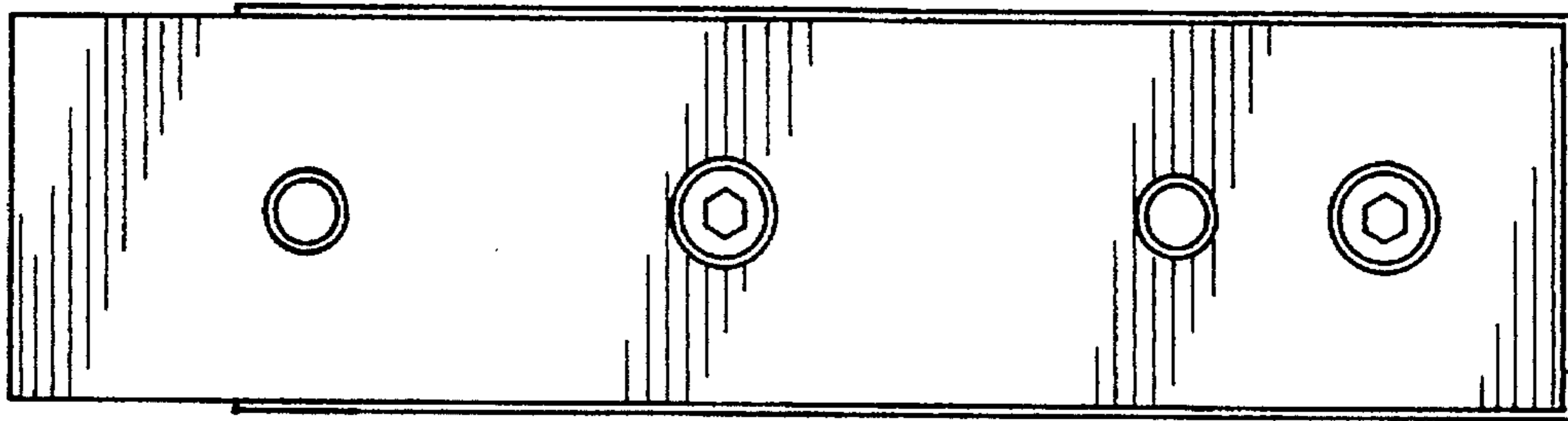


FIG. 2

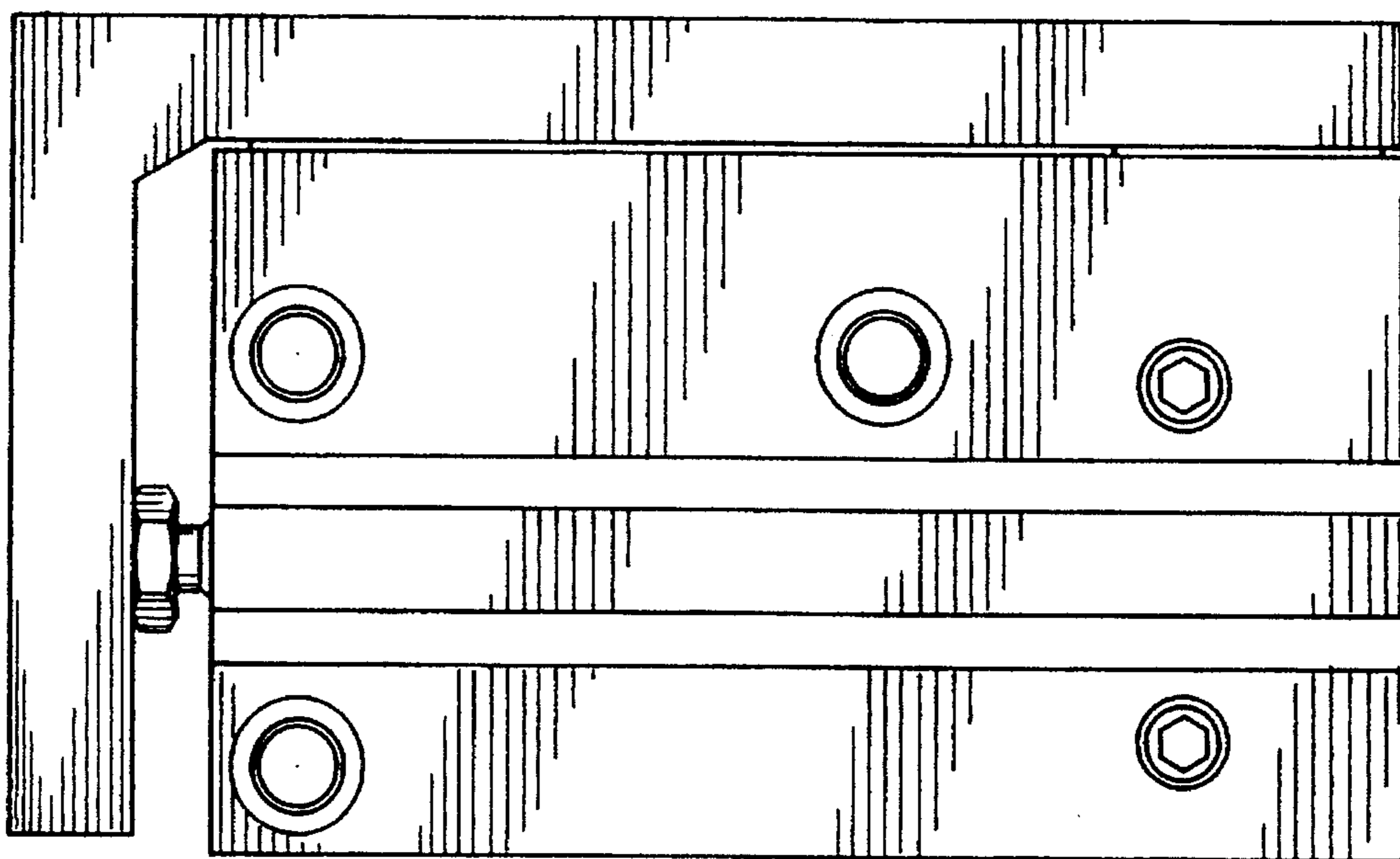


FIG. 3

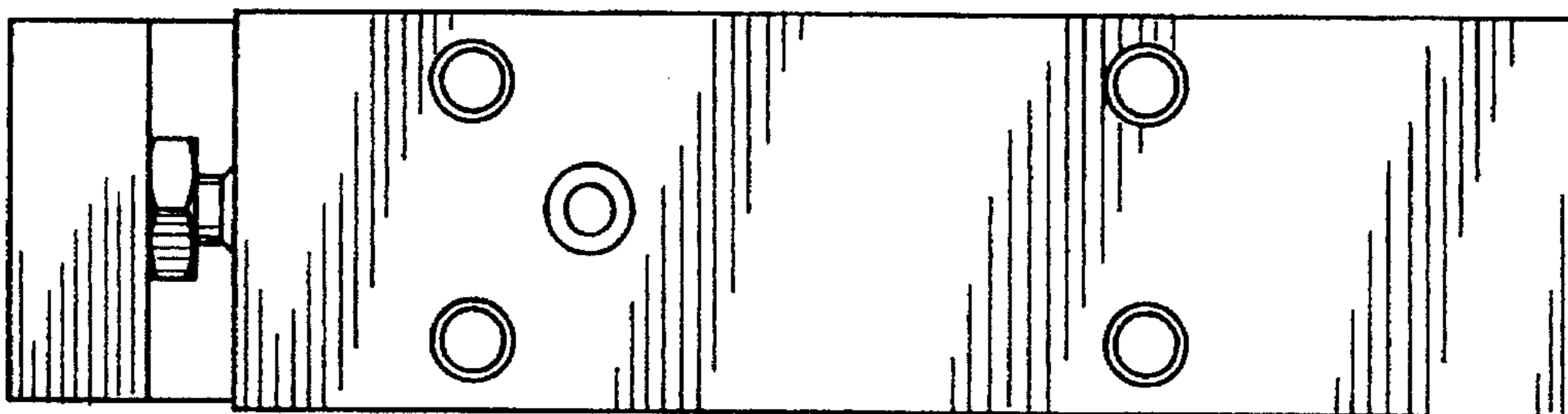


FIG. 4

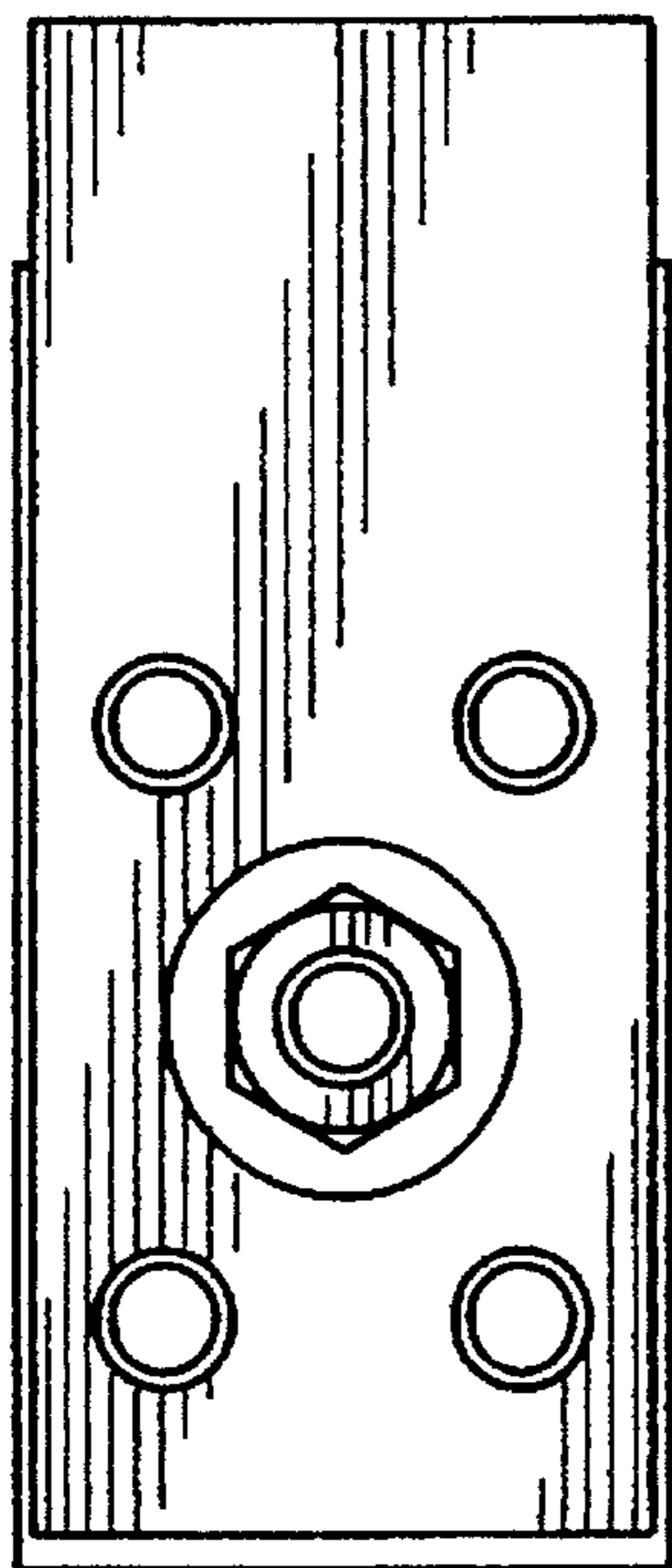


FIG. 5

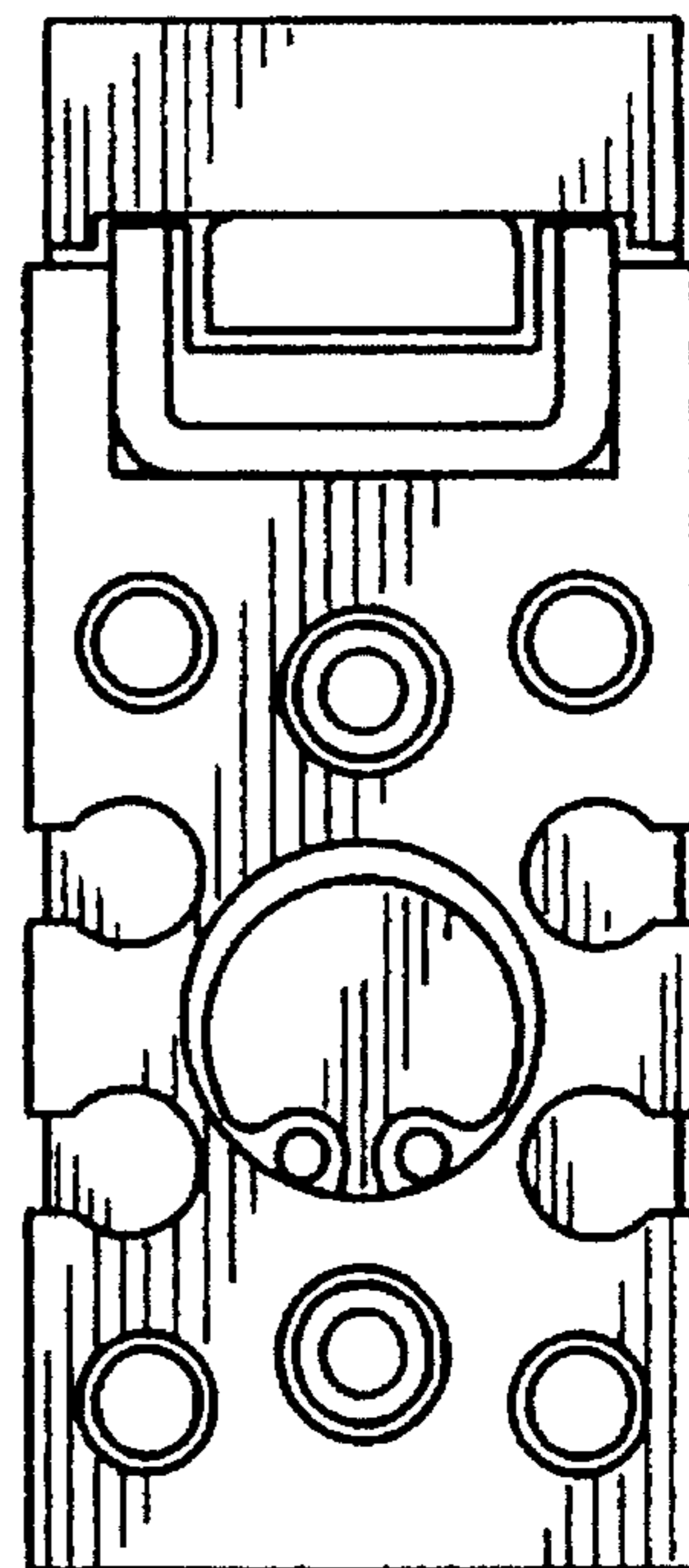


FIG. 6

