



US00D374231S

United States Patent [19]

Matsuzaka

[11] Patent Number: **Des. 374,231**

[45] Date of Patent: ****Oct. 1, 1996**

[54] **TAPE PLAYER COMBINED WITH A RADIO RECEIVER**

[75] Inventor: **Yozo Matsuzaka**, Tokyo, Japan

[73] Assignee: **Sony Corporation**, Tokyo, Japan

[**] Term: **14 Years**

[21] Appl. No.: **35,116**

[22] Filed: **Feb. 21, 1995**

[52] U.S. Cl. **D14/163**

[58] Field of Search D14/124, 154,
D14/160-168, 188-190, 192-198, 217,
257, 260, 299; 455/344, 350-351

[56] **References Cited**

U.S. PATENT DOCUMENTS

D. 313,020	12/1990	Ichikawa	D14/156 X
D. 320,017	9/1991	Ikeyama et al.	D14/163 X
D. 338,008	8/1993	Nakayama	D14/188 X
D. 352,714	11/1994	Ichikawa et al.	D14/188

Primary Examiner—Sandra L. Morris
Assistant Examiner—Nanda Bondade
Attorney, Agent, or Firm—Beveridge, DeGrandi, Weilacher & Young LLP

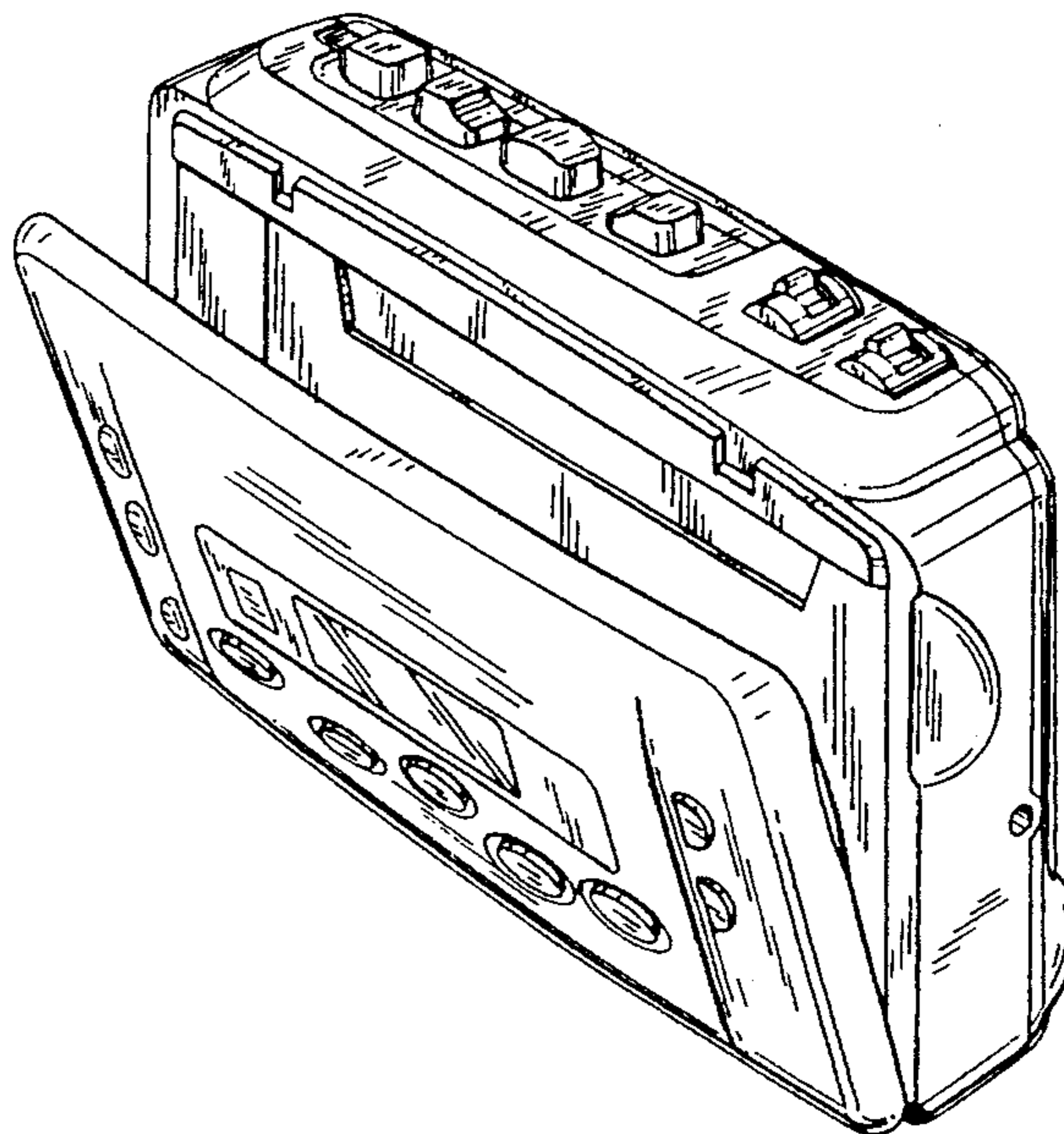
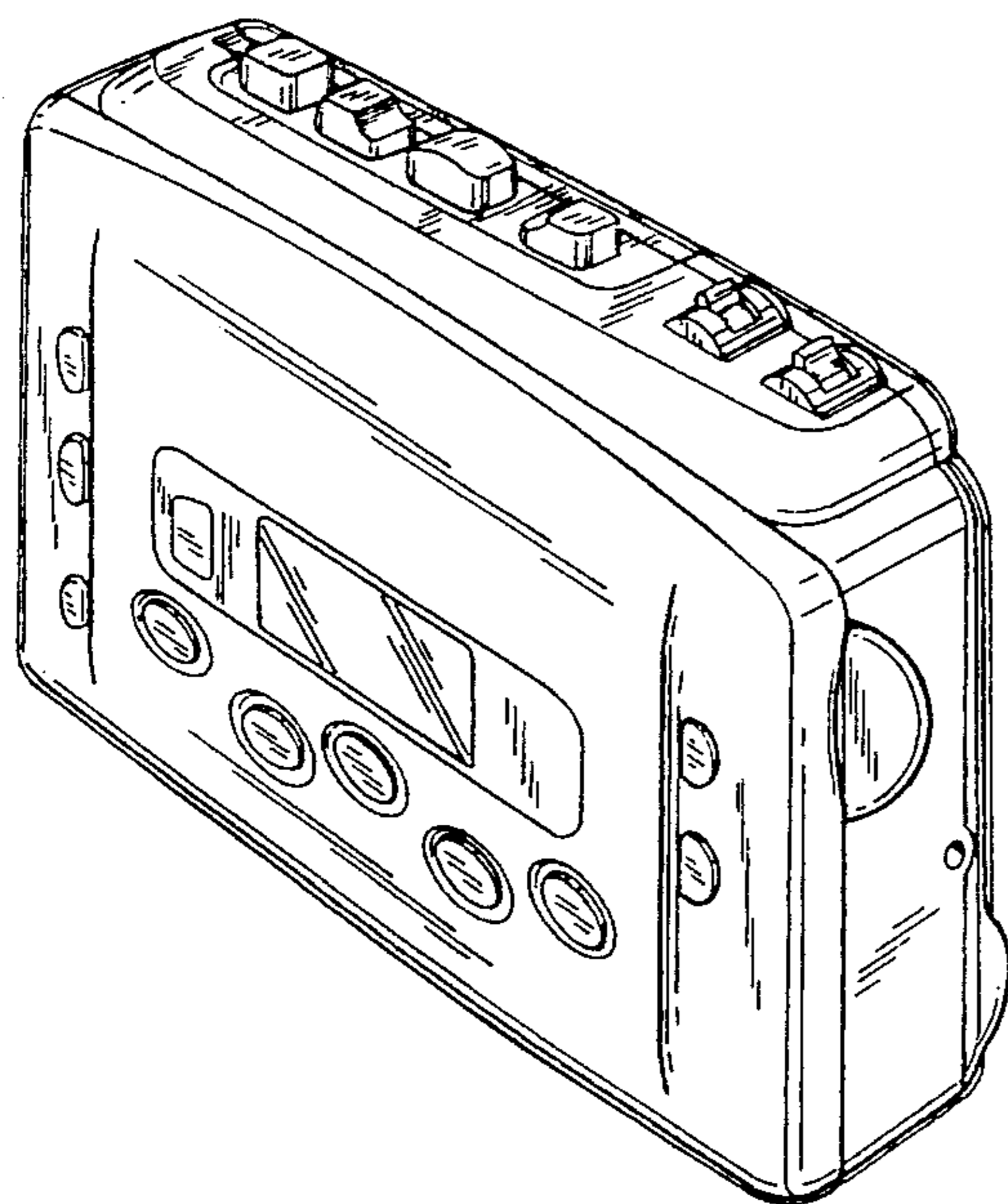
[57] **CLAIM**

The ornamental design for a tape player combined with a radio receiver, as shown and described.

DESCRIPTION

FIG. 1 is a perspective view of a tape player combined with a radio receiver showing my new design;
FIG. 2 is a perspective view thereof, with the cover shown in an open position;
FIG. 3 is a top plan view thereof;
FIG. 4 is a front elevational view thereof;
FIG. 5 is a bottom plan view thereof;
FIG. 6 is a left side elevational view thereof;
FIG. 7 is a right side elevational view thereof; and,
FIG. 8 is a rear elevational view thereof.

1 Claim, 3 Drawing Sheets



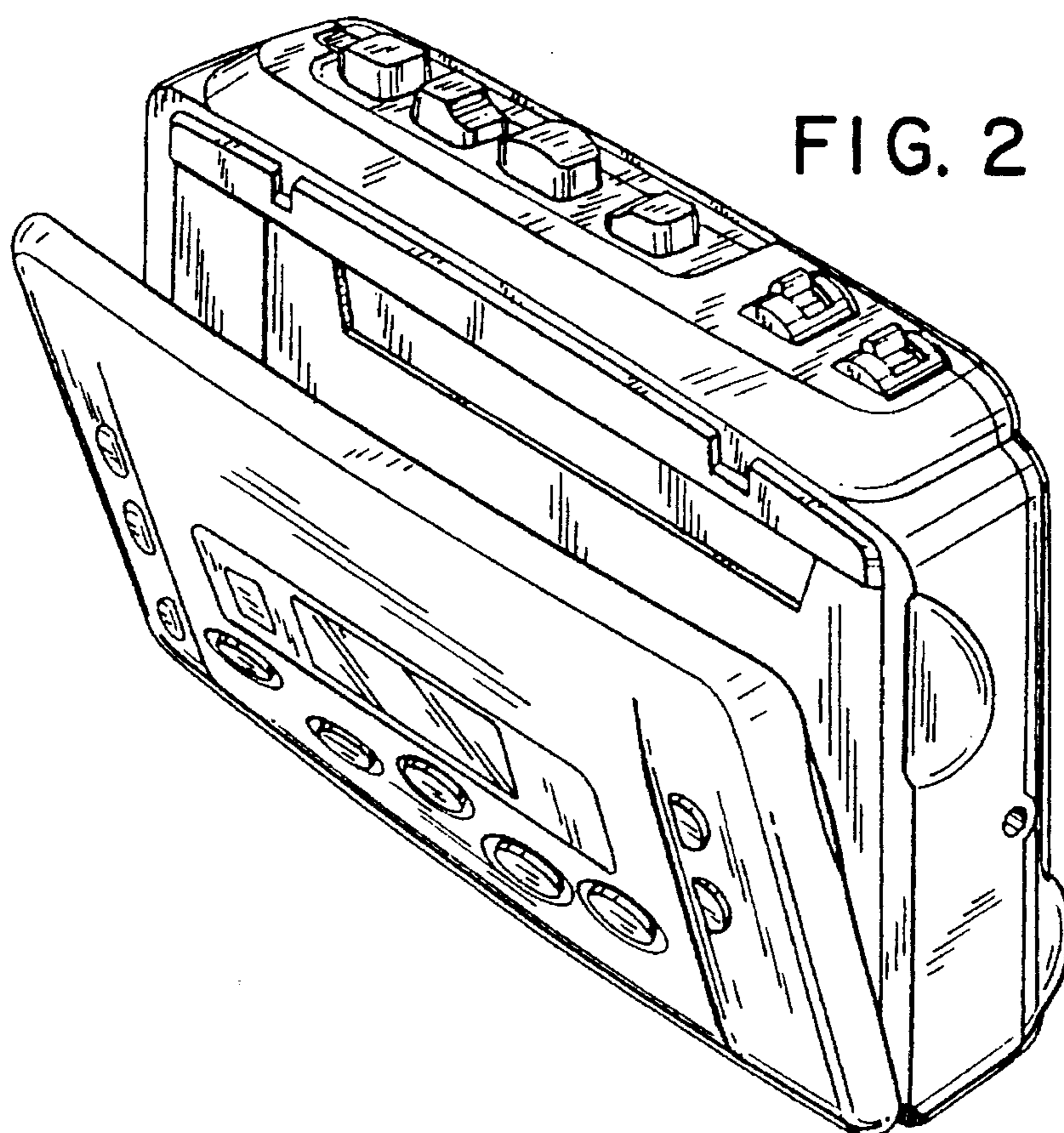
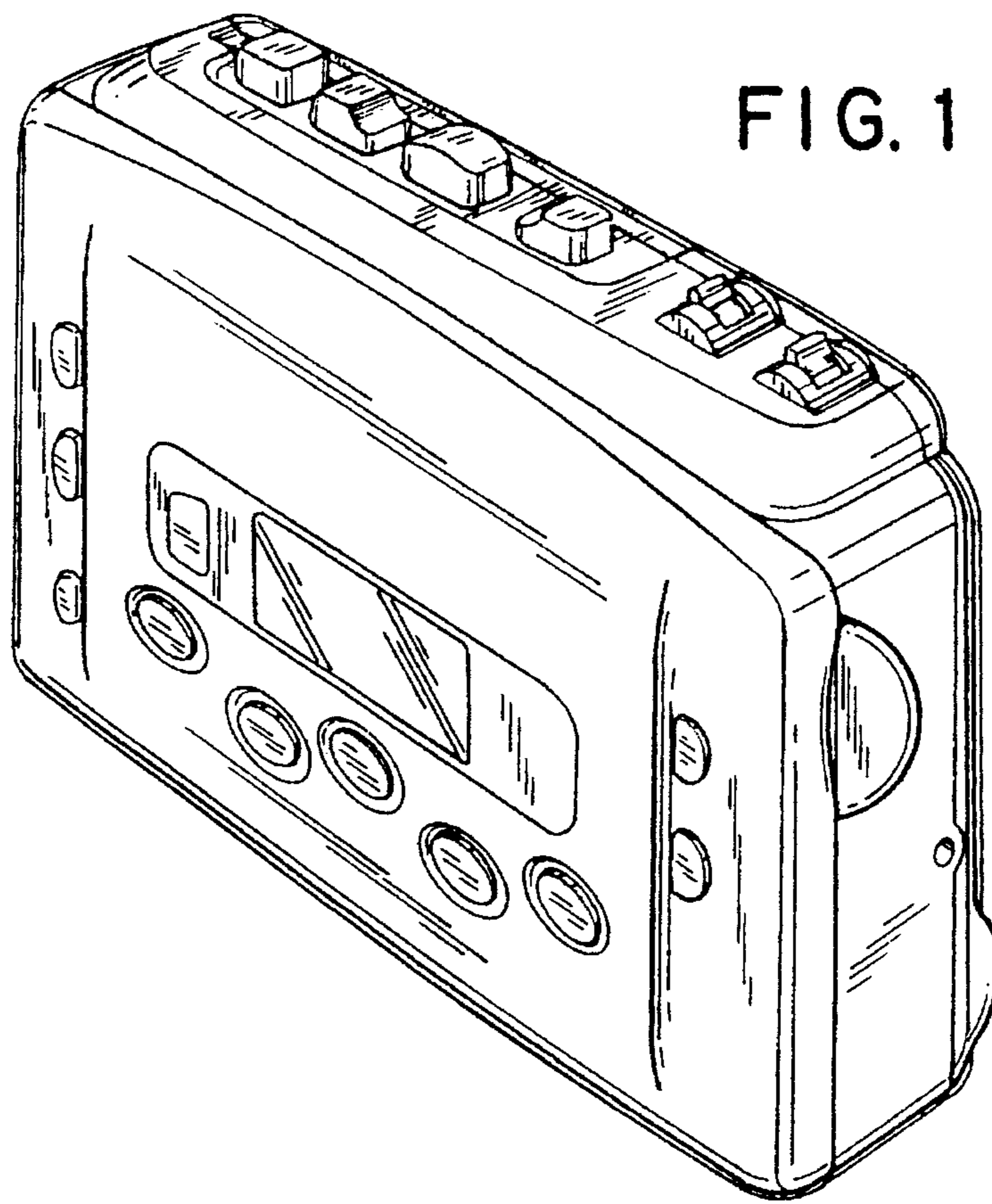


FIG. 3

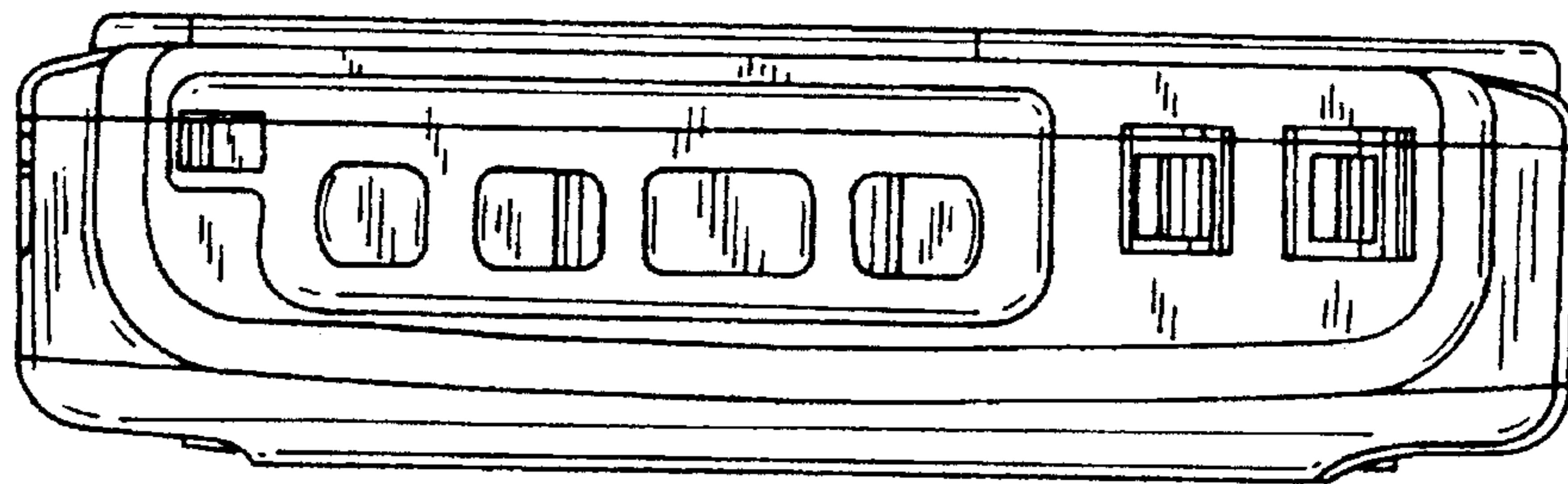


FIG. 4

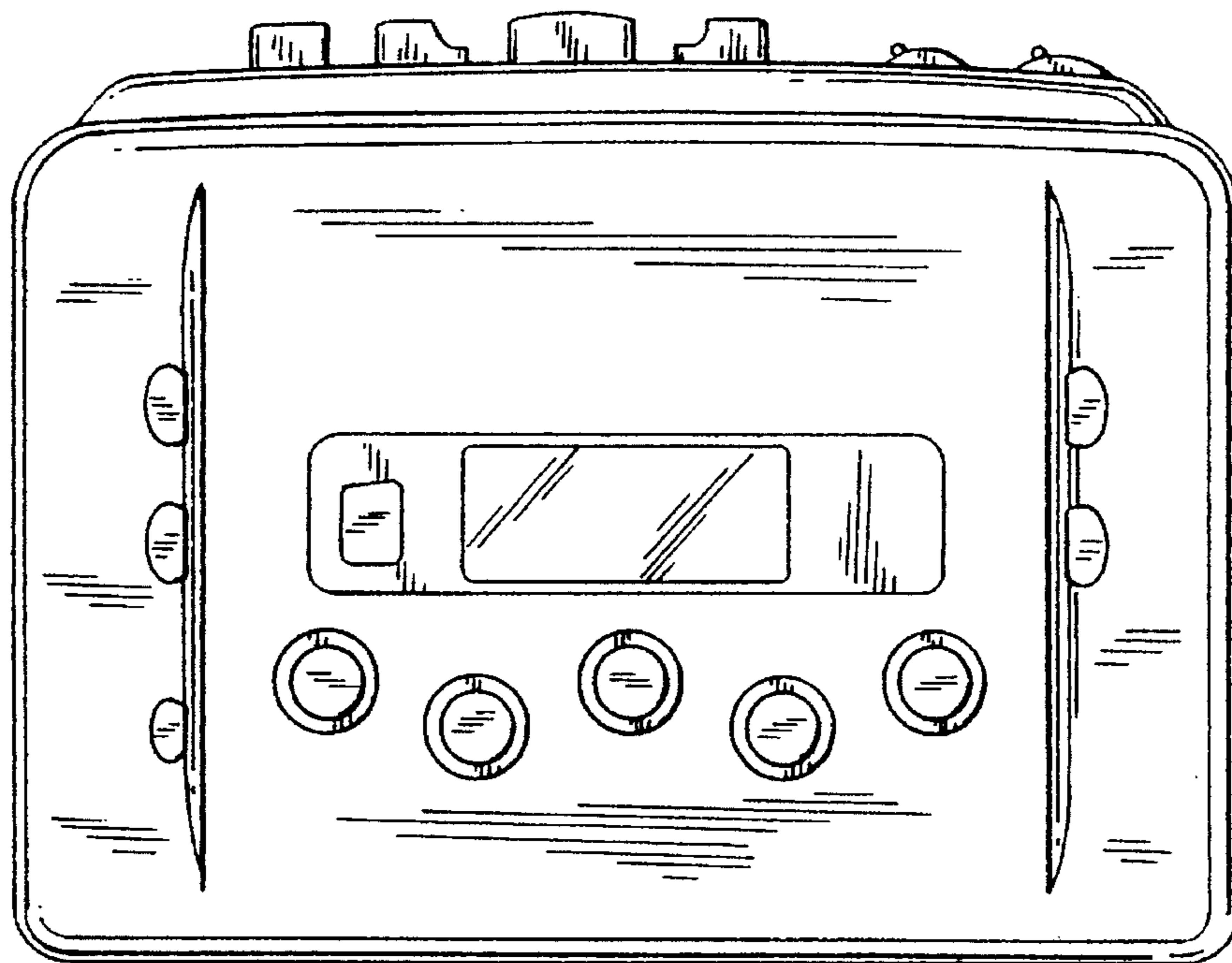


FIG. 5

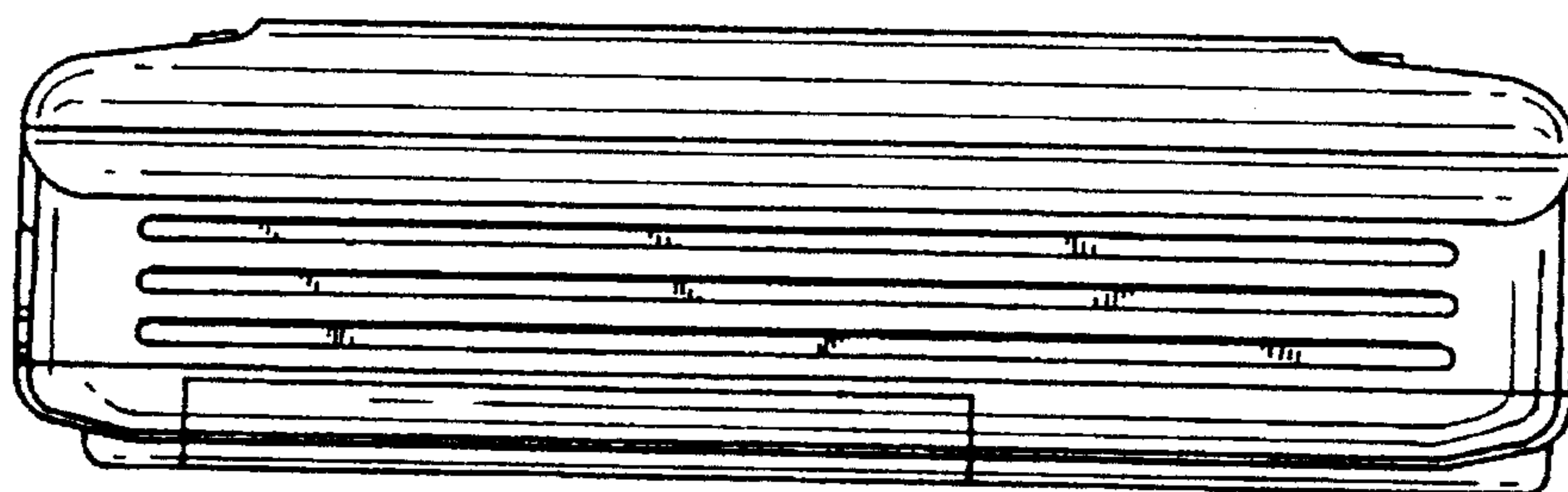


FIG. 6

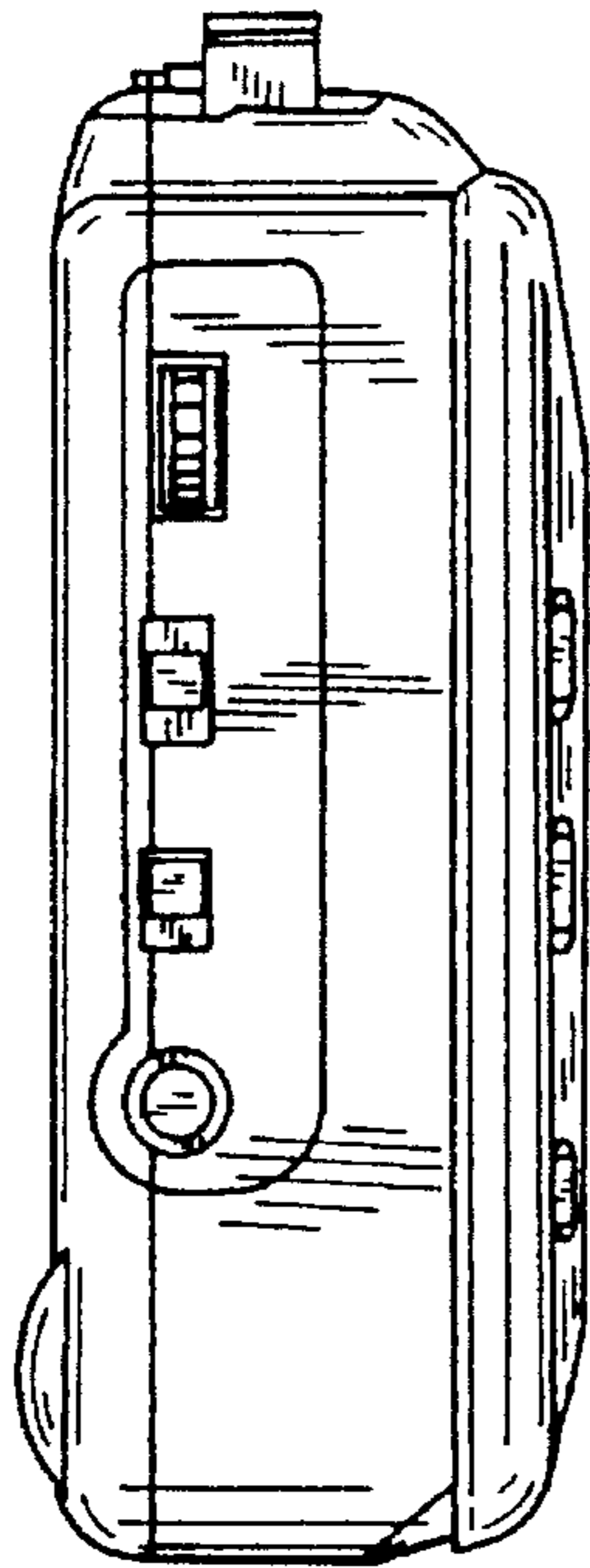


FIG. 7

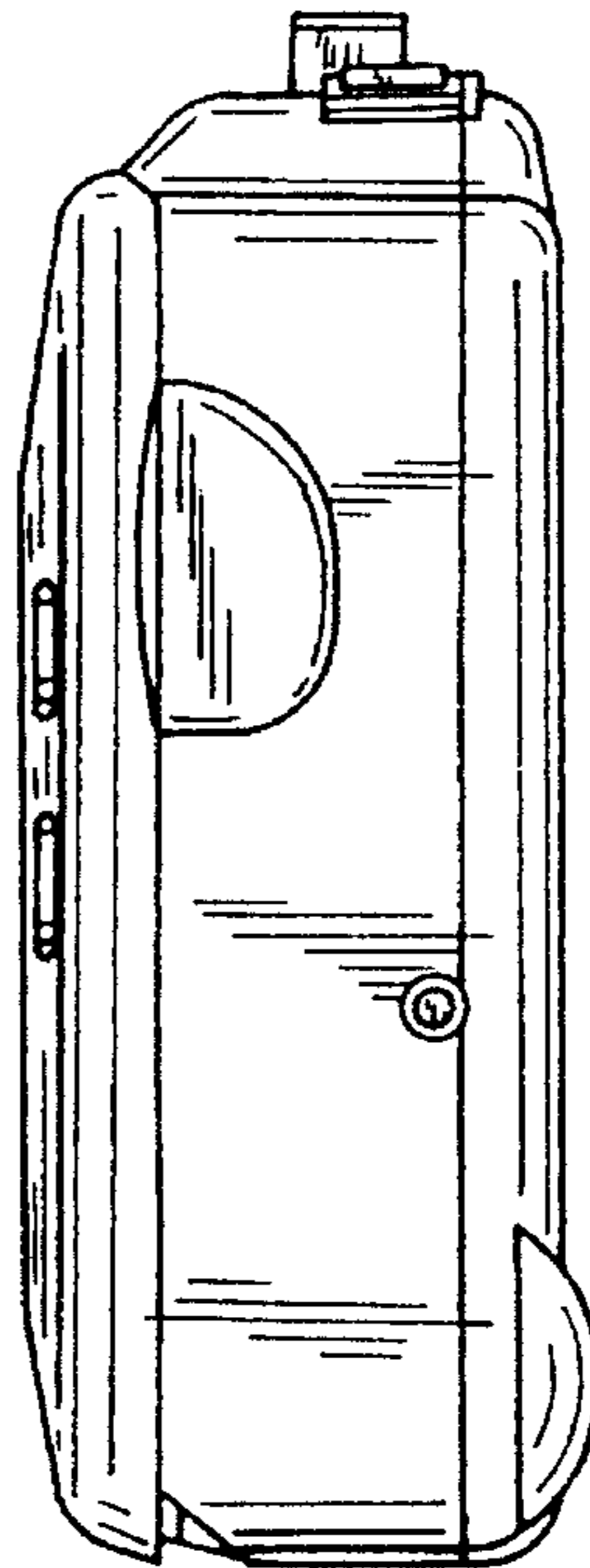


FIG. 8

