



US00D374228S

United States Patent [19]

[11] Patent Number: **Des. 374,228**

Constantine et al.

[45] Date of Patent: ****Oct. 1, 1996**

[54] **DIGITAL ANSWERING MACHINE**

[75] Inventors: **Richard Constantine**, Niantic; **James M. Rittenhouse, Jr.**, Cos Cob, both of Conn.

[73] Assignee: **Conair Corporation**, Stamford, Conn.

[**] Term: **14 Years**

[21] Appl. No.: **48,793**

[22] Filed: **Dec. 21, 1995**

[52] U.S. Cl. **D14/141**

[58] **Field of Search** D14/140, 141, D14/100, 115, 142, 149, 150, 240, 241, 156, 107, 114; D21/13, 48, 111; 379/419, 420, 428, 440, 67, 70, 88

D. 347,864 6/1994 Duong D21/48
 D. 350,539 9/1994 Yatabe et al. D14/141
 D. 363,282 10/1995 Wicks et al. D14/141
 D. 363,320 10/1995 Barthelemy et al. D21/48

Primary Examiner—Jeffrey Asch
Attorney, Agent, or Firm—Ohlandt, Greeley, Ruggiero & Perle

[57] CLAIM

The ornamental design for a digital answering machine, as shown and described.

DESCRIPTION

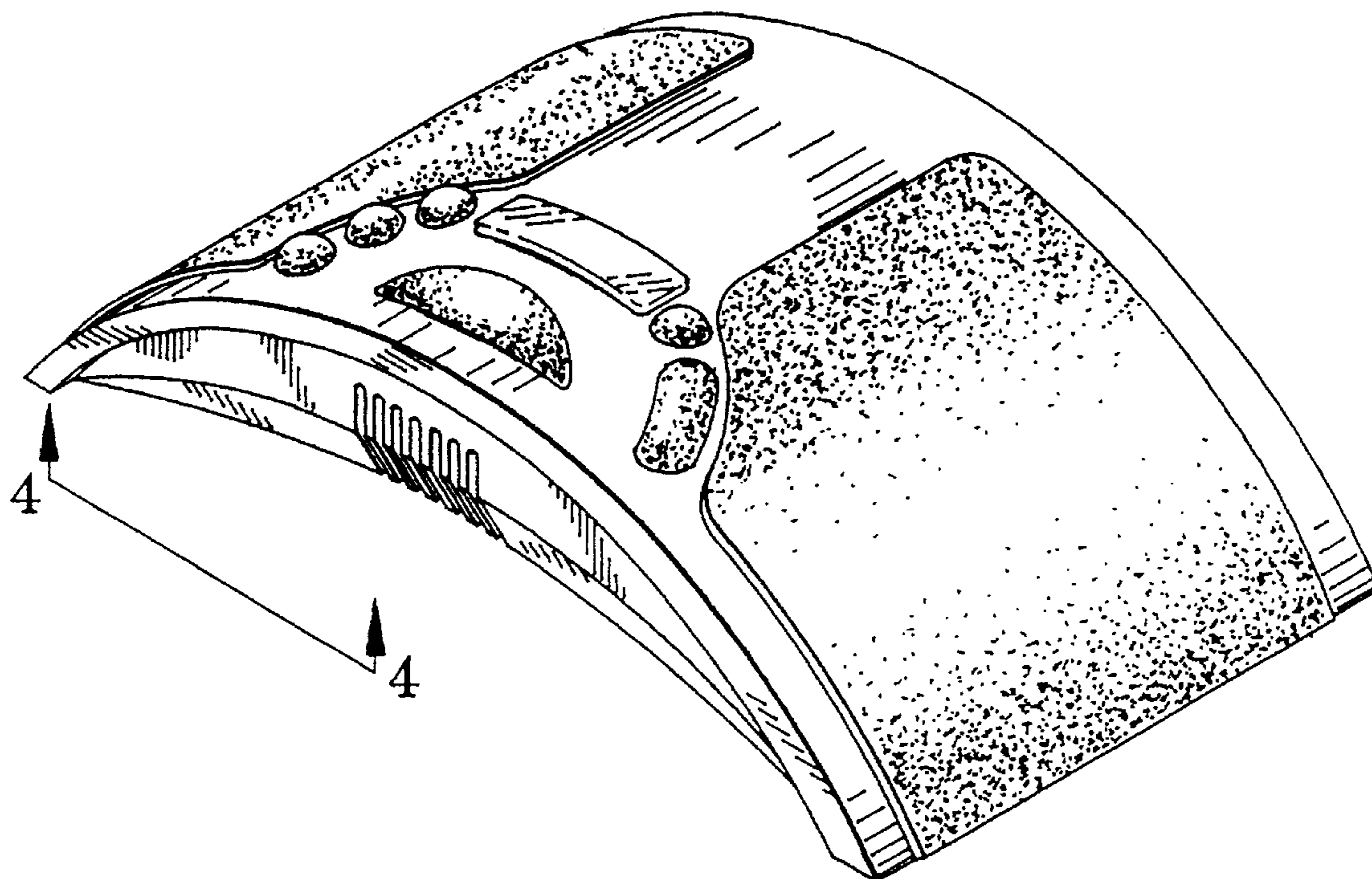
FIG. 1 is a perspective view of a digital answering machine, showing our new design;
 FIG. 2 is a top plan view thereof;
 FIG. 3 is a front elevation view thereof;
 FIG. 4 is a section taken on line 4—4 of FIG. 1;
 FIG. 5 is a left side elevation view thereof;
 FIG. 6 is a right side elevation view thereof;
 FIG. 7 is a bottom plan view thereof;
 FIG. 8 is a rear elevation view thereof; and,
 FIG. 9 is a section taken on line 9—9 of FIG. 8.

[56] References Cited

U.S. PATENT DOCUMENTS

D. 305,121 12/1989 Pfiefer et al. D14/141 X
 D. 311,184 10/1990 Appleby D14/141
 D. 319,439 8/1991 Danielson et al. D14/141
 D. 332,948 2/1993 Barr D14/100
 D. 342,289 12/1993 Hara D21/13

1 Claim, 3 Drawing Sheets



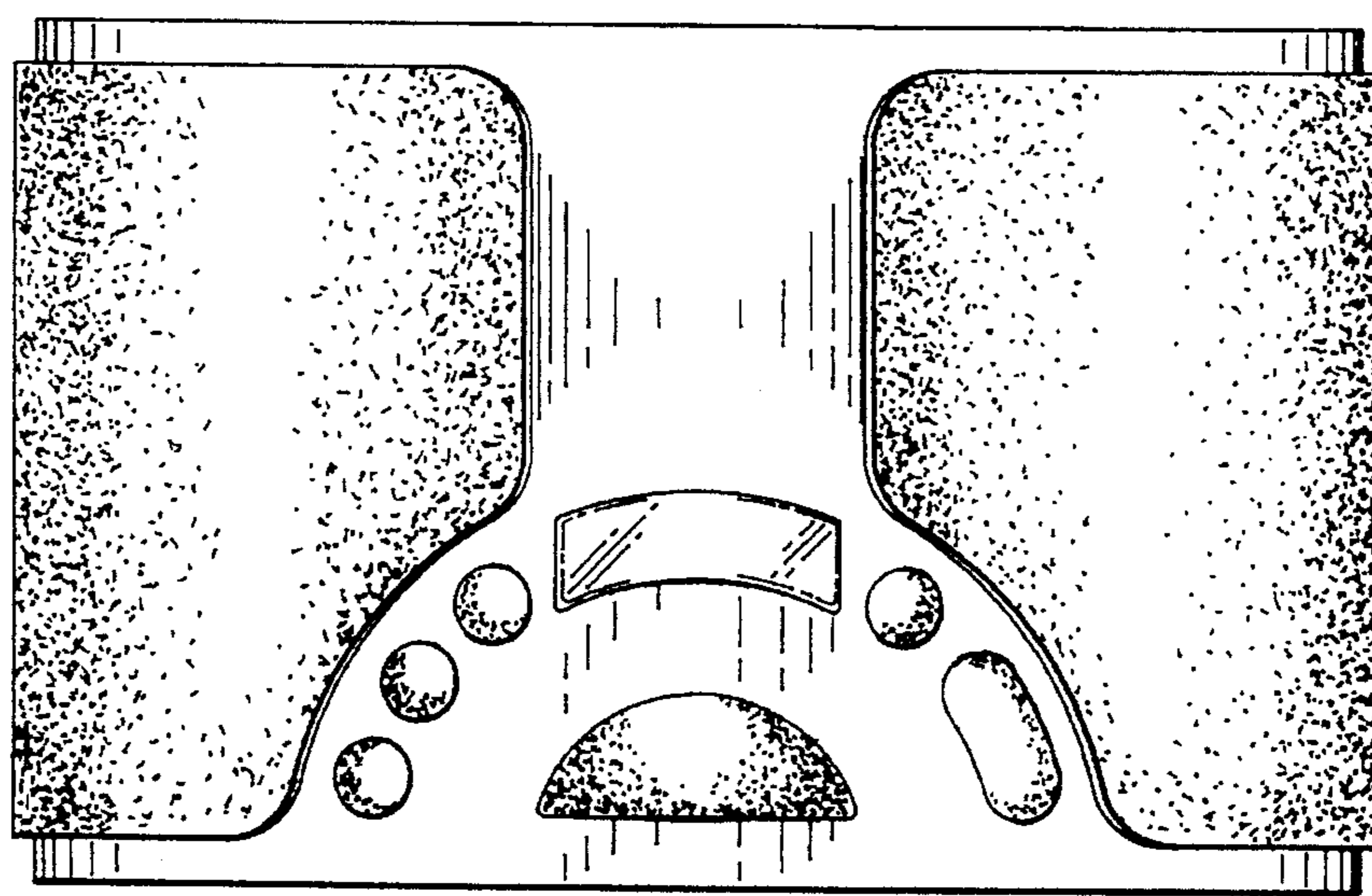
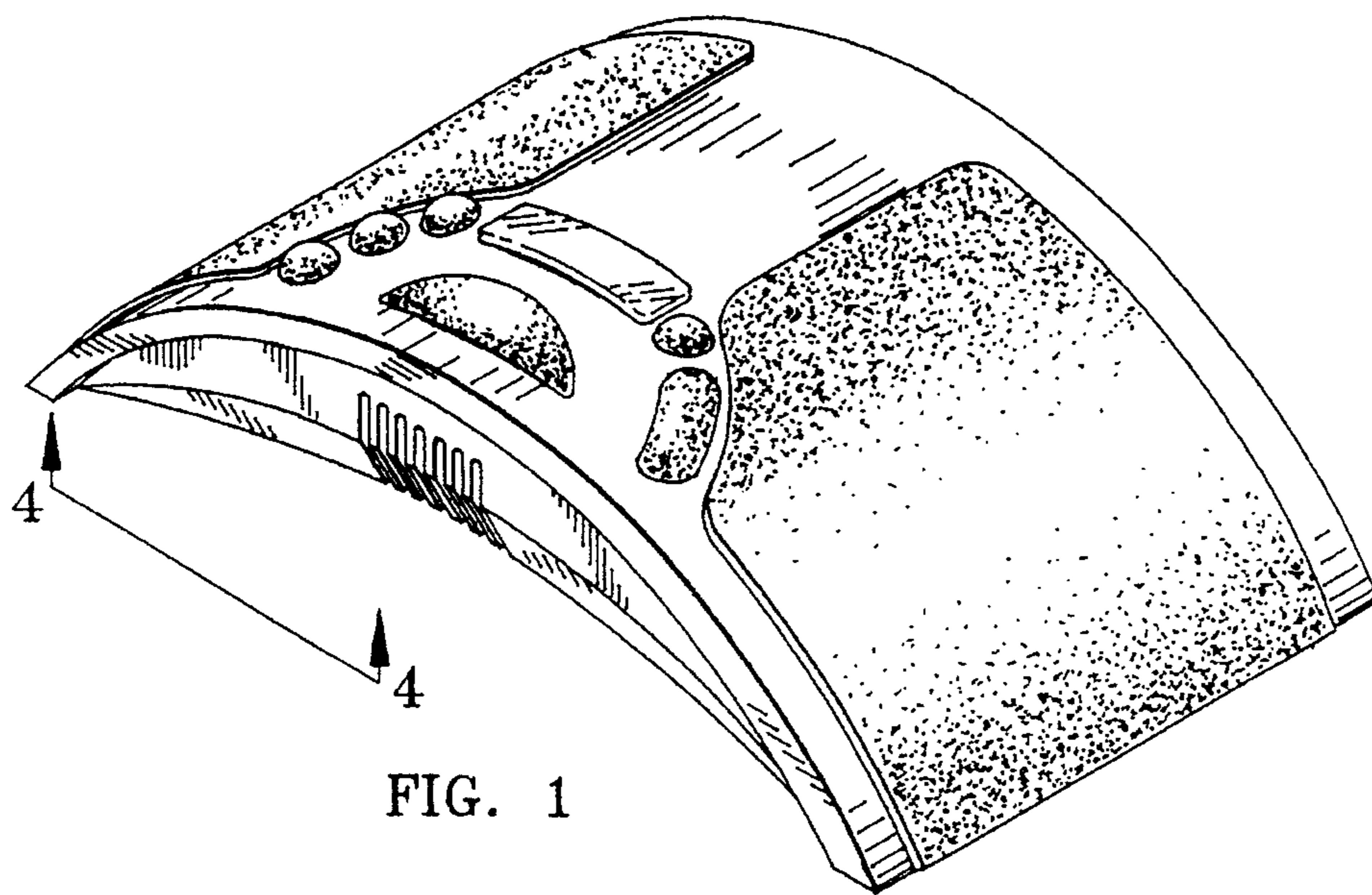


FIG. 2

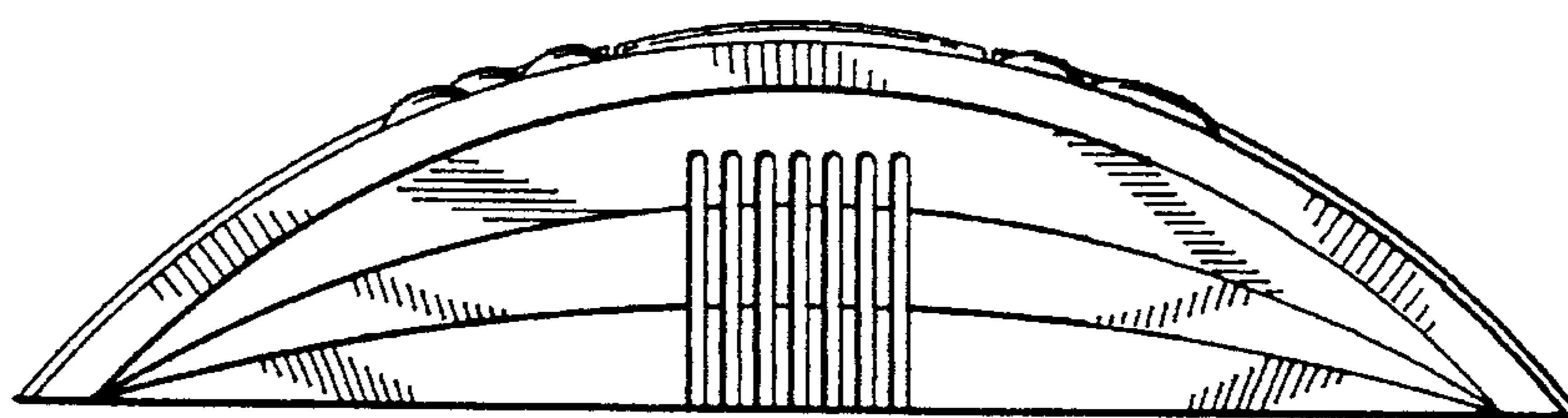


FIG. 3

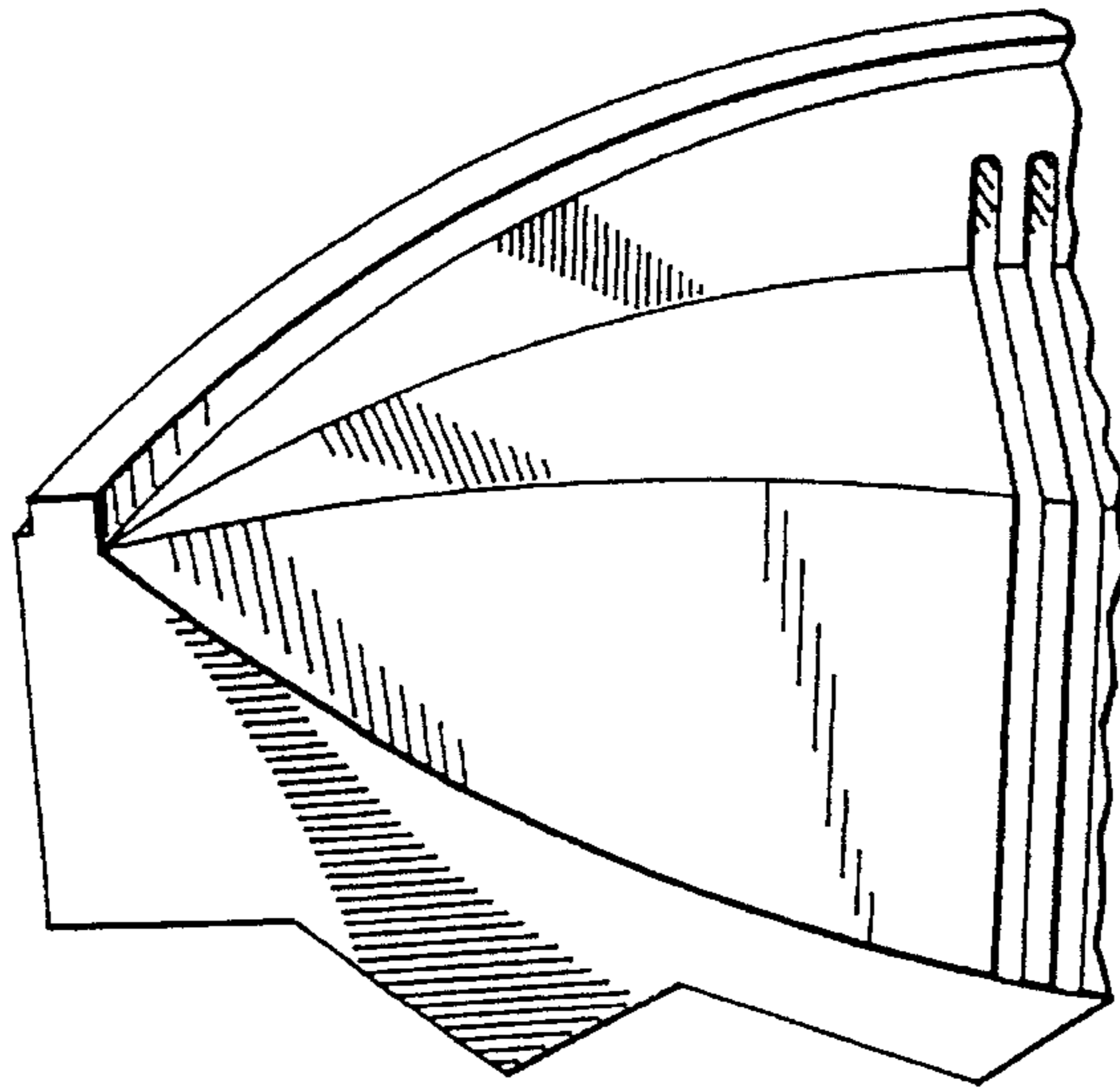


FIG. 4

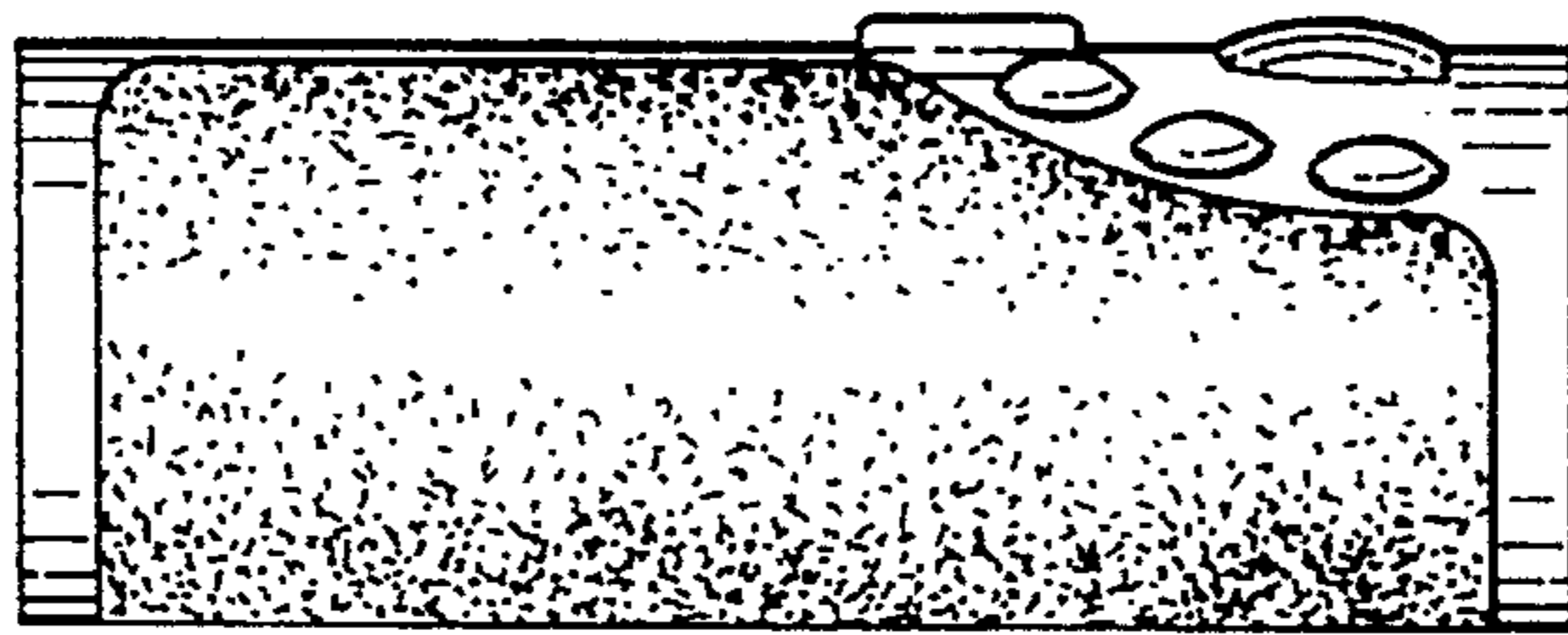


FIG. 5

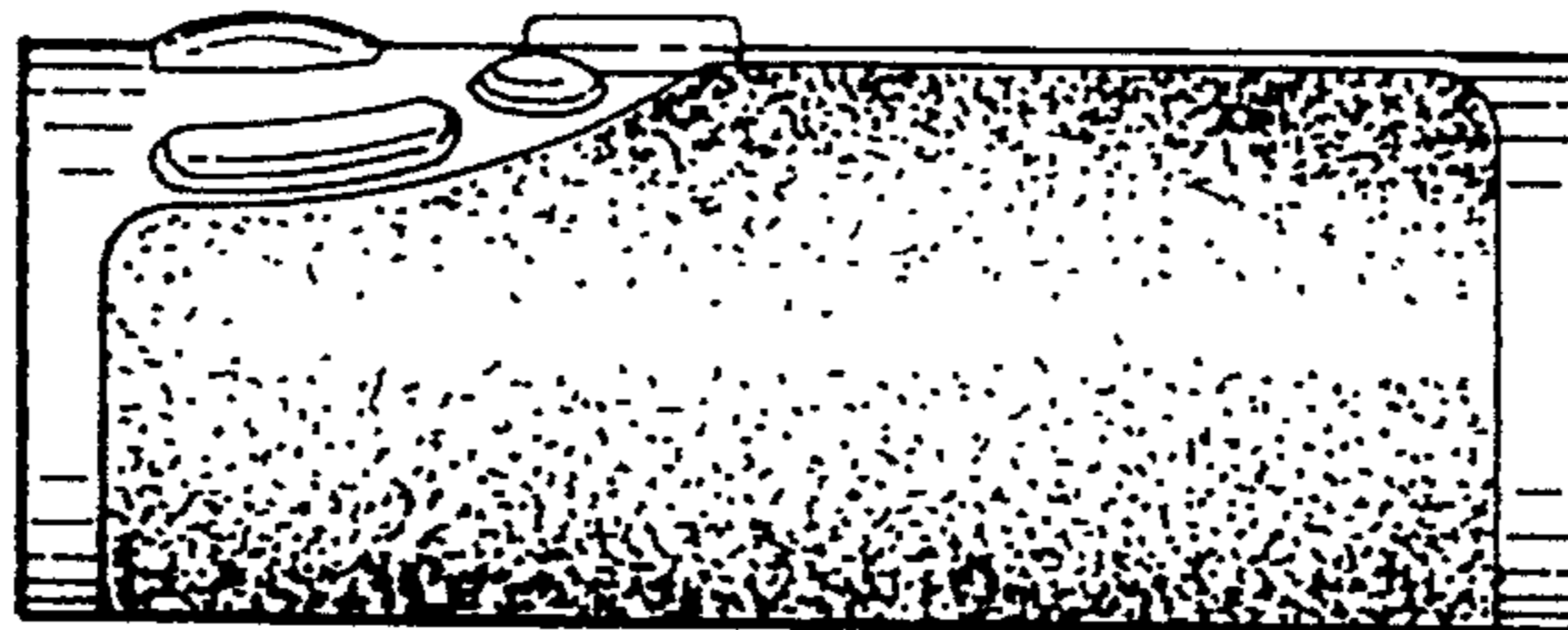


FIG. 6

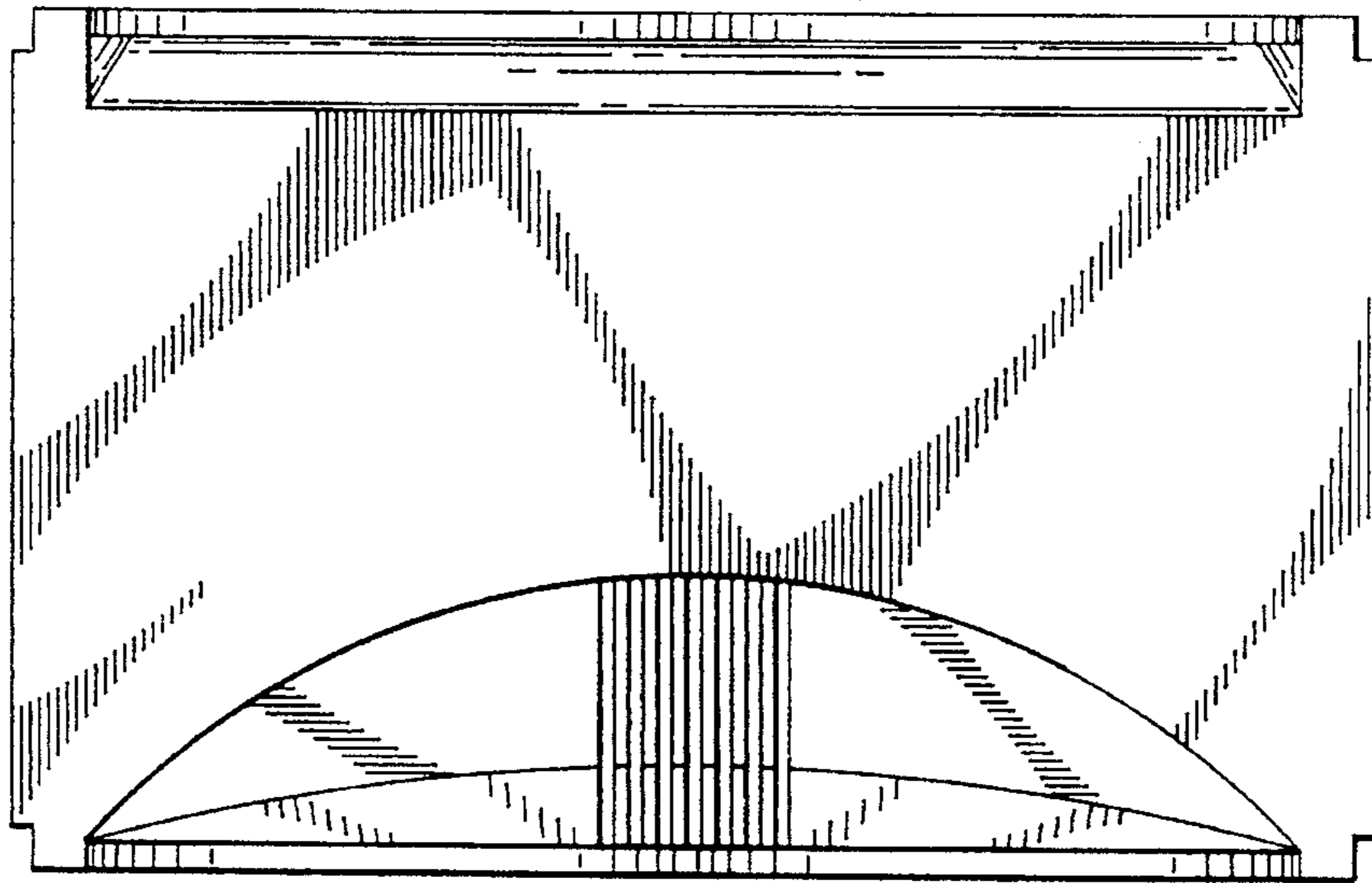


FIG. 7

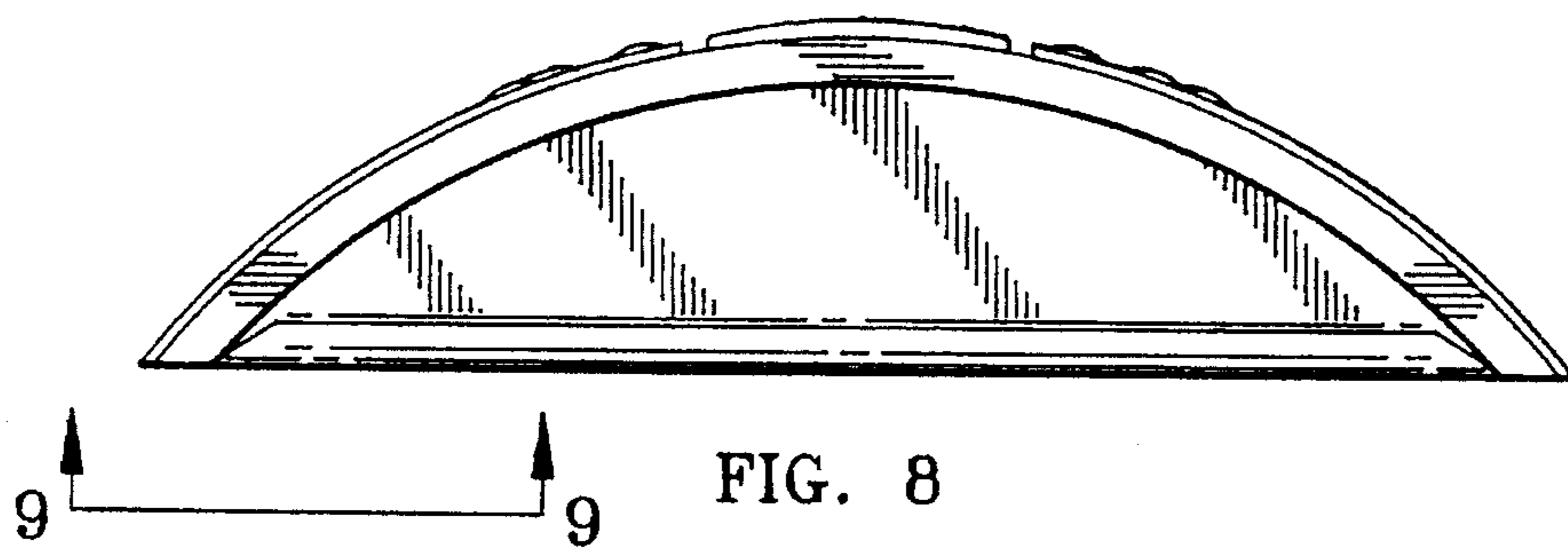


FIG. 8

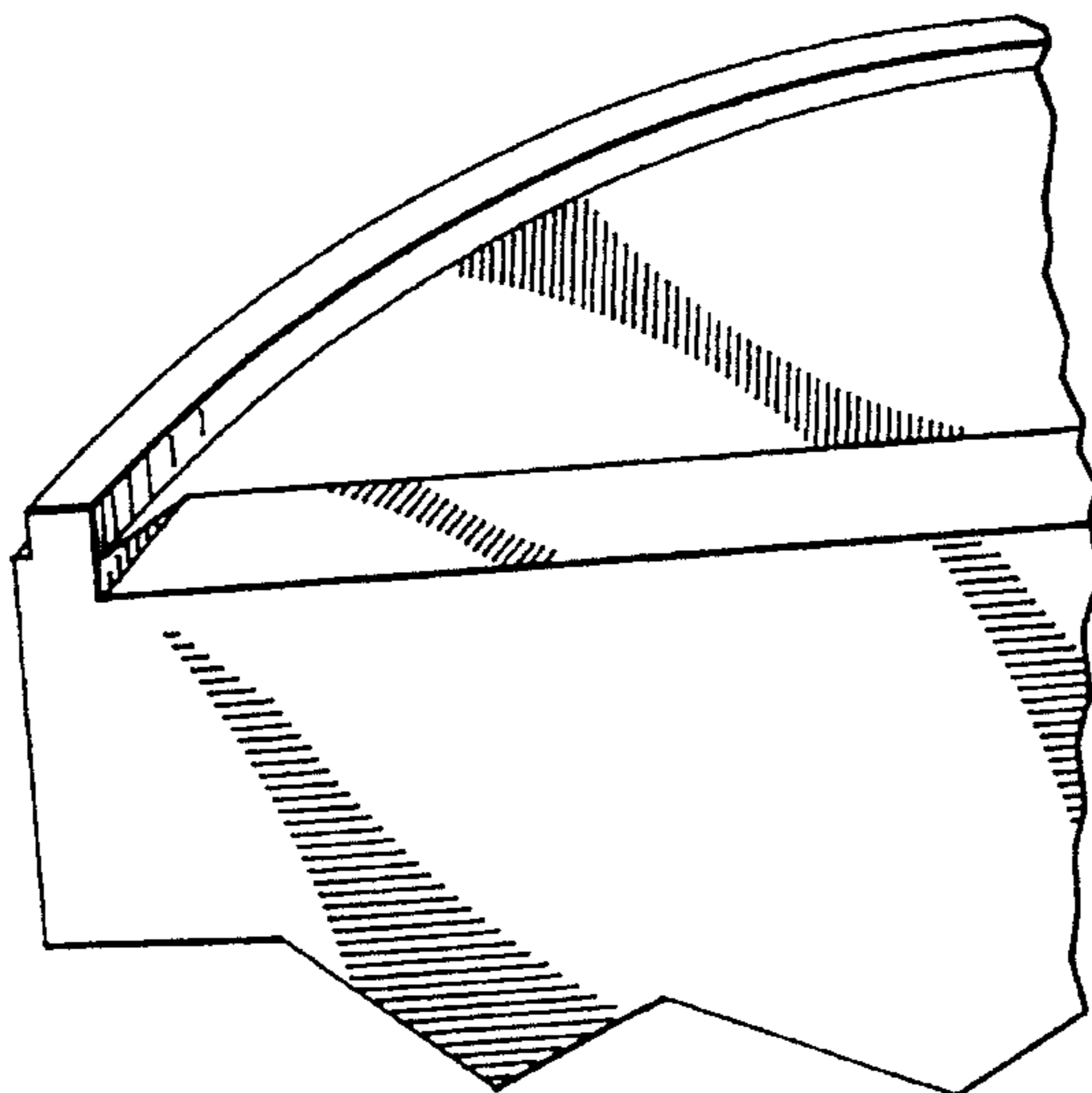


FIG. 9