



US00D374223S

United States Patent [19]

[11] Patent Number: **Des. 374,223**

Herrmann et al.

[45] Date of Patent: ****Oct. 1, 1996**

[54] SET TOP TELEVISION CONVERTER

[75] Inventors: **Charles Herrmann**, Elkins Park, Pa.;
Stephen G. Miggels, Wyckoff, N.J.

[73] Assignee: **General Instrument Corporation of Delaware**, Chicago, Ill.

[**] Term: **14 Years**

[21] Appl. No.: **40,926**

[22] Filed: **Jun. 28, 1995**

[52] U.S. Cl. **D14/125; D14/239; D14/299**

[58] Field of Search **D14/124, 125, D14/188, 239, 299; 312/7.1; 348/10**

[56] References Cited

U.S. PATENT DOCUMENTS

D. 313,230	12/1990	Issacs	D14/239
D. 347,631	6/1994	Terleski	D14/125
D. 349,697	8/1994	Fujino	D14/125

Primary Examiner—Prabhakar G. Deshmukh

Assistant Examiner—Richelle Shelton

Attorney, Agent, or Firm—Barry R. Lipsitz

[57] CLAIM

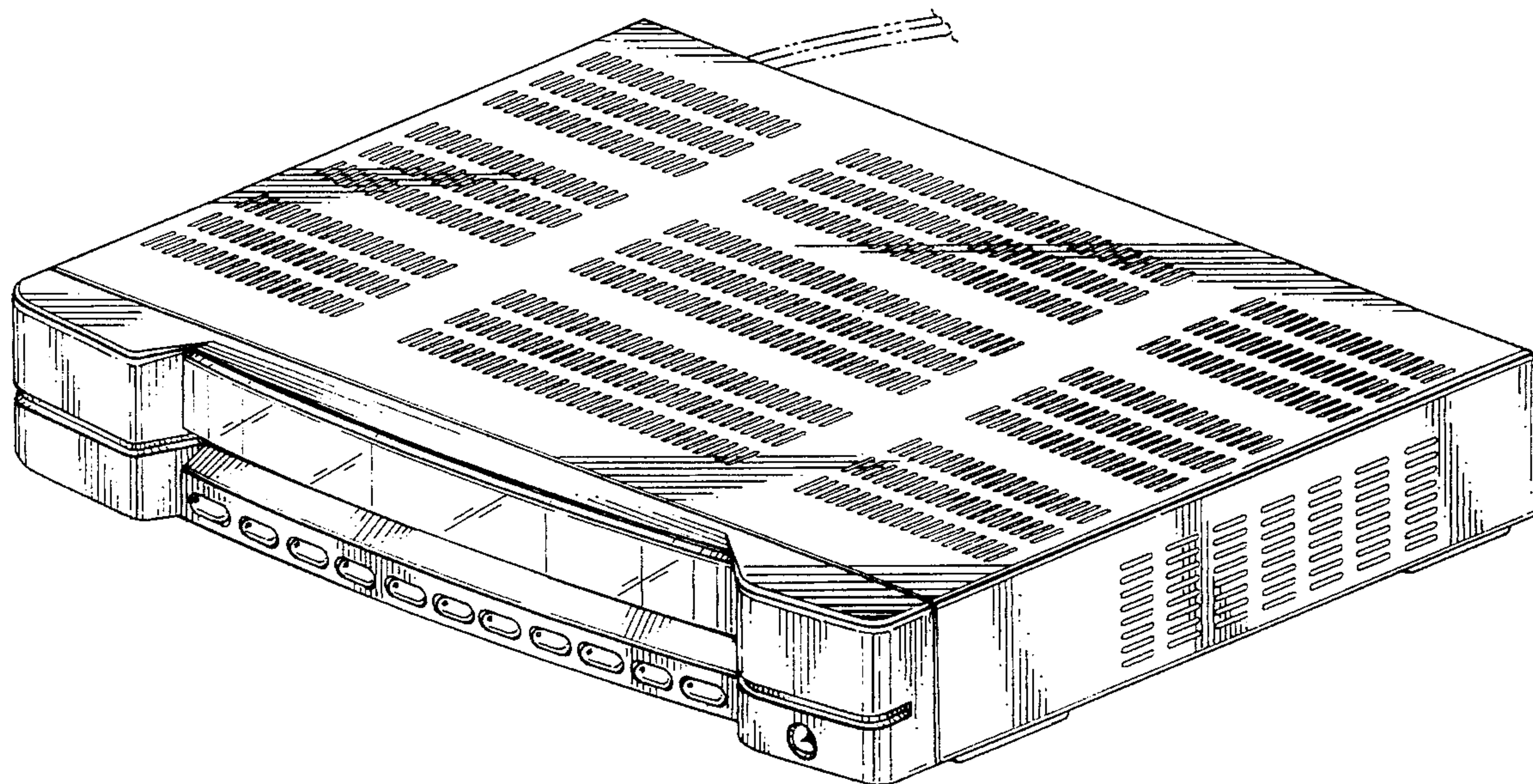
The ornamental design for a set top television converter, as shown and described.

DESCRIPTION

FIG. 1 is a front, top and right side perspective view of the set top television converter showing our new design; FIG. 2 is a top plan view of the converter; FIG. 3 is a front elevational view of the converter; FIG. 4 is a right side elevational view of the converter; FIG. 5 is a left side elevational view of the converter; FIG. 6 is a rear elevational view of the converter; and, FIG. 7 is a bottom plan view of the converter.

The broken line showing of a cord in FIGS. 1, 2, and 4 -7 and of a panel in FIG. 6 is for illustrative purposes only and forms no part of the claimed design.

1 Claim, 5 Drawing Sheets



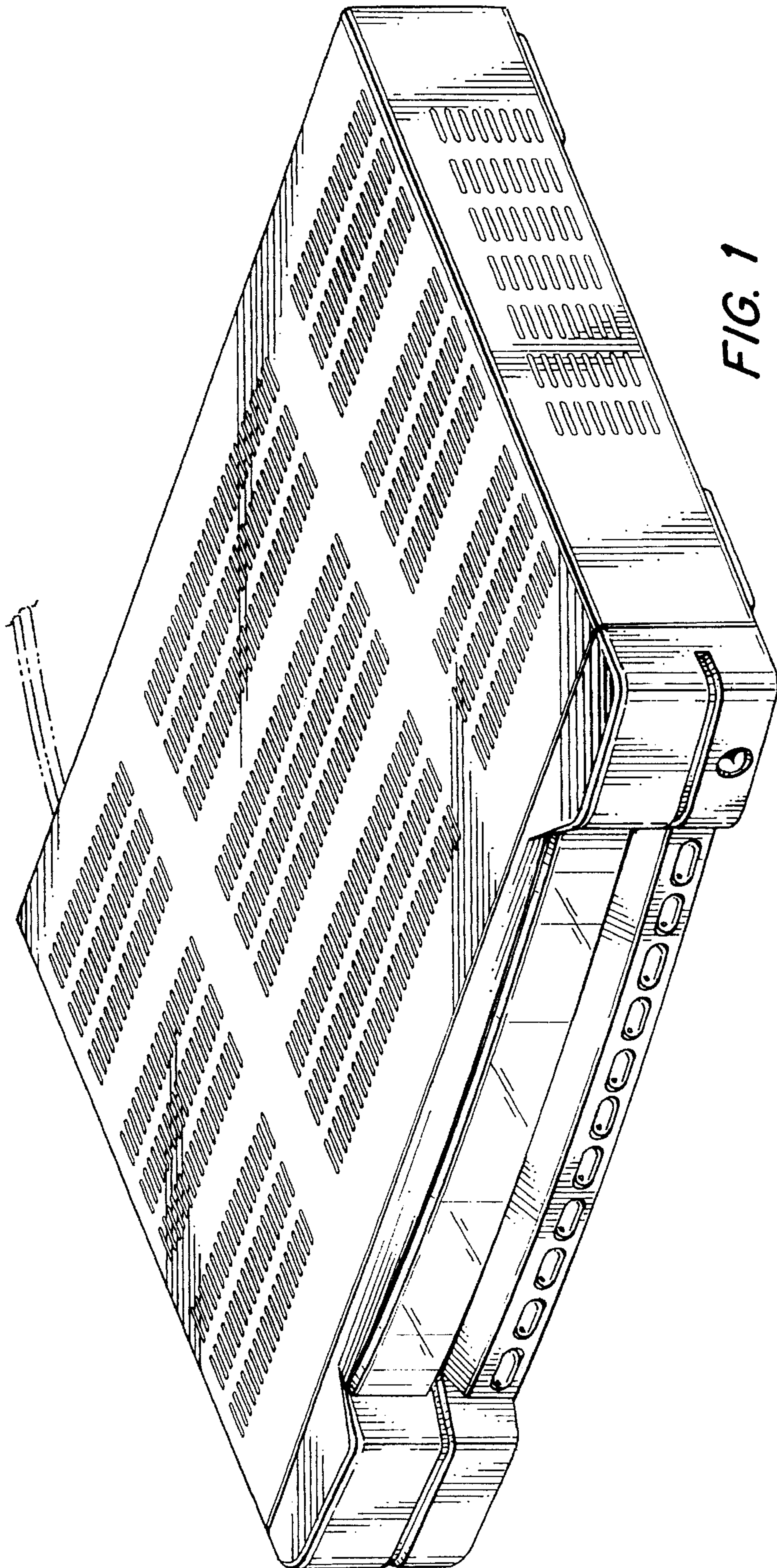


FIG. 1

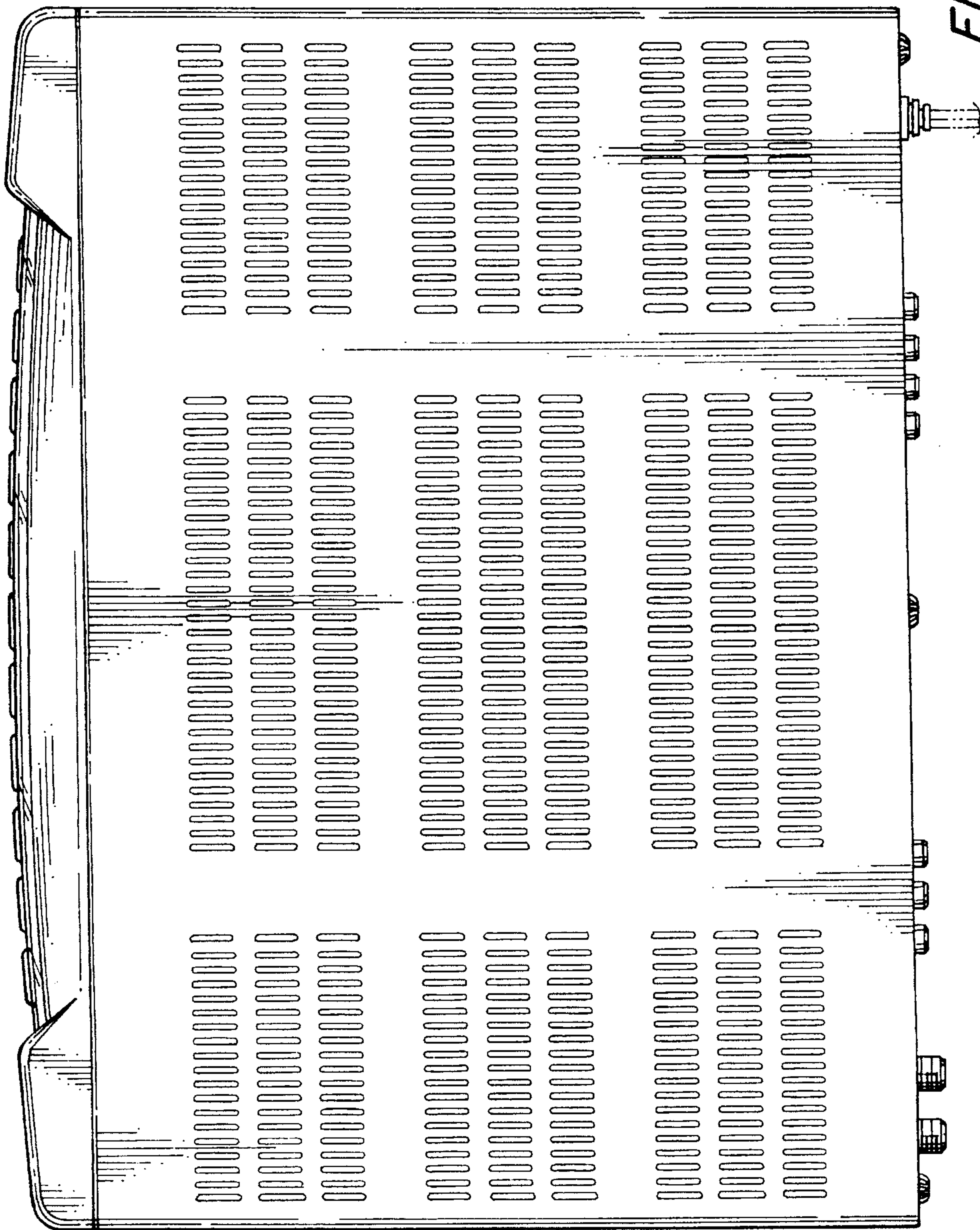


FIG. 2

FIG. 3

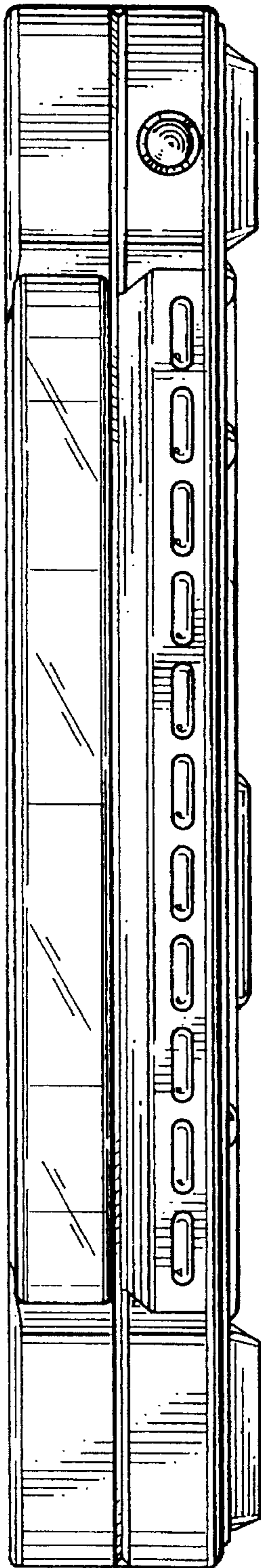


FIG. 4

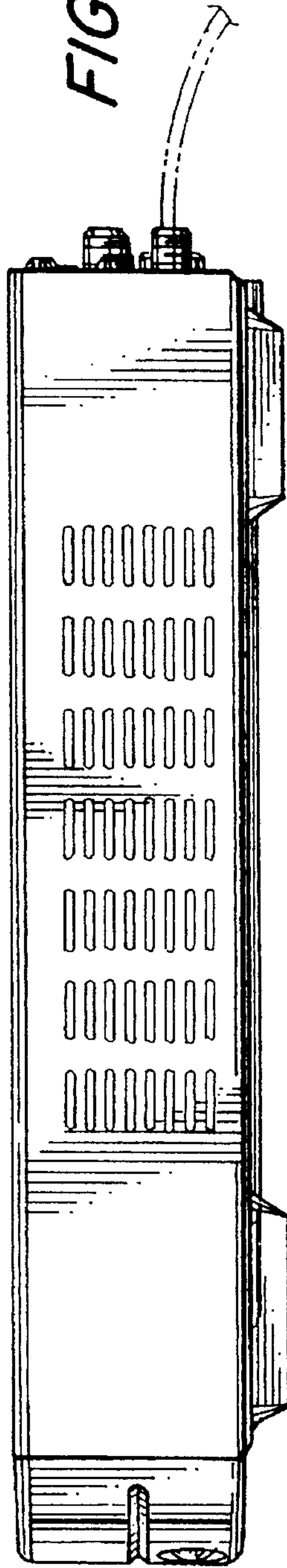
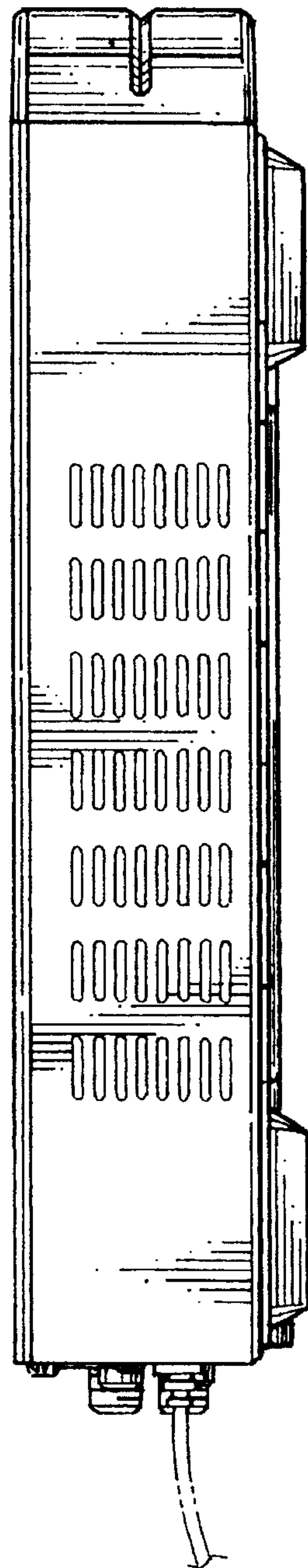


FIG. 5



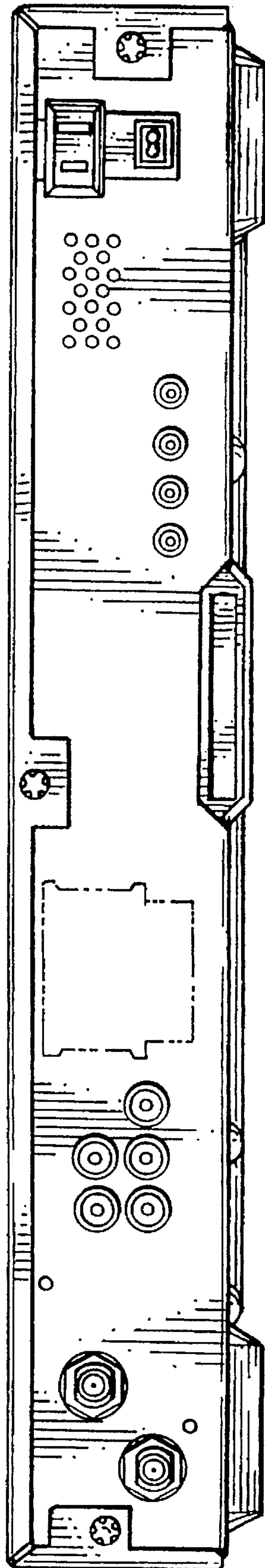


FIG. 6

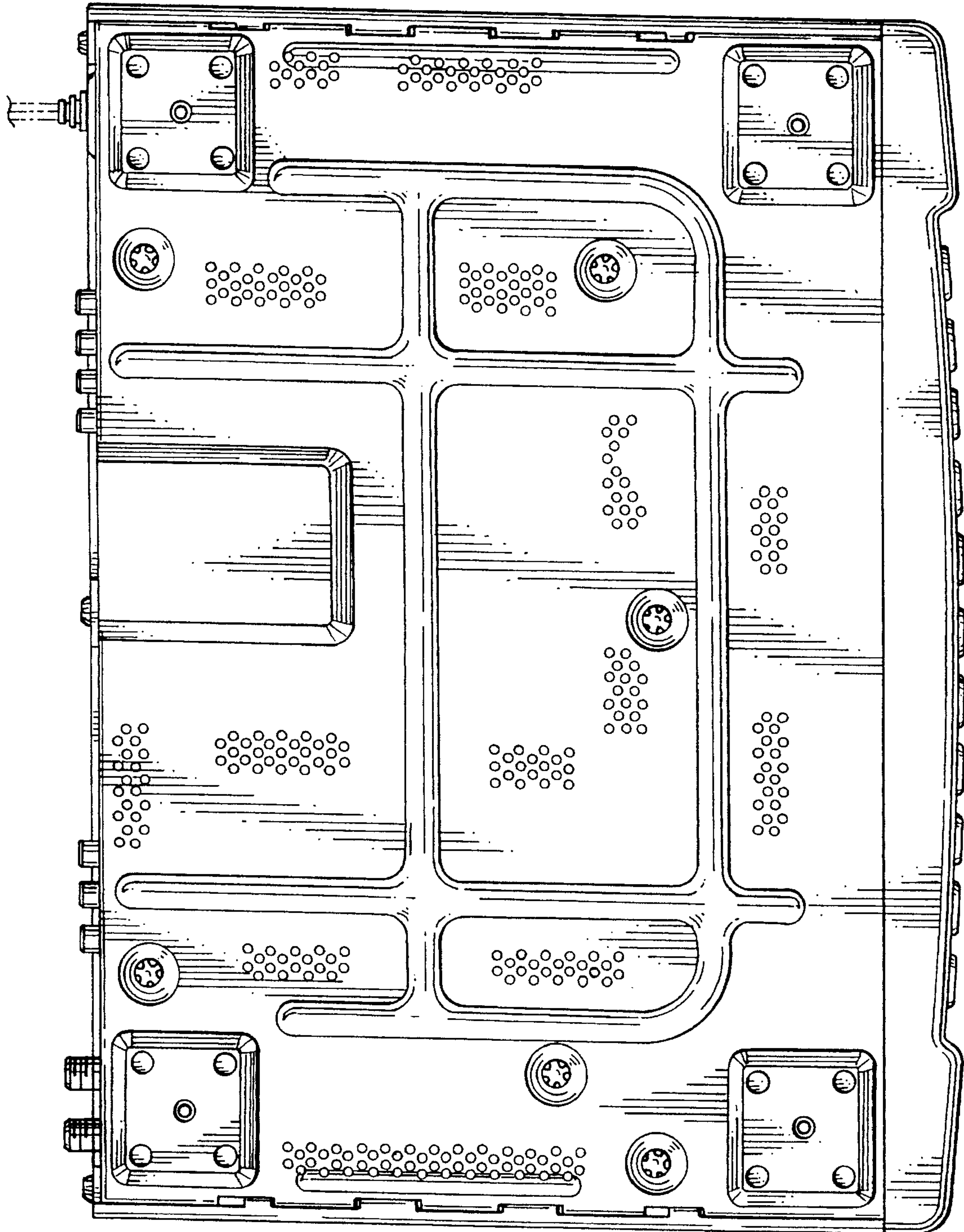


FIG. 7