



US00D374222S

United States Patent [19] Brandt

[11] Patent Number: **Des. 374,222**
[45] Date of Patent: ****Oct. 1, 1996**

- [54] **CASE FOR DATA/VOICE/FAX CONCENTRATOR**
- [75] Inventor: **Dean Brandt**, Minneapolis, Minn.
- [73] Assignee: **Multi-Tech Systems, Inc.**, Mounds View, Minn.
- [**] Term: **14 Years**
- [21] Appl. No.: **45,621**
- [22] Filed: **Oct. 25, 1995**
- [52] U.S. Cl. **D14/118**
- [58] Field of Search D14/118, 102, D14/299, 124, 114; D18/36, 37, 40; 358/400, 401, 402, 403; D13/162, 184, 199

- D. 341,363 11/1993 Chambers .
- D. 341,570 11/1993 Brandt et al. .
- D. 344,513 2/1994 Taniuchi et al. D14/118 X
- D. 347,421 5/1994 Lorenz et al. D14/118 X
- D. 350,741 9/1994 Chen D14/118
- D. 353,144 12/1994 Brandt et al. .
- D. 353,598 12/1994 Brandt et al. .
- D. 355,653 2/1995 Brandt et al. .
- D. 361,764 8/1995 Brandt et al. .
- 4,297,530 10/1981 Kessler .
- 4,790,761 12/1988 Sonabe .
- 5,391,094 2/1995 Kakinoki et al. .

[56] References Cited

U.S. PATENT DOCUMENTS

- D. 263,472 3/1982 Nishi et al. .
- D. 269,345 6/1983 Payne, Jr. et al. .
- D. 277,283 1/1985 Empson et al. .
- D. 287,364 12/1986 Kando D14/118
- D. 291,443 8/1987 Pedinielli et al. .
- D. 291,694 9/1987 Aihara .
- D. 295,178 4/1988 Pedinelli et al. .
- D. 296,697 7/1988 Takahashi et al. .
- D. 297,633 9/1988 Peroni .
- D. 299,651 1/1989 Preussner .
- D. 300,624 4/1989 Seymour .
- D. 303,252 9/1989 Shih .
- D. 305,225 12/1989 Komatsu .
- D. 307,577 5/1990 Abe et al. .
- D. 309,604 7/1990 Osaka et al. .
- D. 309,731 8/1990 Takai .
- D. 311,520 10/1990 Serio, Jr. .
- D. 312,627 12/1990 Gutzmer .
- D. 316,552 4/1991 Miozzo .
- D. 328,068 7/1992 Wantanabe D14/118
- D. 328,591 8/1992 Yokoi et al. .
- D. 332,258 1/1993 Urushihara et al. D14/118
- D. 337,997 8/1993 Brummer et al. .
- D. 340,059 10/1993 Wetzl .

OTHER PUBLICATIONS

New Worldport PCMCIA Modem Connects Your Notebook to Other Modems & Fax Machines Worldwide! advertisement, 1 page.
 PCWEEK, Megahertz advertisement, 11, 3 pages, (Jun. 6, 1994).
 Data Comm Warehouse catalog, U.S. Robotics, 2 pages.
 The New MultiModem, For Laptop and Notebook Computers, MultiTech Systems, 2 pp., Apr. 1992.

Primary Examiner—Prabhakar G. Deshmukh
Attorney, Agent, or Firm—Schwegman, Lundberg, Woessner & Kluth, P.A.

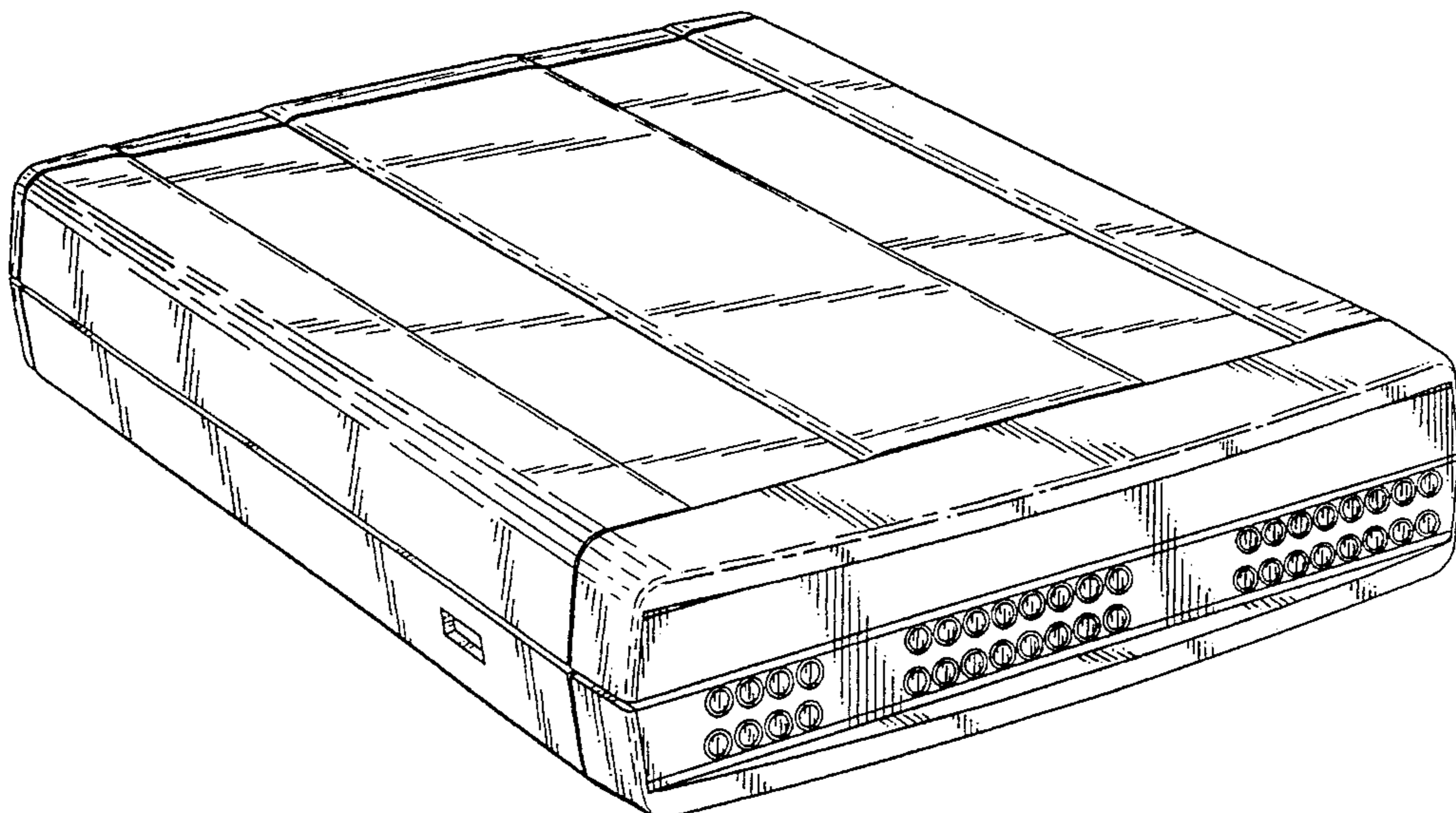
[57] CLAIM

The ornamental design for a case for data/voice/fax concentrator, as shown and described.

DESCRIPTION

FIG. 1 is a perspective view of a case for data/voice/fax concentrator showing my new design;
 FIG. 2 is a front elevational view thereof;
 FIG. 3 is a rear elevational view thereof;
 FIG. 4 is a top plan view thereof;
 FIG. 5 is a bottom plan view thereof;
 FIG. 6 is a right side elevational view thereof; and,
 FIG. 7 is a left side elevational view thereof.

1 Claim, 5 Drawing Sheets



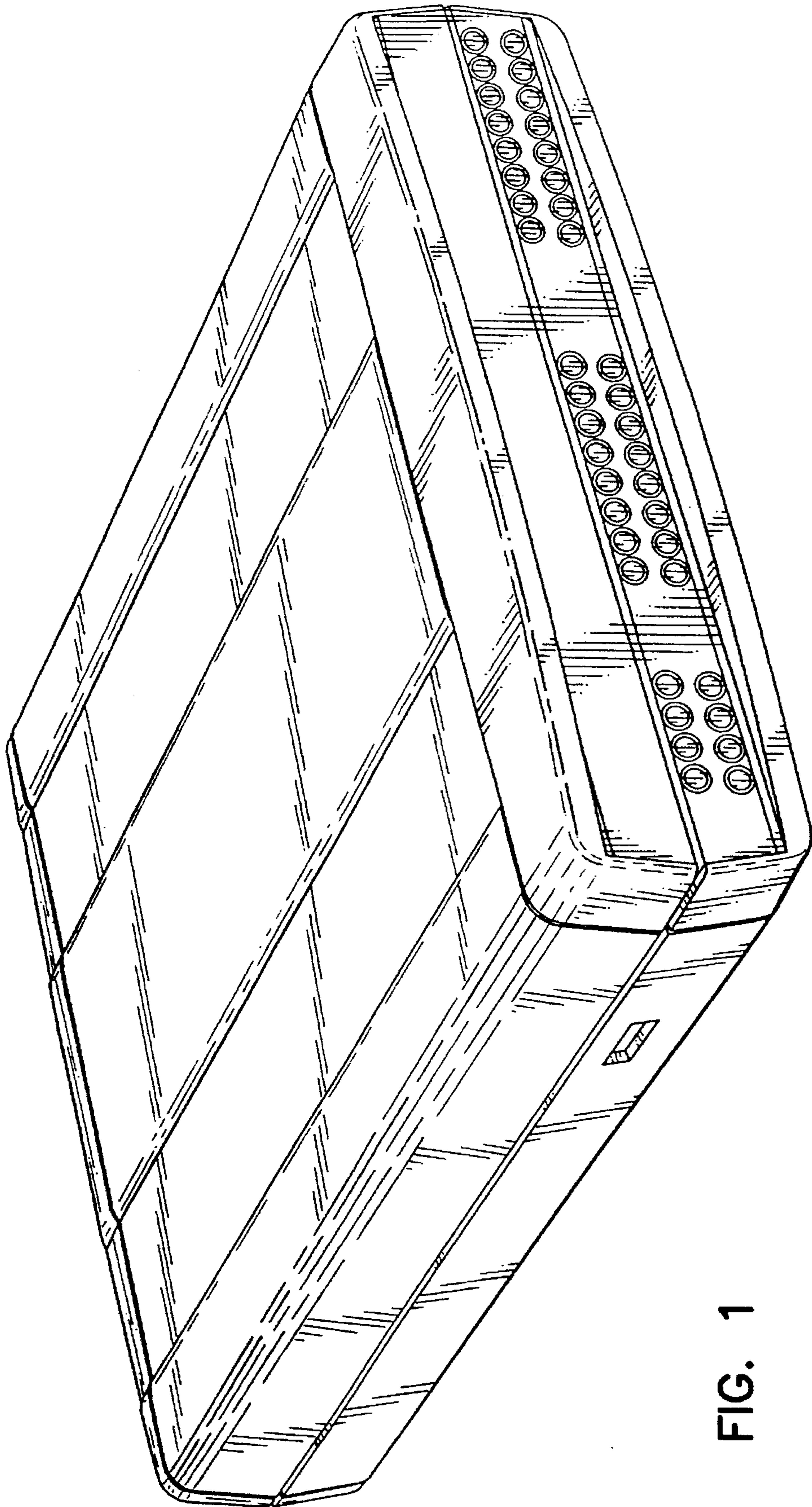


FIG. 1

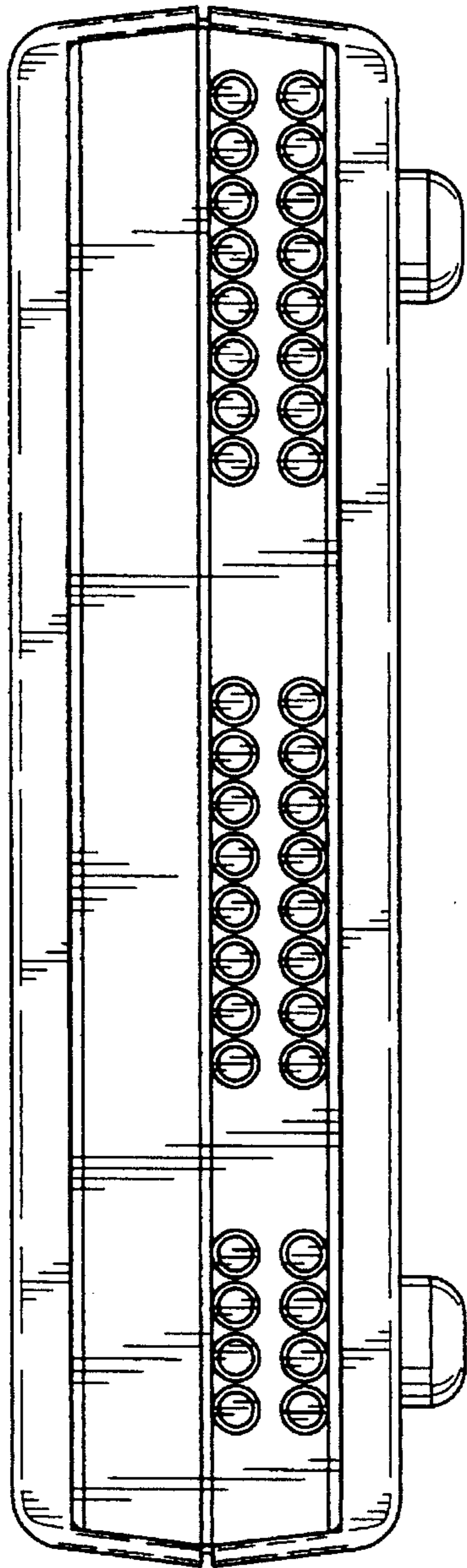


FIG. 2

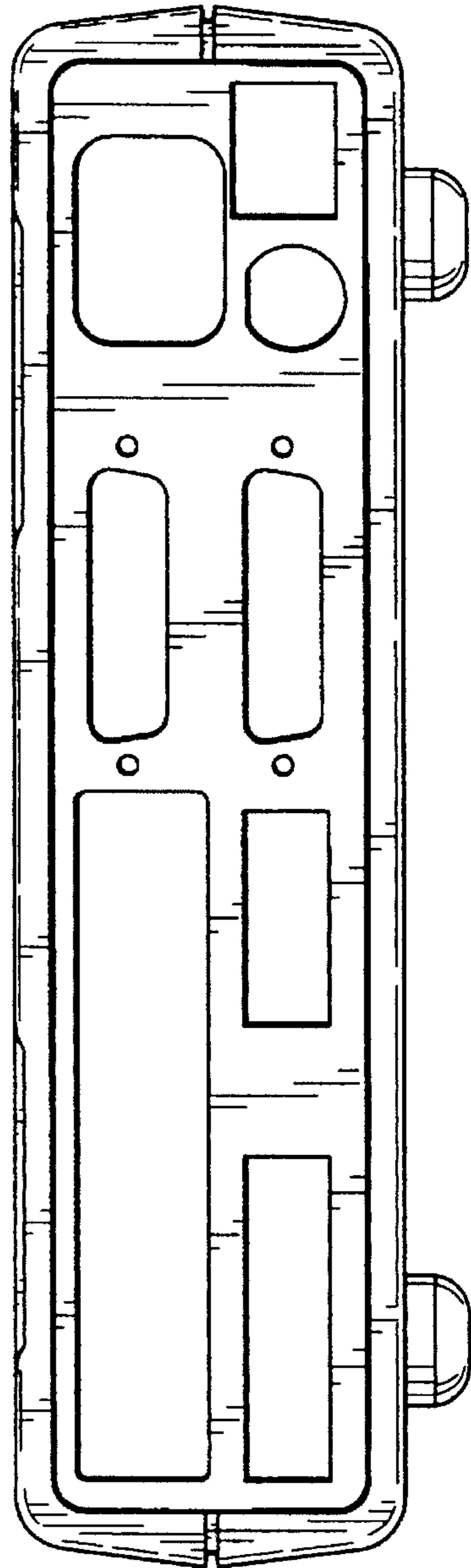


FIG. 3

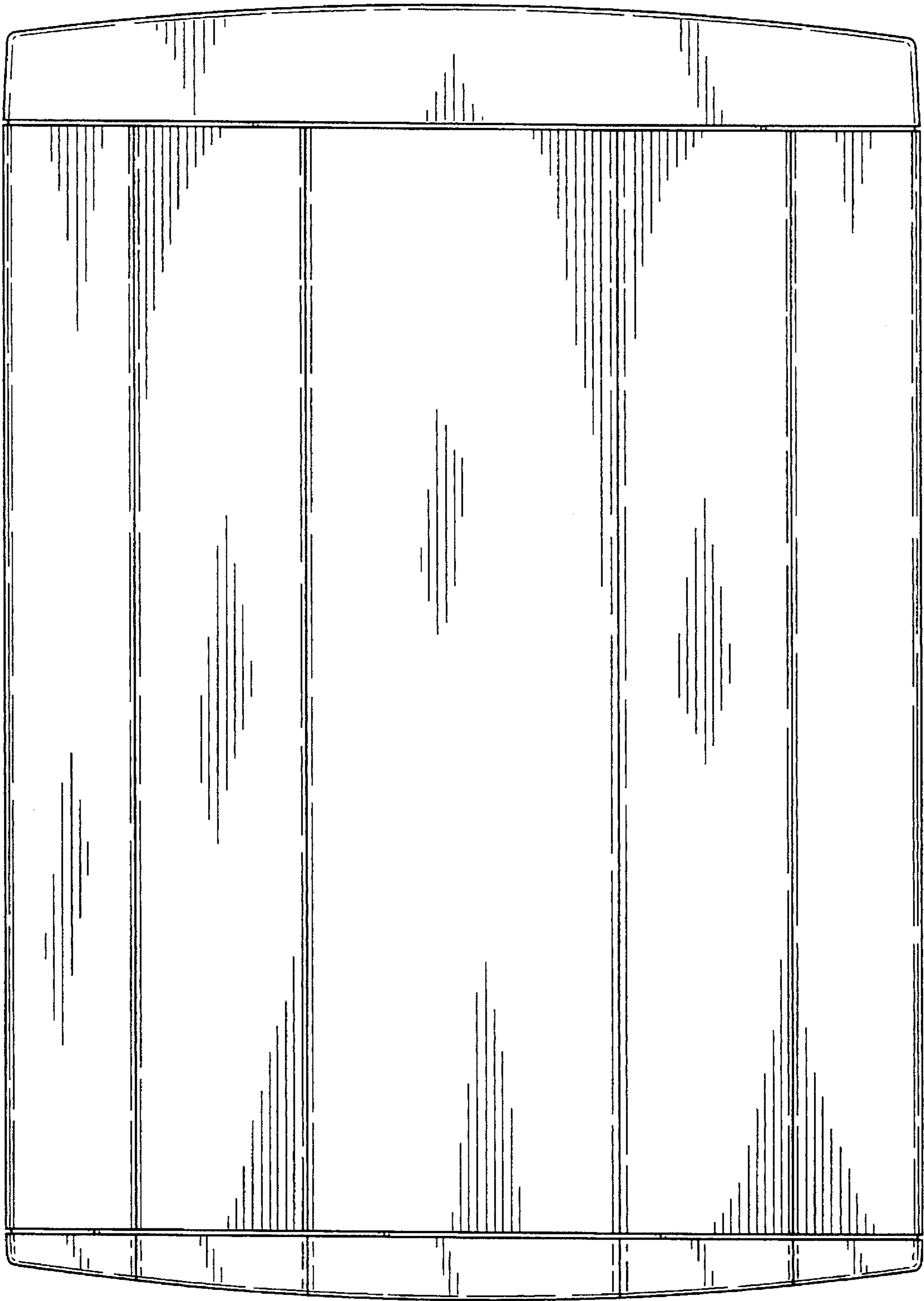


FIG. 4

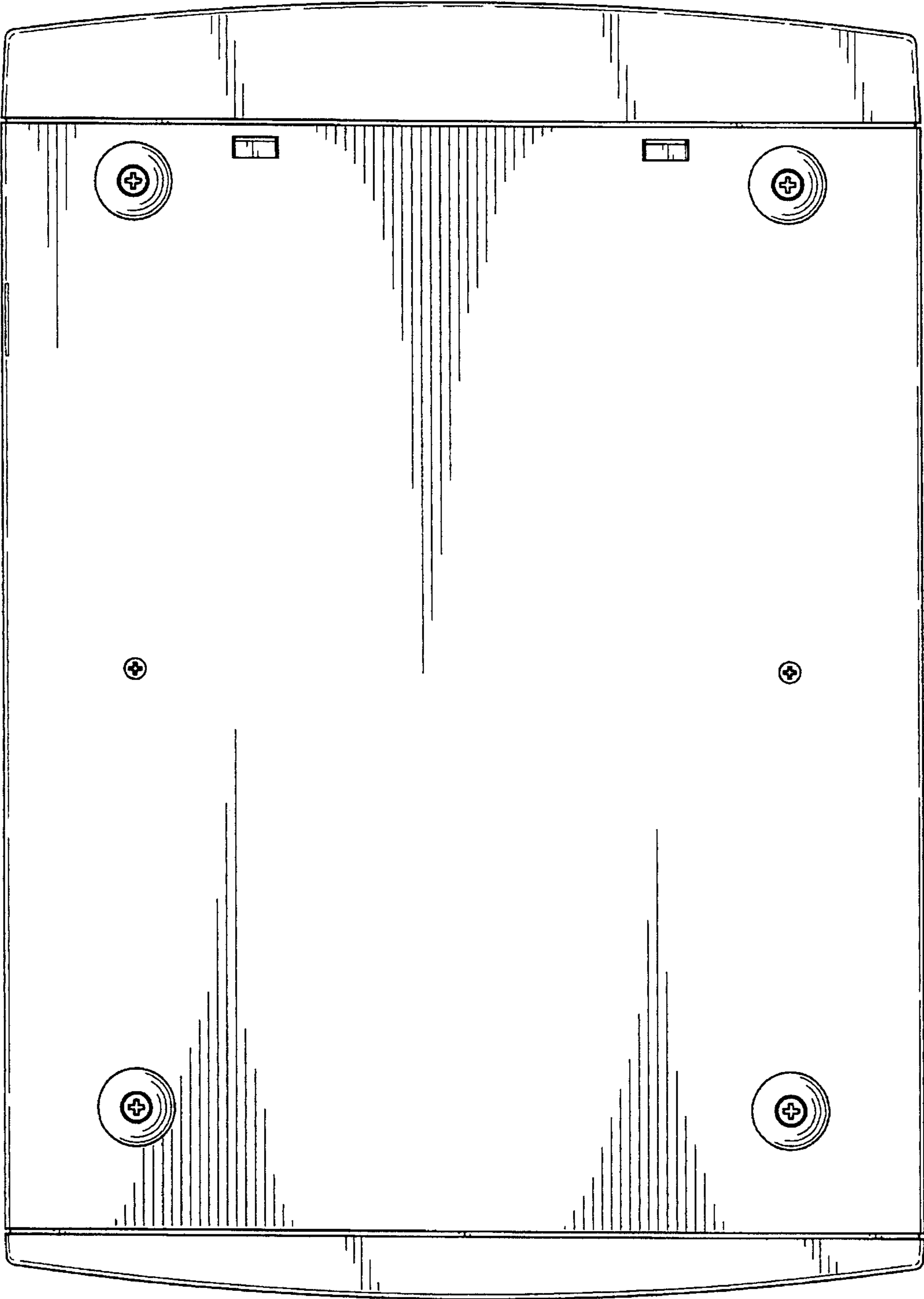


FIG. 5

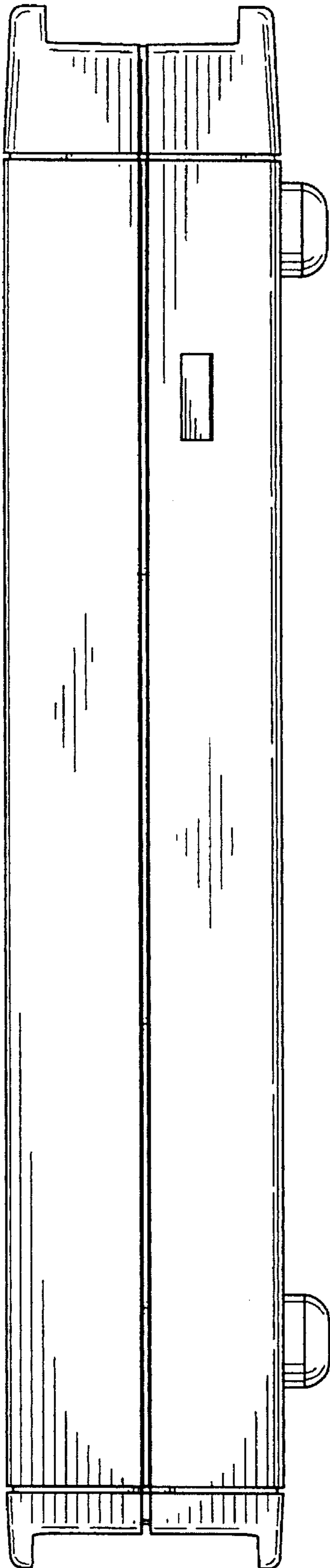


FIG. 6

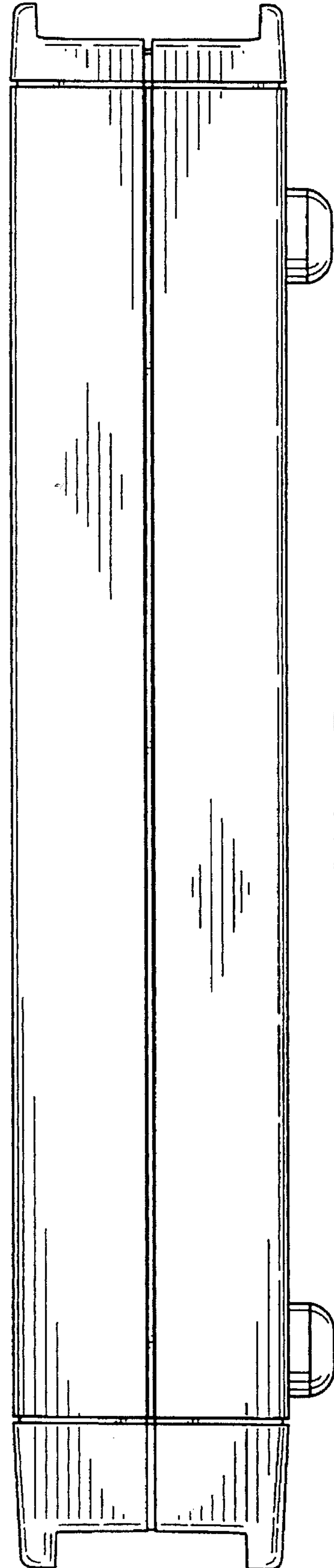


FIG. 7