



US00D374220S

United States Patent [19]
Katayama

[11] **Patent Number: Des. 374,220**
[45] **Date of Patent: **Oct. 1, 1996**

[54] **DISC CARTRIDGE**
[75] Inventor: **Noriko Katayama**, Tokyo, Japan
[73] Assignee: **Fuji Photo Film Co., Ltd.**, Kanagawa, Japan
[**] Term: **14 Years**

D. 367,474 2/1996 Ikenaga D14/114
4,608,617 8/1986 Oishi et al. D14/121 X
5,040,167 8/1991 Tanaka et al. 369/291
5,195,084 3/1993 Shiba et al. 206/444 X

FOREIGN PATENT DOCUMENTS

887775 1/1994 Japan .
894528 3/1994 Japan .

Primary Examiner—Prabhakar G. Deshmukh
Attorney, Agent, or Firm—Young & Thompson

[21] Appl. No.: **48,048**
[22] Filed: **Dec. 19, 1995**
[30] **Foreign Application Priority Data**

[57] **CLAIM**

The ornamental design for a disc cartridge, as shown.

Jun. 26, 1995 [JP] Japan 7-18441
[52] **U.S. Cl.** **D14/114**
[58] **Field of Search** D14/121, 114,
D14/100, 122, 99; 360/60, 132, 133, 135,
97.01-99.12; 206/314, 307, 308.1, 308.2,
308.3

DESCRIPTION

FIG. 1 is a front, top and side elevational view of a disc cartridge showing my new design;
FIG. 2 is a front elevational view thereof;
FIG. 3 is a rear elevational view thereof;
FIG. 4 is a top plan view thereof;
FIG. 5 is a bottom plan view thereof;
FIG. 6 is a side elevational view thereof from the right of FIG. 2; and,
FIG. 7 is a side elevational view thereof from the left of FIG. 2.

[56] **References Cited**

U.S. PATENT DOCUMENTS

D. 307,893 5/1990 Kato et al. D14/114
D. 312,077 11/1990 Sasaki et al. D14/114
D. 325,468 4/1992 Ohba D14/121
D. 340,032 10/1993 Fujisawa D14/114
D. 347,215 5/1994 Ikenaga D14/114

1 Claim, 2 Drawing Sheets

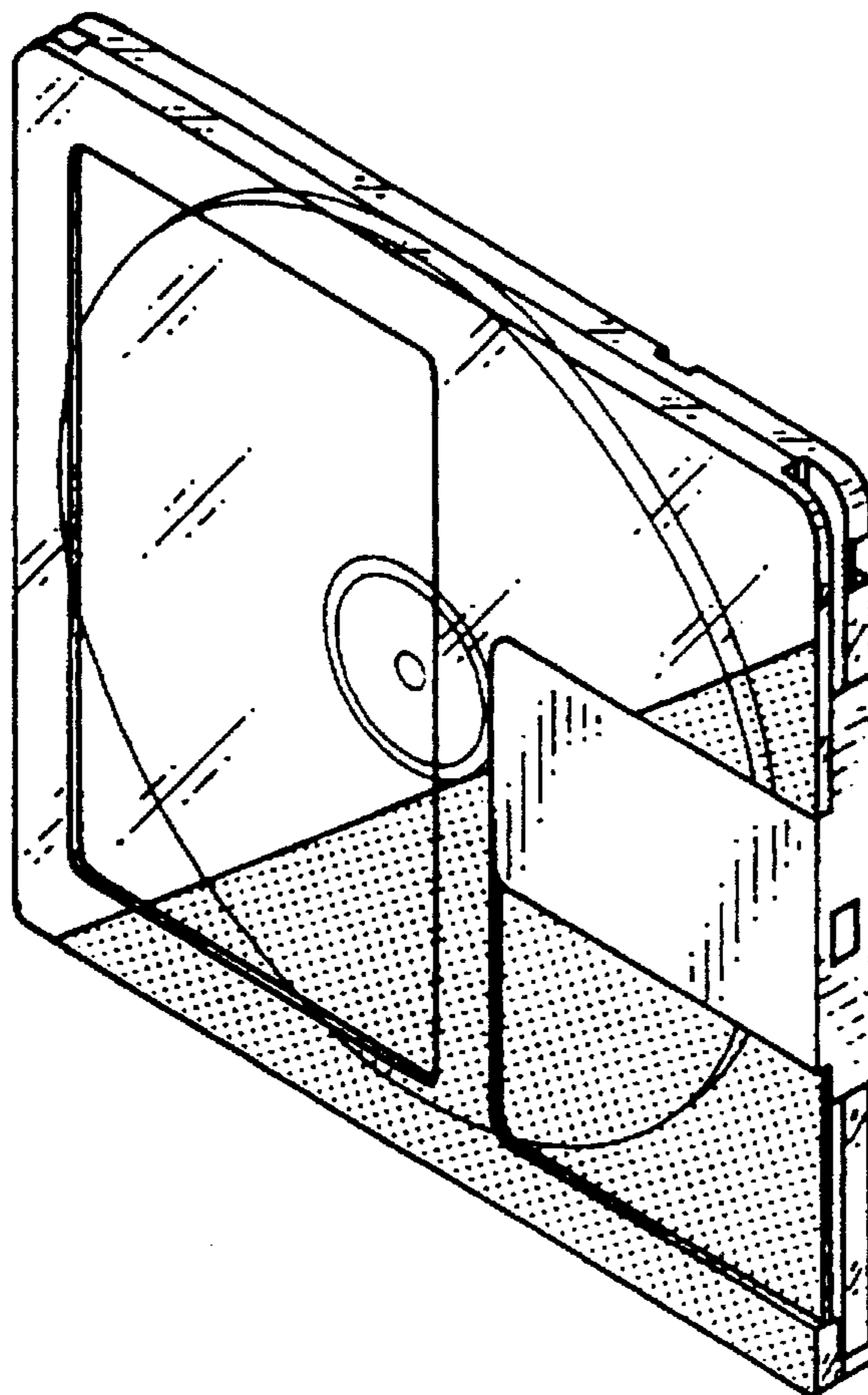


FIG. 1

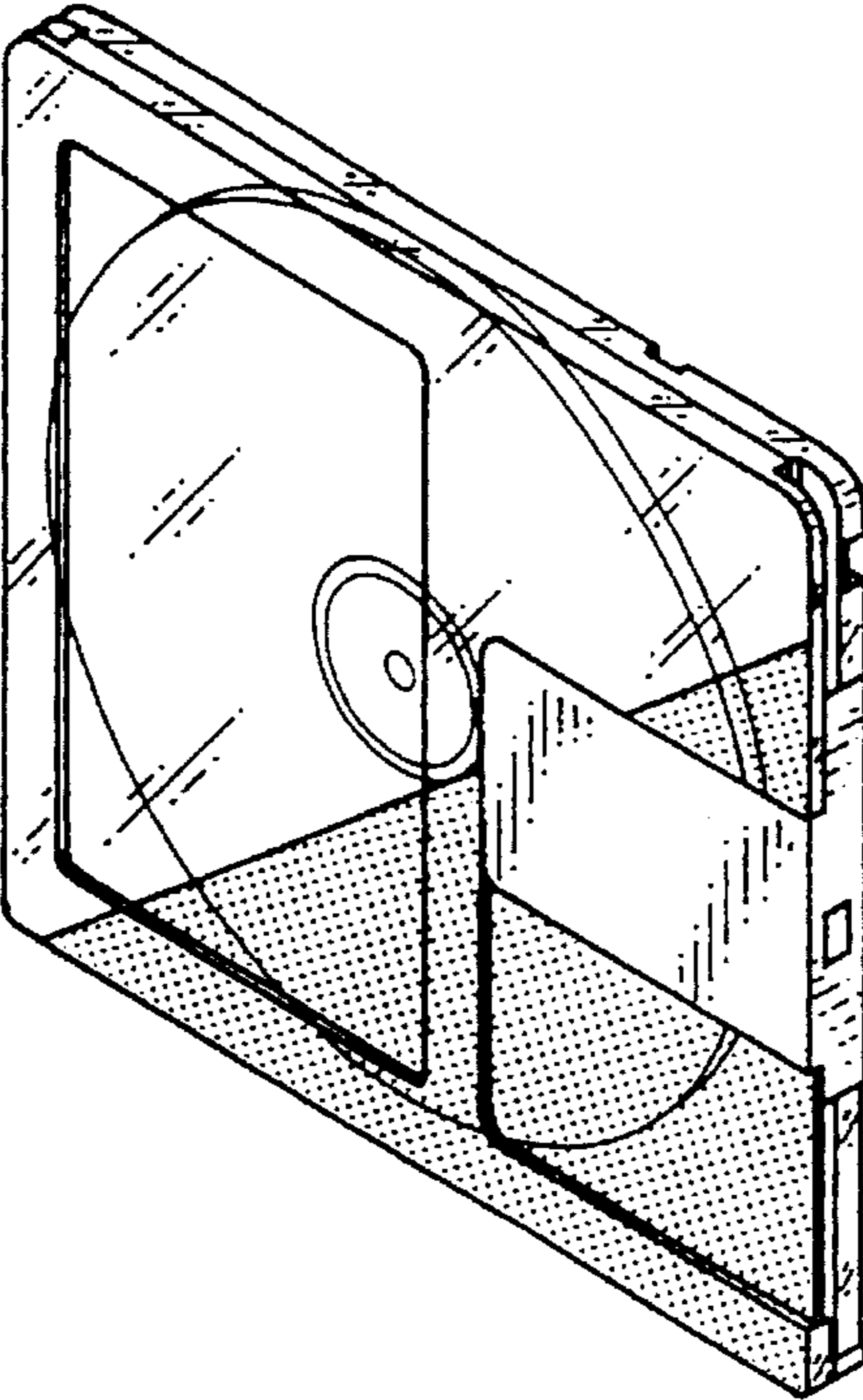


FIG. 6

FIG. 7

FIG. 4



FIG. 5

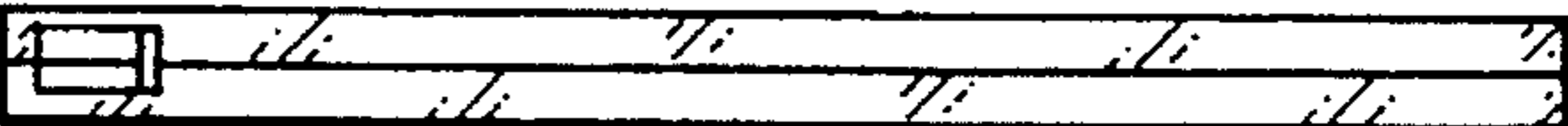


FIG. 2

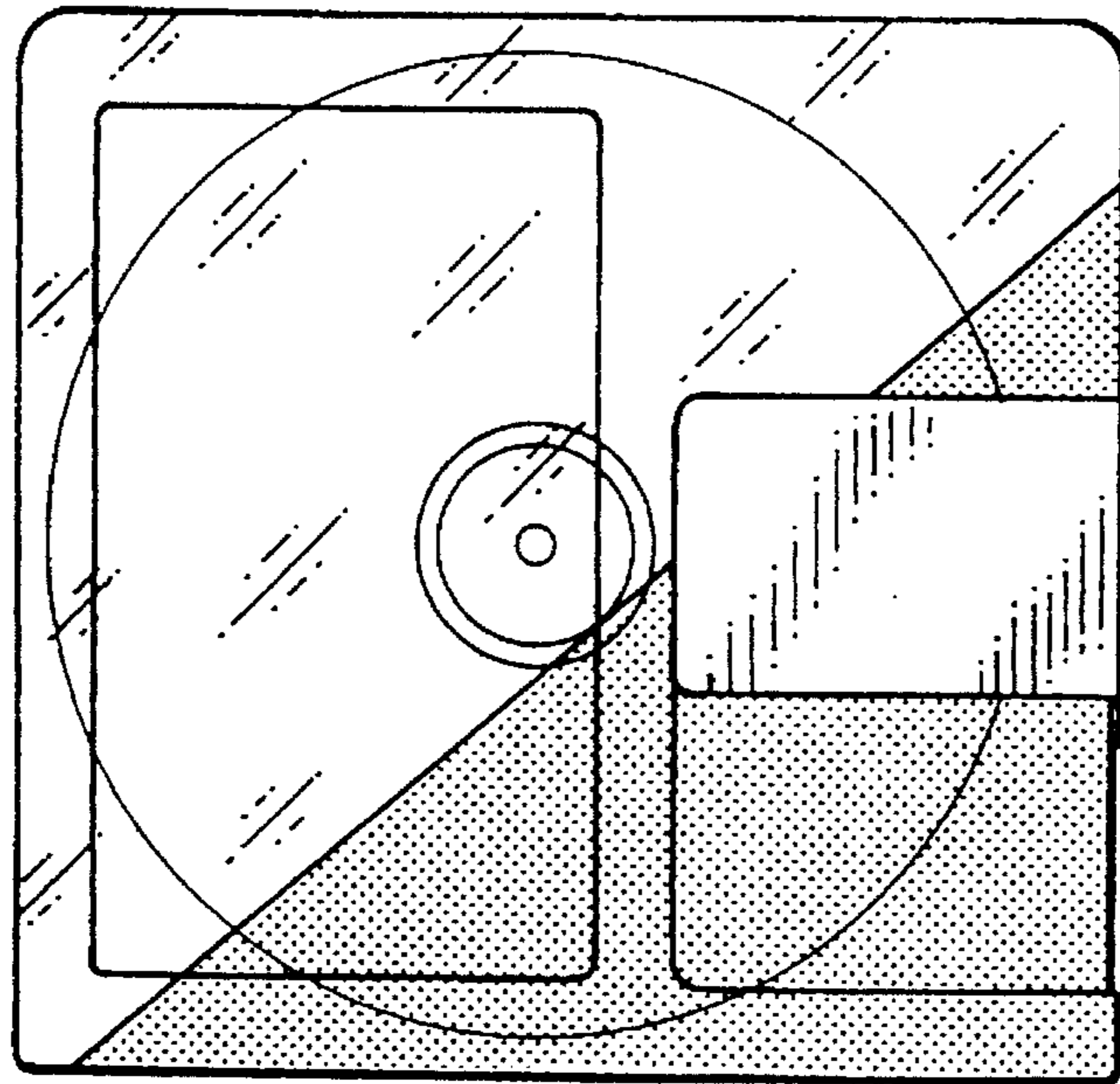


FIG. 3

