



US00D374218S

United States Patent [19]

[11] Patent Number: **Des. 374,218**

Sanchez et al.

[45] Date of Patent: ****Oct. 1, 1996**

[54] **HANDLE FOR A COMPUTER INPUT DEVICE**

[75] Inventors: **Russell Sanchez; Mike Paull; Steven Kaneko; Christopher Alviar; Claire Beliard**, all of Seattle, Wash.

[73] Assignee: **Microsoft Corporation**, Redmond, Wash.

[**] Term: **14 Years**

[21] Appl. No.: **37,622**

[22] Filed: **Apr. 17, 1995**

Related U.S. Application Data

[63] Continuation-in-part of Ser. No. 31,814, Dec. 6, 1994, Pat. No. Des. 366,655.

[52] **U.S. Cl.** **D14/114**

[58] **Field of Search** D14/114; D13/158; D21/48, 13; 74/471 XY; 178/18, 19; 200/5 A, 5 R, 6 A, 6 R; 273/148 B; 345/156-167

[56] References Cited

U.S. PATENT DOCUMENTS

D. 279,202	6/1985	Kim	D21/48
D. 287,255	12/1986	Watson, Jr.	D21/48
D. 297,952	10/1988	Ishiwata	D21/148
D. 303,815	10/1989	Kim	D21/48
D. 305,756	1/1990	Parker et al.	D14/114
D. 306,615	3/1990	Hayes	D21/48
D. 317,331	6/1991	Holloway	D21/48
D. 317,949	7/1991	Tse	D21/48
D. 319,612	9/1991	Ropp et al.	D12/179
D. 330,020	10/1992	Jung	D14/114
D. 330,371	10/1992	Tse	D14/114
D. 331,044	11/1992	Tse	D14/114
D. 340,479	10/1993	Ho	D21/48
D. 342,763	12/1993	Tse	D21/48
D. 347,028	5/1994	Galden	D21/48
D. 350,373	9/1994	Chow et al.	D21/48
D. 352,331	11/1994	Wu	D21/48

D. 352,739	11/1994	Ho	D21/48
D. 353,410	12/1994	Chan	D21/48
D. 354,092	1/1995	Ho	D21/48
D. 360,884	8/1995	Onuma et al.	D14/114
D. 362,244	9/1995	Takemasa	D14/114
D. 363,710	10/1995	Mateus et al.	D14/114
D. 366,475	1/1996	Sanchez et al.	D14/114
D. 366,655	1/1996	Sanchez et al.	D14/114
5,389,950	2/1995	Bouton	345/156

OTHER PUBLICATIONS

Triax Controller, Triax Technologies, Product Announcement, Jan. 1994.

Phoenix Flight Control System, Advanced Gravis Computer Technology Ltd., Product Brochure, Aug. 1994.

Super Warrior Joystick Quick Shot Patent Ltd., Product Brochure, Jun. 1994.

WingMan Extreme Joystick, Logitech International, Product Announcement, Aug. 1994.

"They're Not Just For Mice Anymore," *PC Gamer*, Oct. 1994.

Primary Examiner—Freda Nunn

Attorney, Agent, or Firm—Seed and Berry LLP

[57] CLAIM

The ornamental design for a handle for a computer input device, as shown and described.

DESCRIPTION

FIG. 1 is a rear isometric view of a handle for a computer input device showing our new design:

FIG. 2 is a right side elevational view thereof;

FIG. 3 is a left side elevational view thereof;

FIG. 4 is a front elevational view thereof;

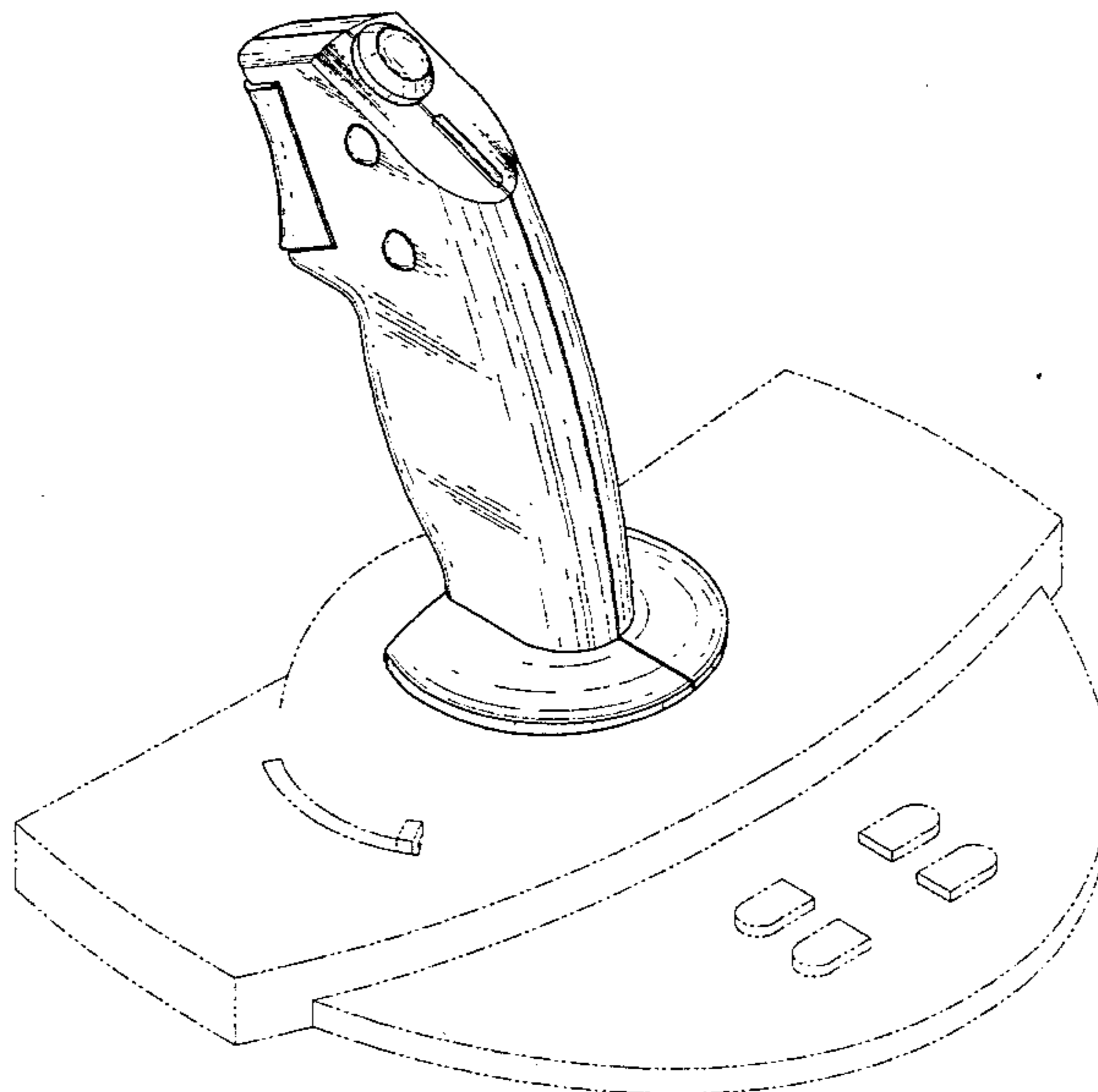
FIG. 5 is a rear elevational view thereof;

FIG. 6 is a top plan view thereof; and,

FIG. 7 is a bottom plan view thereof.

The broken lines are for illustrative purposes only and form no part of the claimed design.

1 Claim, 3 Drawing Sheets



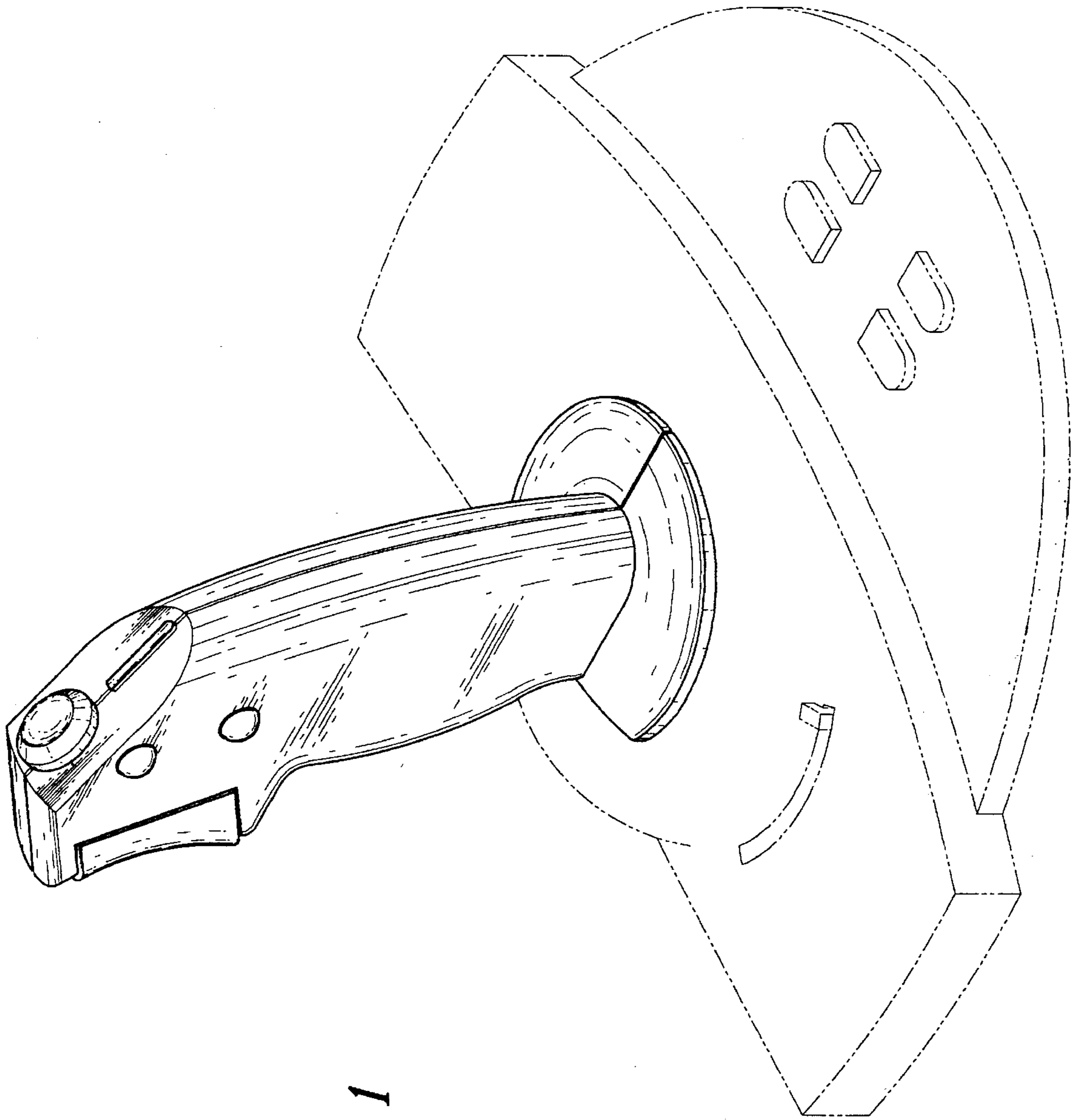


Fig. 1

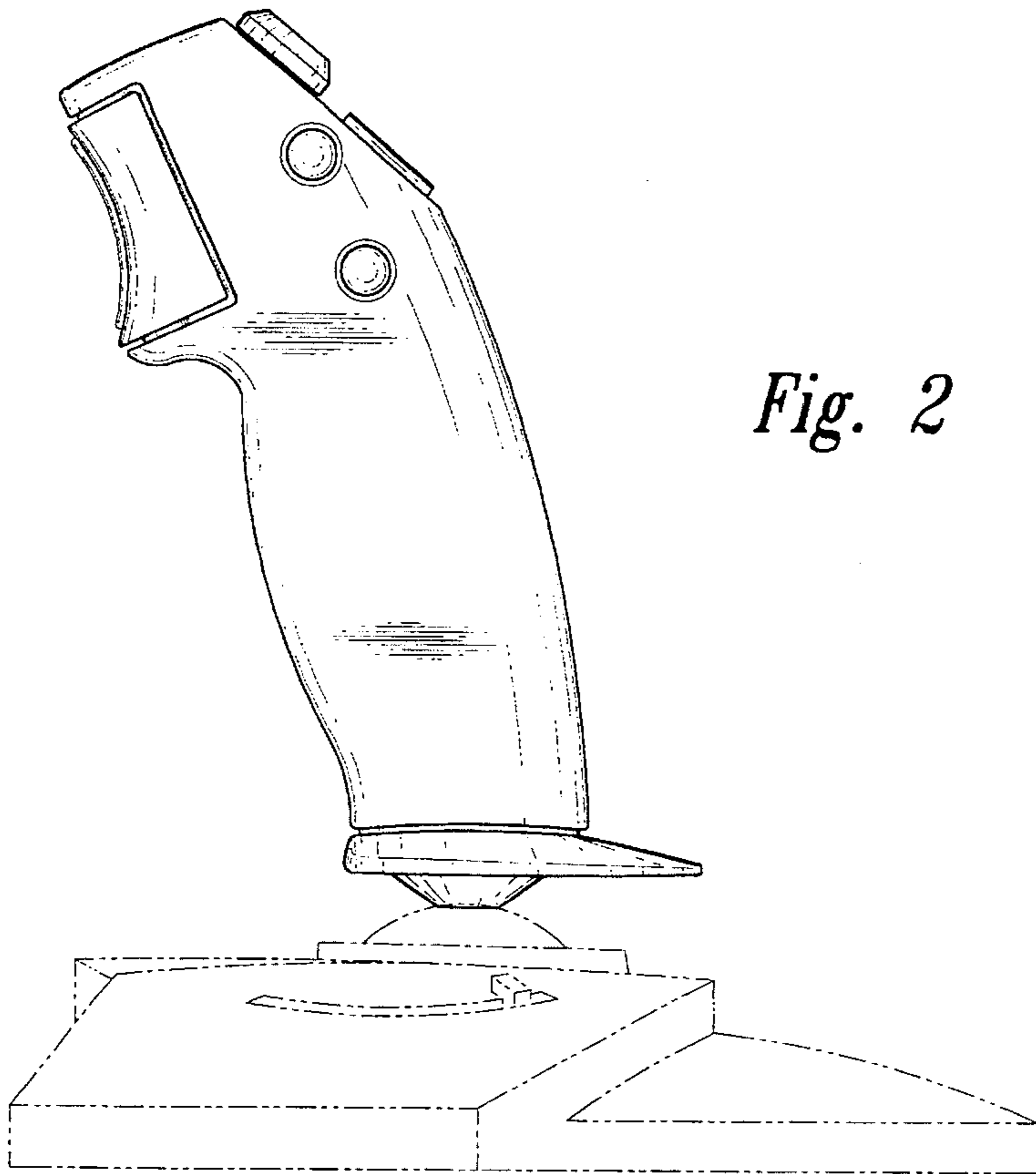
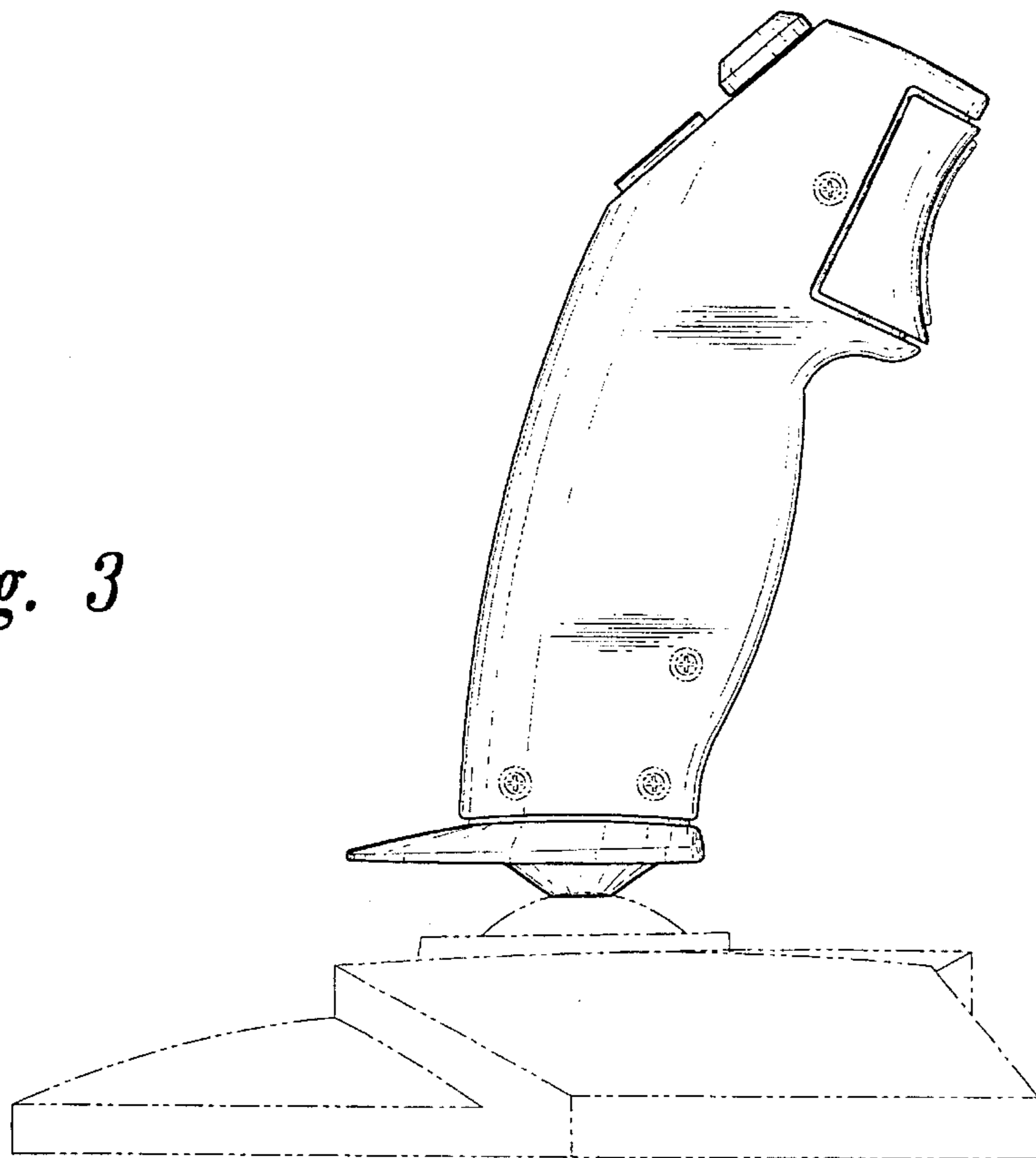


Fig. 2

Fig. 3



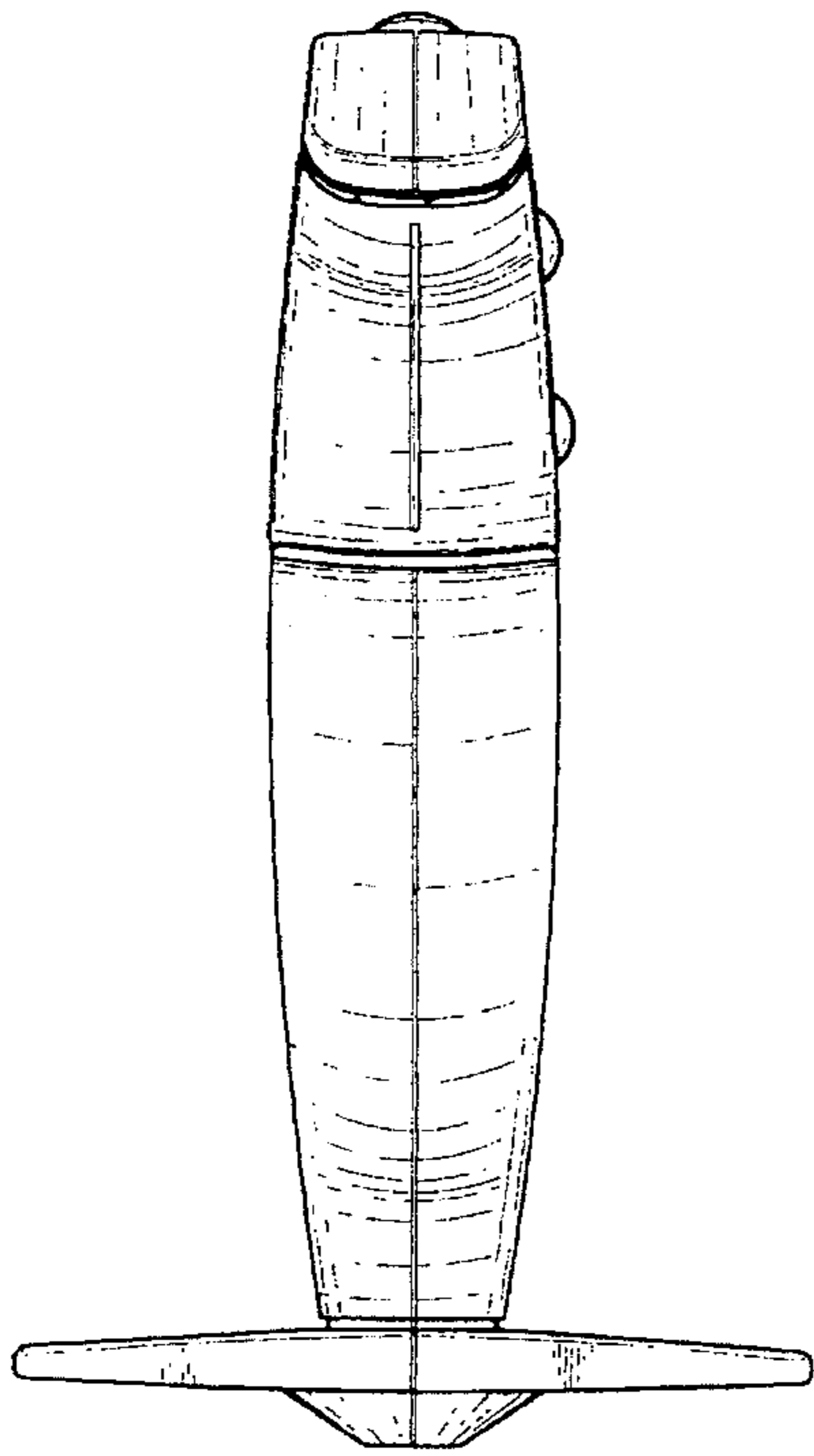


Fig. 4

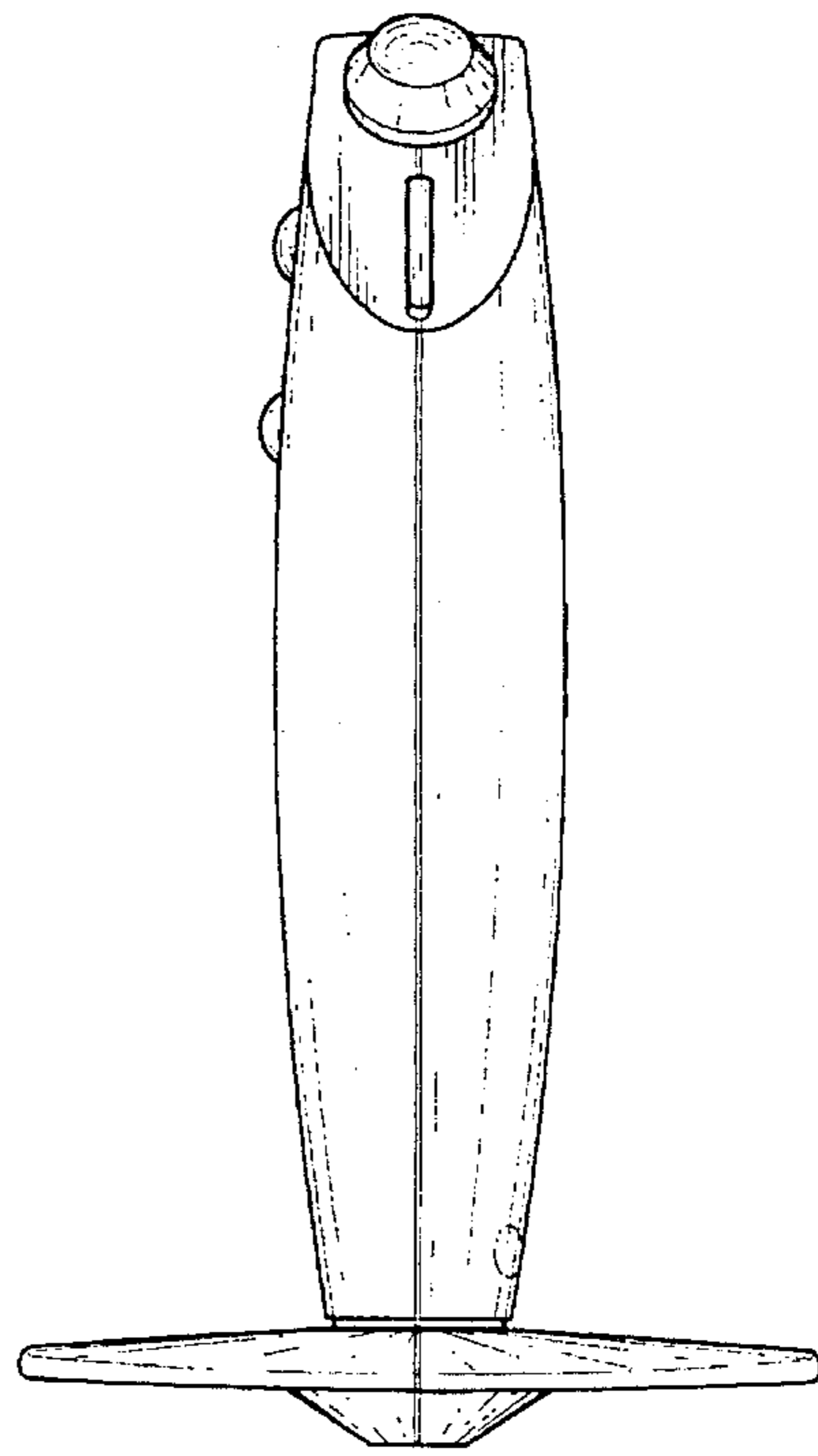


Fig. 5

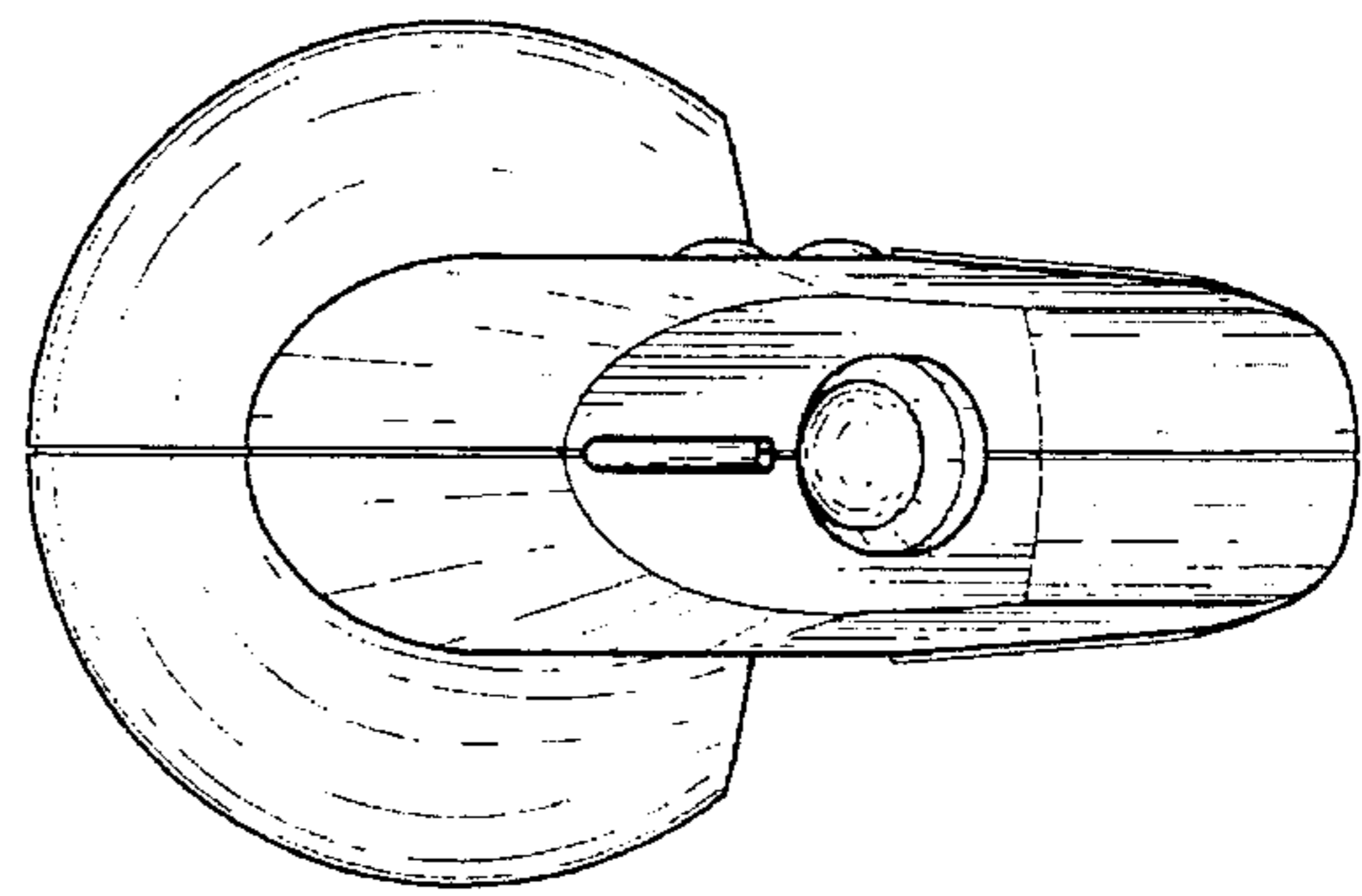


Fig. 6

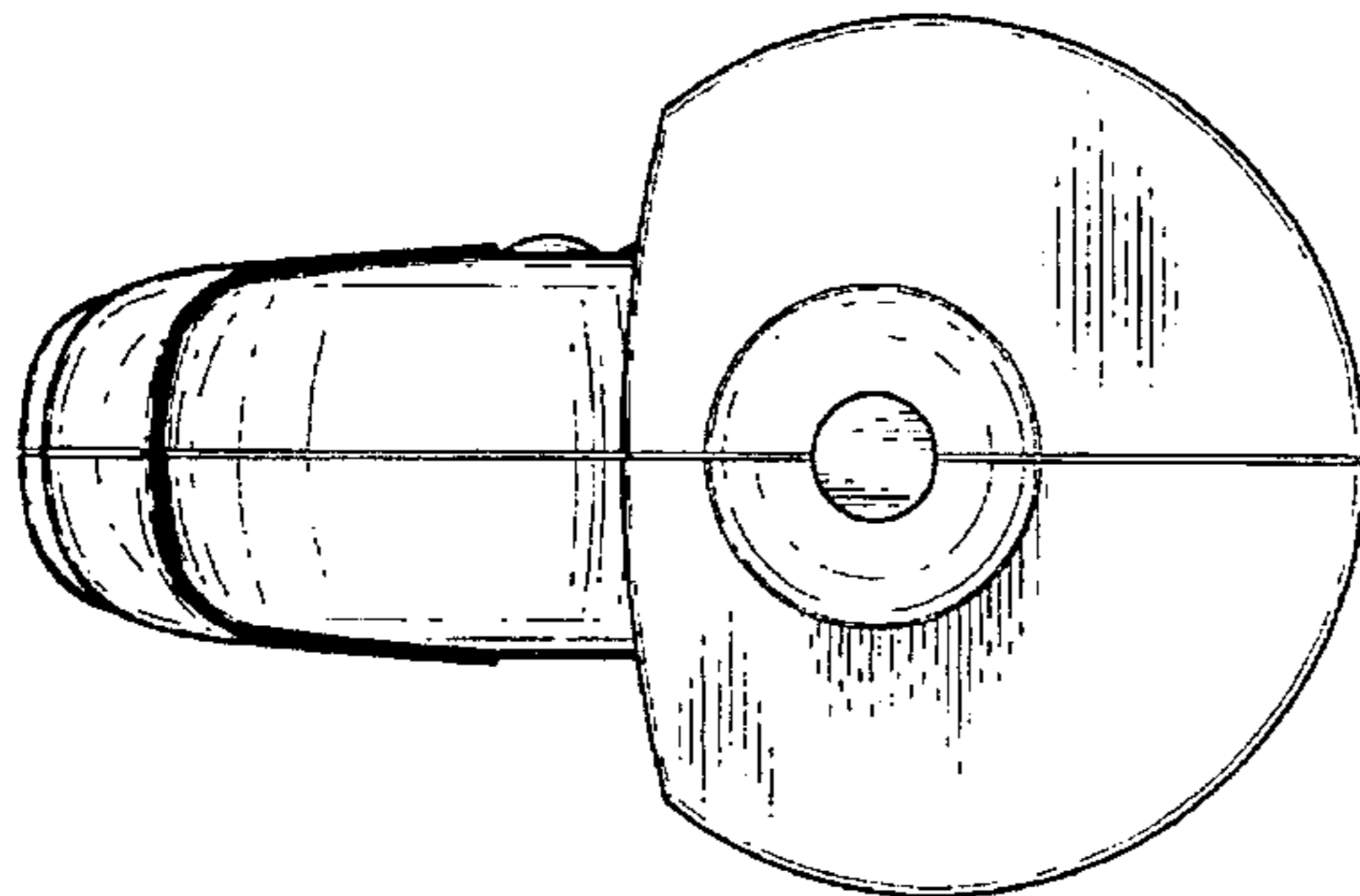


Fig. 7