



US00D374213S

United States Patent [19]

[11] Patent Number: **Des. 374,213**

Jones et al.

[45] Date of Patent: ****Oct. 1, 1996**

[54] **ELECTRONIC ORGANIZER HOUSING**

D. 354,073	1/1995	Shigemura	D18/7 X
D. 354,742	1/1995	Hamilton	D14/100
D. 355,166	2/1995	Sakaguchi et al.	D14/100
D. 355,170	2/1995	Mizusugi et al.	D14/100

[75] Inventors: **Jeffery M. Jones**, Highland Park, Ill.;
Joe T. K. Shan, Central Hong Kong,
Hong Kong

OTHER PUBLICATIONS

[73] Assignee: **Tiger Electronics, Inc.**, Vernon Hills,
Ill.

Midway Mortal Kombat product, shown on p. 84 (copyright
1992) from Jan., 1994 edition of Tiger Electronics, Inc.,
book entitled *Lightning Strikes Again*.

[**] Term: **14 Years**

Primary Examiner—Freda Nunn
Attorney, Agent, or Firm—Fitch, Even, Tabin & Flannery

[21] Appl. No.: **47,703**

[22] Filed: **Dec. 11, 1995**

[57] CLAIM

Related U.S. Application Data

The ornamental design for the electronic organizer housing,
as shown and described.

[63] Continuation-in-part of Ser. No. 33,681, Jan. 18, 1995,
abandoned.

DESCRIPTION

[52] U.S. Cl. **D14/100**

[58] **Field of Search** D14/100, 106,
D14/115; D18/1, 2, 7; D19/59, 60; D21/13,
48; 235/145 A, 145 R; 341/22, 23; 345/156,
168, 169, 172, 173, 87; 364/708.1

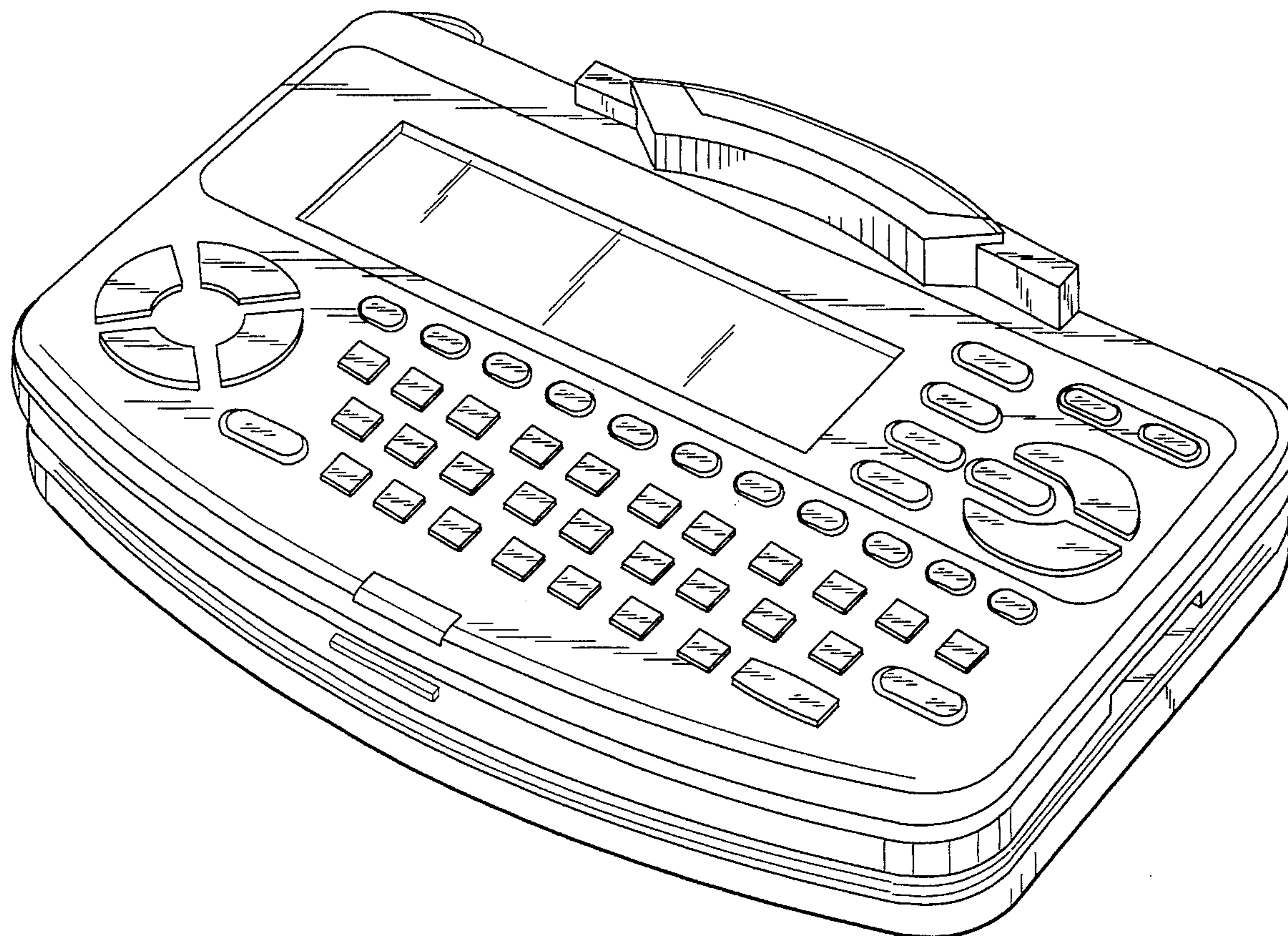
FIG. 1 is a perspective view of an electronic organizer
housing showing our new design;
FIG. 2 is a rear elevational view thereof;
FIG. 3 is a front elevation view thereof;
FIG. 4 is a top plan view thereof;
FIG. 5 is a bottom plan view thereof;
FIG. 6 is a left side view thereof; and,
FIG. 7 is a right side view thereof.

[56] References Cited

U.S. PATENT DOCUMENTS

D. 333,298	2/1993	Raslowky et al.	D14/100
D. 343,831	2/1994	Spoeth	D14/106

1 Claim, 4 Drawing Sheets



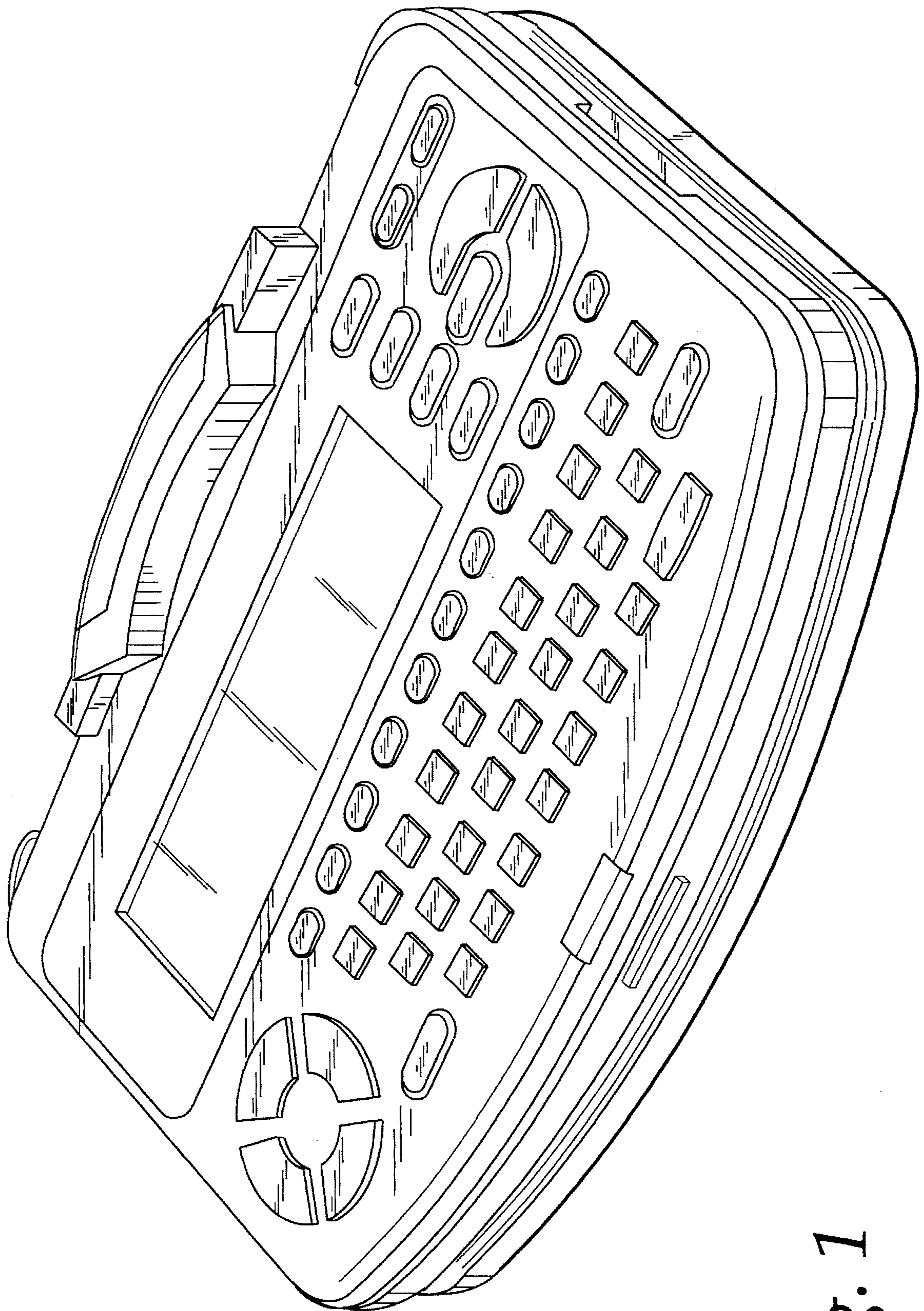


Fig. 1

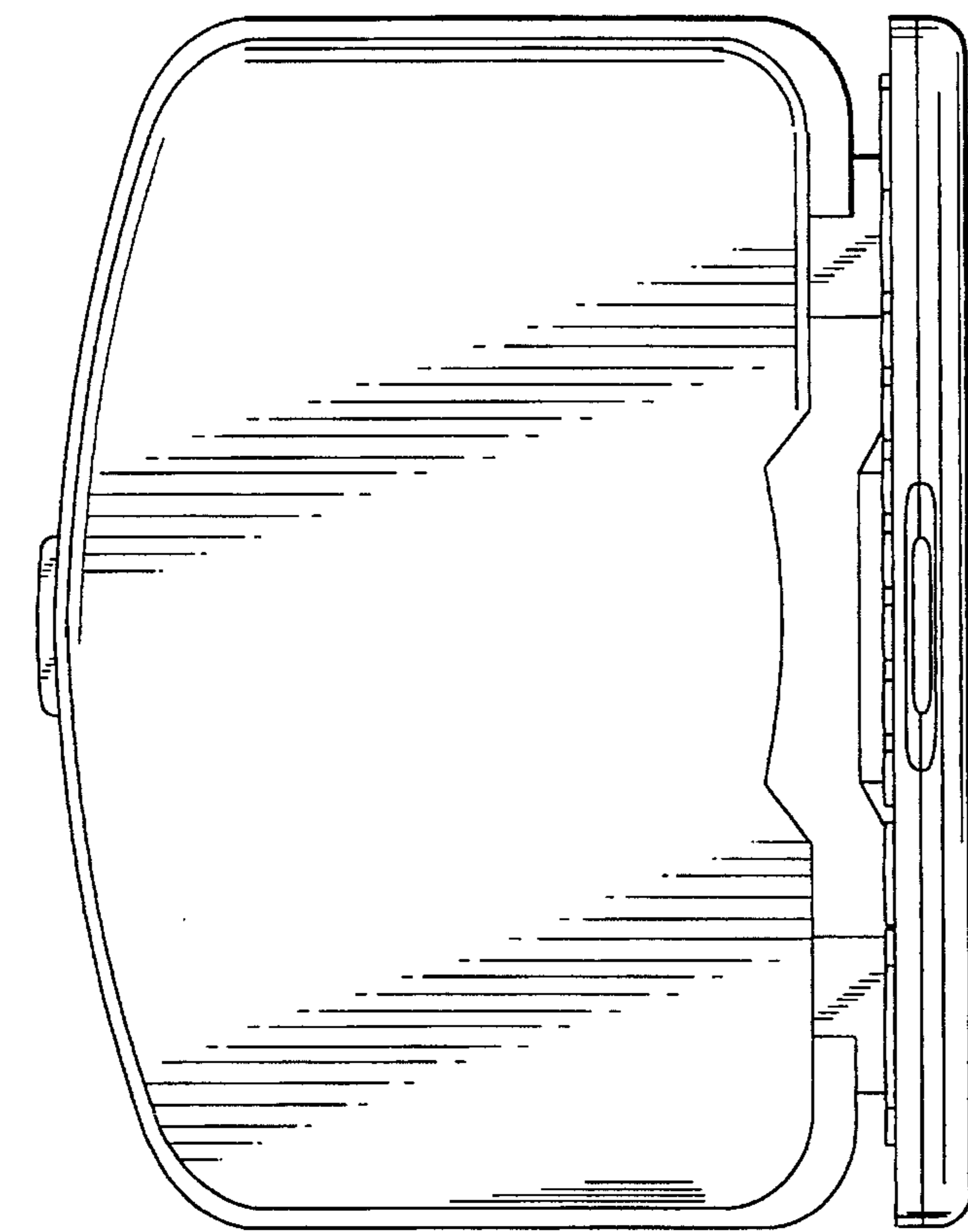


Fig. 2

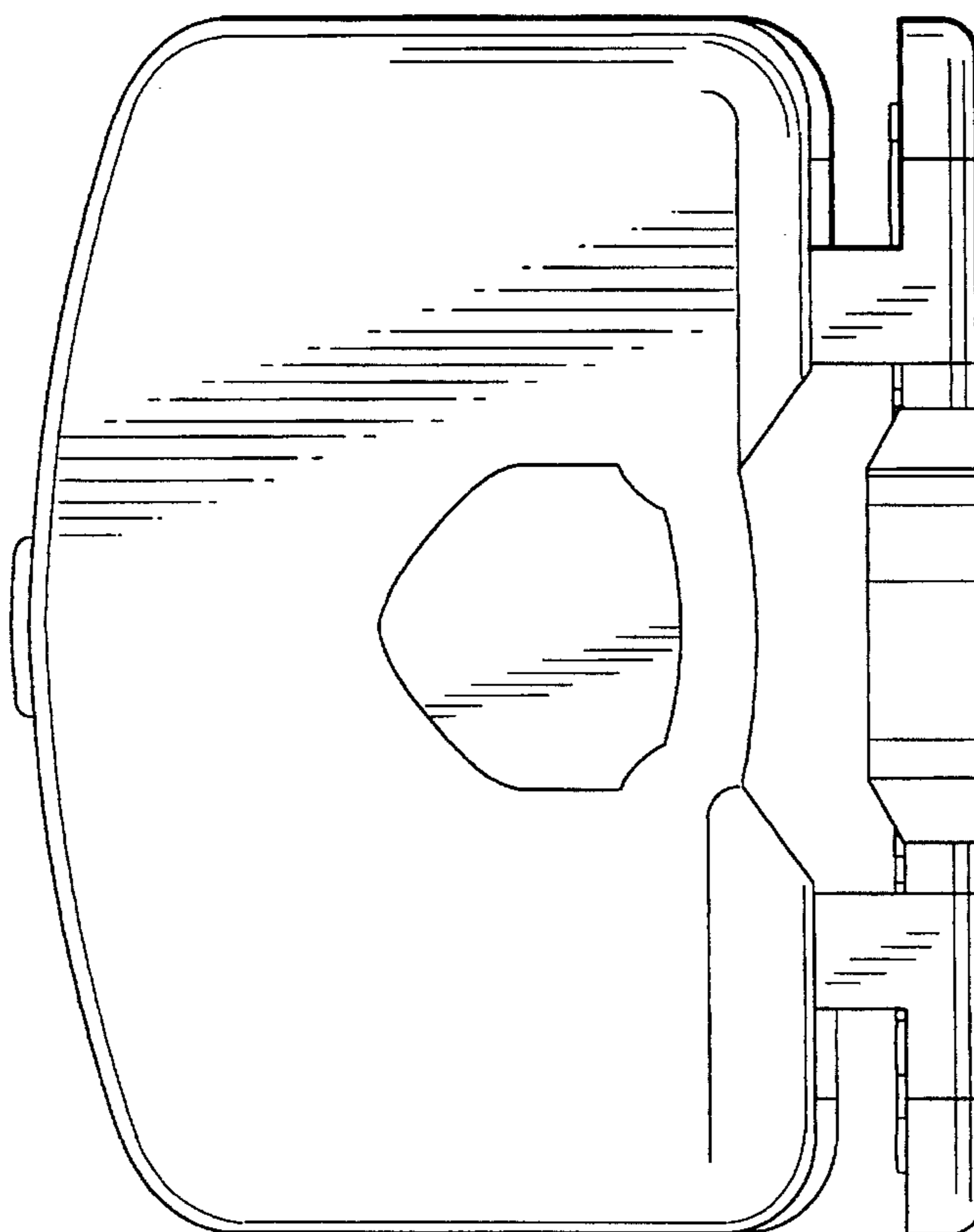


Fig. 3

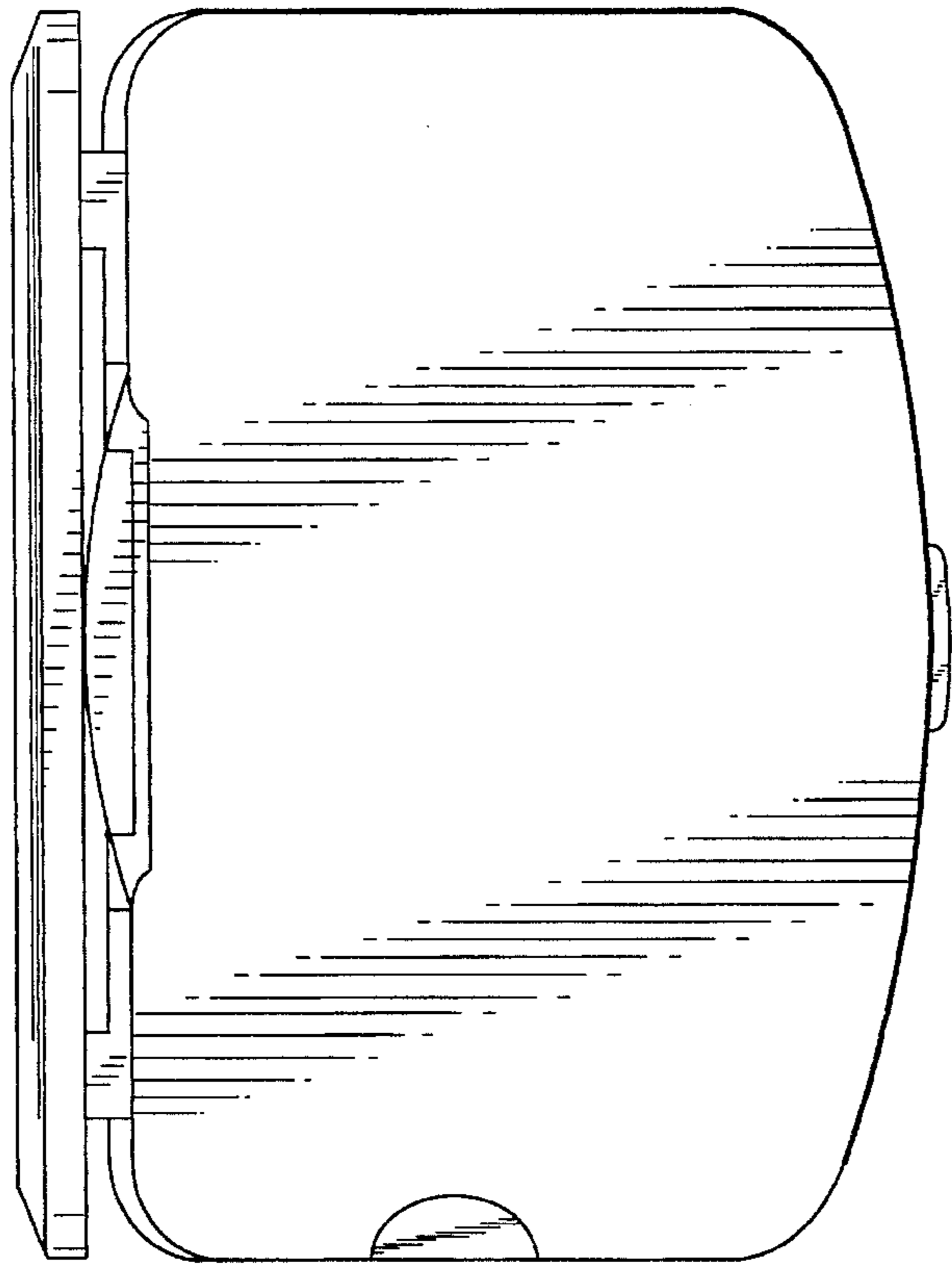


Fig. 5

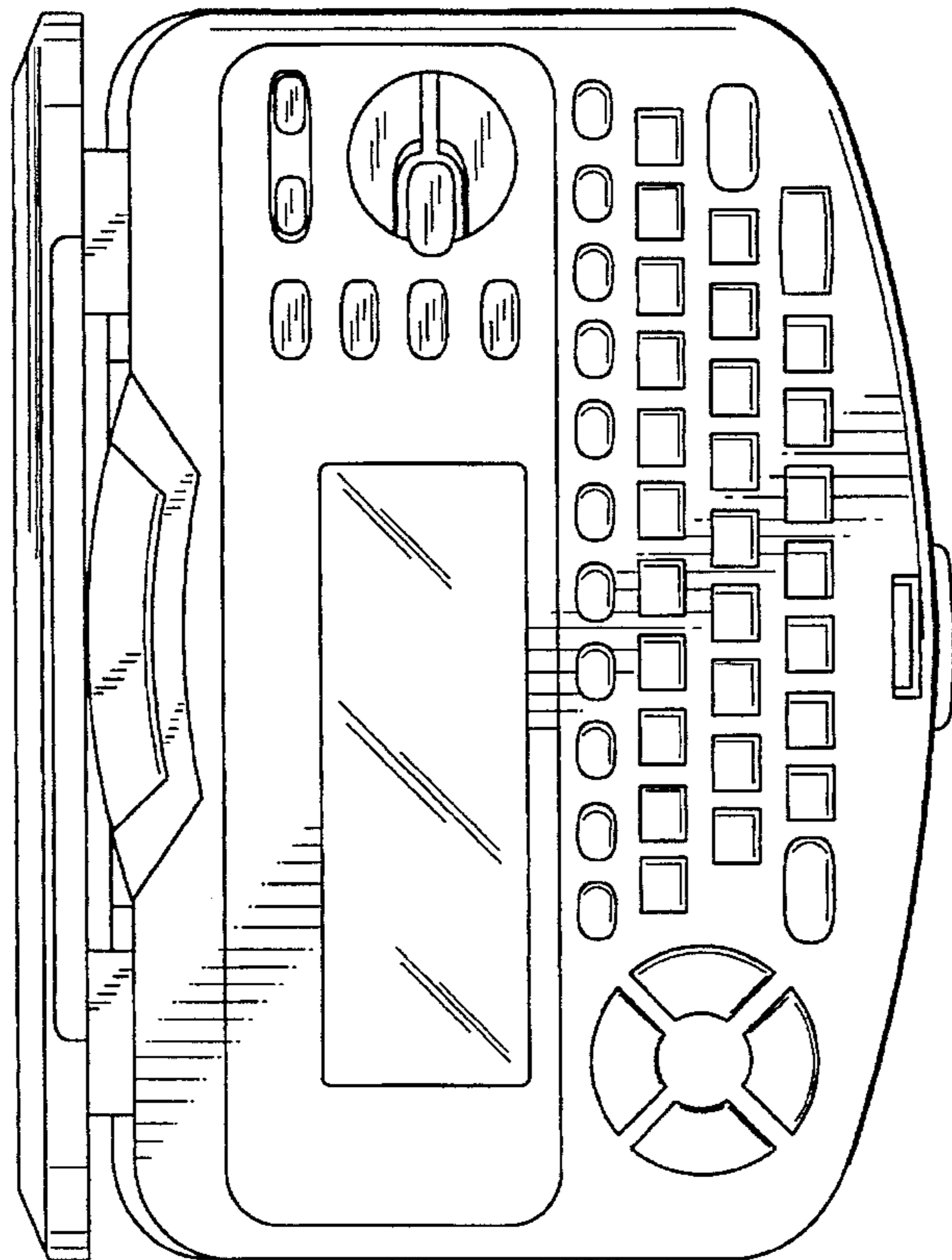


Fig. 4

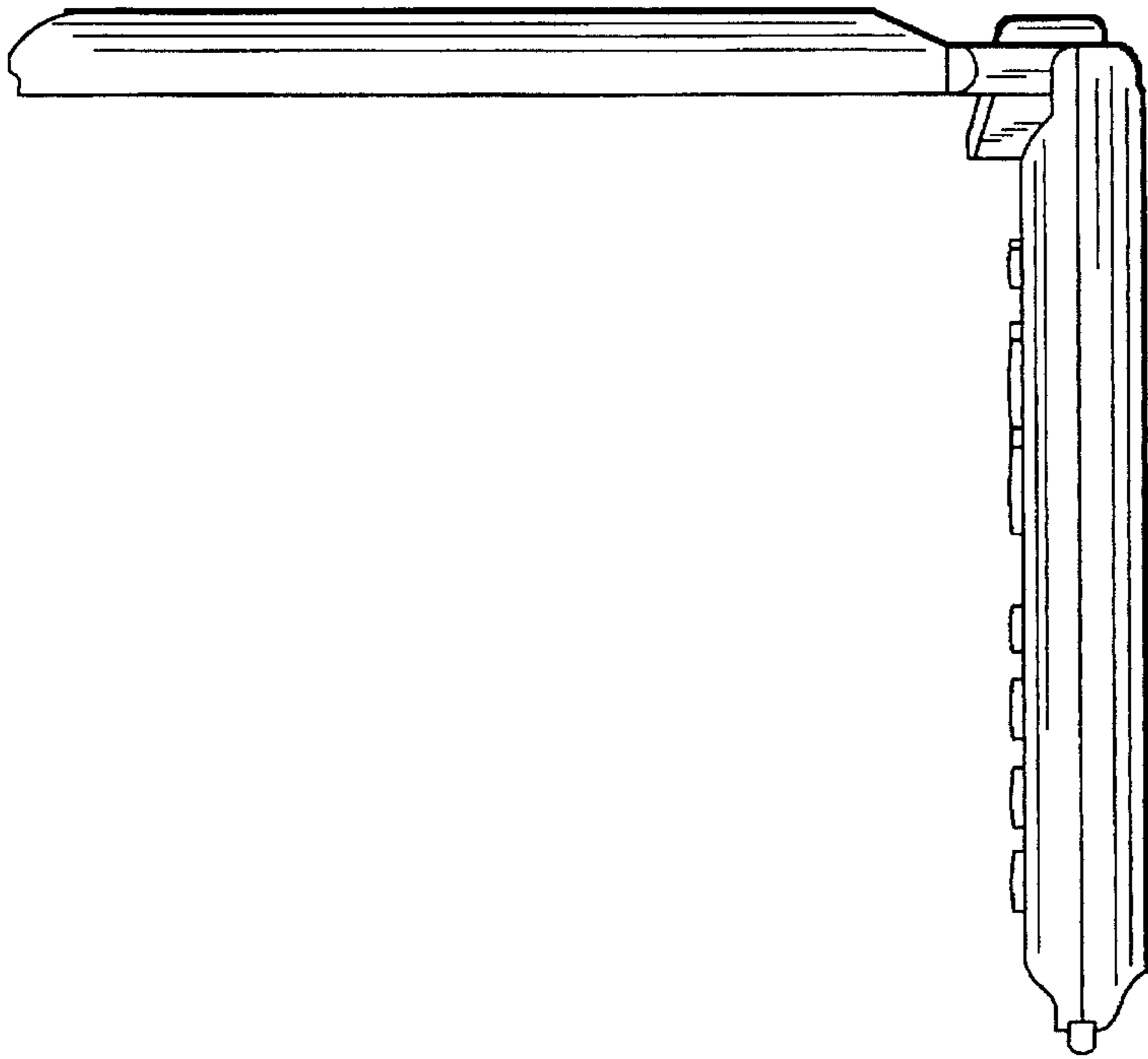


Fig. 7

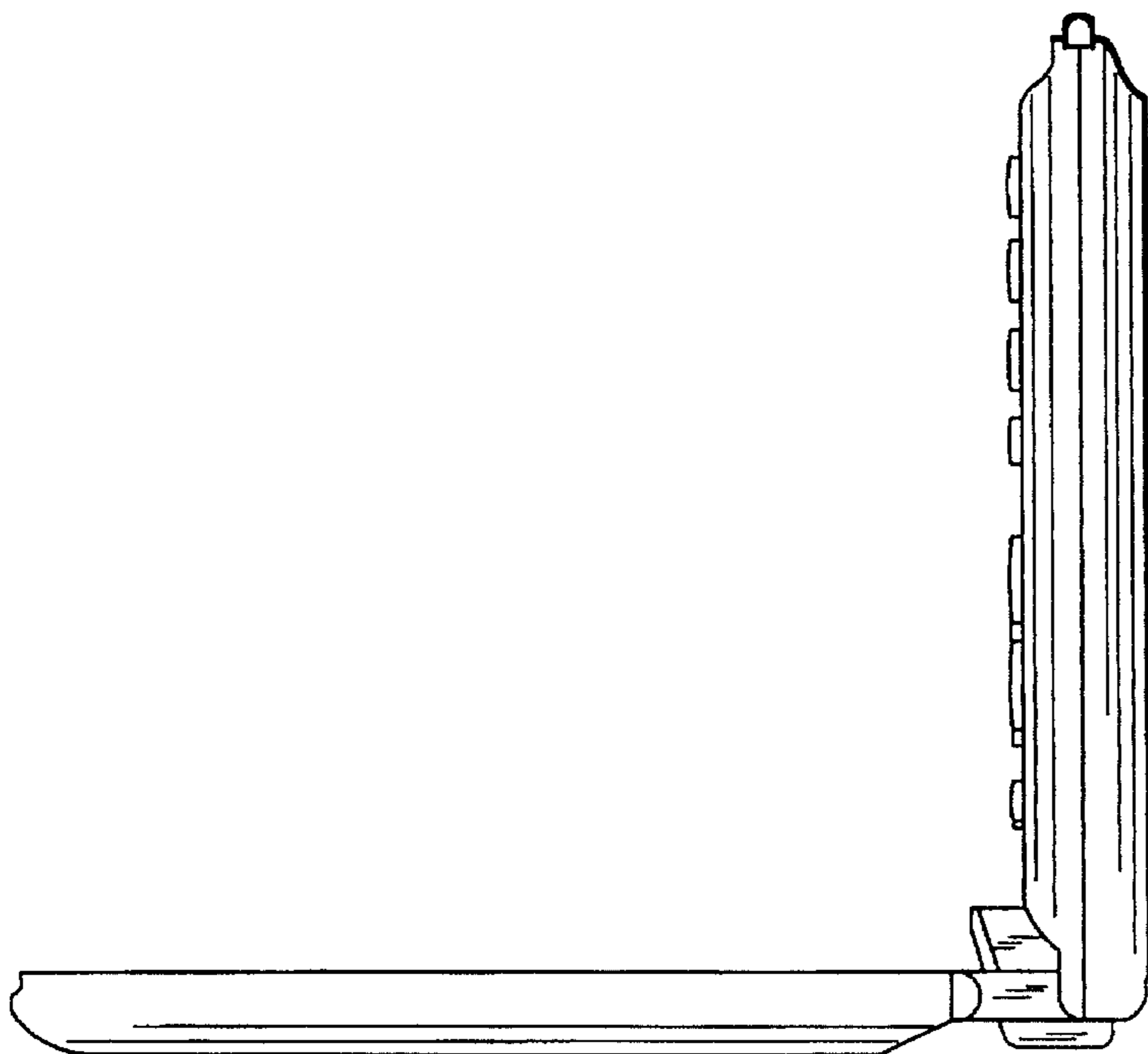


Fig. 6