



US00D374212S

# United States Patent [19]

Fukao et al.

[11] Patent Number: **Des. 374,212**

[45] Date of Patent: **\*\*Oct. 1, 1996**

[54] **ELECTRICAL RECEPTACLE FOR CHARGING PLUG**

[75] Inventors: **Yasuyoshi Fukao; Toshiyuki Sekimori; Hiromichi Kuno**, all of Toyota; **Nobuaki Yoshioka**, Shizuoka-ken; **Toshiaki Hasegawa**, Shizuoka-ken; **Shigemitsu Inaba**, Shizuoka-ken, all of Japan

[73] Assignees: **Yazaki Sogyo K.K.; Toyota Jidosha K.K.**, both of Japan

[\*\*] Term: **14 Years**

[21] Appl. No.: **41,575**

[22] Filed: **Jul. 18, 1995**

### Related U.S. Application Data

[62] Division of Ser. No. 20,085, Mar. 18, 1994, Pat. No. 367,644.

### [30] Foreign Application Priority Data

Sep. 20, 1993 [JP] Japan ..... 5-28067  
[52] U.S. Cl. .... **D13/146**  
[58] Field of Search ..... D13/146; 320/2; 439/34, 266, 310, 352, 372

### [56] References Cited

#### U.S. PATENT DOCUMENTS

D. 329,840 9/1992 Nociar ..... D13/146  
D. 344,490 2/1994 Nociar ..... D13/146  
3,315,131 4/1967 Klimak et al. .... 439/573 X  
4,037,907 7/1977 Klimek et al. .... 439/142

4,072,381 2/1978 Burkhart et al. .... 439/503 X  
4,138,187 2/1979 Brygger ..... 439/142  
4,245,875 1/1981 Shaffer et al. .... 439/144

### OTHER PUBLICATIONS

“European Battery Motive Products”, Anderson Power Products Catalog, pp. 8, 9. (Admitted Prior Art).  
“GT Series: GT/GTC Connectors”, JAE Catalog, pp. 12, 13 (with partial English translation), Jul. 1979.  
“Connectors Guide”, JAE Catalog, pp. 14, 15 (with partial English translation), Jan., 1991.

*Primary Examiner*—Joel Sincavage  
*Attorney, Agent, or Firm*—Saidman DesignLaw Group

### [57] CLAIM

The ornamental design for an electrical receptacle for charging plug, as shown and described.

### DESCRIPTION

FIG. 1 is a front perspective view of an electrical receptacle for charging plug showing our new design;  
FIG. 2 is the same view thereof as FIG. 1, but with the cover shown open;  
FIG. 3 is a rear perspective view thereof;  
FIG. 4 is the same view thereof as FIG. 3, but with the cover shown open;  
FIG. 5 is a top plan view thereof;  
FIG. 6 is a front elevational view thereof;  
FIG. 7 is a rear elevational view thereof;  
FIG. 8 is a bottom plan view thereof;  
FIG. 9 is a right end elevational view thereof; and,  
FIG. 10 is a left end elevational view thereof.

**1 Claim, 5 Drawing Sheets**

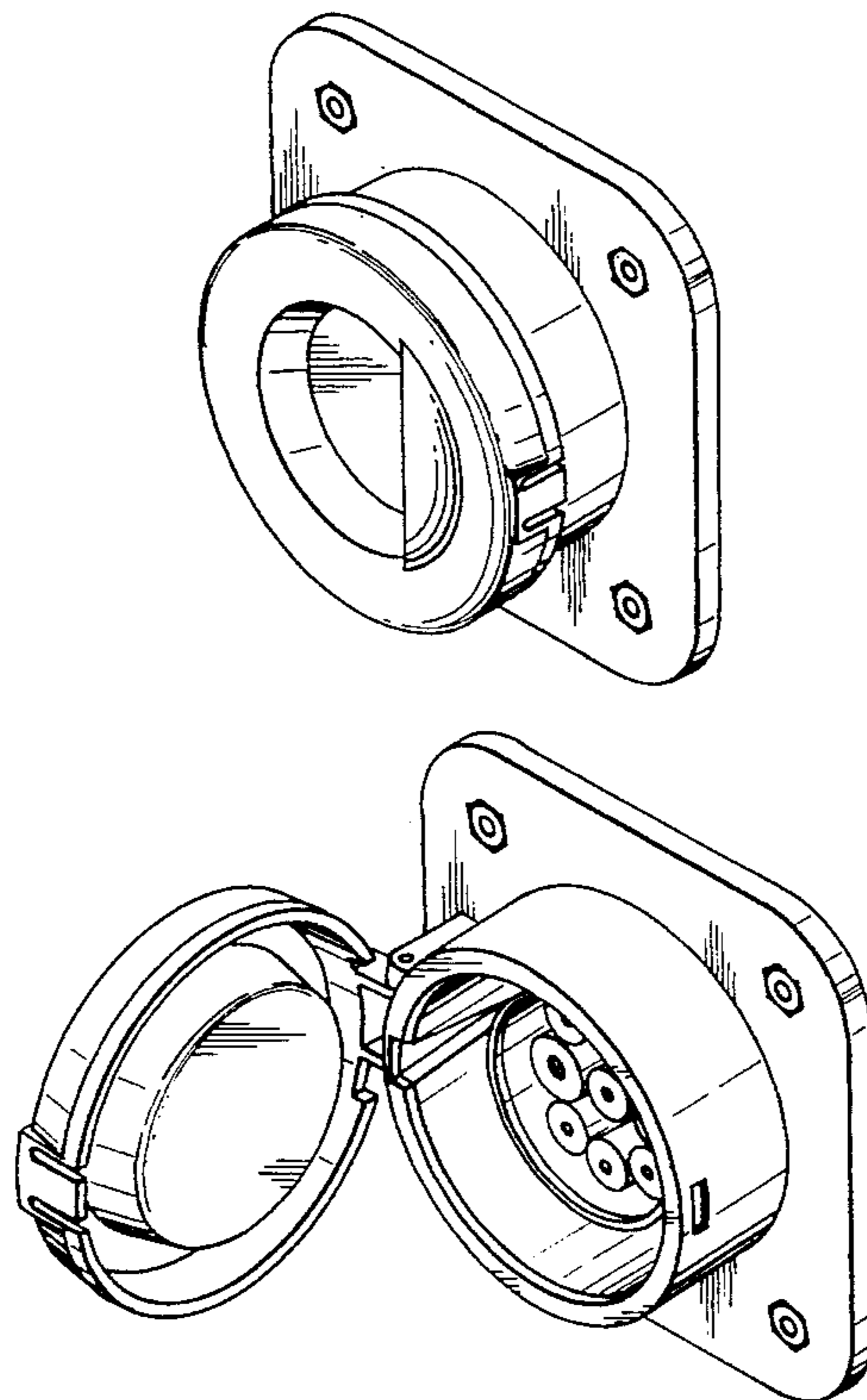


FIG. 1

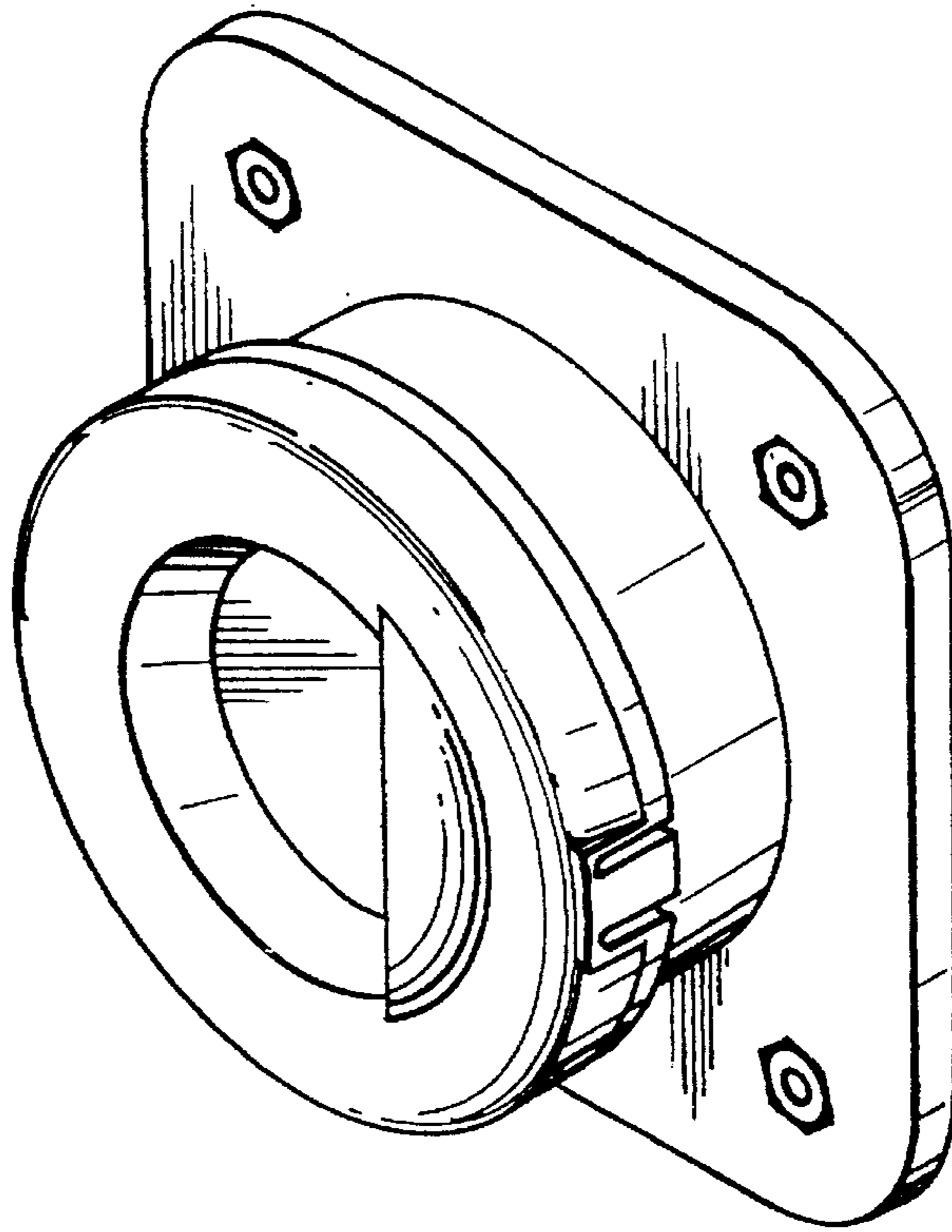


FIG. 2

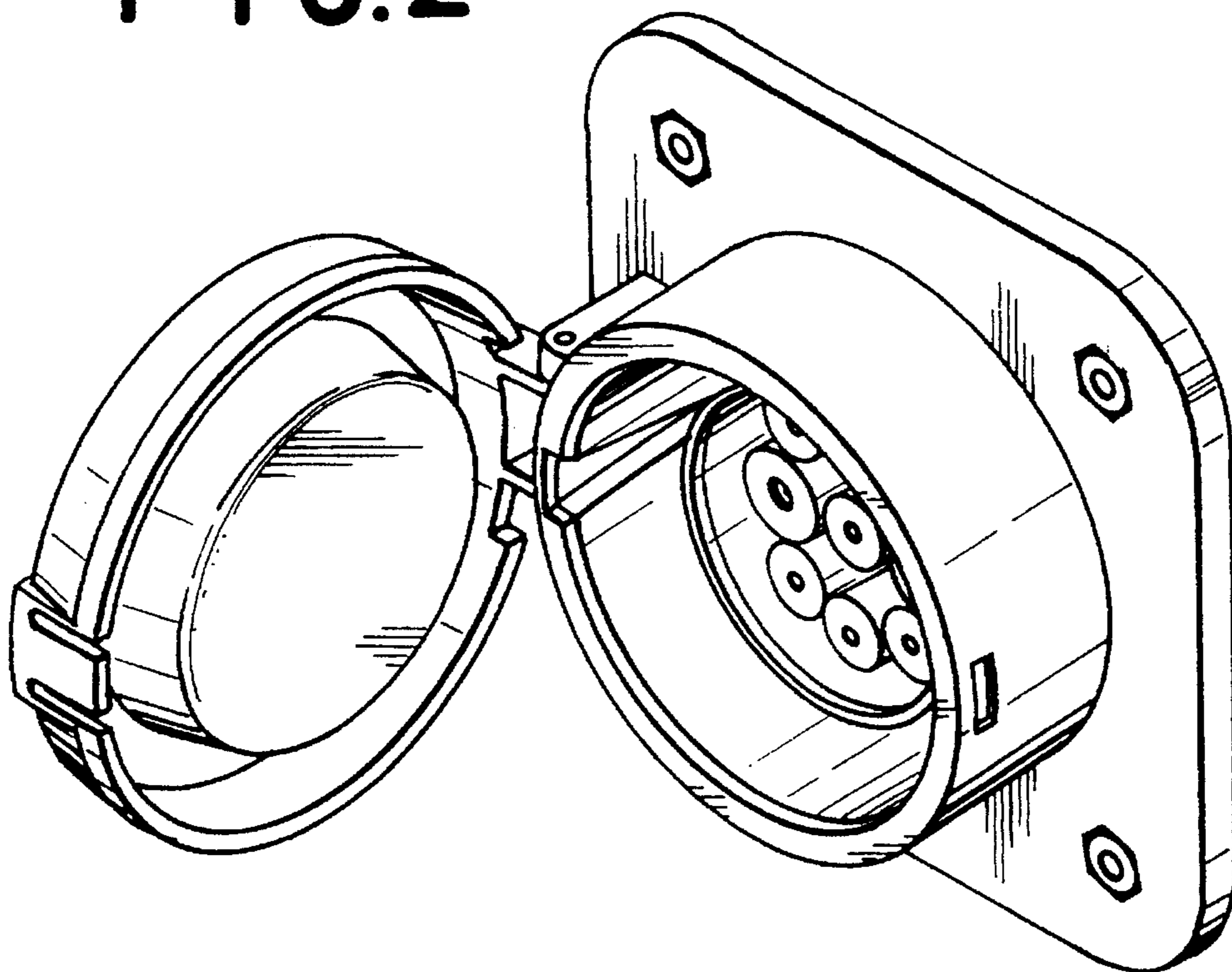


FIG. 3

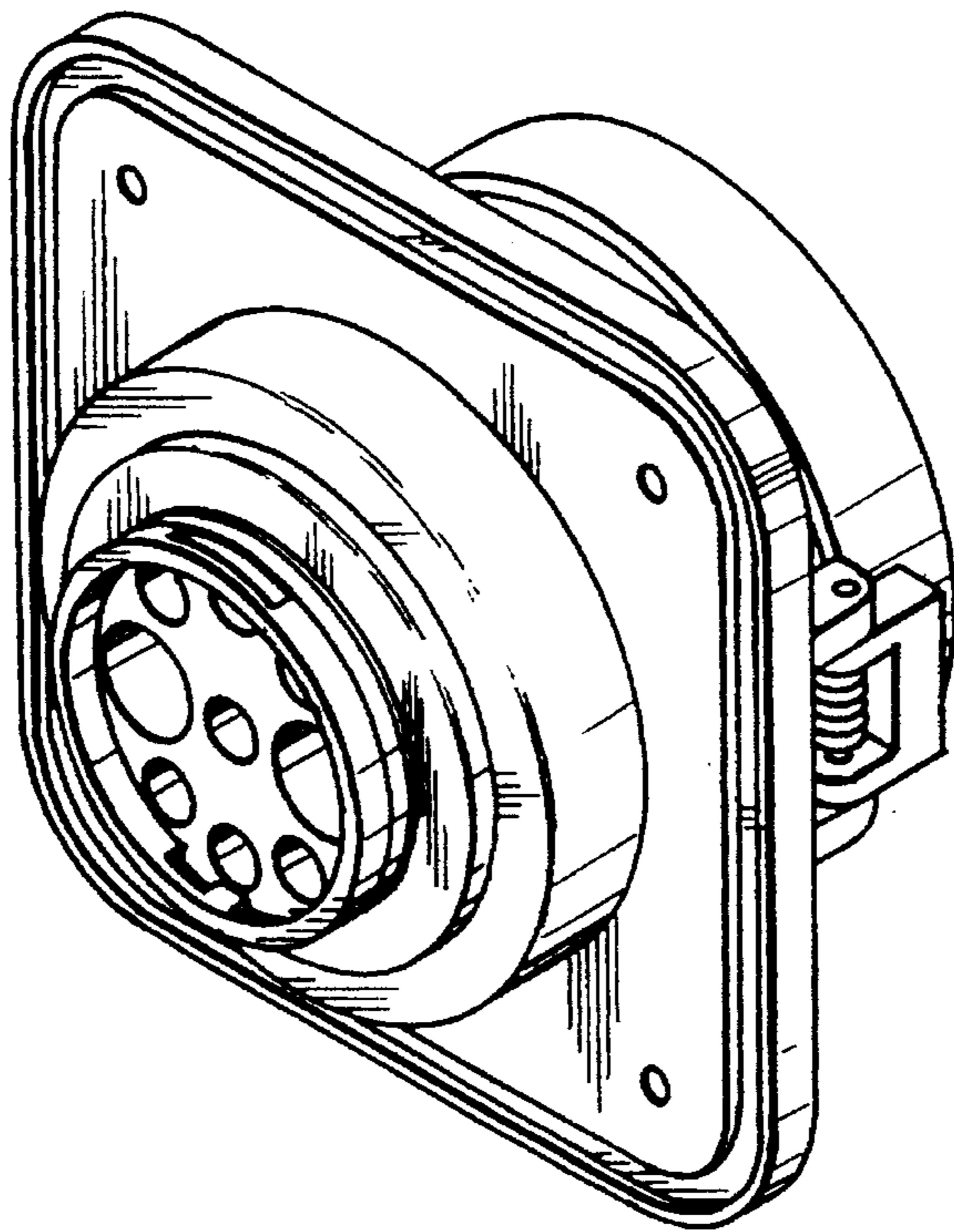
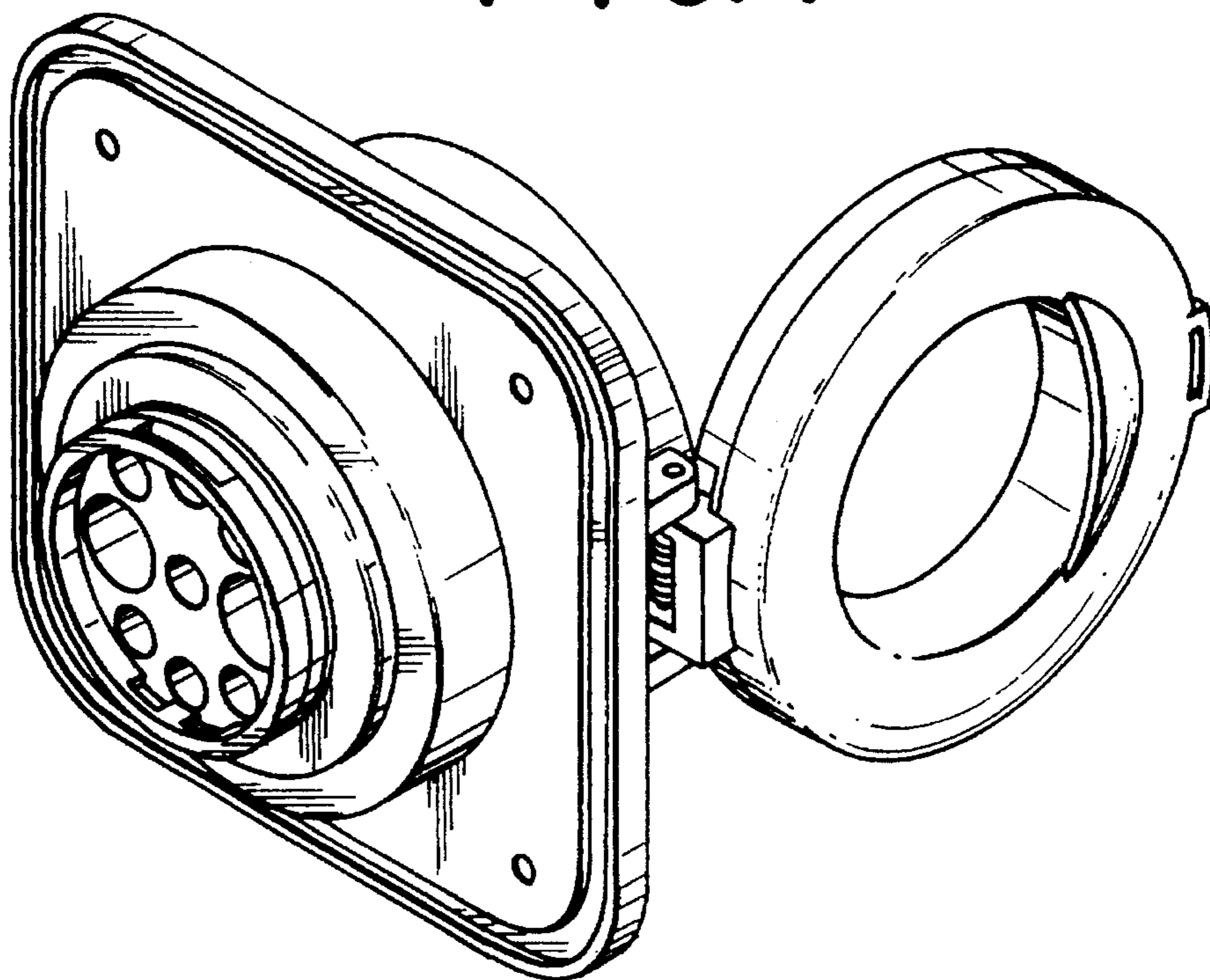
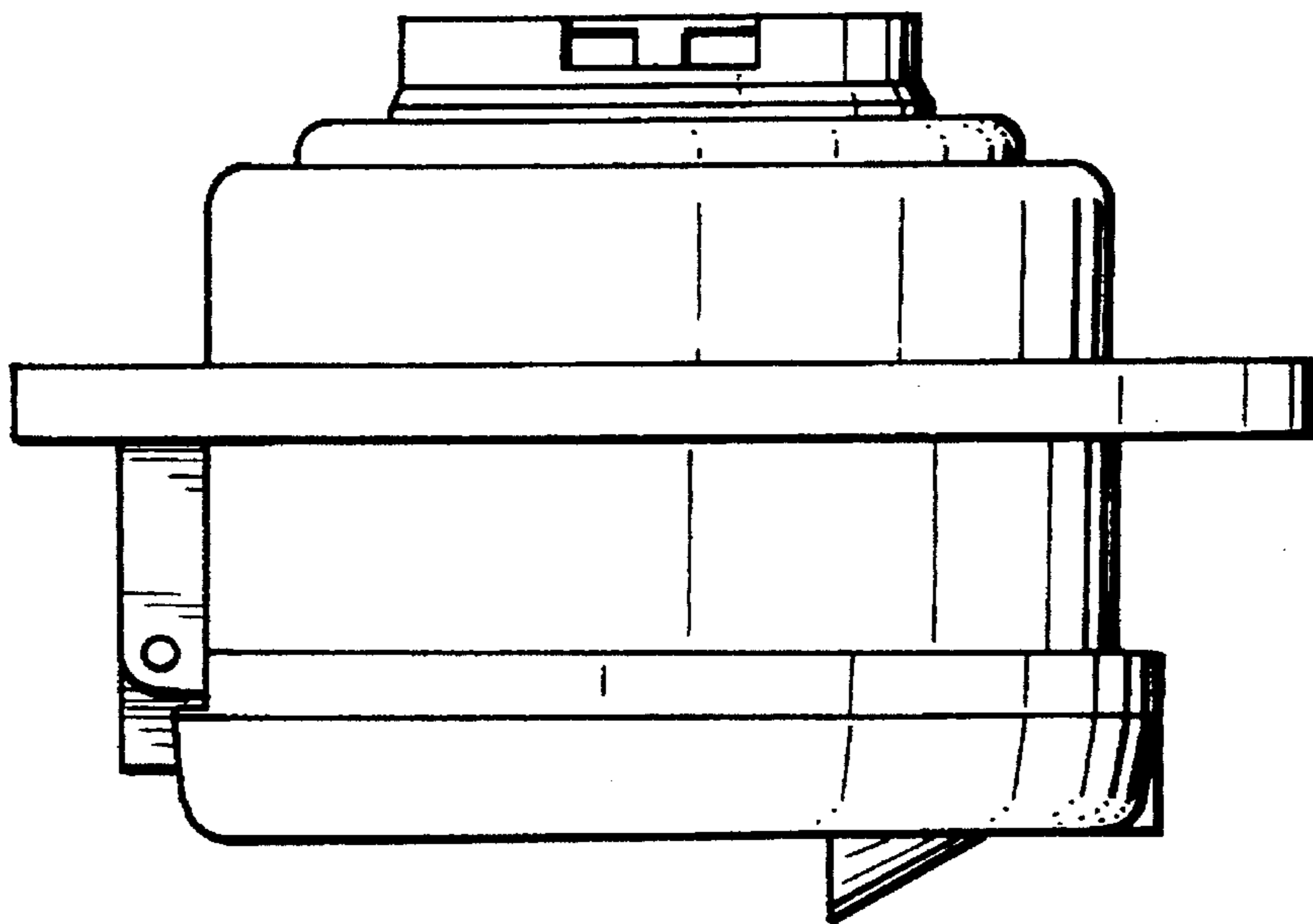


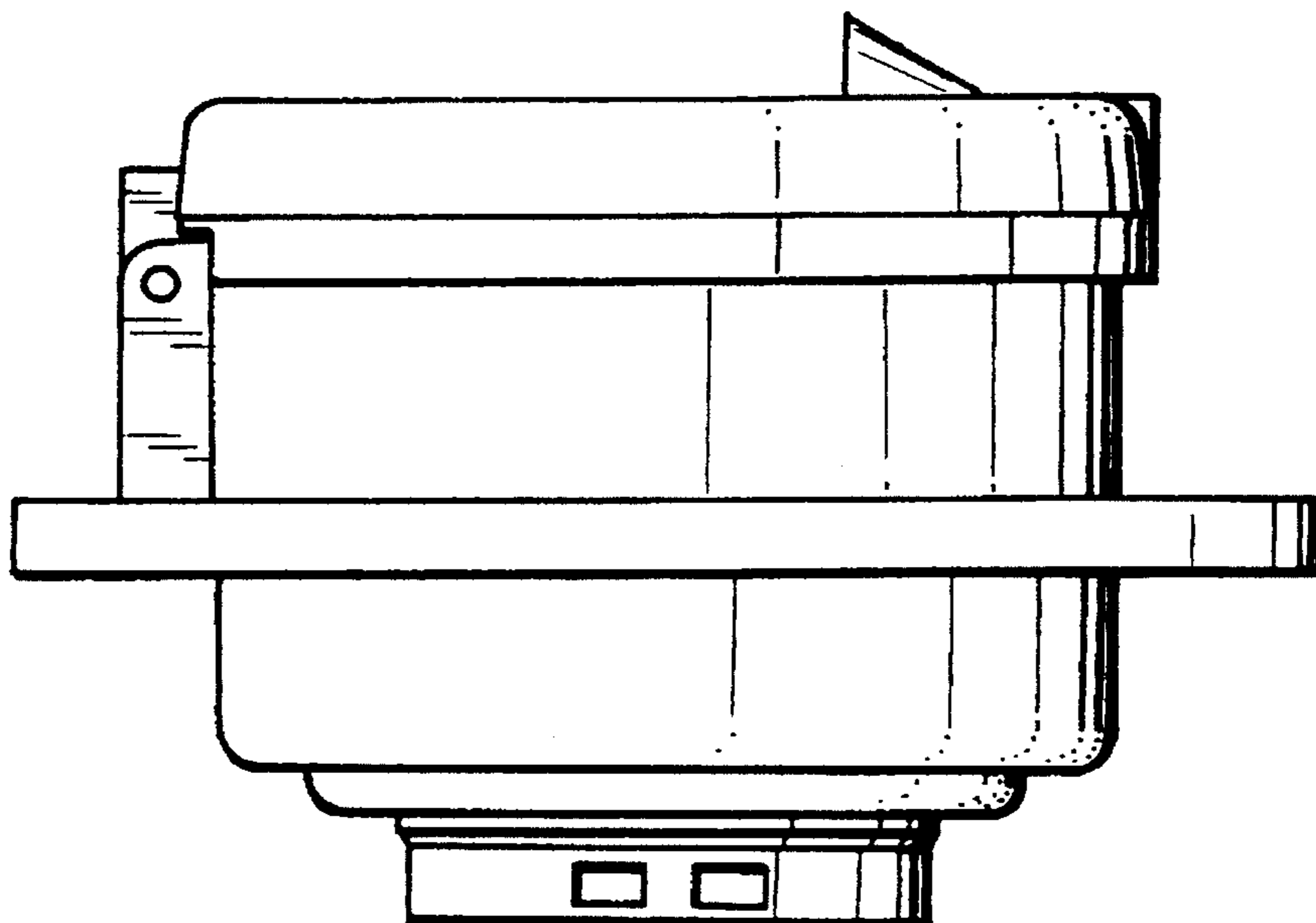
FIG. 4



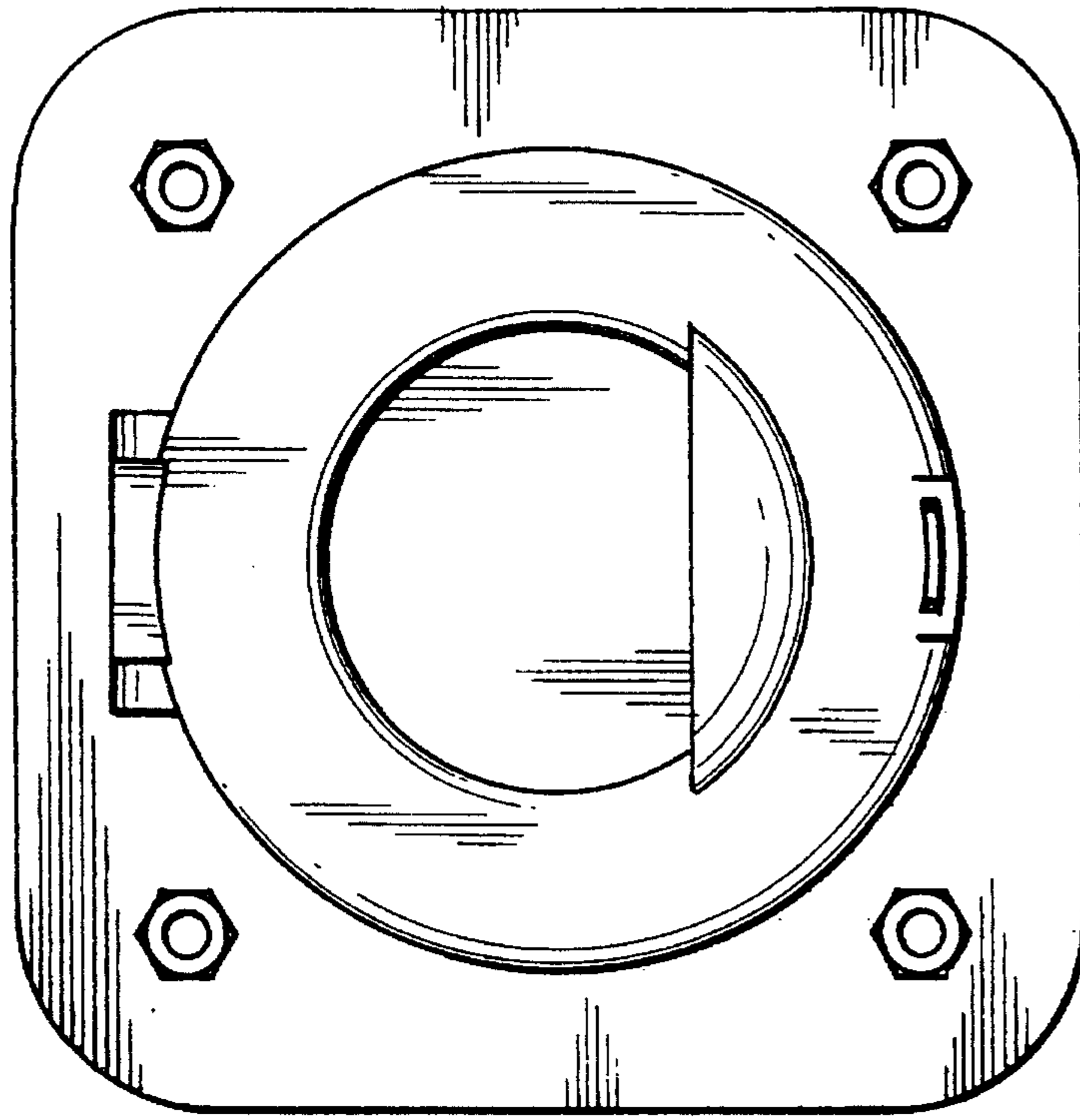
# FIG. 5



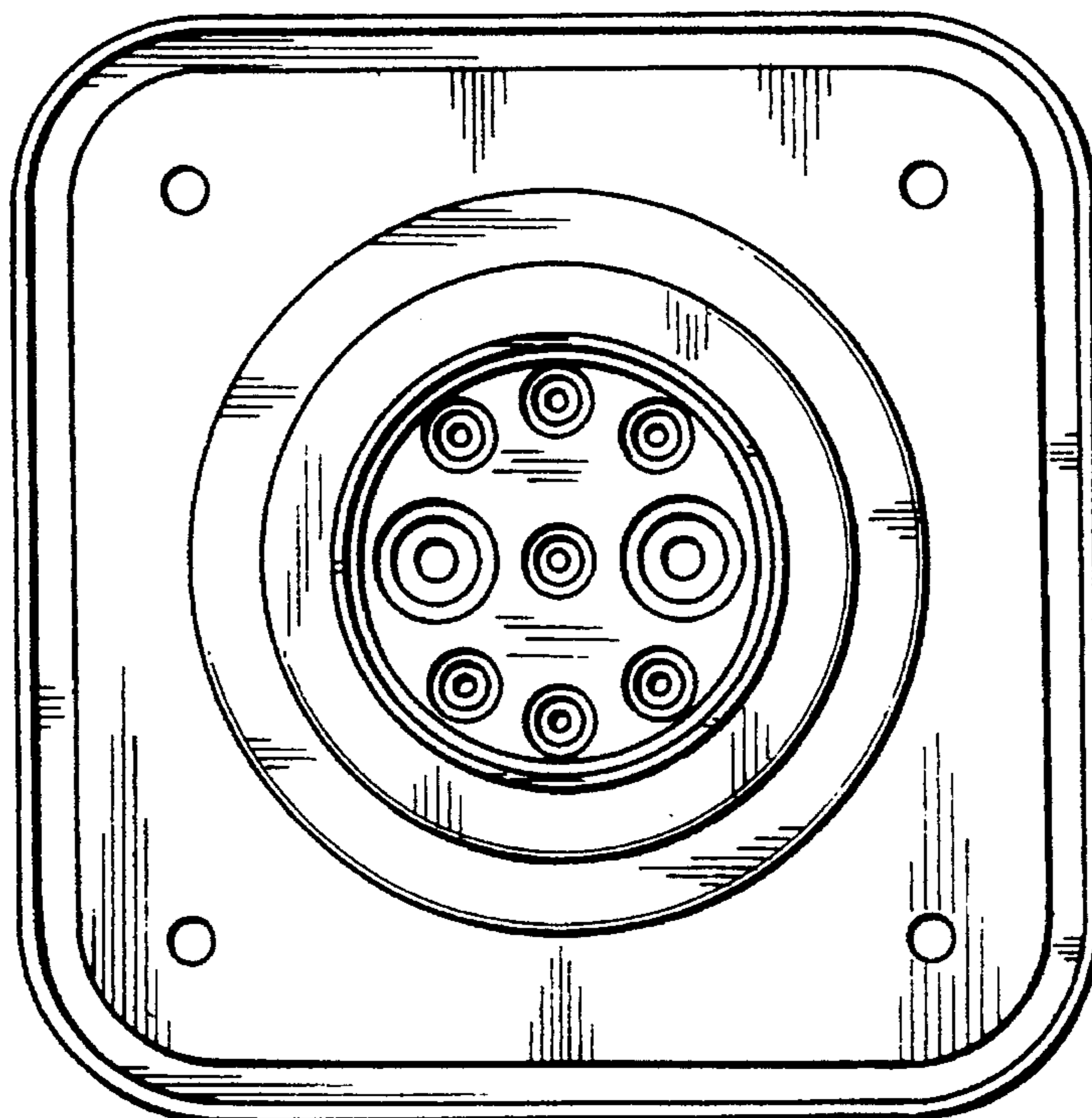
# FIG. 8



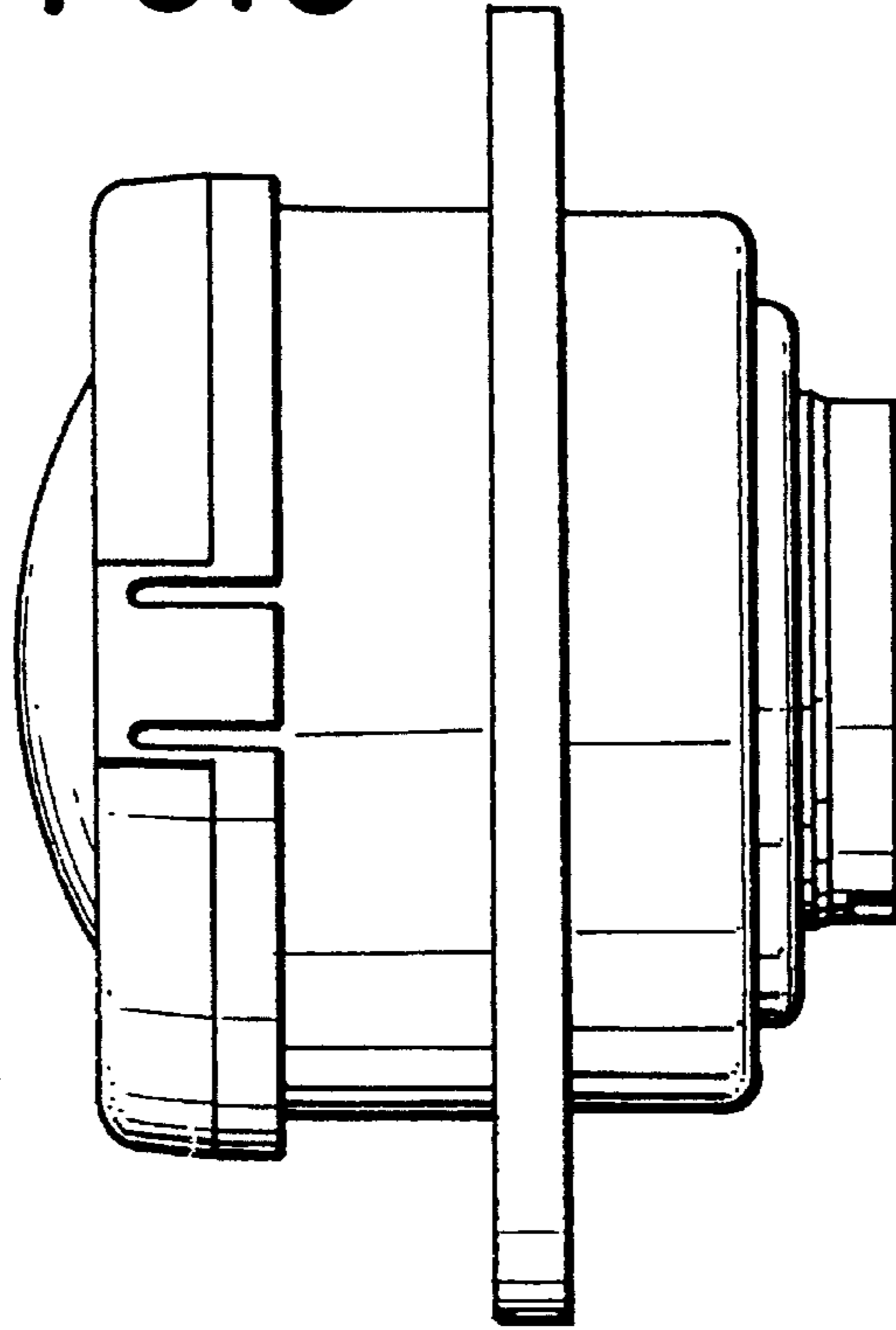
# FIG. 6



# FIG. 7



**FIG. 9**



**FIG. 10**

