



US00D374211S

United States Patent [19]

Trisl

[11] **Patent Number:** **Des. 374,211**

[45] **Date of Patent:** ****Oct. 1, 1996**

[54] **BATTERY HOUSING FOR PORTABLE TELEPHONES**

[75] Inventor: **Klaus Trisl**, Wiesbaden, Germany

[73] Assignee: **Varta Batterie Aktiengesellschaft**, Hanover, Germany

[**] Term: **14 Years**

[21] Appl. No.: **39,862**

[22] Filed: **Jun. 6, 1995**

[30] **Foreign Application Priority Data**

Dec. 21, 1994 [DE] Germany M 94 09 841.7

[52] **U.S. Cl.** **D13/103**

[58] **Field of Search** D13/103; 429/97, 429/98, 99, 121, 159, 163, 176

[56] **References Cited**

U.S. PATENT DOCUMENTS

D. 320,780 10/1991 Nagele D13/103

D. 328,888 8/1992 Zhu D13/103
D. 344,926 3/1994 Alexandres et al. D13/103
5,001,772 3/1991 Holcomb et al. 320/2 X

Primary Examiner—Joel Sincavage
Attorney, Agent, or Firm—Weiser & Associates, P.C.

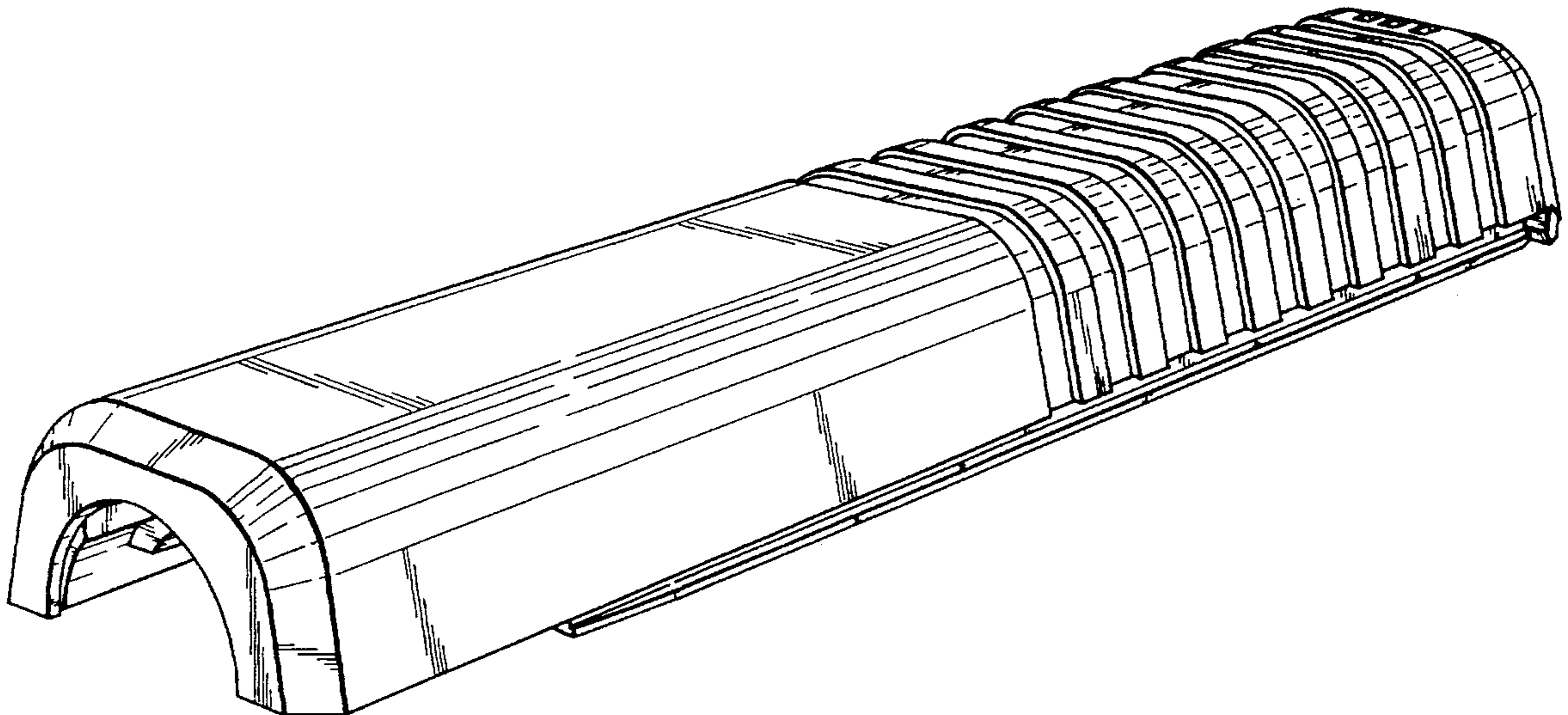
[57] **CLAIM**

The ornamental design for a battery housing for portable telephones, as shown and described.

DESCRIPTION

FIG. 1 is a perspective view of the battery housing for portable telephones of my new design;
FIG. 2 is a top view thereof;
FIG. 3 is a side view thereof;
Fig. 4 is an end view thereof, taken from the near end as viewed in FIG. 1;
FIG. 5 is an end view thereof, taken from the far end as viewed in FIG. 1; and,
FIG. 6 is a bottom view thereof.

1 Claim, 3 Drawing Sheets



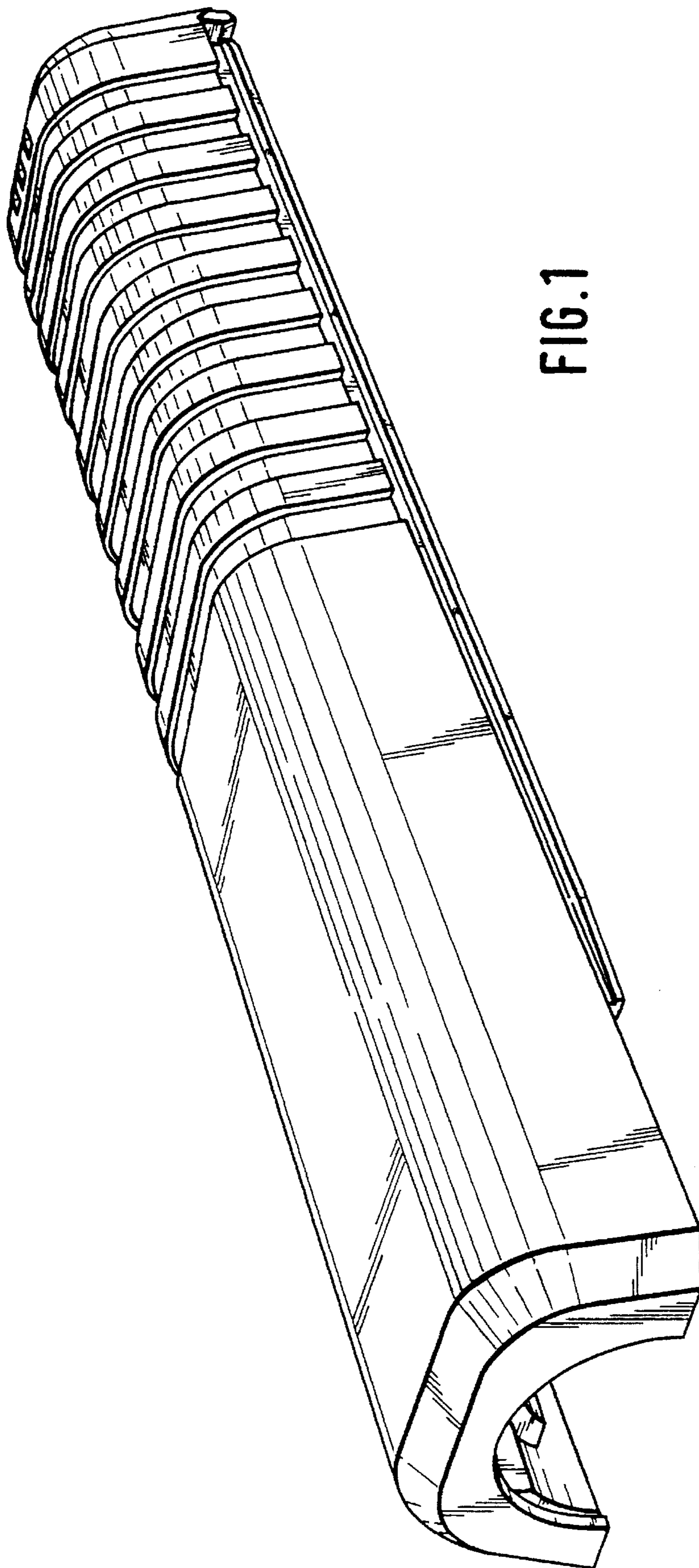


FIG. 1

FIG. 2

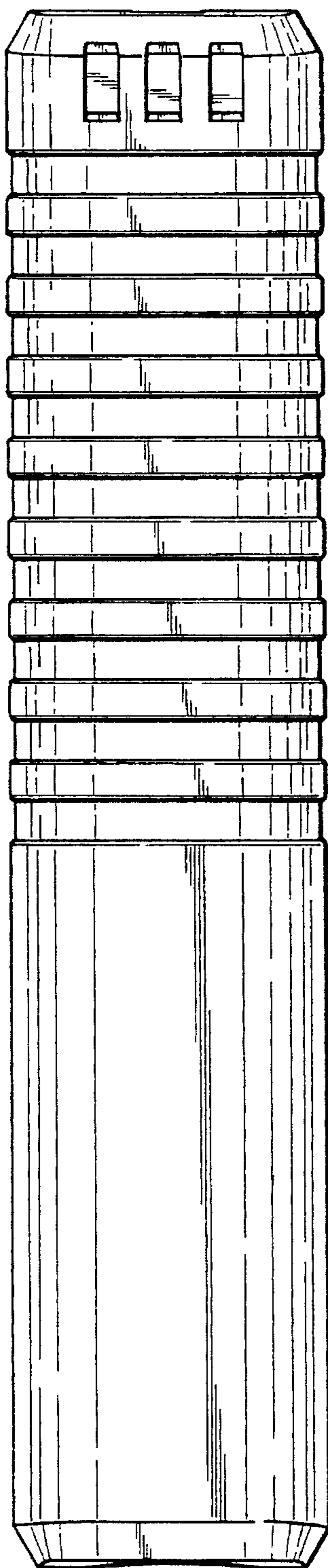


FIG. 3

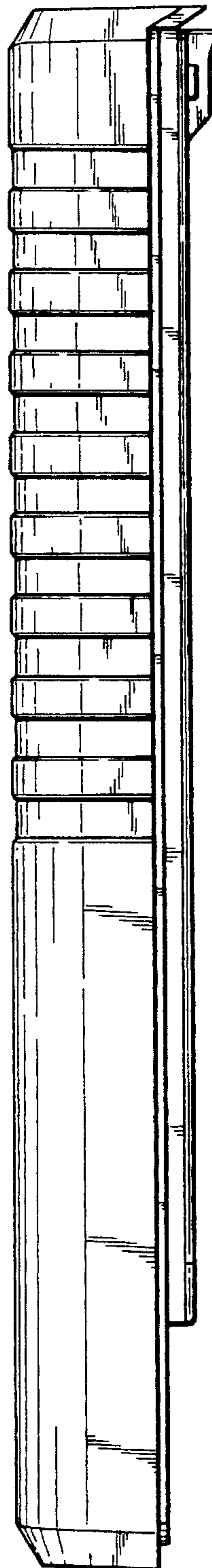


FIG. 4

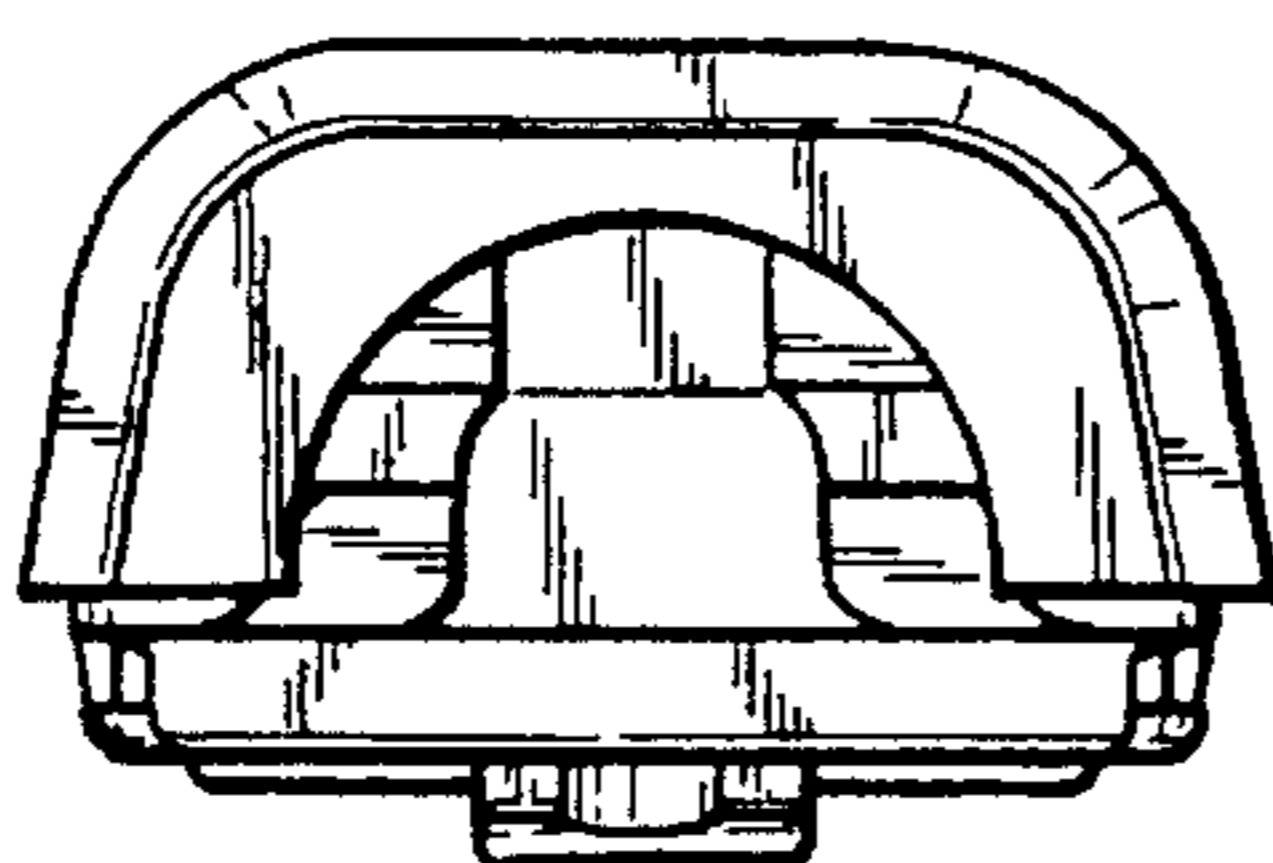


FIG. 5

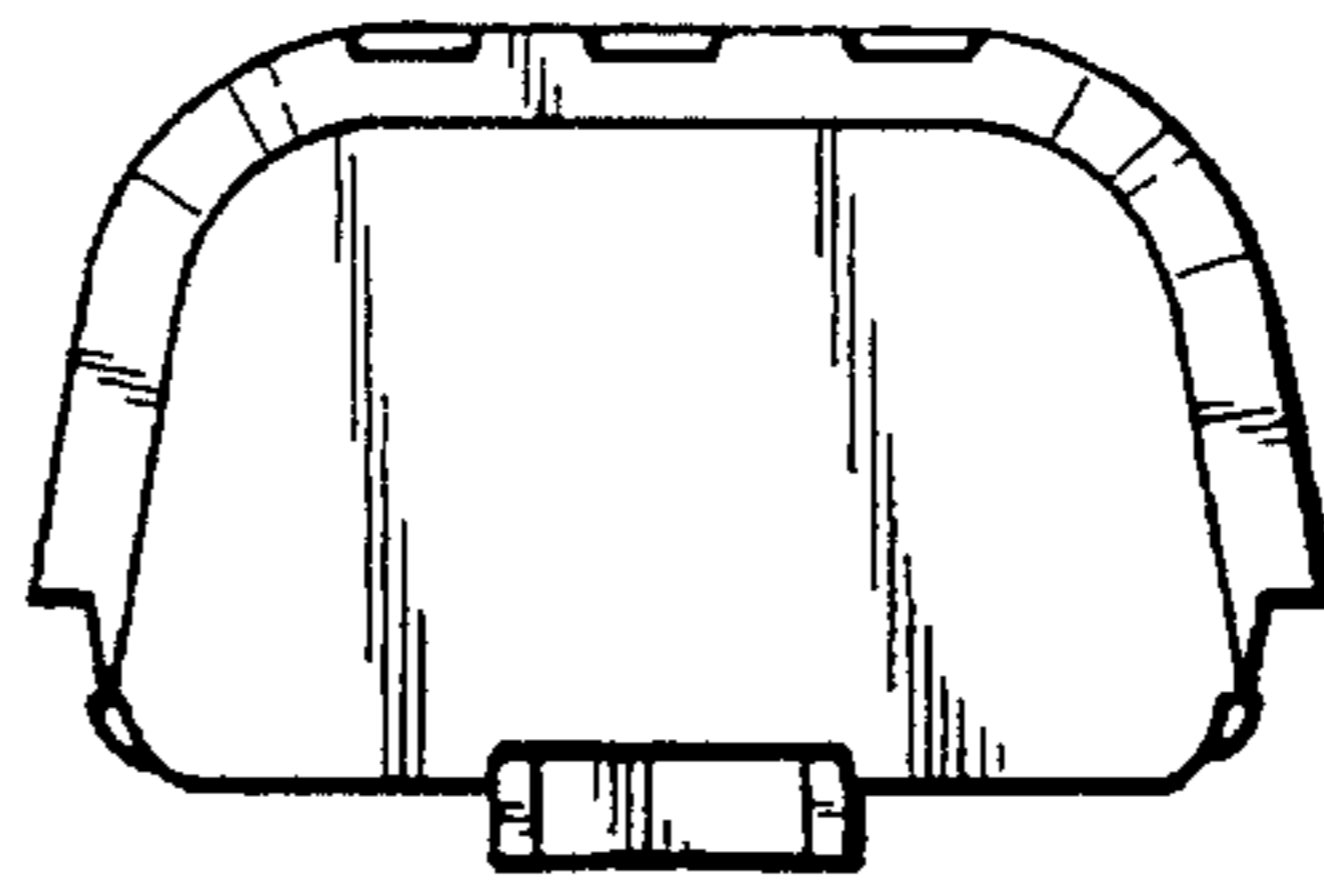


FIG. 6

