



US00D374209S

# United States Patent [19] Lundgren

[11] Patent Number: **Des. 374,209**

[45] Date of Patent: **\*\*Oct. 1, 1996**

[54] **REAR MOUNTED CARRIER**  
[75] Inventor: **Alvar Lundgren**, Göteborg, Sweden  
[73] Assignee: **Industri AB Thule**, Hillerstorp, Sweden  
[\*\*] Term: **14 Years**

D. 300,813 4/1989 Kamaya ..... D12/412  
D. 306,992 4/1990 Morehouse ..... D12/412  
D. 308,846 6/1990 Eckhart ..... D12/408  
D. 337,087 7/1993 Peterman et al. .... D12/408  
D. 350,934 9/1994 Talley ..... D12/406  
4,785,980 11/1988 Redick ..... D12/412

*Primary Examiner*—Melody N. Brown  
*Attorney, Agent, or Firm*—Novak Druce Reynolds Burt

[21] Appl. No.: **21,262**  
[22] Filed: **Apr. 12, 1994**

### [57] CLAIM

### [30] Foreign Application Priority Data

The ornamental design for a rear mounted carrier, as shown and described.

Oct. 14, 1993 [SE] Sweden ..... 93-2282  
[52] U.S. Cl. .... **D12/412**  
[58] Field of Search ..... D12/412, 413,  
D12/406; 224/323, 314, 315, 309, 310,  
273, 42.03 A, 42.45 R, 42.46 R, 42.42,  
42.07, 917

### DESCRIPTION

FIG. 1 is a front view of the rear mounted carrier showing my new design;  
FIG. 2 is a back view thereof;  
FIG. 3 is a left side view thereof;  
FIG. 4 is a top view thereof;  
FIG. 5 is a bottom view thereof; and,  
FIG. 6 is a perspective view thereof.

### [56] References Cited U.S. PATENT DOCUMENTS

D. 259,715 6/1981 Melilli ..... D12/406  
D. 265,814 8/1982 Brorsson ..... D12/413

**1 Claim, 3 Drawing Sheets**

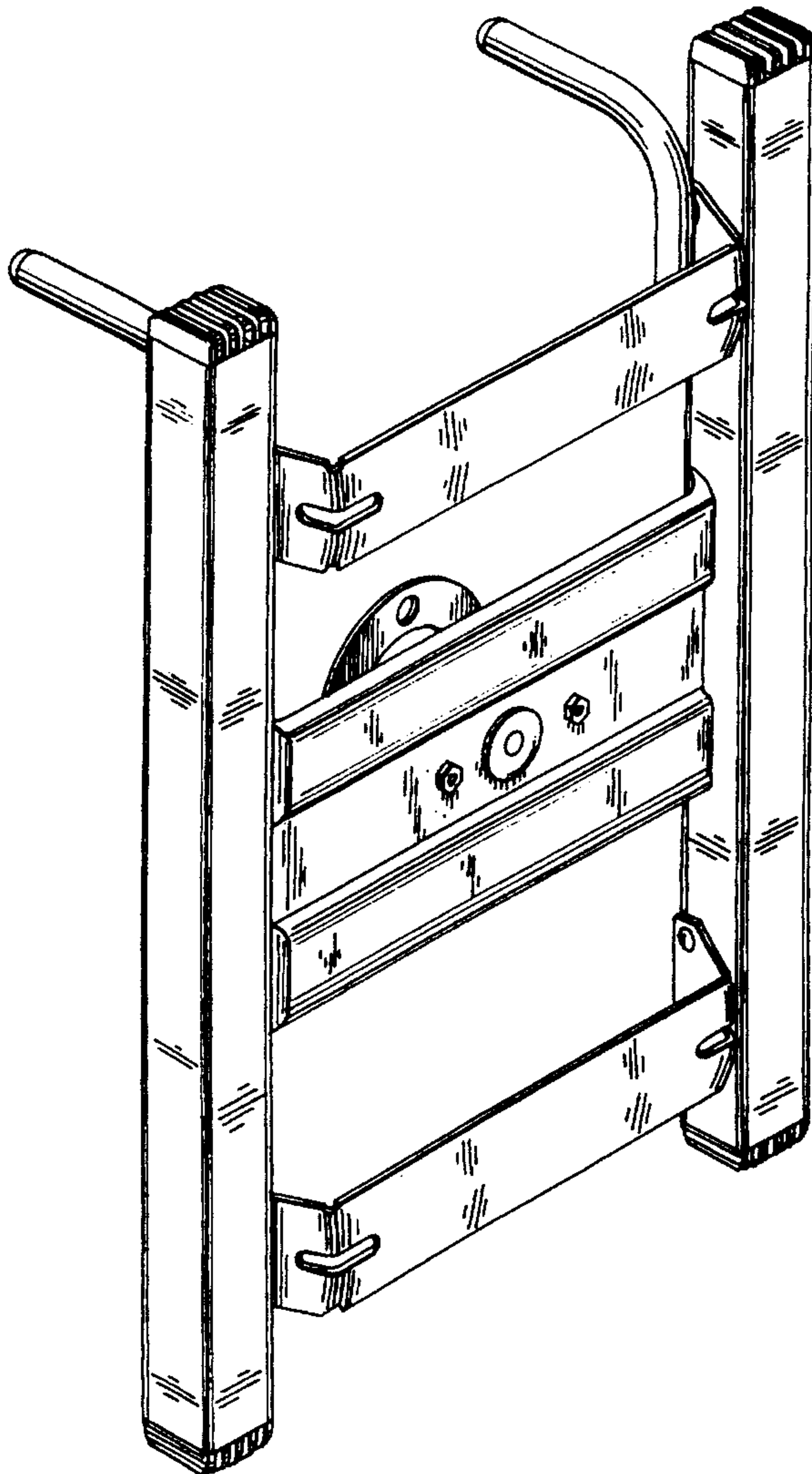


FIG. 2

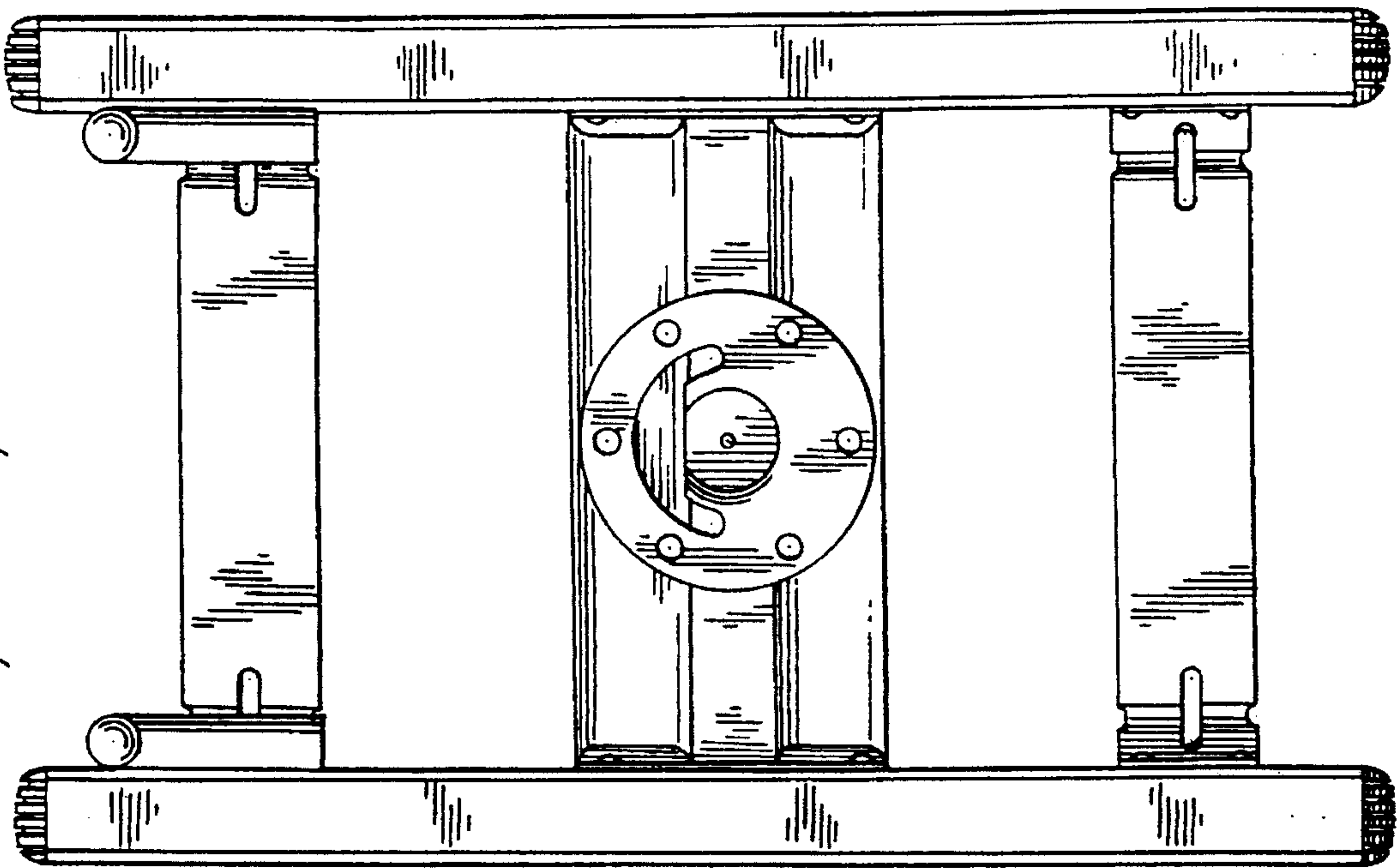
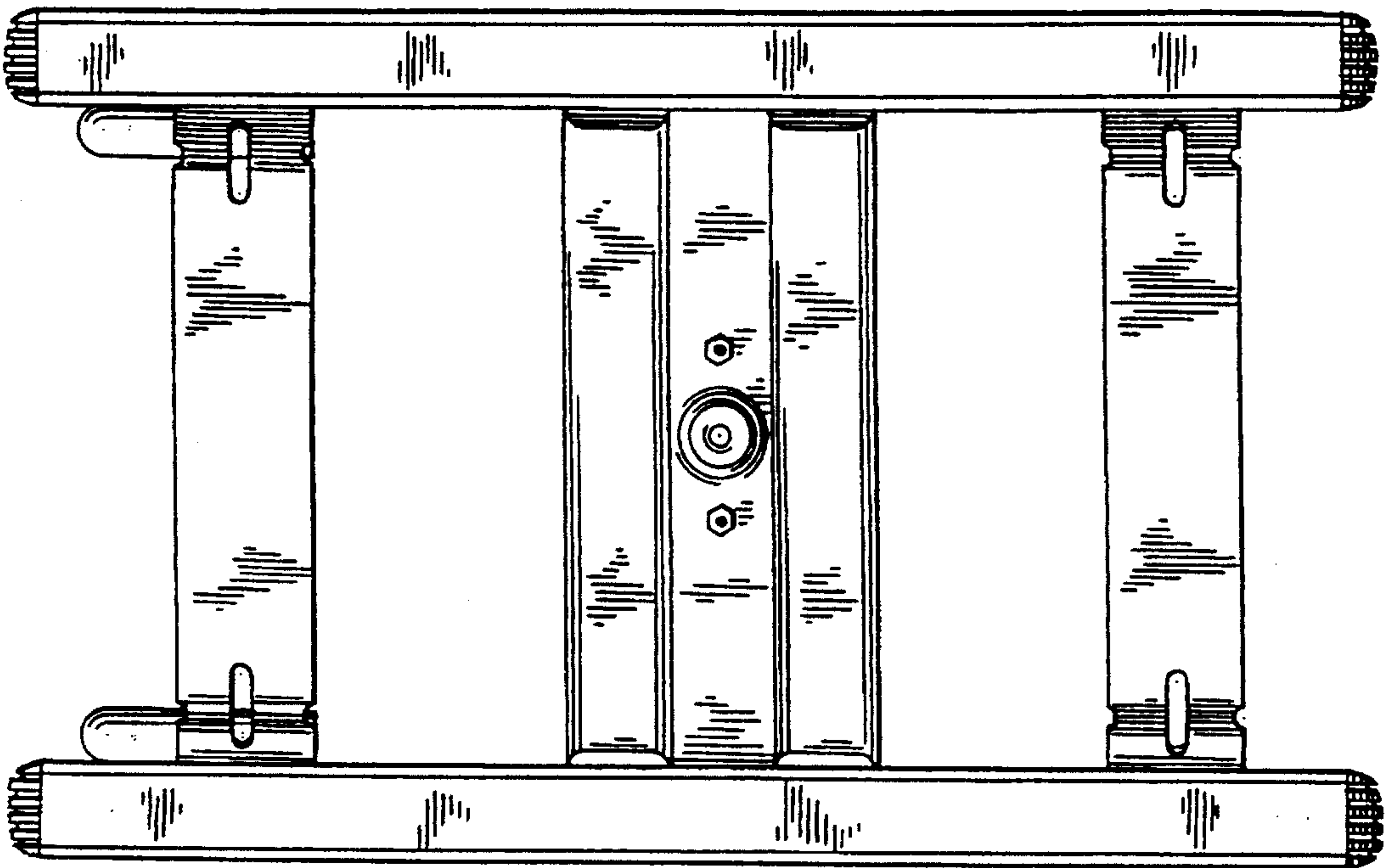


FIG. 1



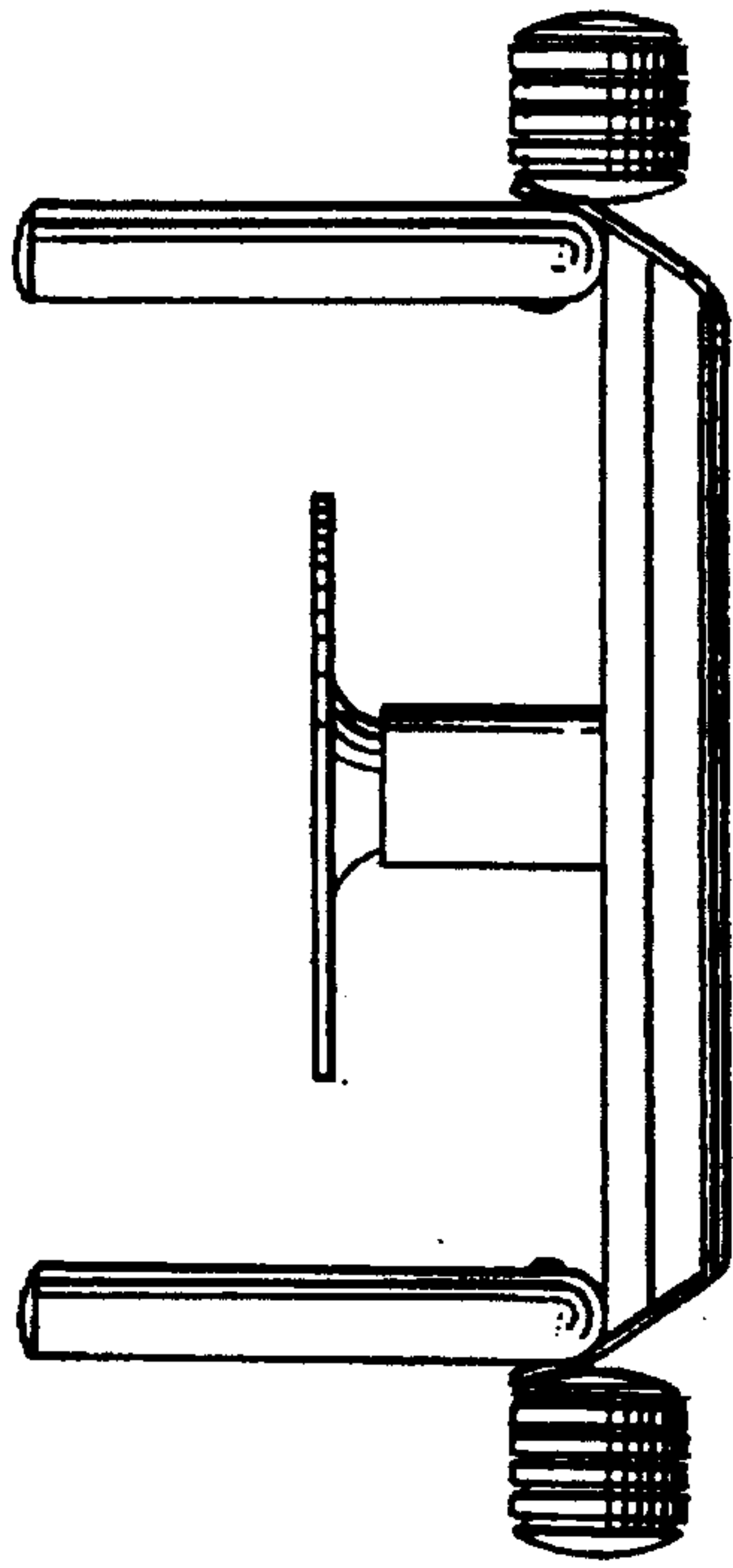


FIG. 4

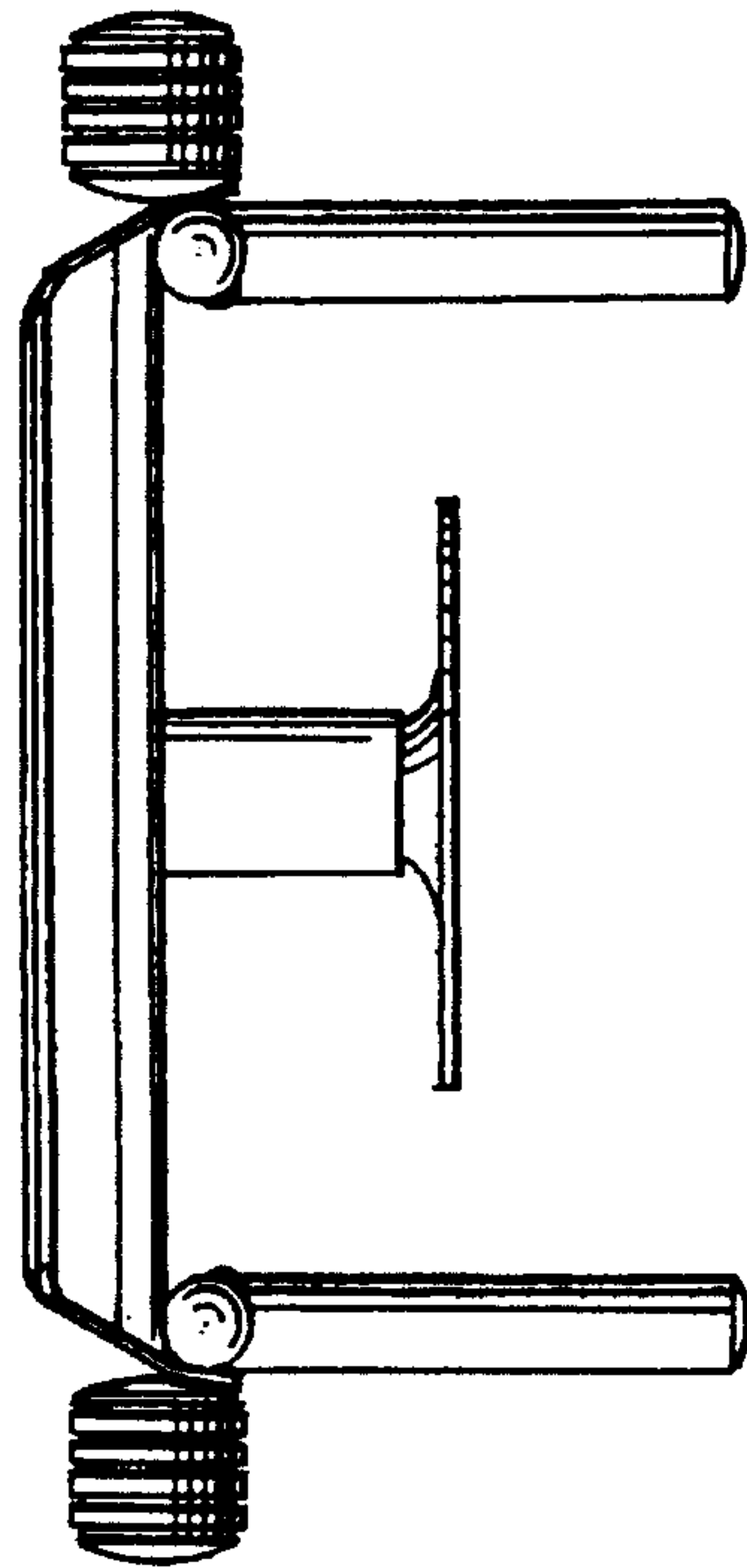


FIG. 5

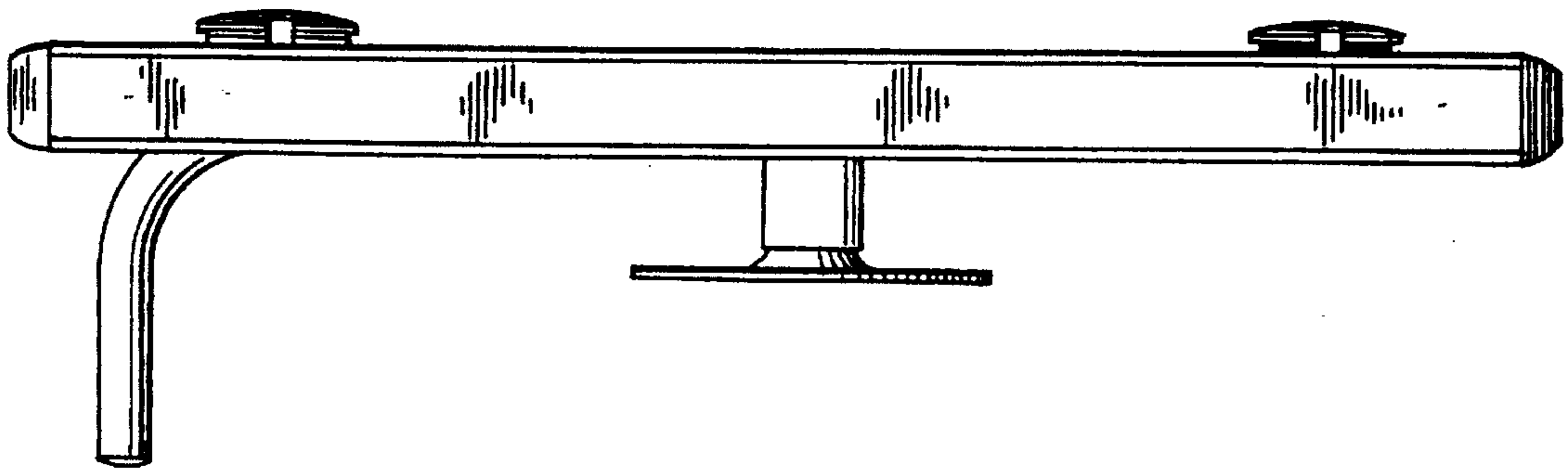


FIG. 3

FIG. 6

