



US00D374208S

United States Patent [19]

Eva, Jr.

[11] Patent Number: **Des. 374,208**

[45] Date of Patent: ****Oct. 1, 1996**

[54] **VEHICLE MOUNTED GAME SUPPORT**

[76] Inventor: **Jack E. Eva, Jr.**, 666 N. 6th St.,
Laramie, Wyo. 82070

[**] Term: **14 Years**

[21] Appl. No.: **19,178**

[22] Filed: **Feb. 24, 1994**

[52] U.S. Cl. **D12/408**; D22/199

[58] Field of Search D22/199; D34/28,
D34/33; D12/408, 406; 294/81.21, 81.56;
254/124; 224/400, 403, 488, 489, 494,
512, 516, 519, 525

[56] **References Cited**

U.S. PATENT DOCUMENTS

D. 325,553	4/1992	Weiner et al.	D12/408
D. 341,242	11/1993	Thorby	D34/28 X
D. 349,996	8/1994	Litwiller	D34/33
3,521,860	7/1970	Zehring, Jr.	254/124
4,580,317	4/1986	Timothy	294/79 X

4,644,595	2/1987	Daniel	D34/28 X
4,860,404	8/1989	Flachs .	
4,909,555	3/1990	Blasi	294/79
5,203,540	4/1993	Lee	254/124 X

Primary Examiner—Doris V. Coles
Attorney, Agent, or Firm—Terry M. Gernstein

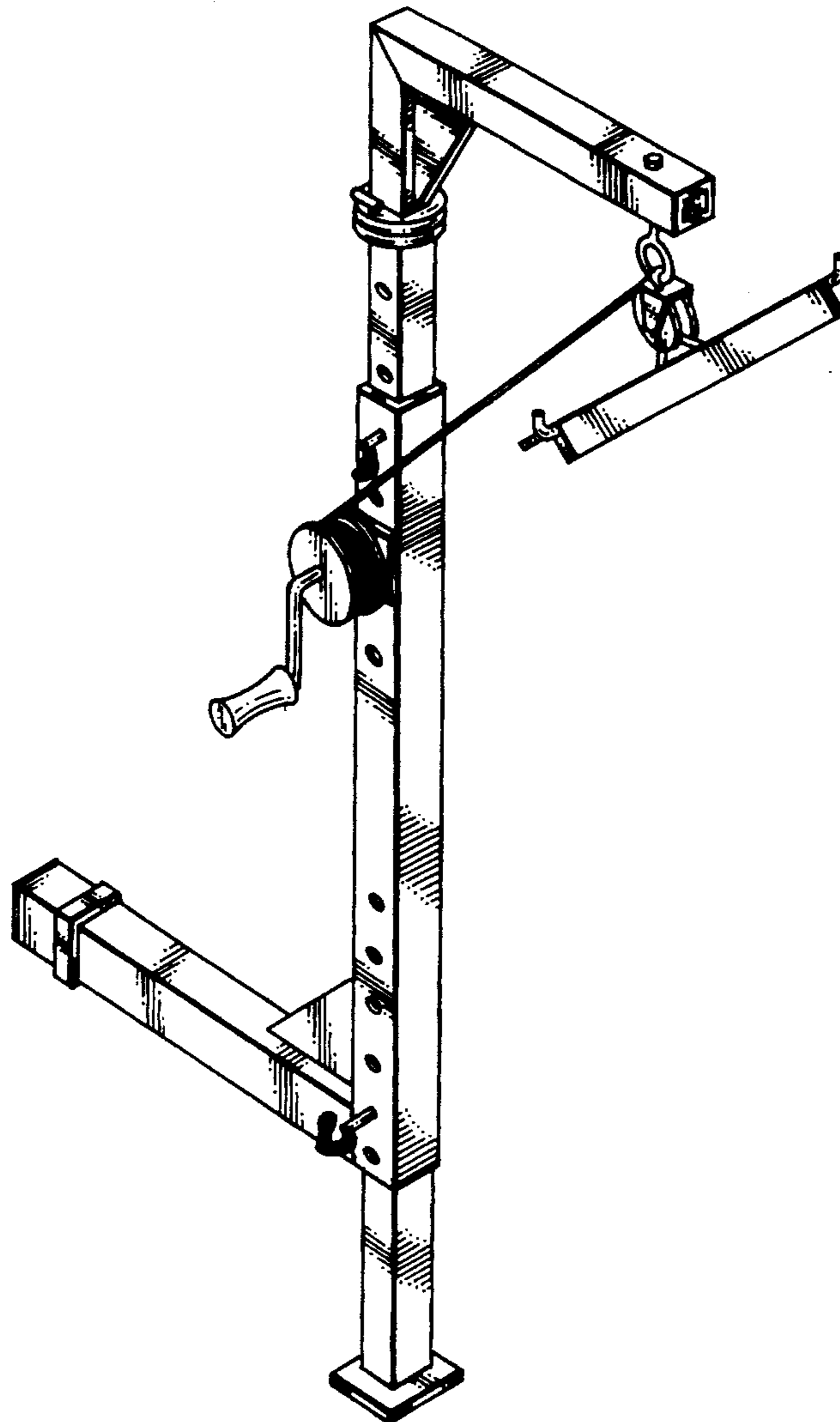
[57] **CLAIM**

The ornamental design for a vehicle mounted game support, as shown and described.

DESCRIPTION

FIG. 1 is a front, top and side perspective view of the vehicle mounted game support showing our new design; FIG. 2 is a front elevational view thereof; FIG. 3 is a rear elevational view thereof; FIG. 4 is a side elevational view thereof; FIG. 5 is a side elevational view thereof; FIG. 6 is a top plan view thereof; and, FIG. 7 is a bottom plan view thereof.

1 Claim, 4 Drawing Sheets



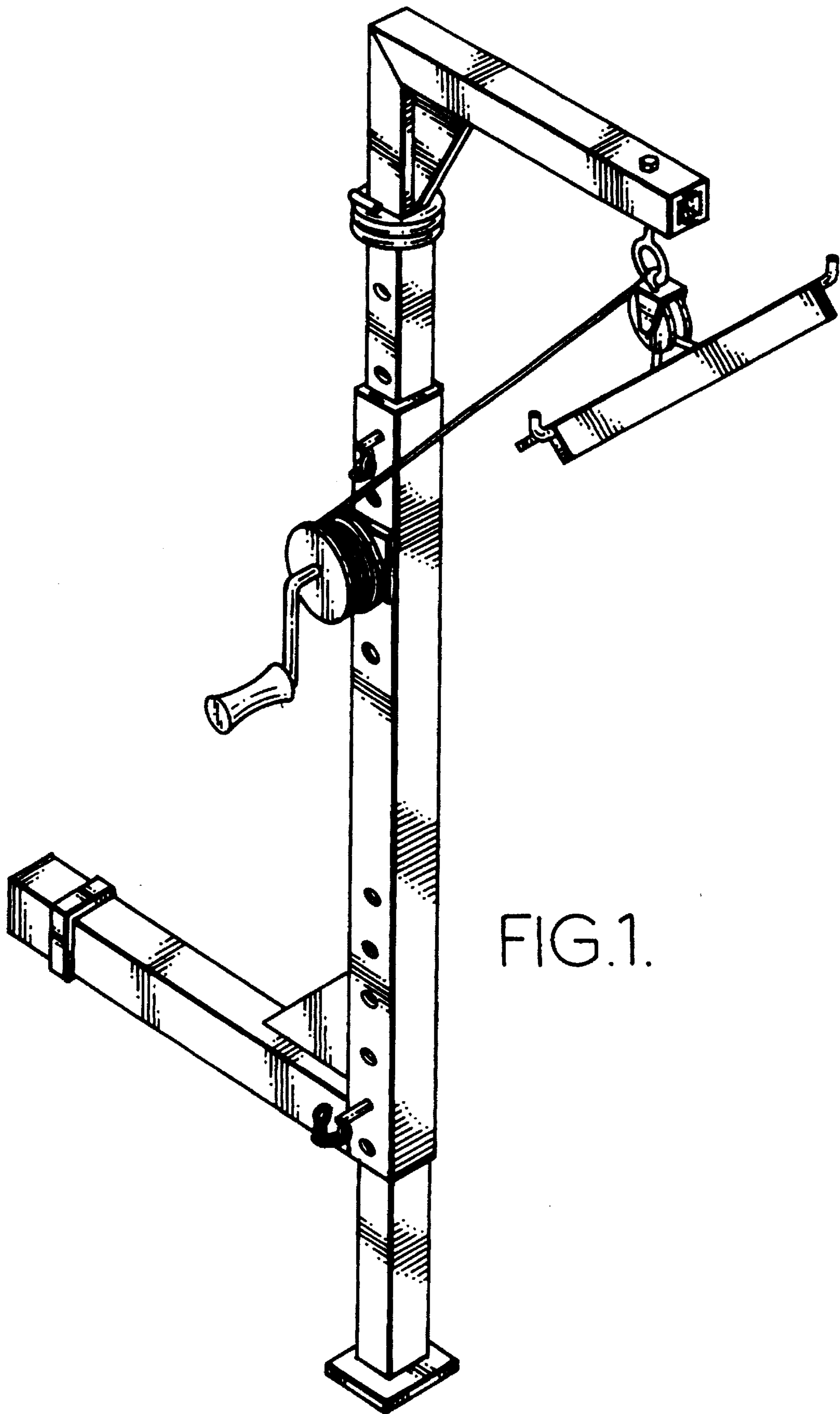


FIG. 1.

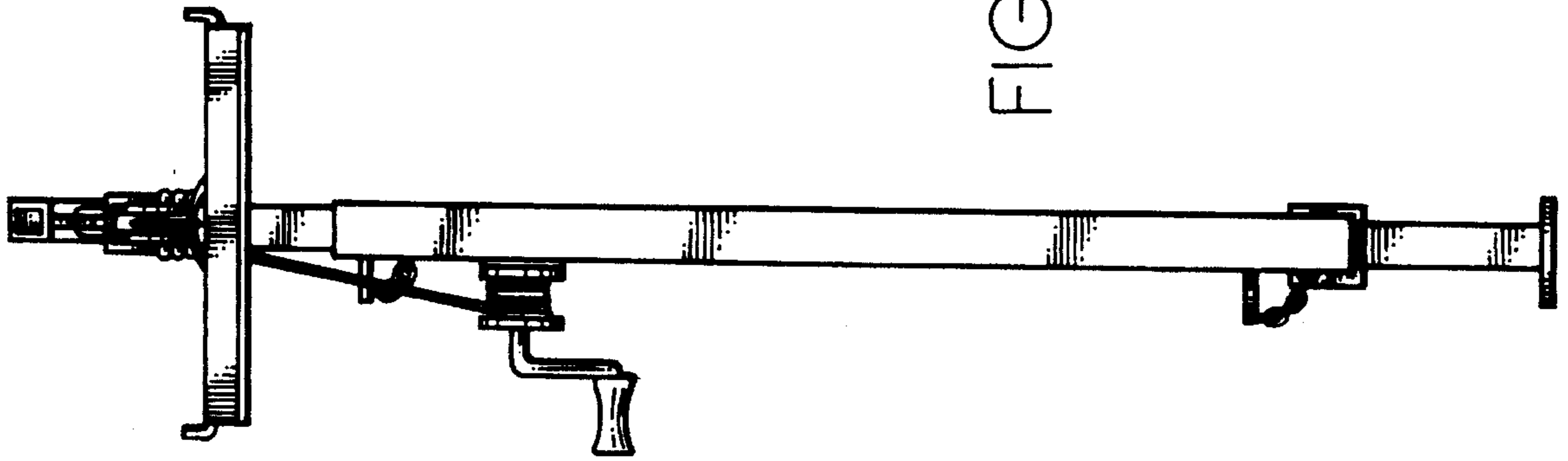


FIG. 2.

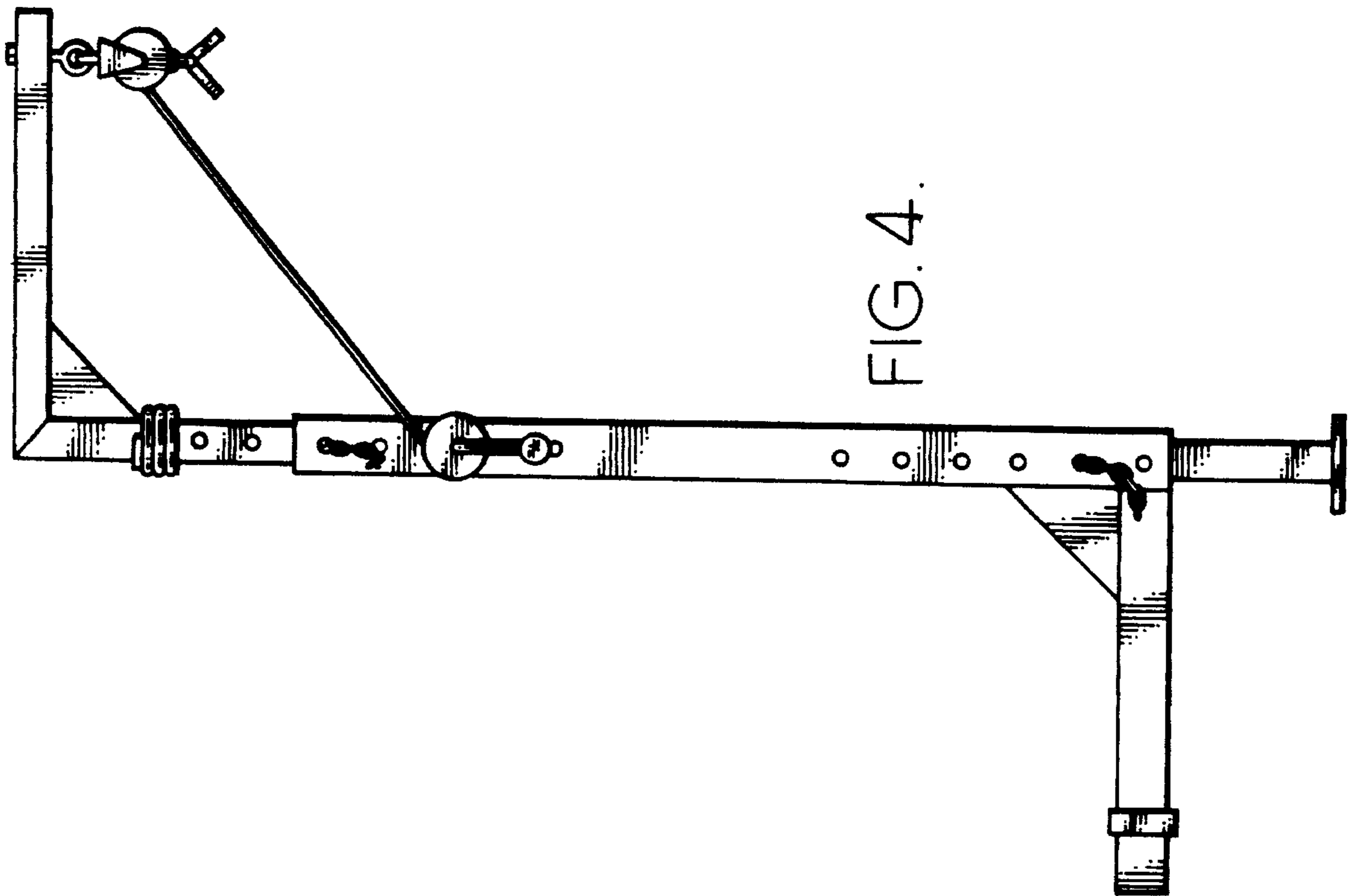
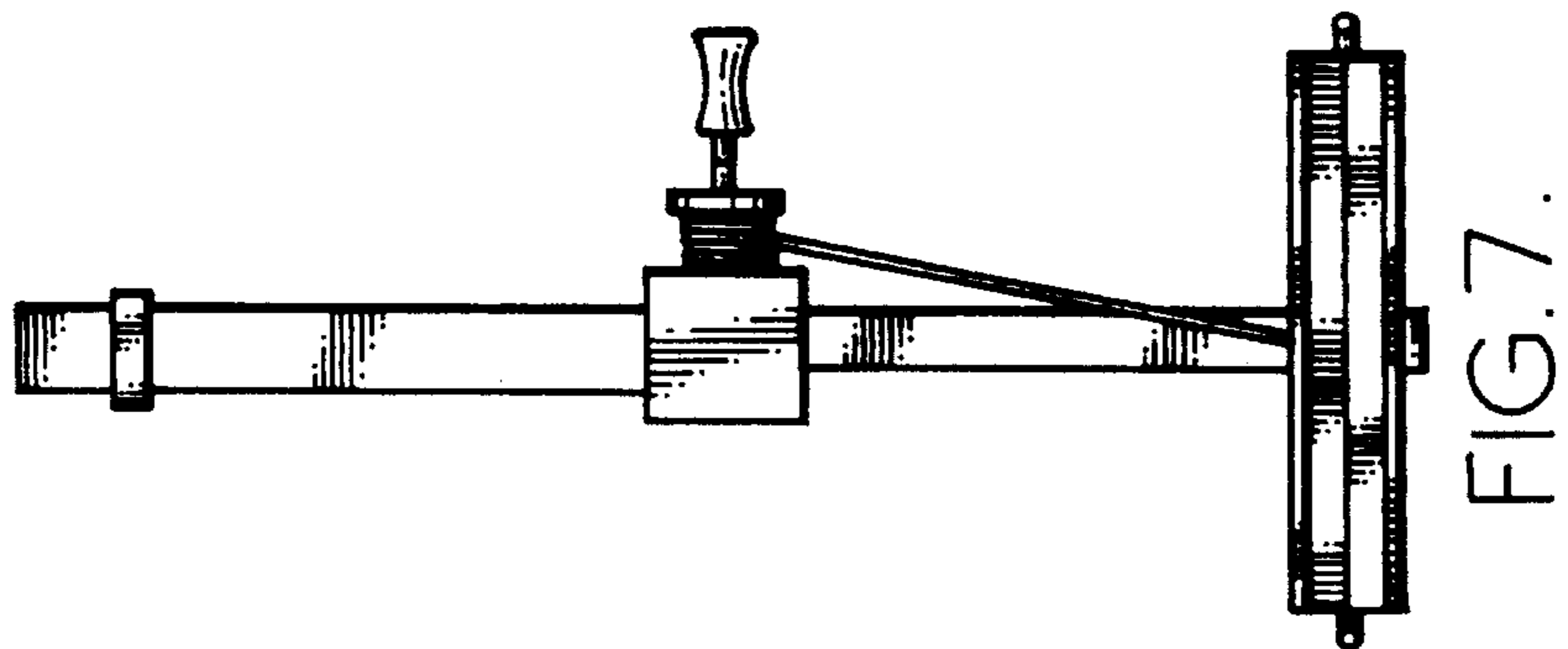
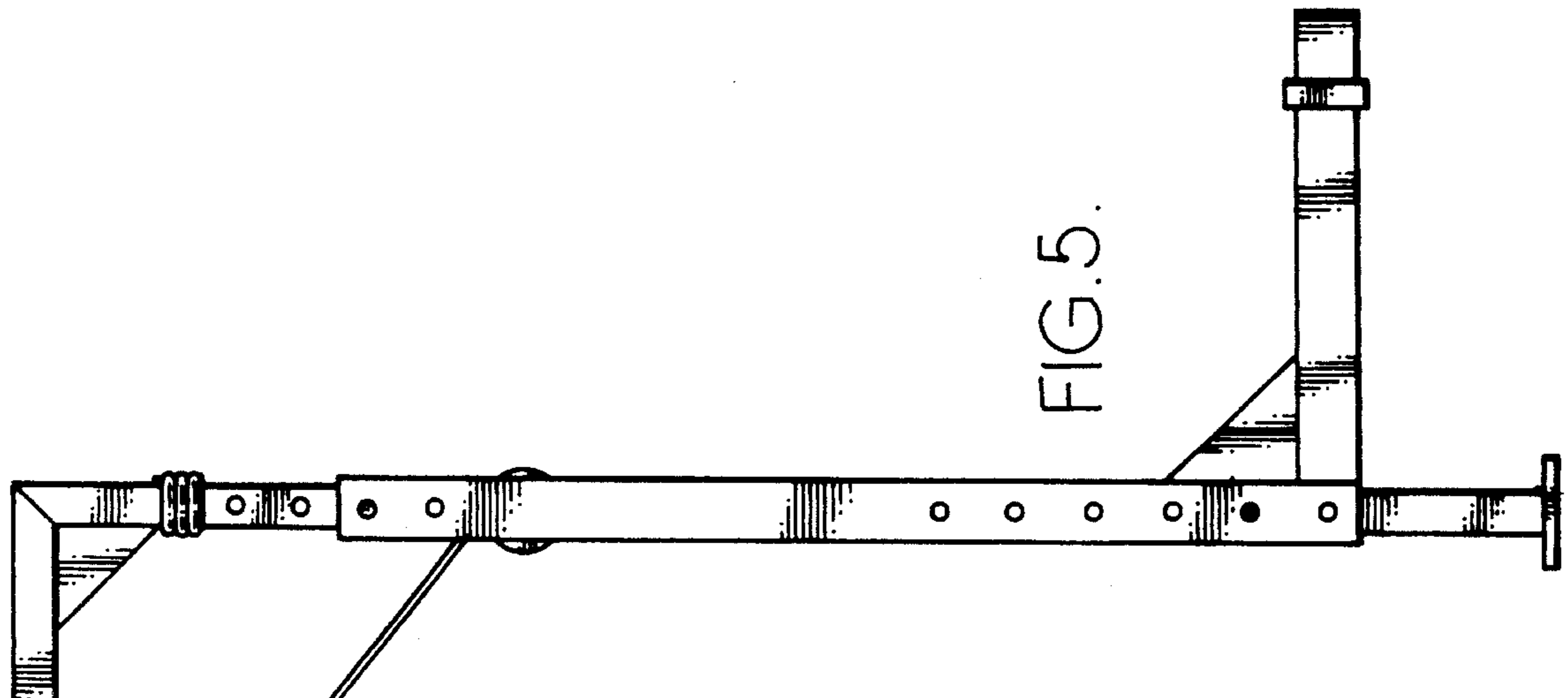
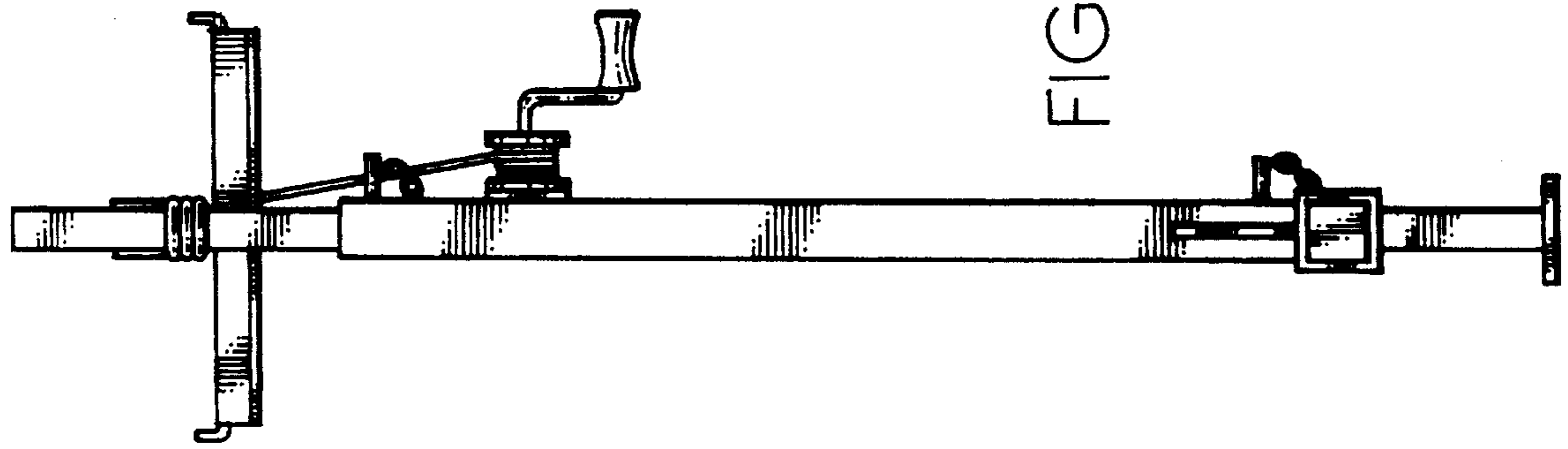


FIG. 4.



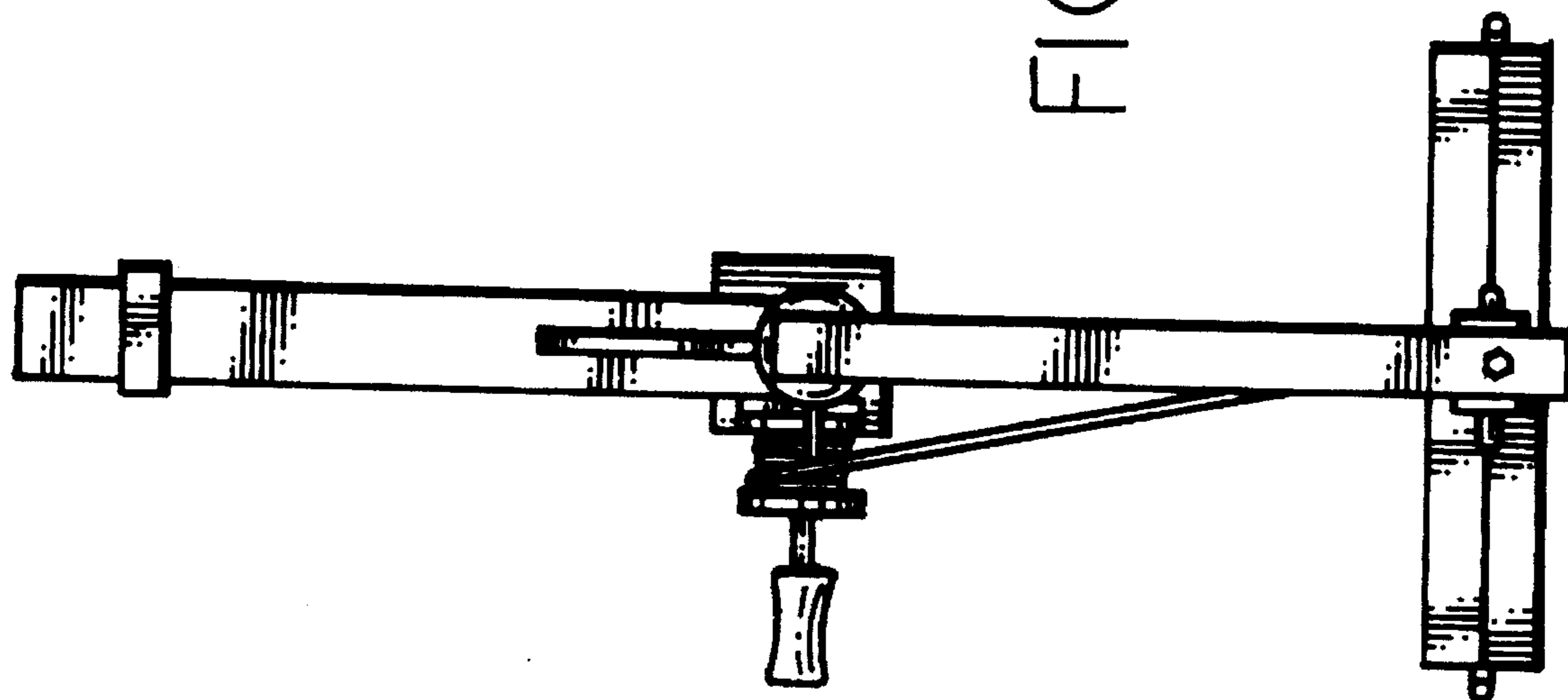


FIG. 6.