



US00D374196S

United States Patent [19]
Mayer

[11] **Patent Number: Des. 374,196**

[45] **Date of Patent: **Oct. 1, 1996**

[54] **MULTI-PERSON LIFT CHAIR**

[75] Inventor: **Helmut Mayer**, Lochau, Austria

[73] Assignee: **Konrad Doppelmayr & Sohn
Maschinenfabrik Gesellschaft m.b.H.
& Co. KG**, Wolfurt, Austria

[**] Term: **14 Years**

[21] Appl. No.: **37,365**

[22] Filed: **Apr. 11, 1995**

[52] U.S. Cl. **D12/52; D6/360**

[58] Field of Search **D6/334, 361, 374,
D6/375; D12/52; 105/149.1, 149.2**

[56] **References Cited**

U.S. PATENT DOCUMENTS

- D. 307,021 4/1990 Bergius et al. D12/52
- D. 340,425 10/1993 Belliere et al. D12/52

Primary Examiner—Gary D. Watson
Attorney, Agent, or Firm—Herbert L. Lerner; Laurence A. Greenberg; Werner H. Stemer

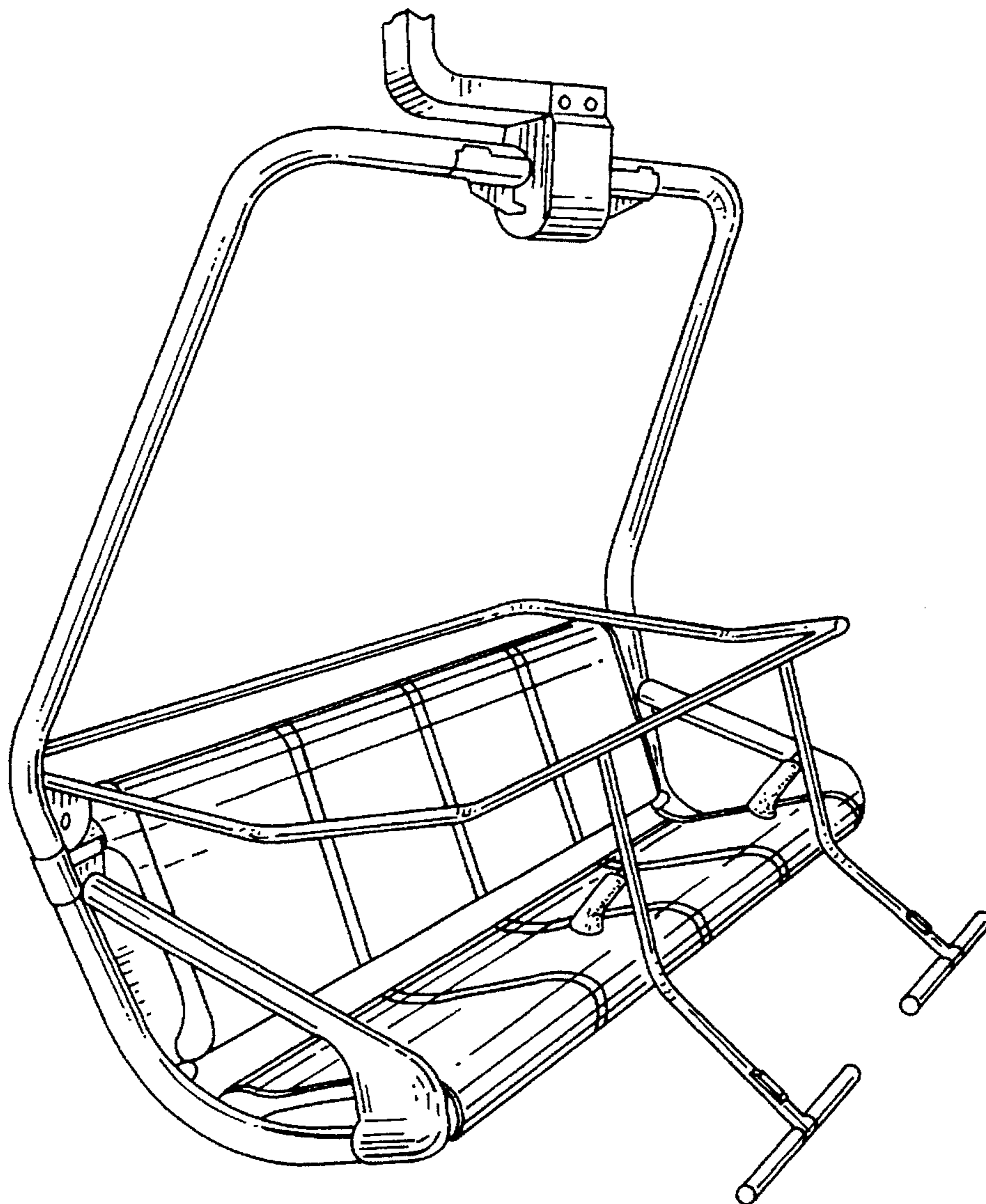
[57] **CLAIM**

The ornamental design for a multi-person lift chair, as shown and described.

DESCRIPTION

FIG. 1 is a front perspective view of my novel design, with a safety bar in an open position;
 FIG. 2 is a similar view with the safety bar in a closed position;
 FIG. 3 is a front-elevational view thereof;
 FIG. 4 is a left side-elevational view thereof;
 FIG. 5 is a rear-elevational view thereof;
 FIG. 6 is a right side-elevational view thereof;
 FIG. 7 is a top-plan view thereof; and,
 FIG. 8 is a bottom-plan view thereof.

1 Claim, 4 Drawing Sheets



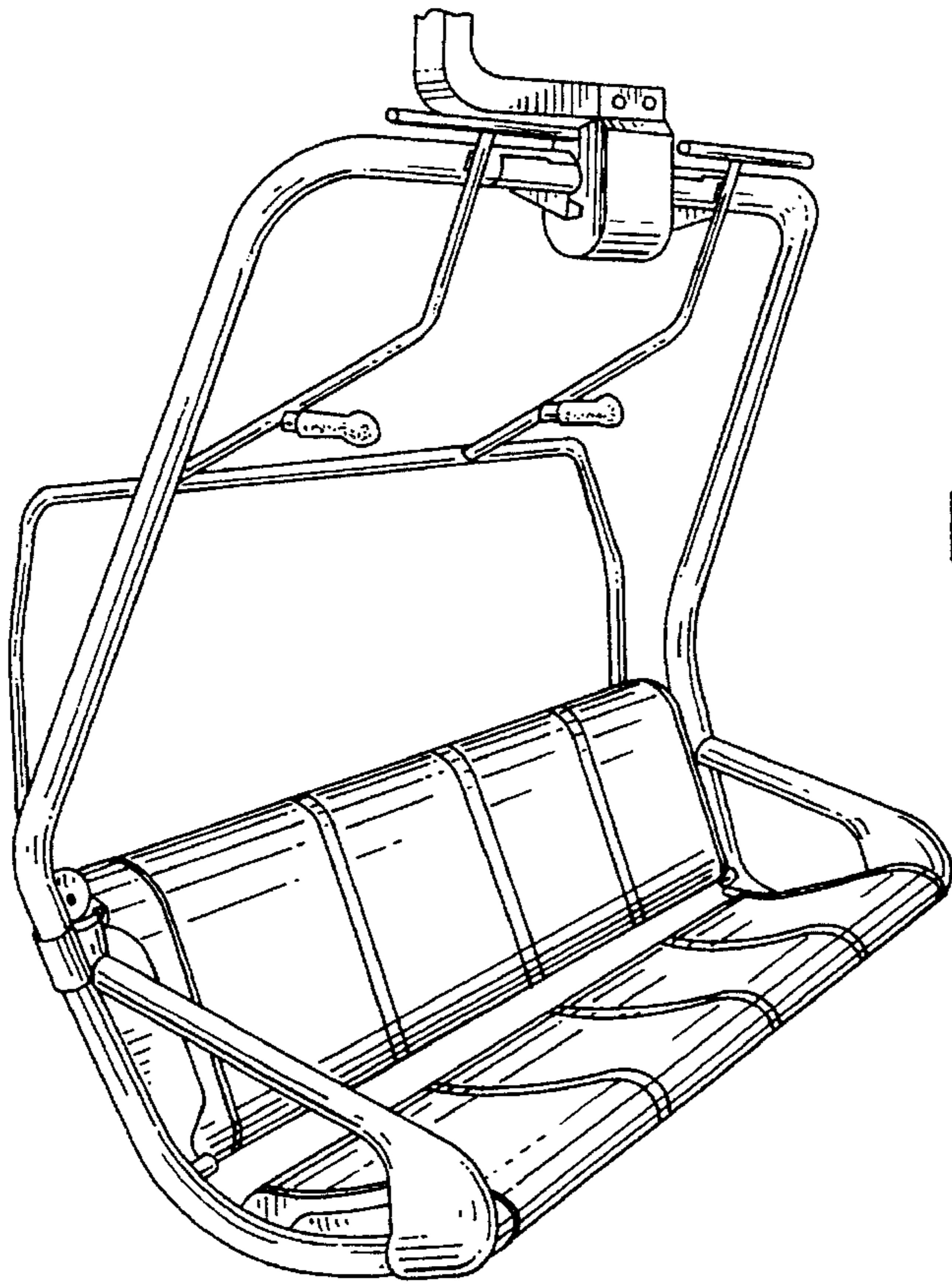


Fig. 1

Fig. 2

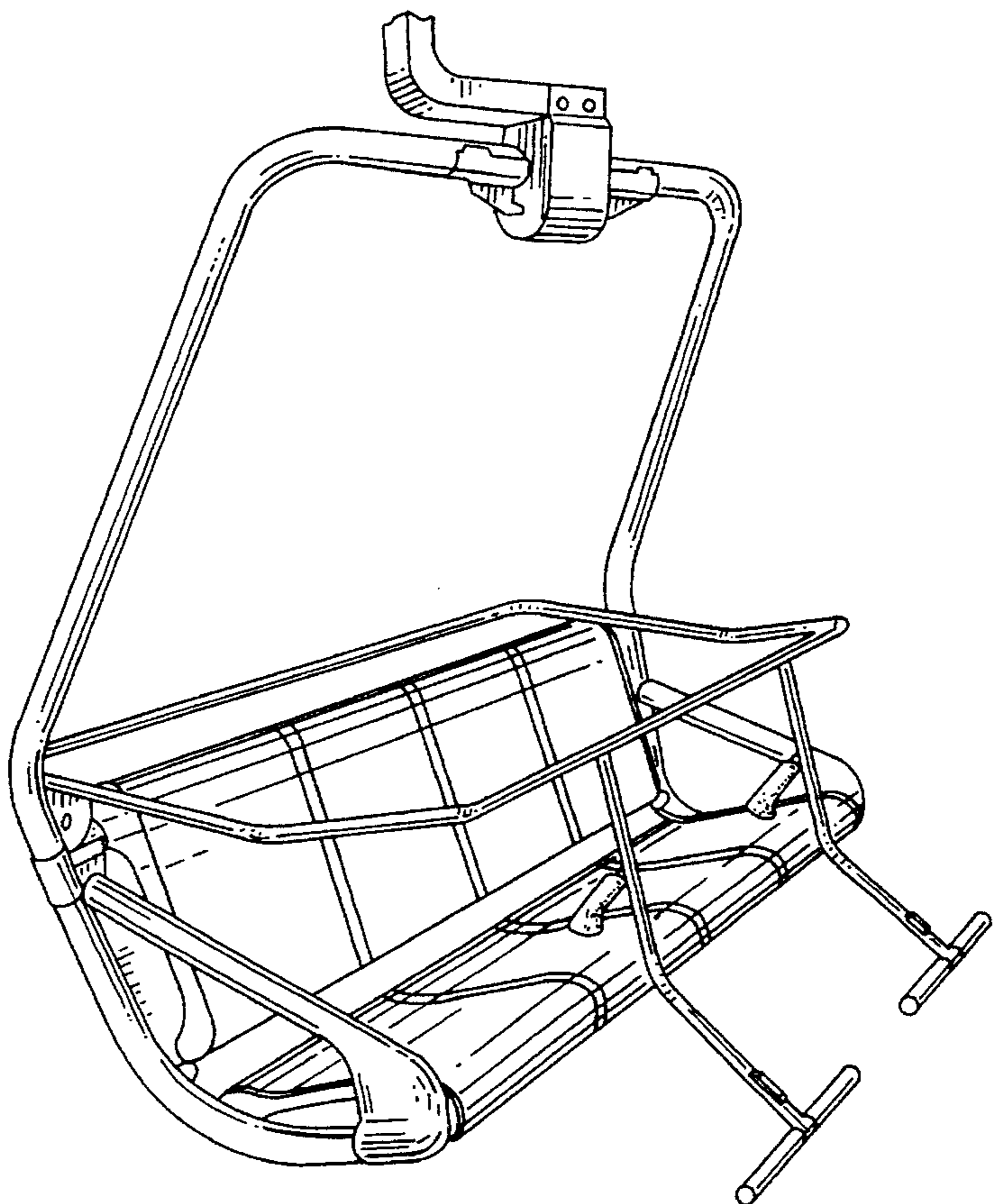


Fig.3

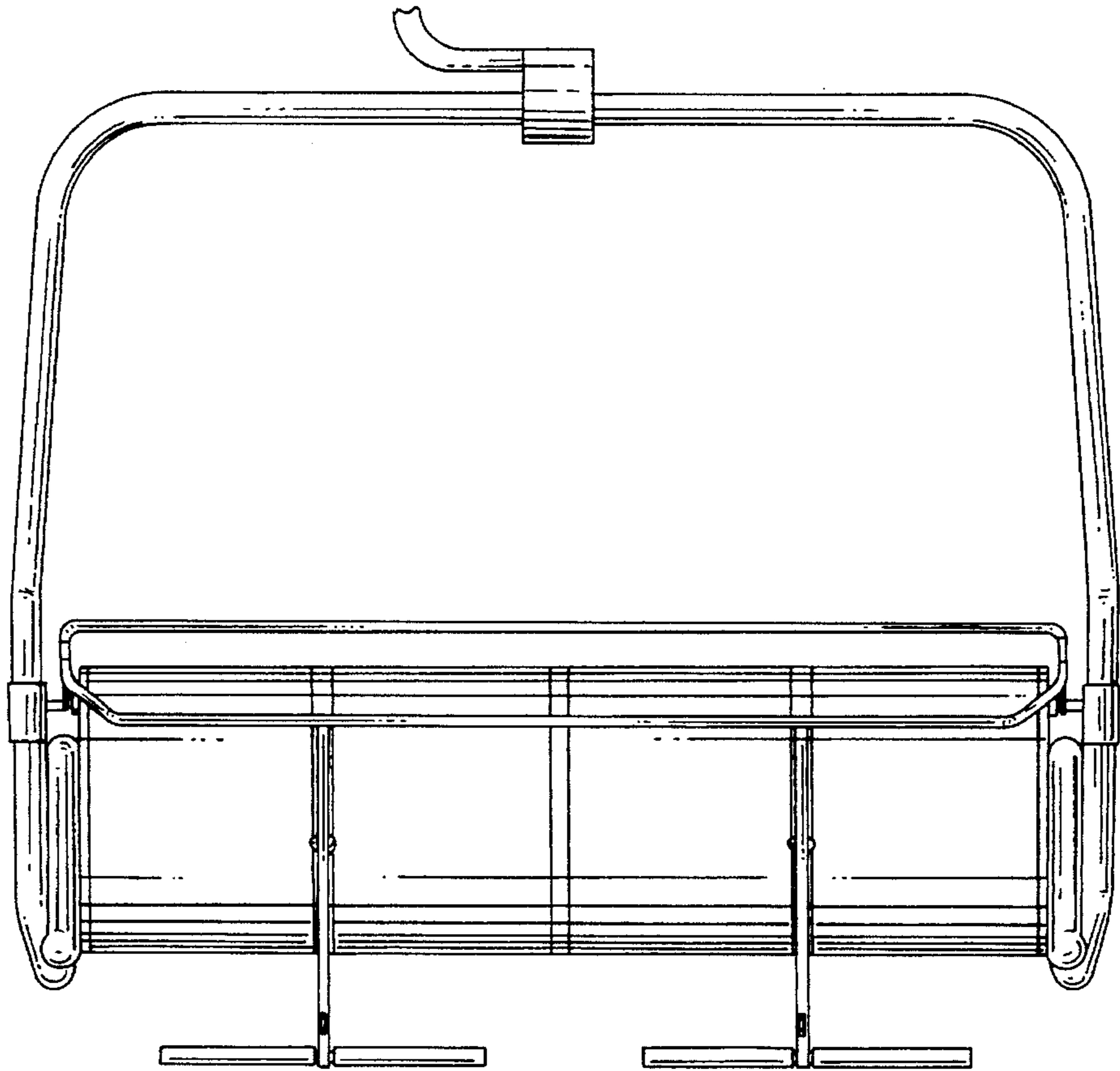
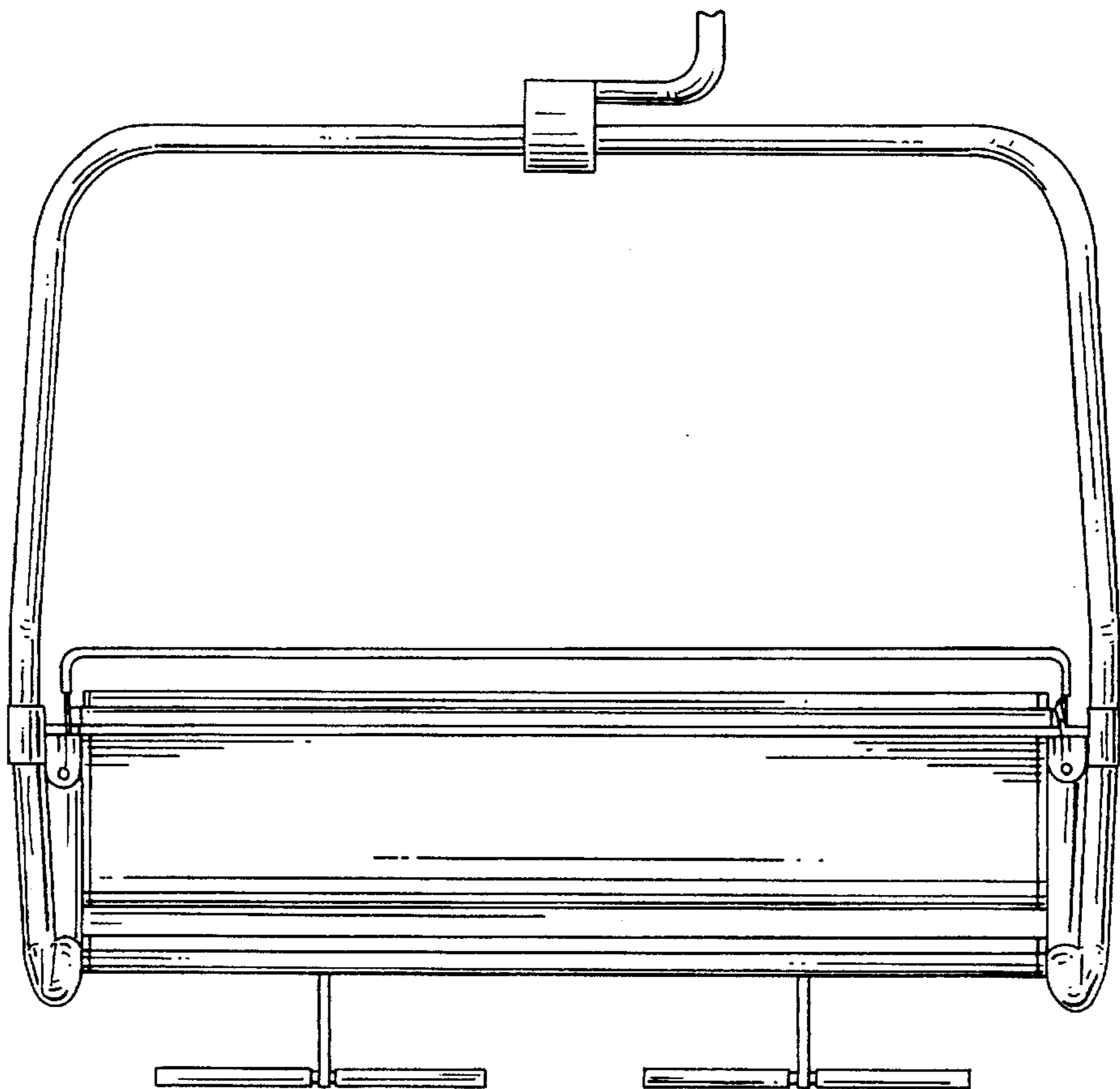


Fig.5



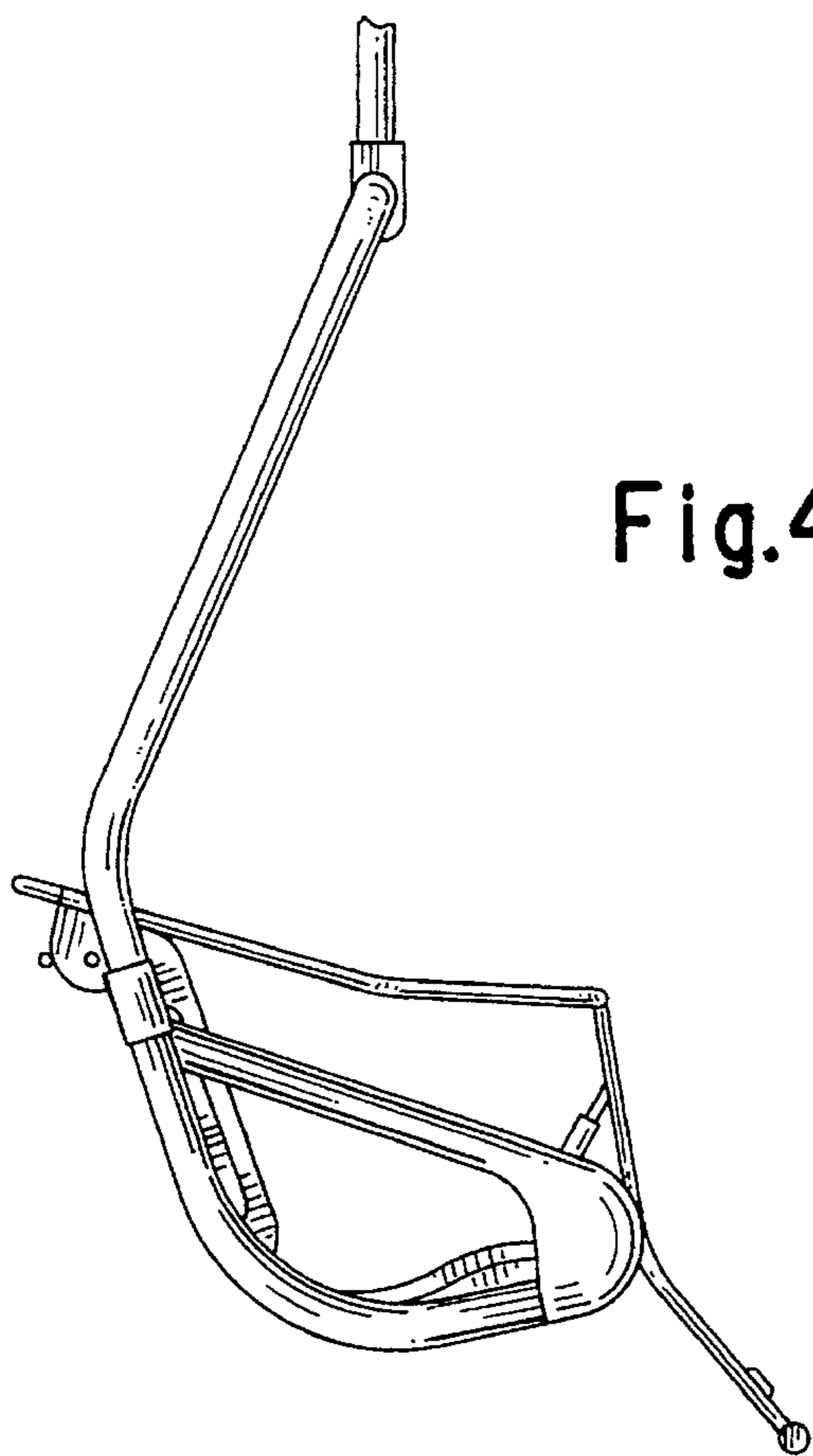


Fig.4

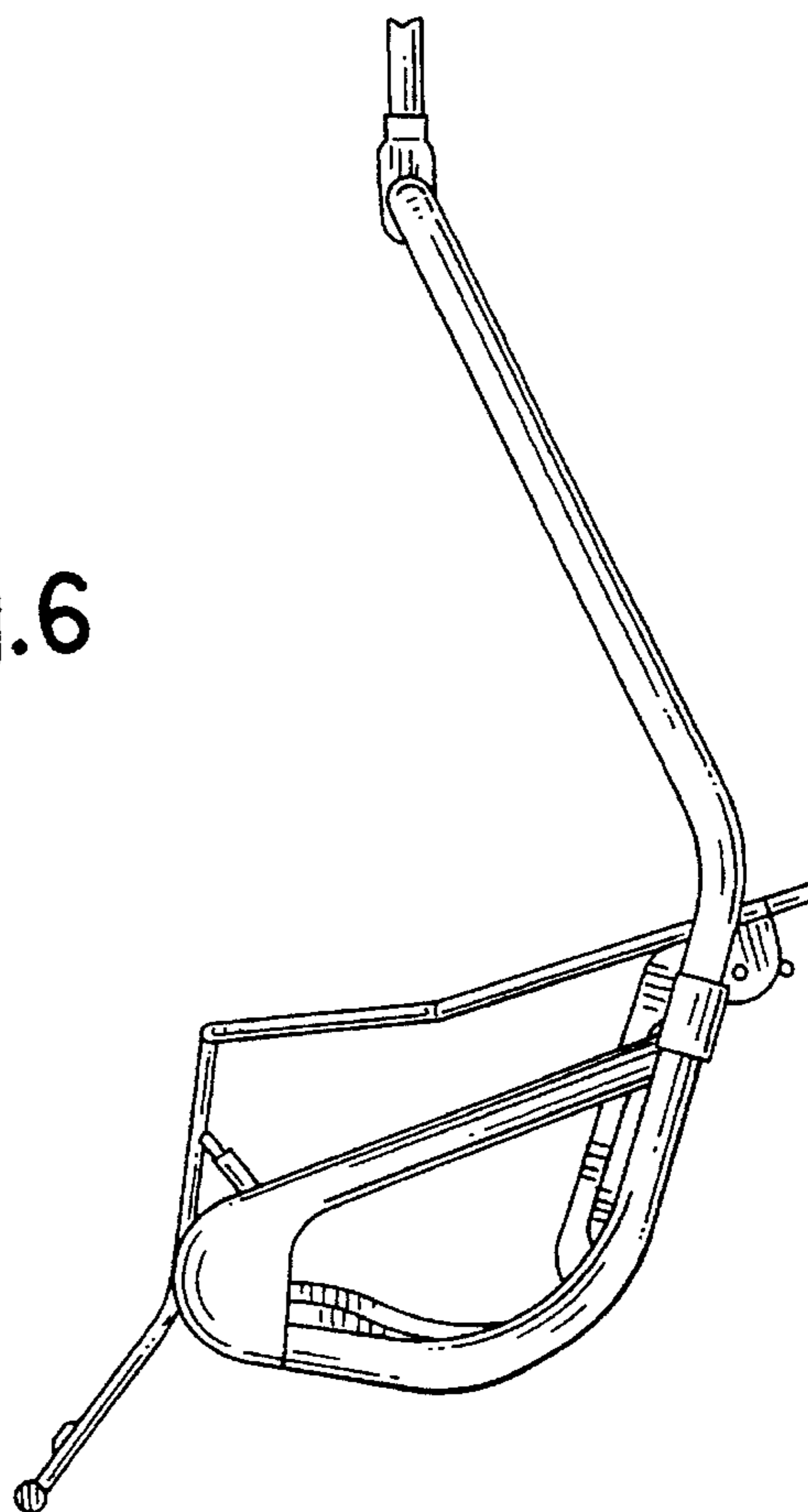


Fig.6

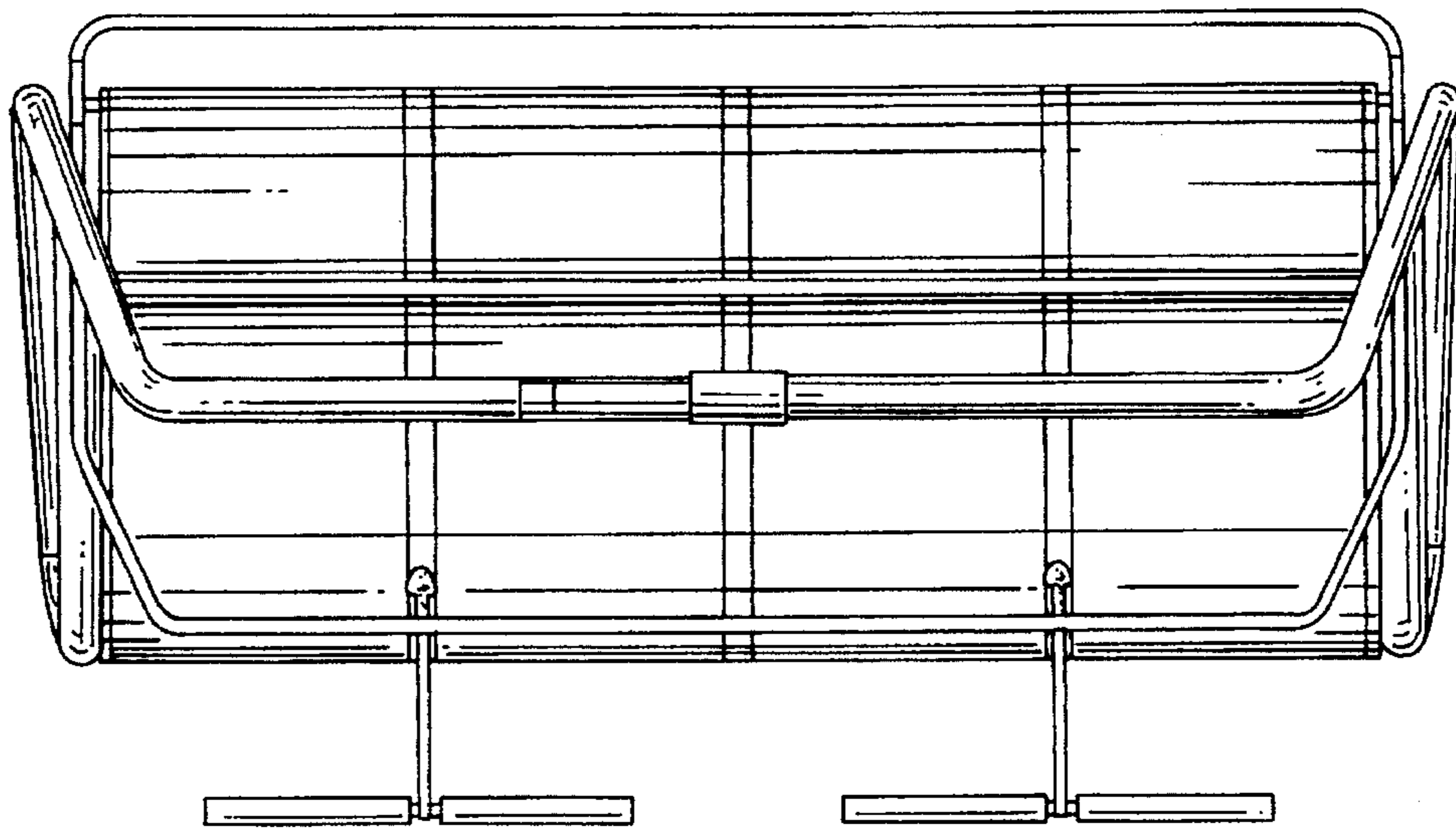


Fig.7

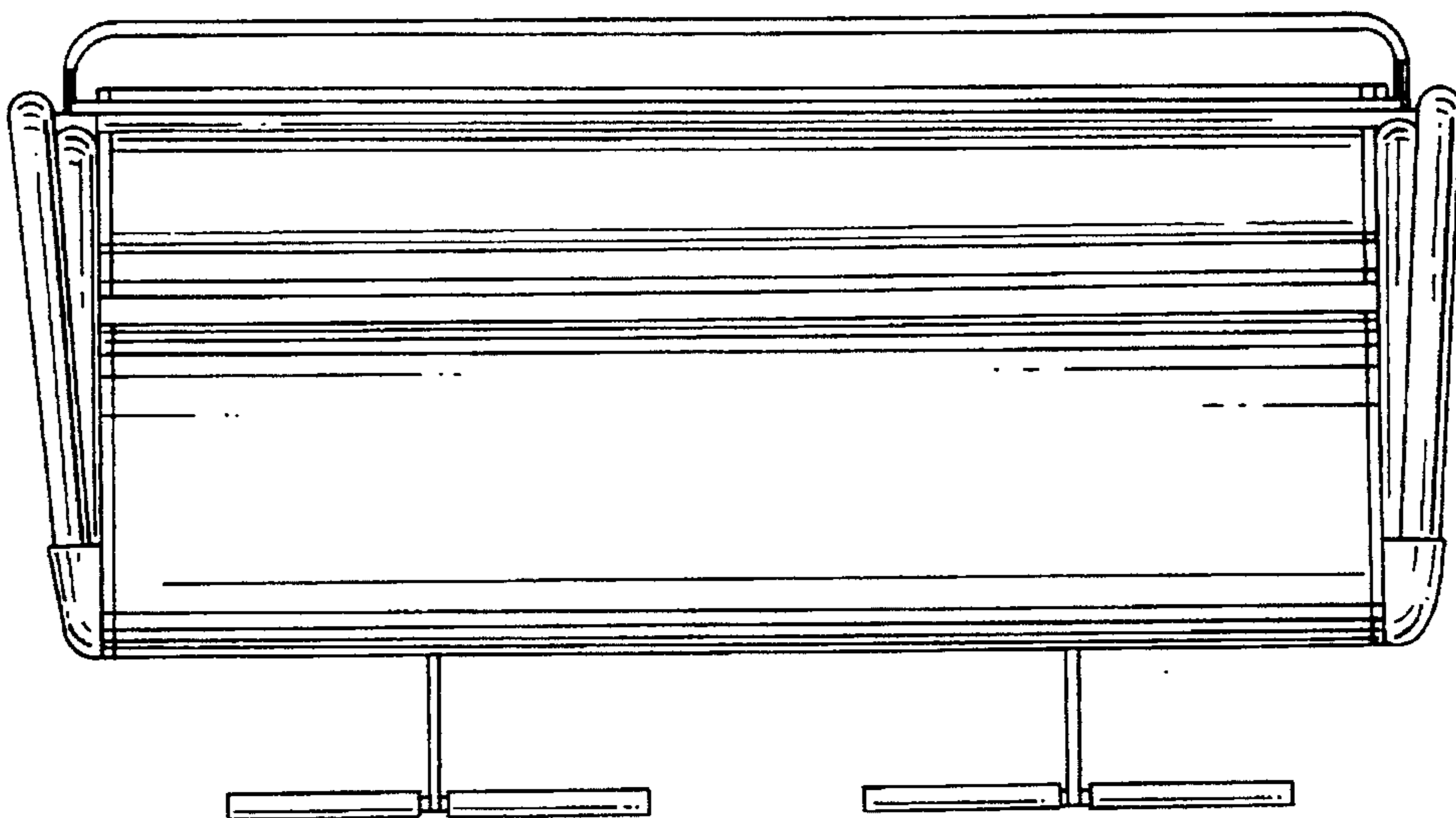


Fig.8