



US00D374195S

United States Patent [19]

Wright et al.

[11] Patent Number: **Des. 374,195**

[45] Date of Patent: ****Oct. 1, 1996**

[54] **ADJUSTABLE STAND**

[75] Inventors: **James H. Wright**, Sausalito; **Daniel L. Wright**, San Diego, both of Calif.

[73] Assignee: **Richmond Engineering, Inc.**, Sausalito, Calif.

[**] Term: **14 Years**

[21] Appl. No.: **45,768**

[22] Filed: **Oct. 30, 1995**

[52] U.S. Cl. **D11/130.1**

[58] Field of Search **D11/130.1; 47/40.5; 248/519, 527**

[56] **References Cited**

U.S. PATENT DOCUMENTS

D. 177,698	5/1956	Scanland	D11/130.1
D. 178,974	10/1956	Schulz	D11/130.1
D. 234,991	4/1975	Oliver	D11/130.1
D. 345,943	4/1994	Leyan, Jr.	D11/130.1
2,904,291	9/1959	Harbes et al.	D11/130.1

Primary Examiner—Dominic Simone
Attorney, Agent, or Firm—Harris Zimmerman

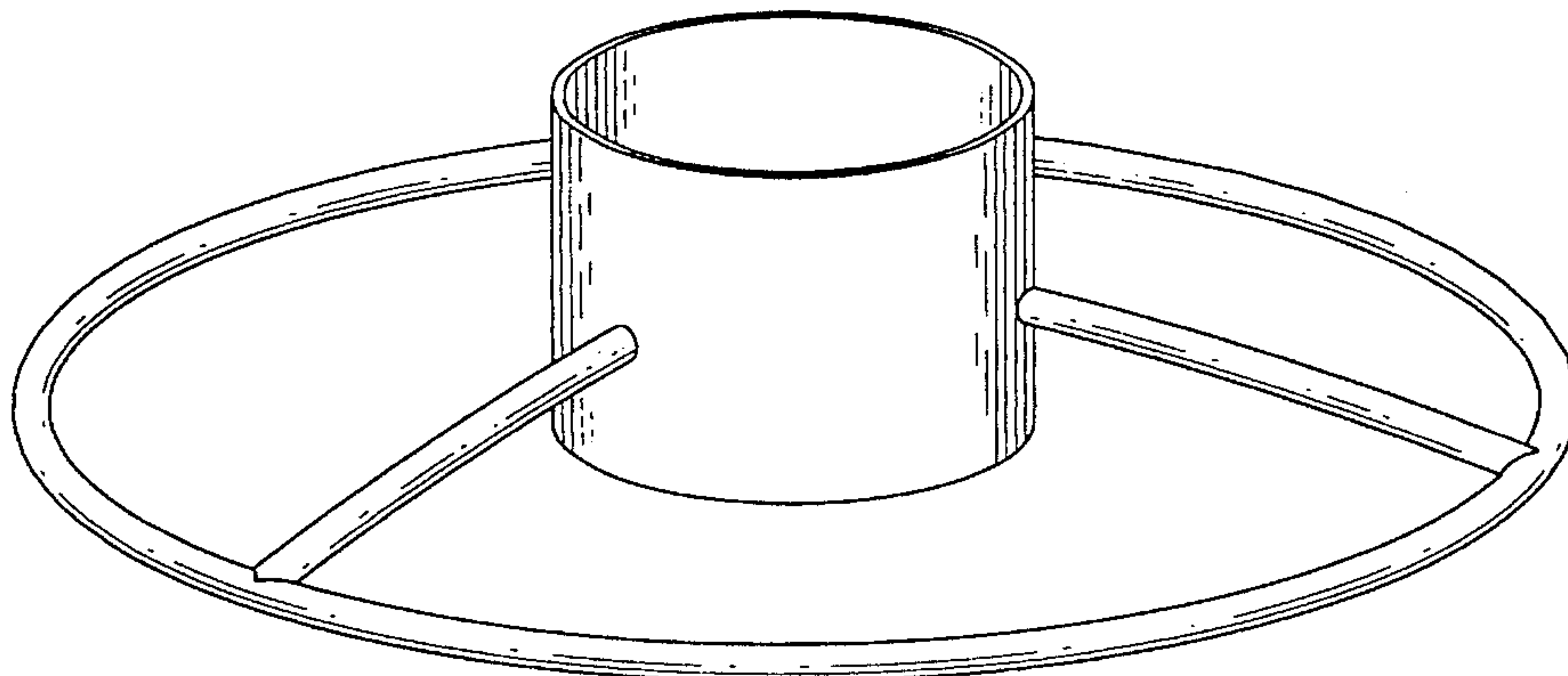
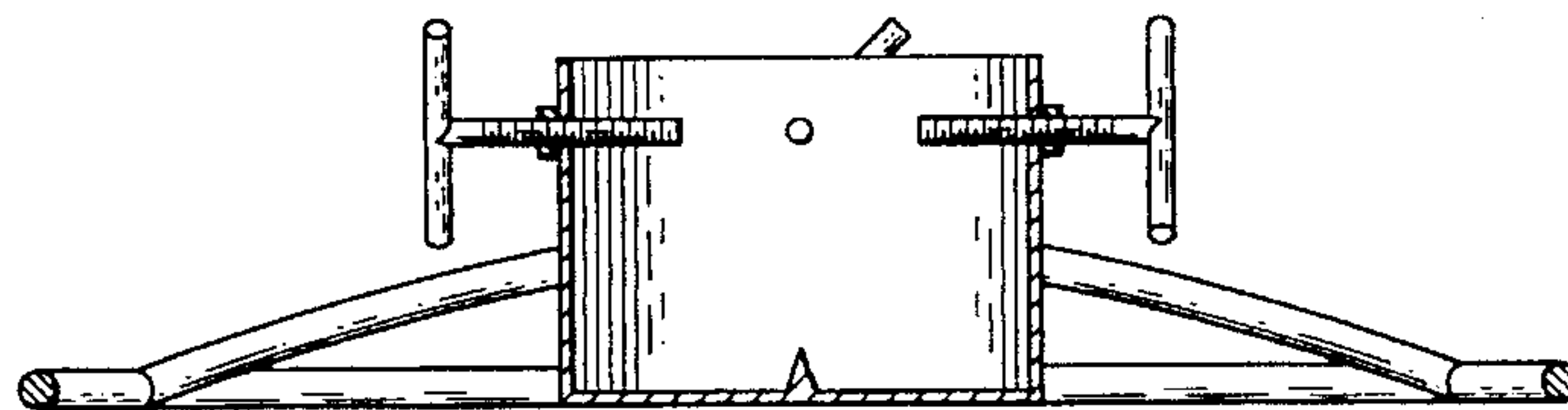
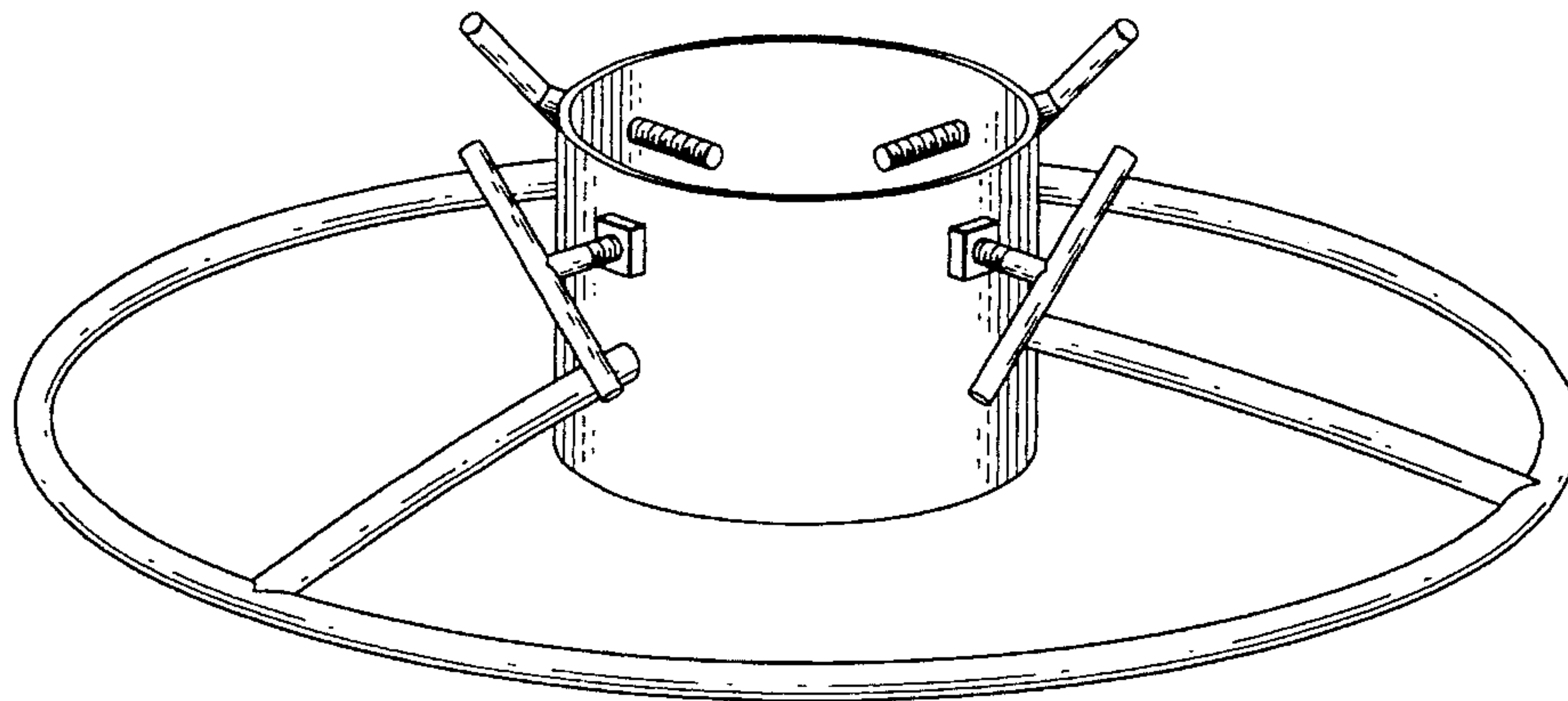
[57] **CLAIM**

The ornamental design for a adjustable stand, as shown and described.

DESCRIPTION

FIG. 1 is a front perspective view of an adjustable stand showing our new design;
 FIG. 2 is a top plan view thereof;
 FIG. 3 is a right side elevational view thereof;
 FIG. 4 is a left side elevational view thereof;
 FIG. 5 is a bottom plan view thereof;
 FIG. 6 is a rear elevational view thereof;
 FIG. 7 is a cross sectional view thereof, take in the direction of the arrows along line 7—7 of FIG. 2; and,
 FIG. 8 is a front perspective view of a second embodiment of FIG. 1, the only difference being the removal of the adjusting bolts.

1 Claim, 3 Drawing Sheets



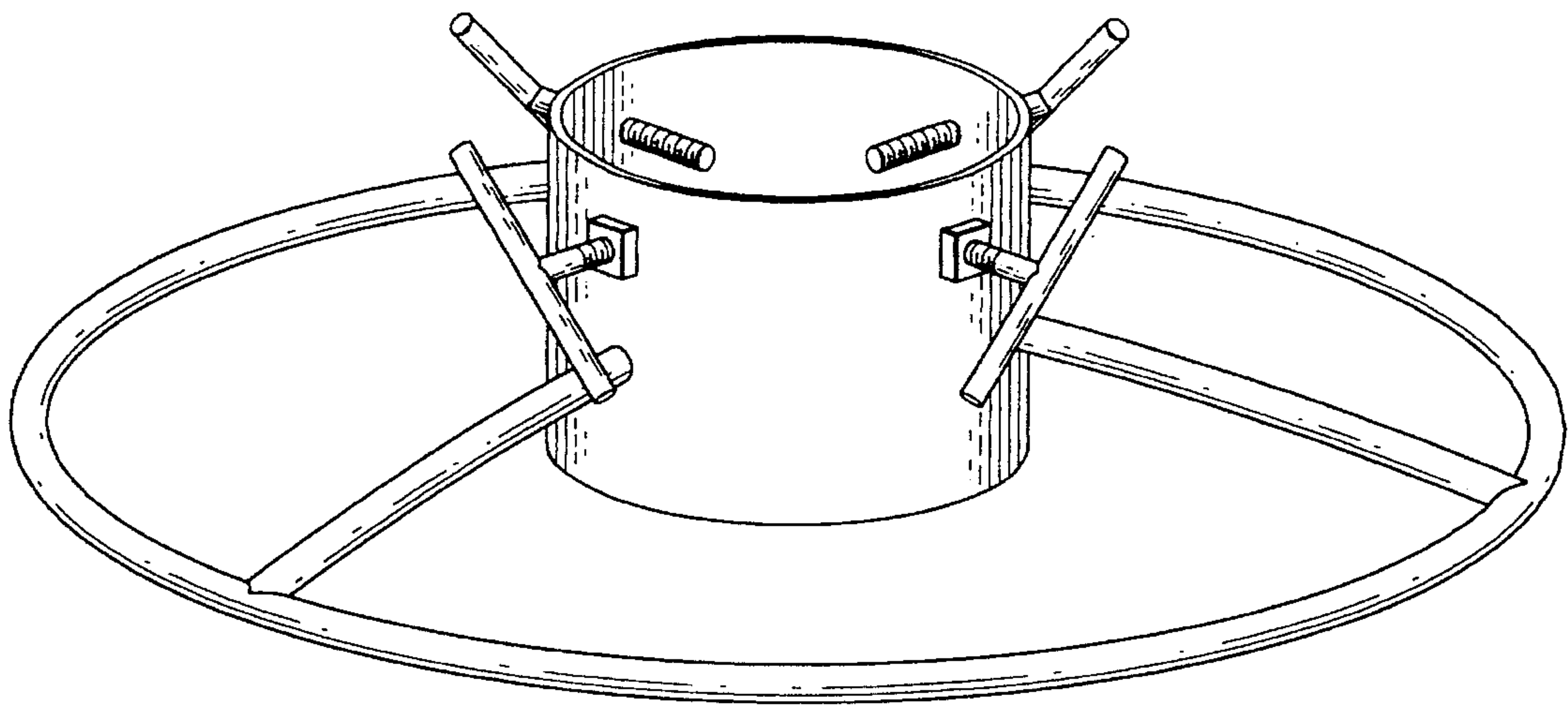


Fig. 1

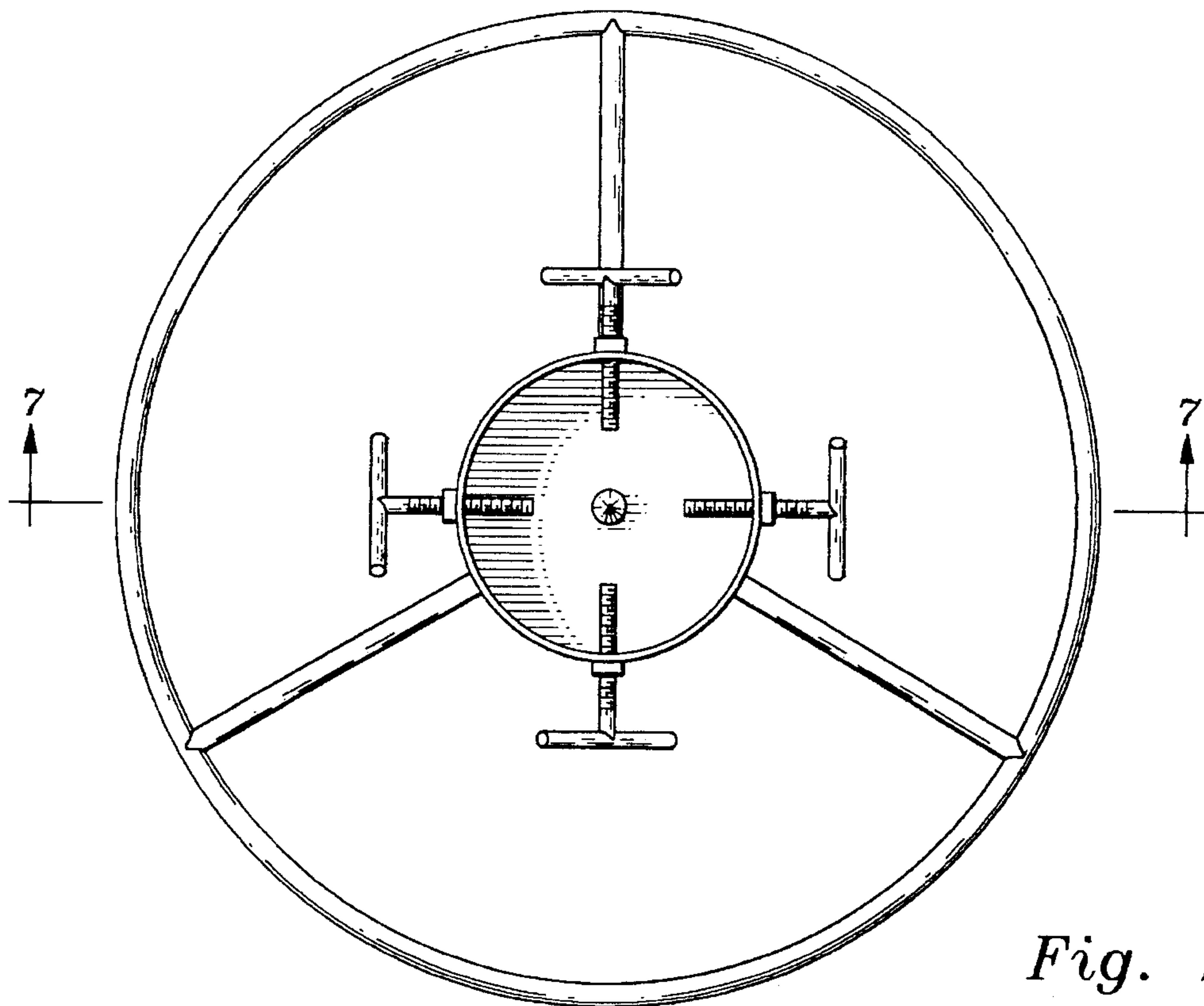


Fig. 2

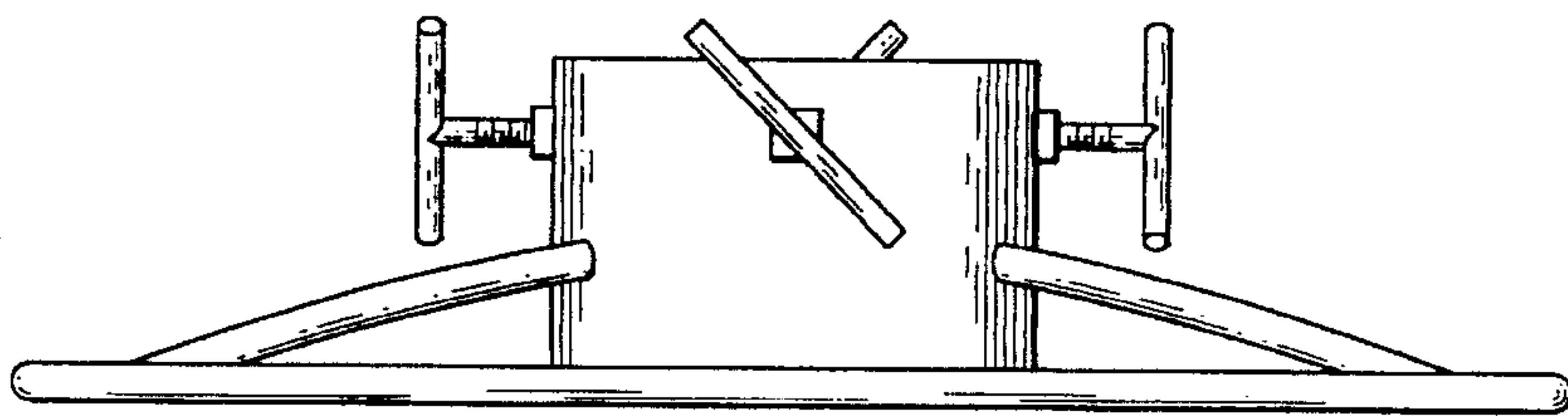


Fig. 3

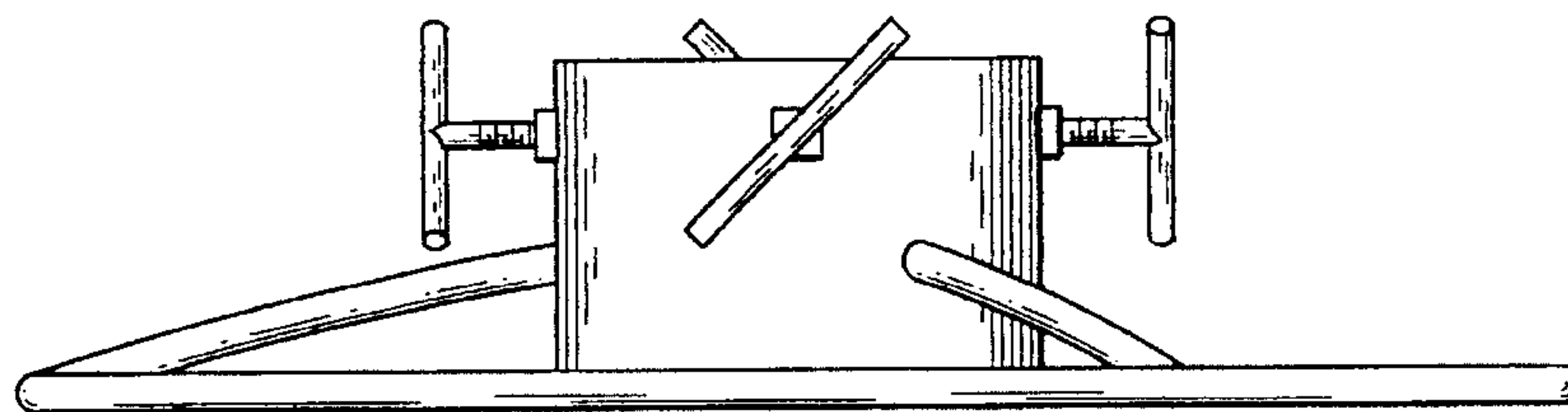


Fig. 4

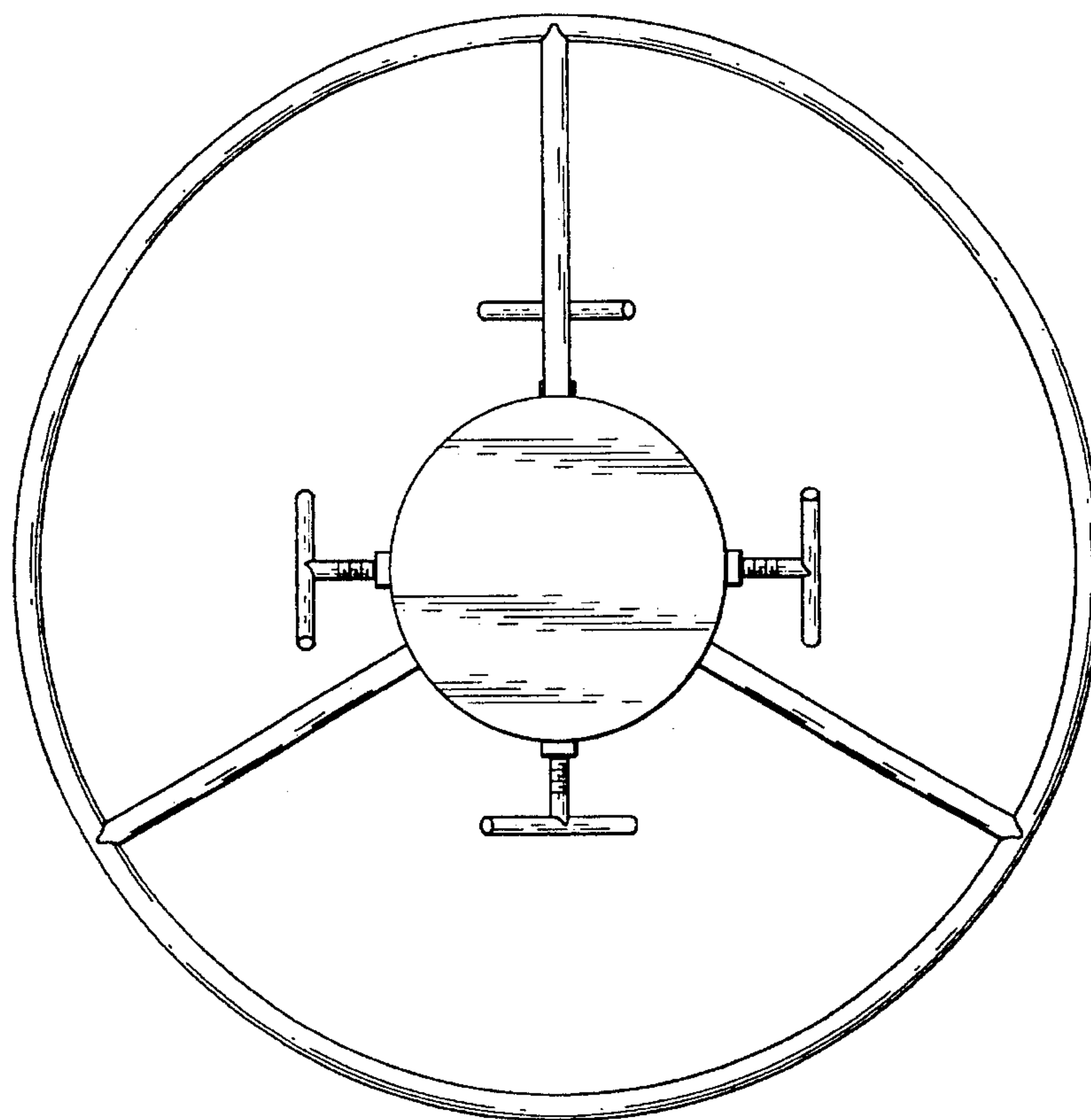


Fig. 5

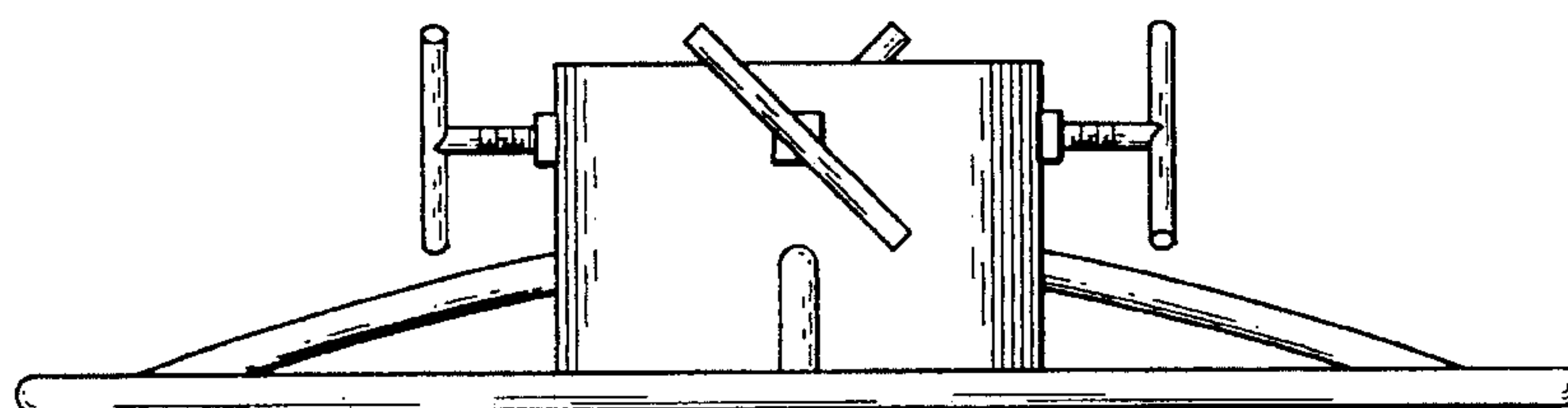


Fig. 6

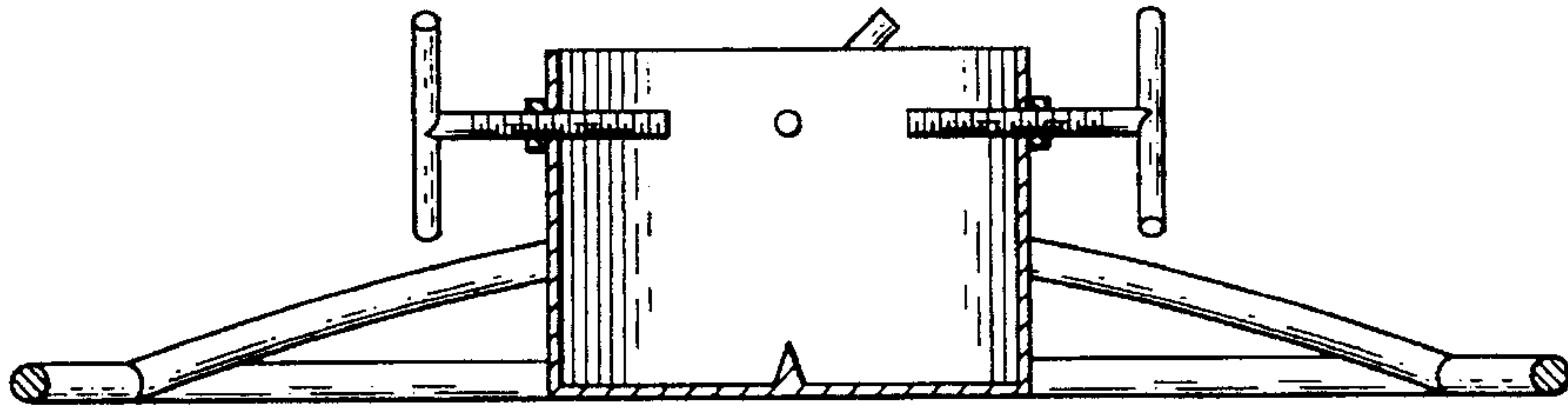


Fig. 7

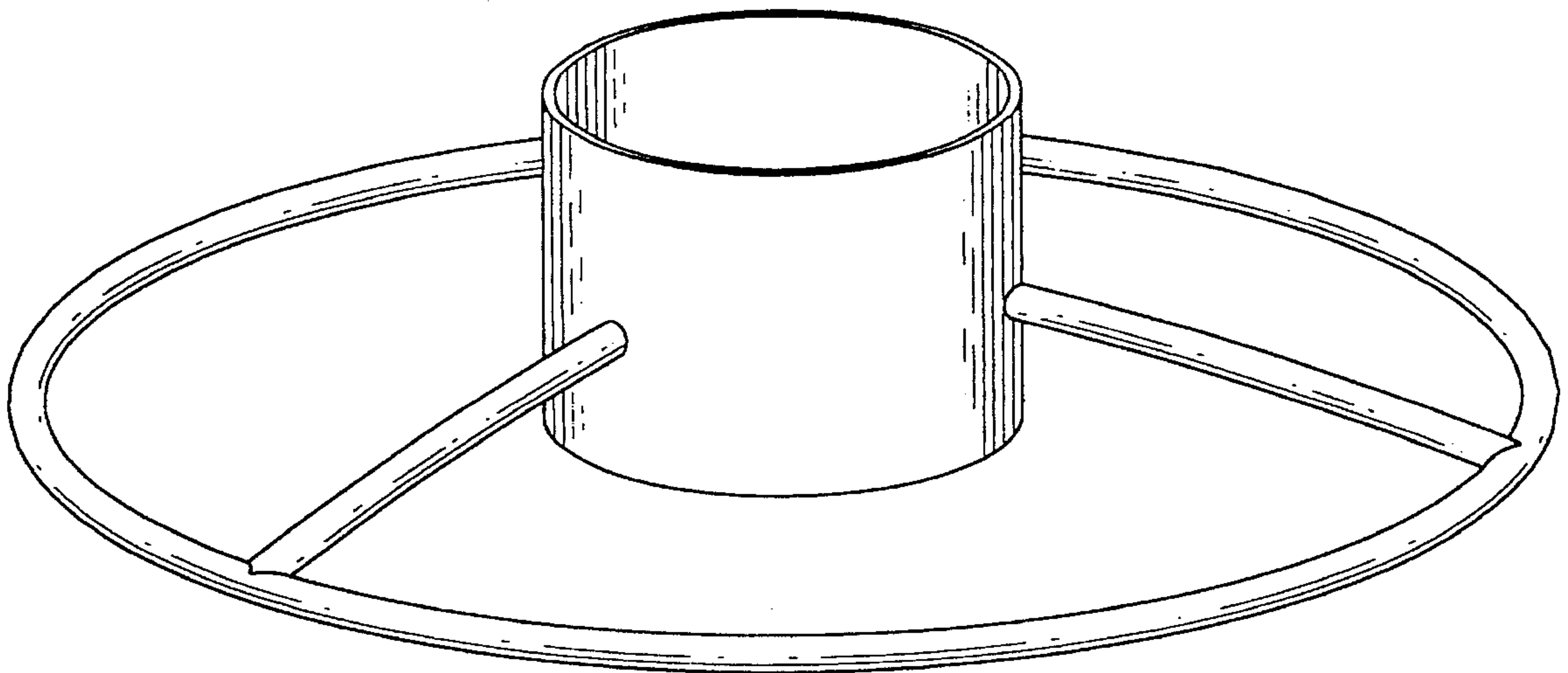


Fig. 8