



US00D374193S

**United States Patent** [19]  
**Doustorian**

[11] **Patent Number:** **Des. 374,193**

[45] **Date of Patent:** **\*\*Oct. 1, 1996**

[54] **FINGER RING**

D. 348,022 6/1994 Sandberg ..... D11/34  
D. 349,072 7/1994 Ambar ..... D11/34

[75] **Inventor:** **Jack Doustorian**, Ridgefield, N.J.

*Primary Examiner*—Ralf Seifert

[73] **Assignees:** **Jeffrey Link**, Irvington; **Douglas Sills**,  
Dobbs Ferry, both of N.Y.

*Attorney, Agent, or Firm*—Levisohn, Lerner, Berger &  
Langsam

[\*\*] **Term:** **14 Years**

[57] **CLAIM**

[21] **Appl. No.:** **39,282**

The ornamental design for a finger ring, as shown in the  
drawings.

[22] **Filed:** **May 17, 1995**

**DESCRIPTION**

[52] **U.S. Cl.** ..... **D11/34**

[58] **Field of Search** ..... D11/1-4, 26-39;  
63/1.1, 2, 15-15.8, 26-31

FIG. 1 is a perspective view of a finger ring showing my new  
design;

FIG. 2 is a front elevational view;

FIG. 3 is a left side elevational view, the right side eleva-  
tional view being a mirror image;

FIG. 4 is a top plan view, the opposite side view being a  
mirror image; and,

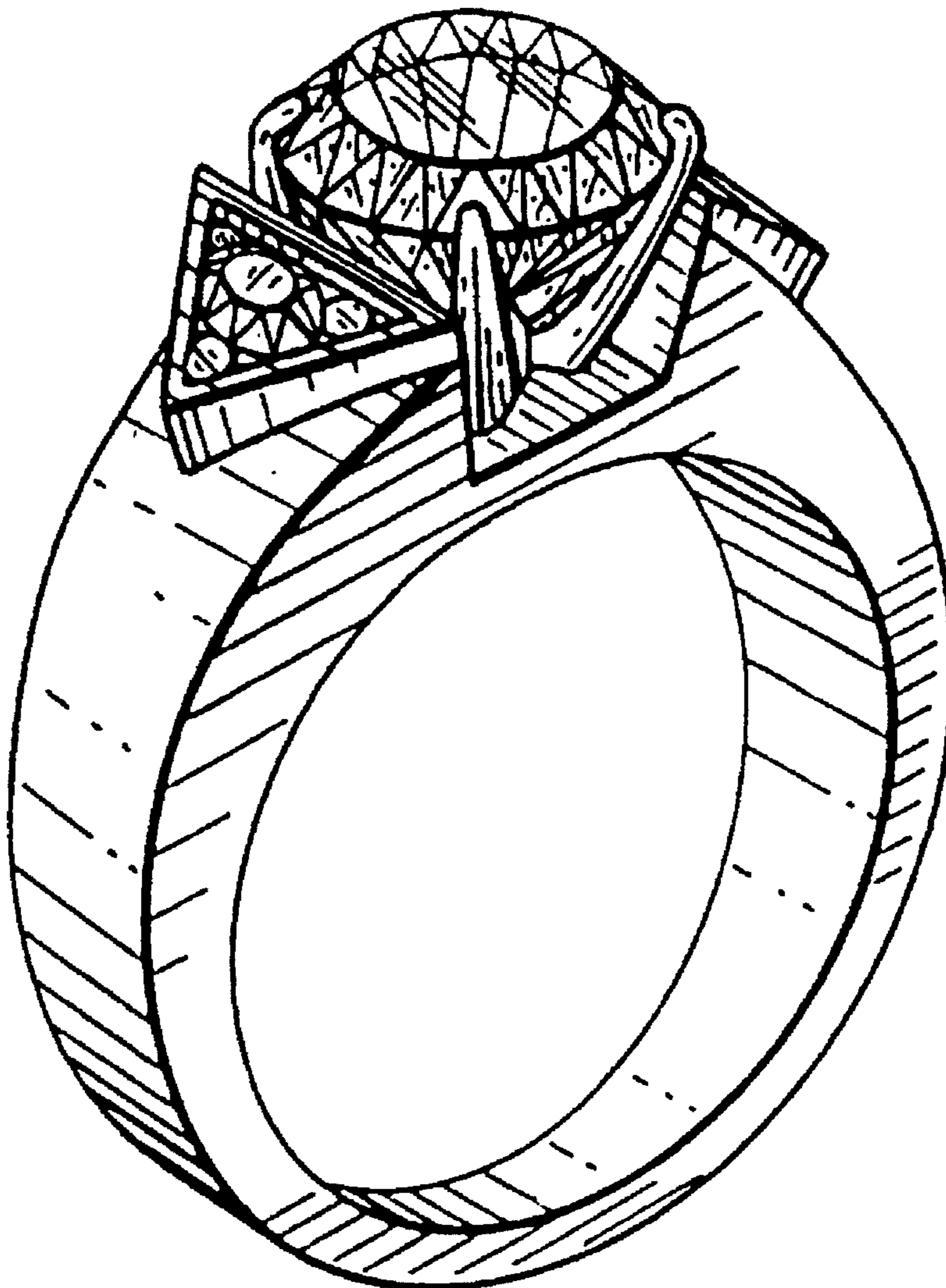
FIG. 5 is a rear elevational view.

[56] **References Cited**

**U.S. PATENT DOCUMENTS**

D. 137,409	3/1944	Granat	.....	D11/34
D. 171,869	3/1954	Sorrentino	.....	D11/34
D. 177,546	4/1956	Weiss	.....	D11/34
D. 257,021	9/1980	Barr	.....	D11/34

**1 Claim, 1 Drawing Sheet**



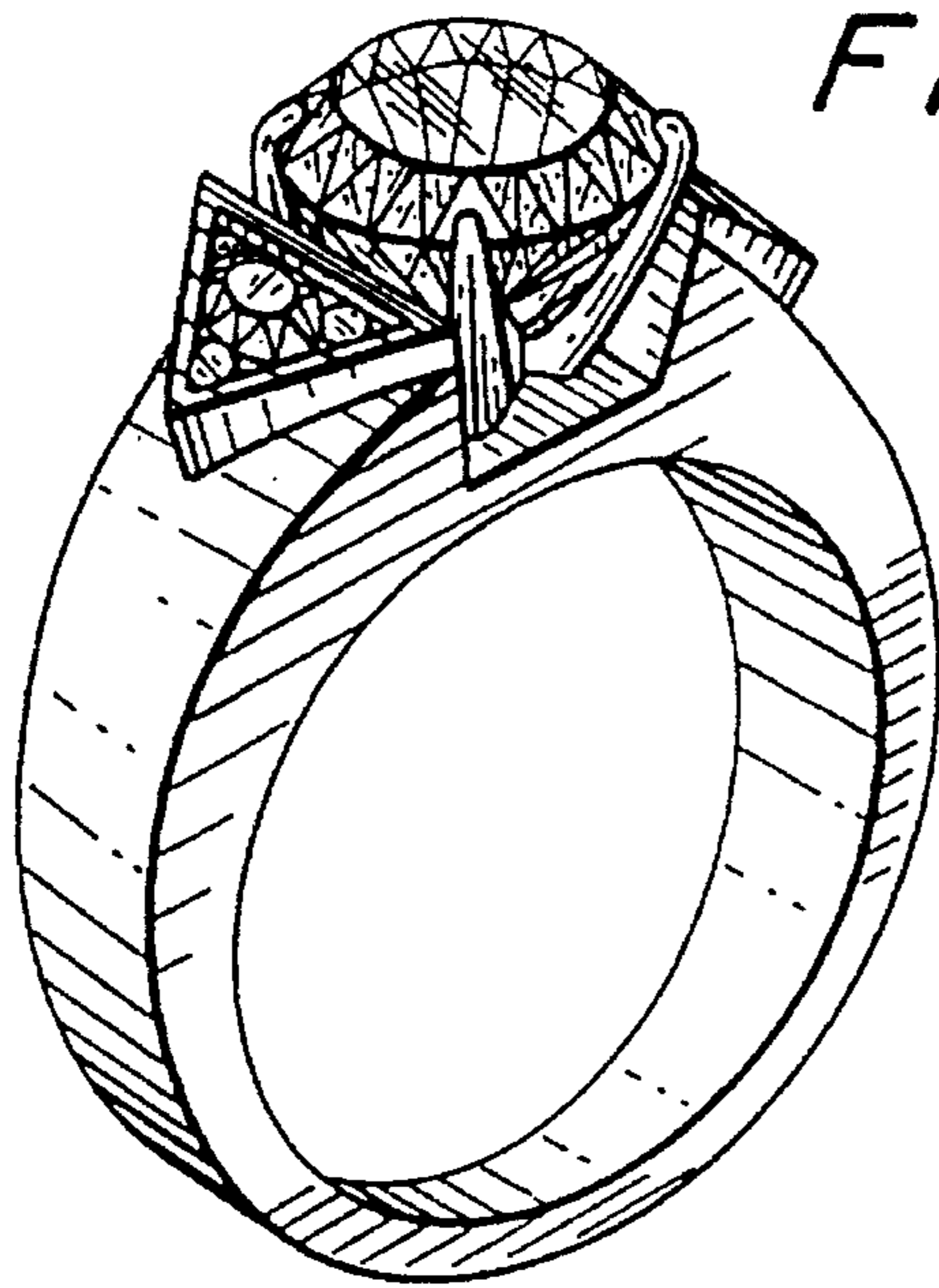


FIG. 1

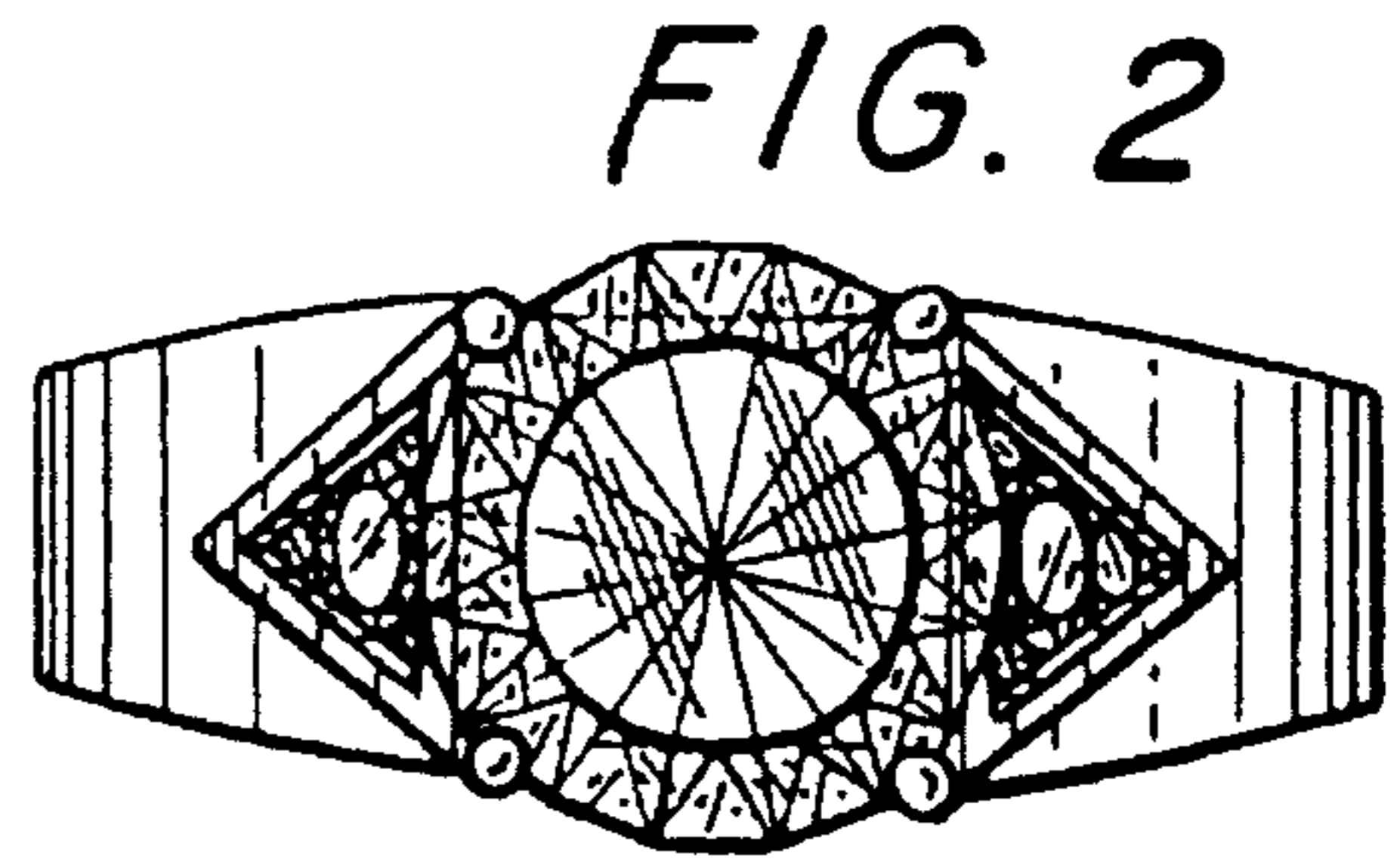


FIG. 2

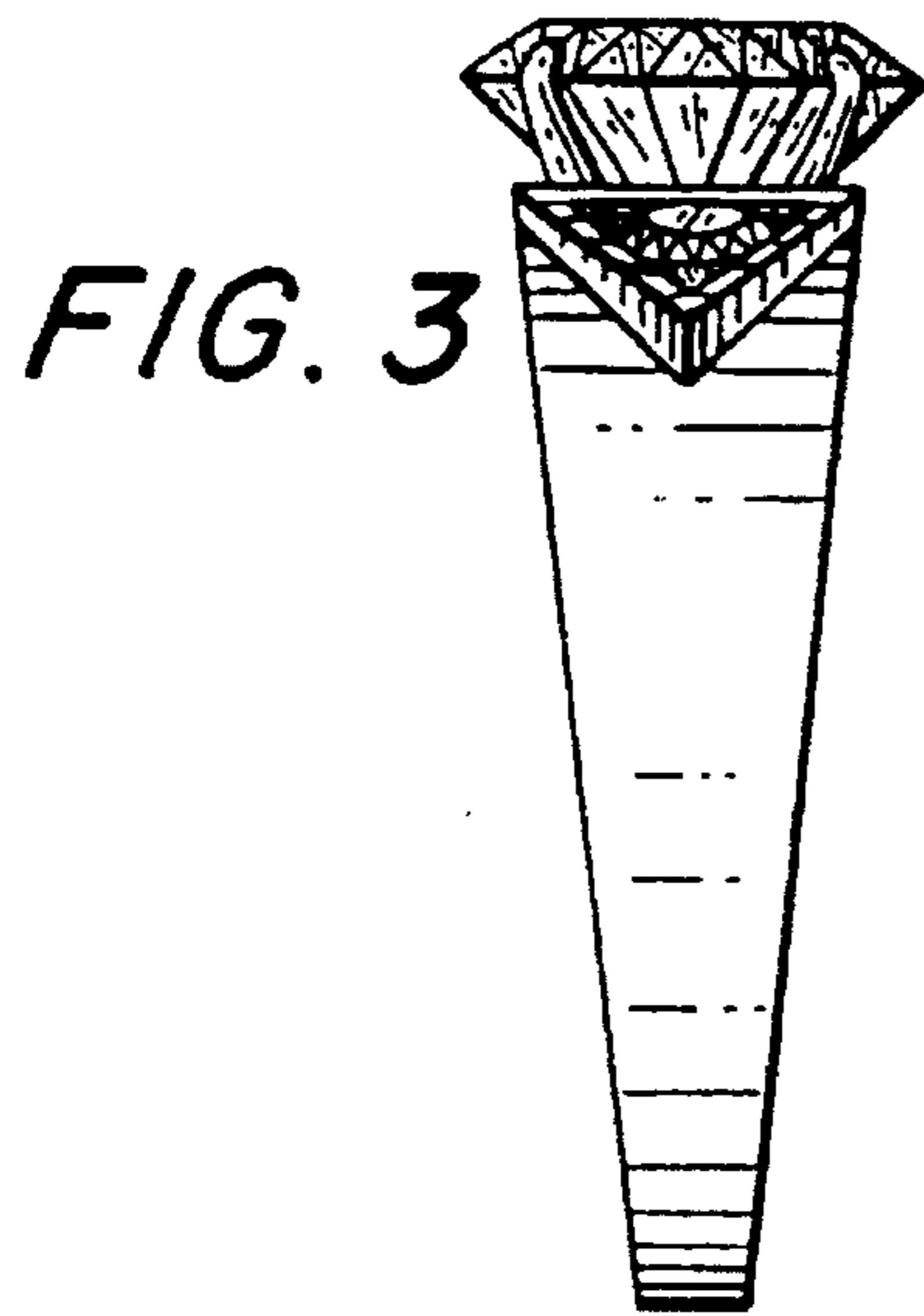


FIG. 3

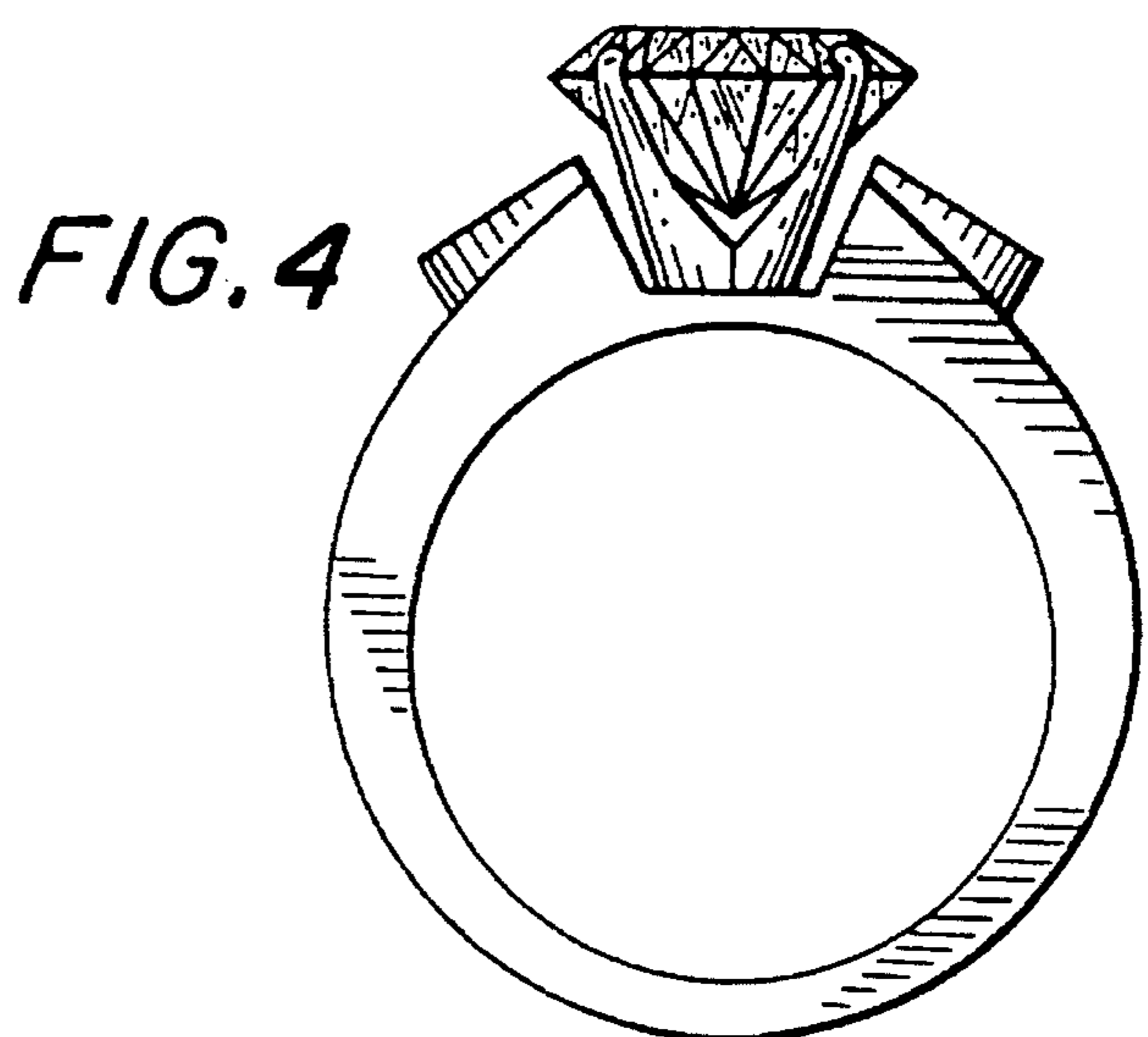


FIG. 4

FIG. 5

