



US00D374189S

United States Patent [19]
Hubben

[11] **Patent Number: Des. 374,189**

[45] **Date of Patent: **Oct. 1, 1996**

[54] **PASSIVE INFRARED DETECTOR HOUSING**

[75] Inventor: **Edward B. Hubben**, Skaneateles, N.Y.

[73] Assignee: **Pass & Seymour, Inc.**, Syracuse, N.Y.

[**] Term: **14 Years**

[21] Appl. No.: **40,745**

[22] Filed: **Jun. 26, 1995**

[52] U.S. Cl. **D10/106**

[58] **Field of Search** D10/104, 106,
D10/116, 121; 340/500, 506, 540, 541,
573, 574, 575, 576, 577, 578, 589, 600,
693

[56] **References Cited**

U.S. PATENT DOCUMENTS

D. 286,514 11/1986 Spang D10/106

D. 307,560 5/1990 Andrews et al. D10/106
D. 354,925 1/1995 Eggers et al. D10/106

Primary Examiner—Marcus A. Jackson
Attorney, Agent, or Firm—Charles S. McGuire

[57] **CLAIM**

The ornamental design for passive infrared detector housing,
as shown and described.

DESCRIPTION

FIG. 1 is a perspective view of the passive infrared detector,
taken from the upper, front side;
FIG. 2 is a top, plan view;
FIG. 3 is a bottom plan view;
FIG. 4 is a left side view;
FIG. 5 is a right side view;
FIG. 6 is a front elevational view; and,
FIG. 7 is a rear elevational view.

1 Claim, 2 Drawing Sheets

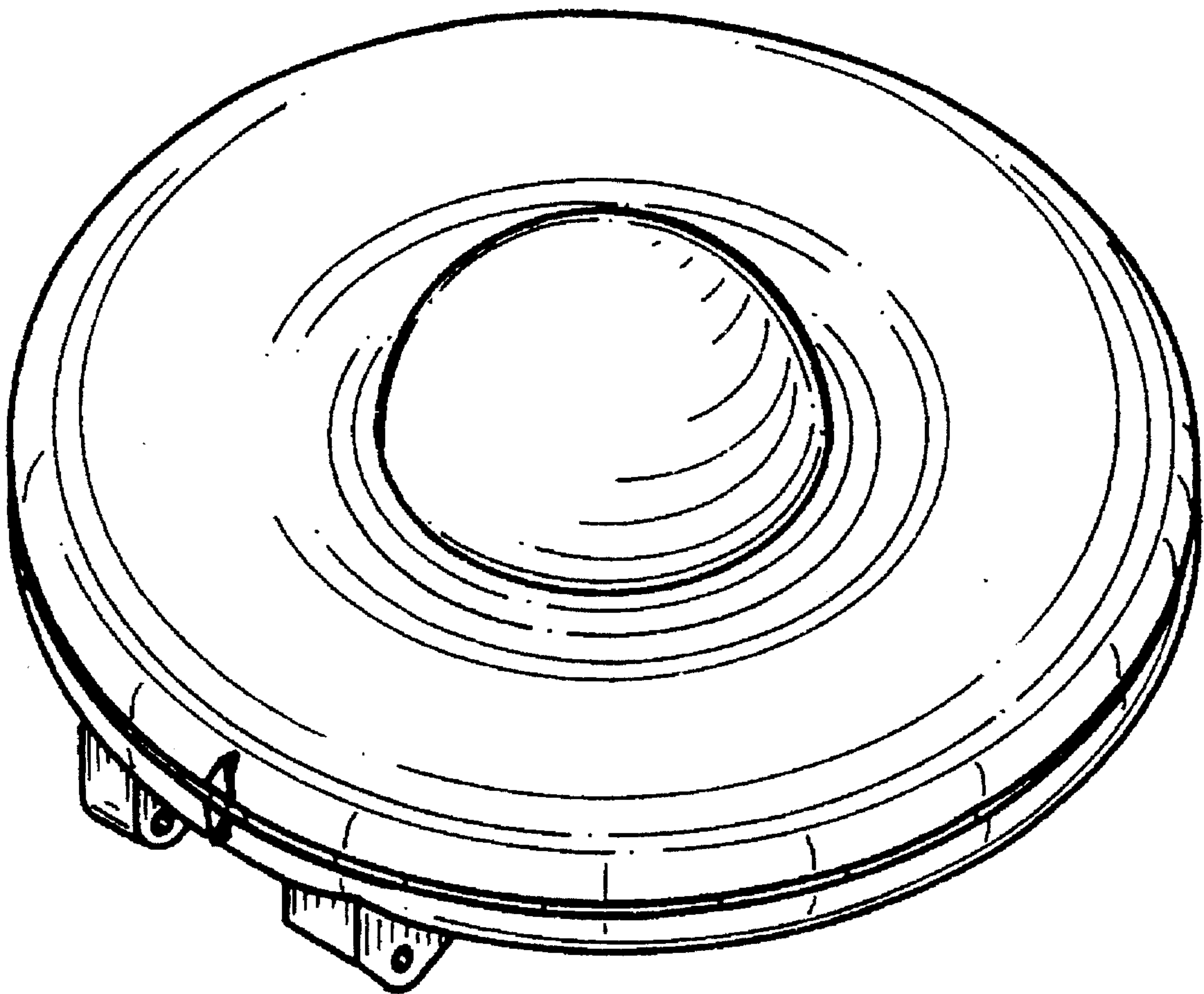


FIG. 1

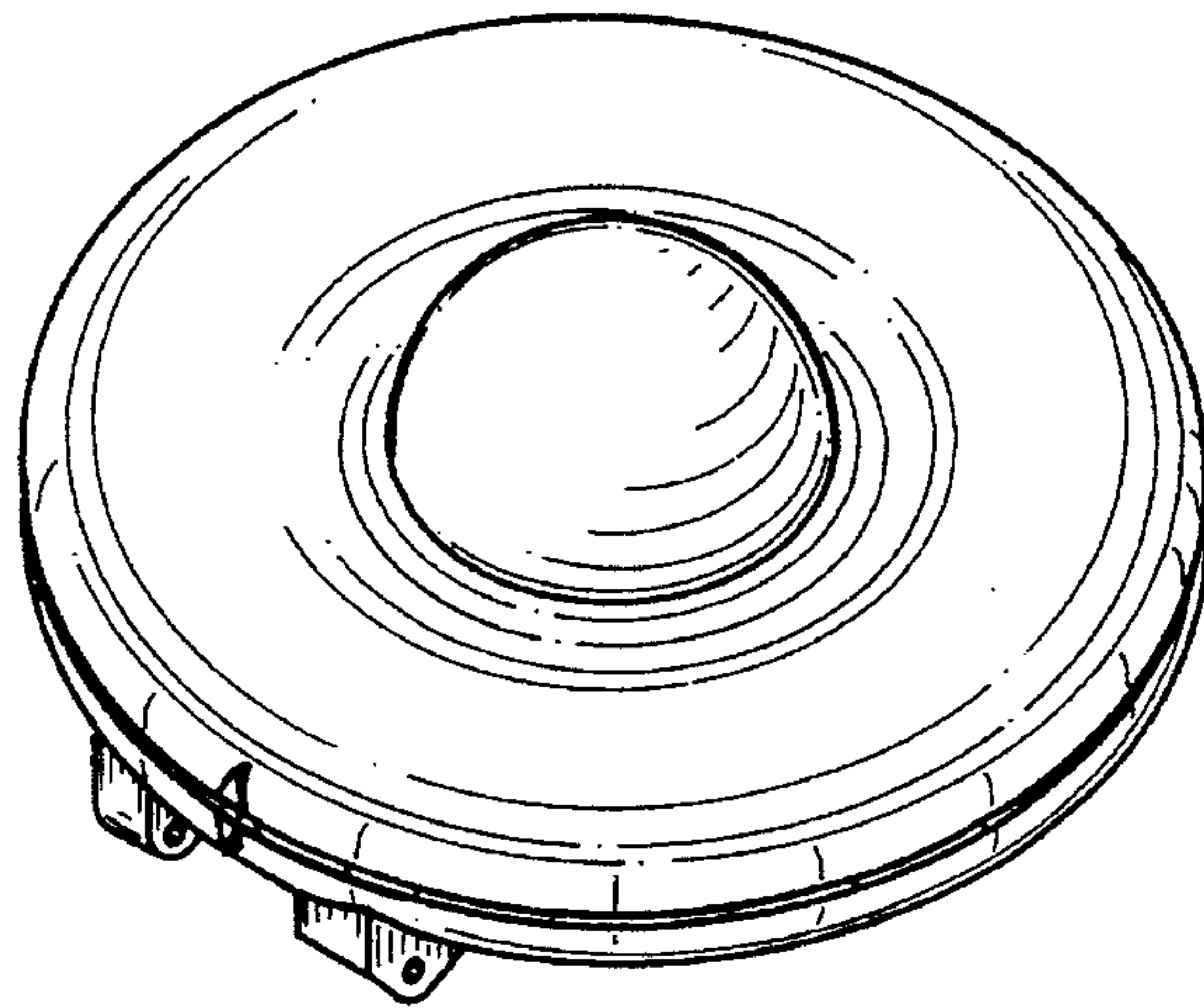


FIG. 2

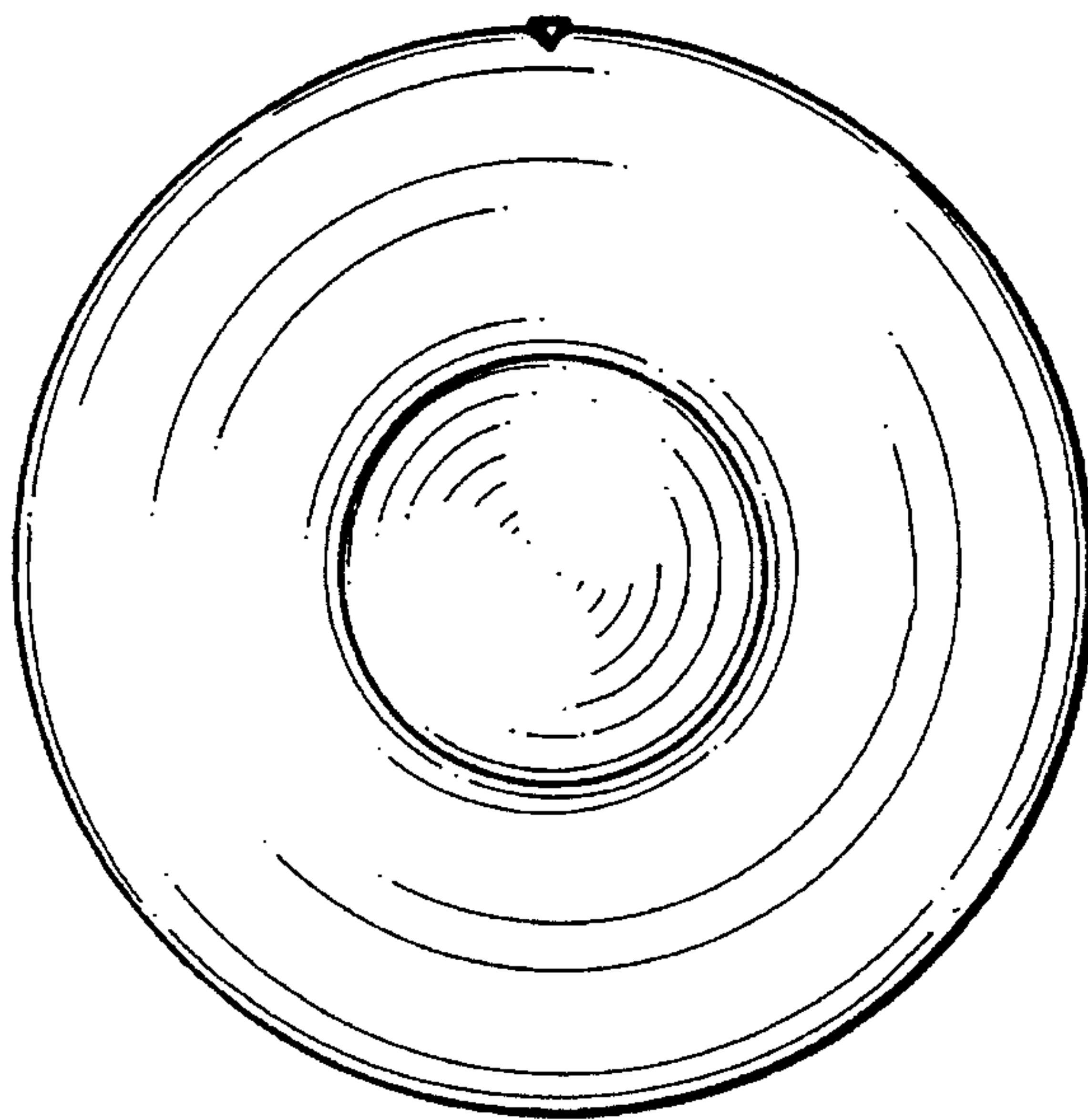


FIG. 3

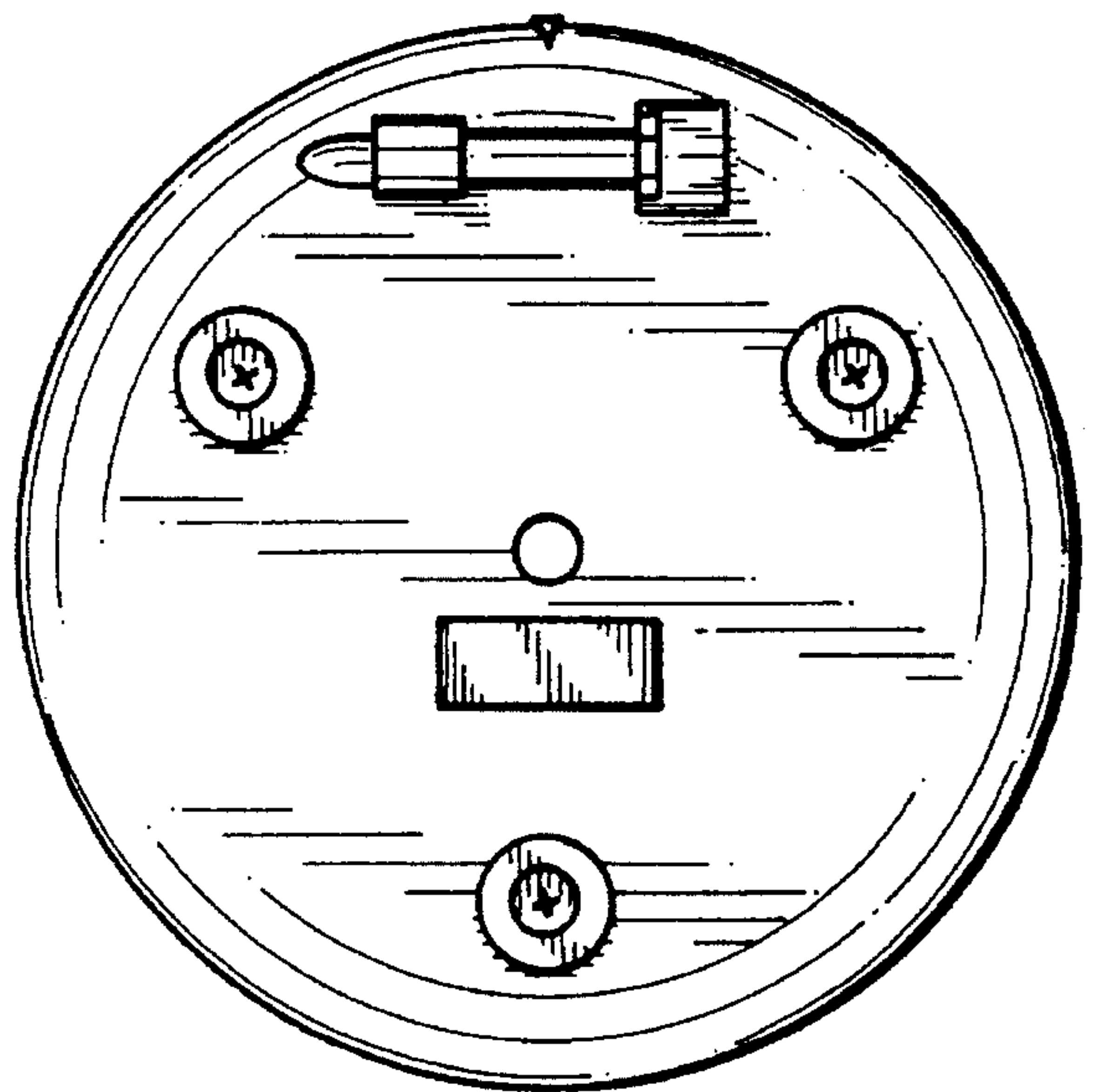


FIG.4

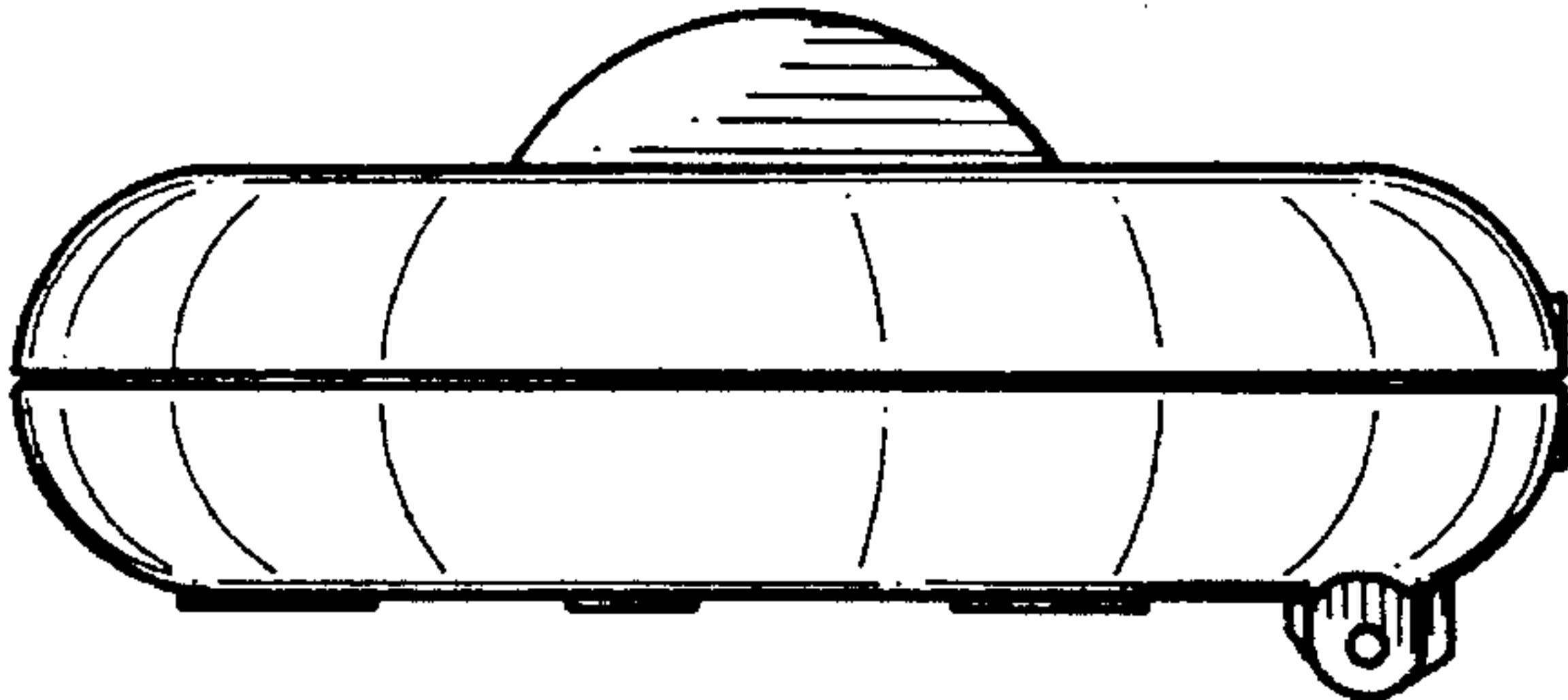


FIG.5

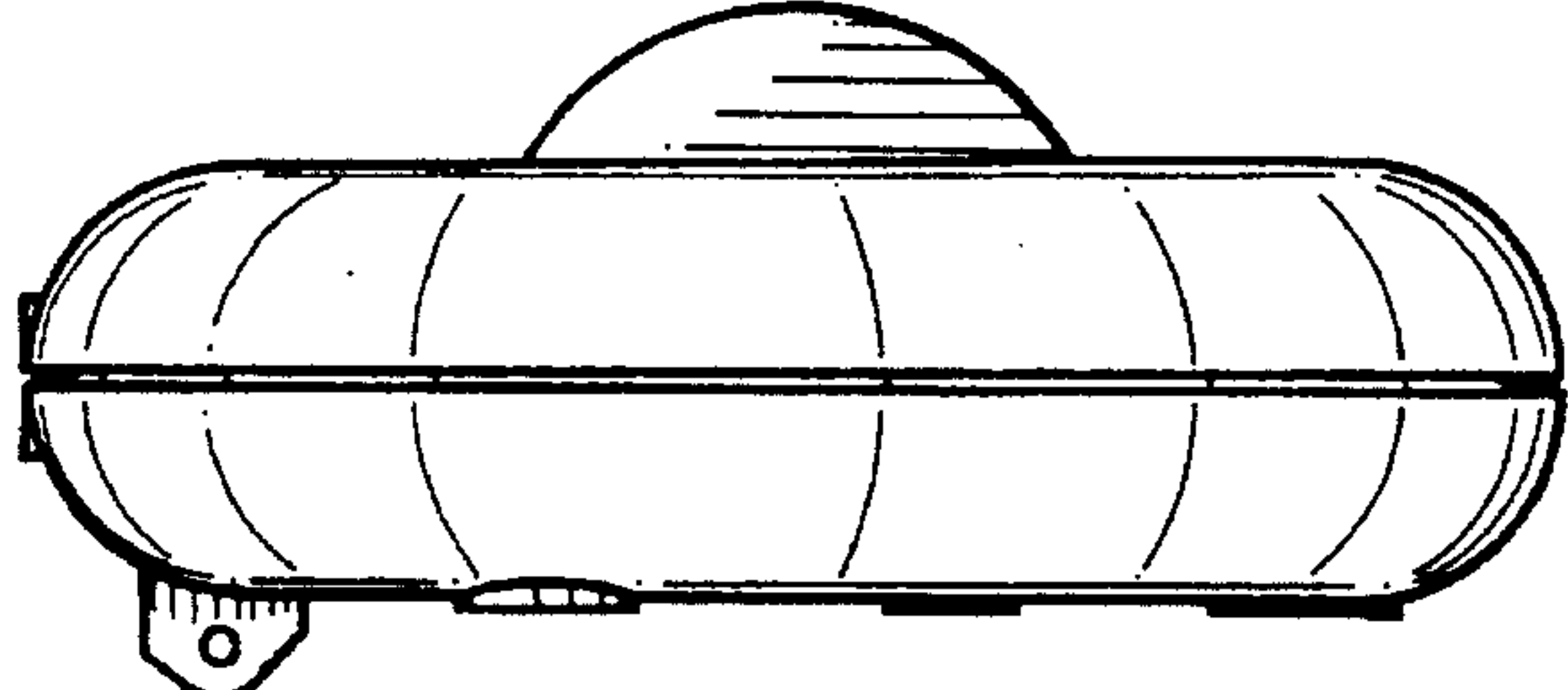


FIG.6

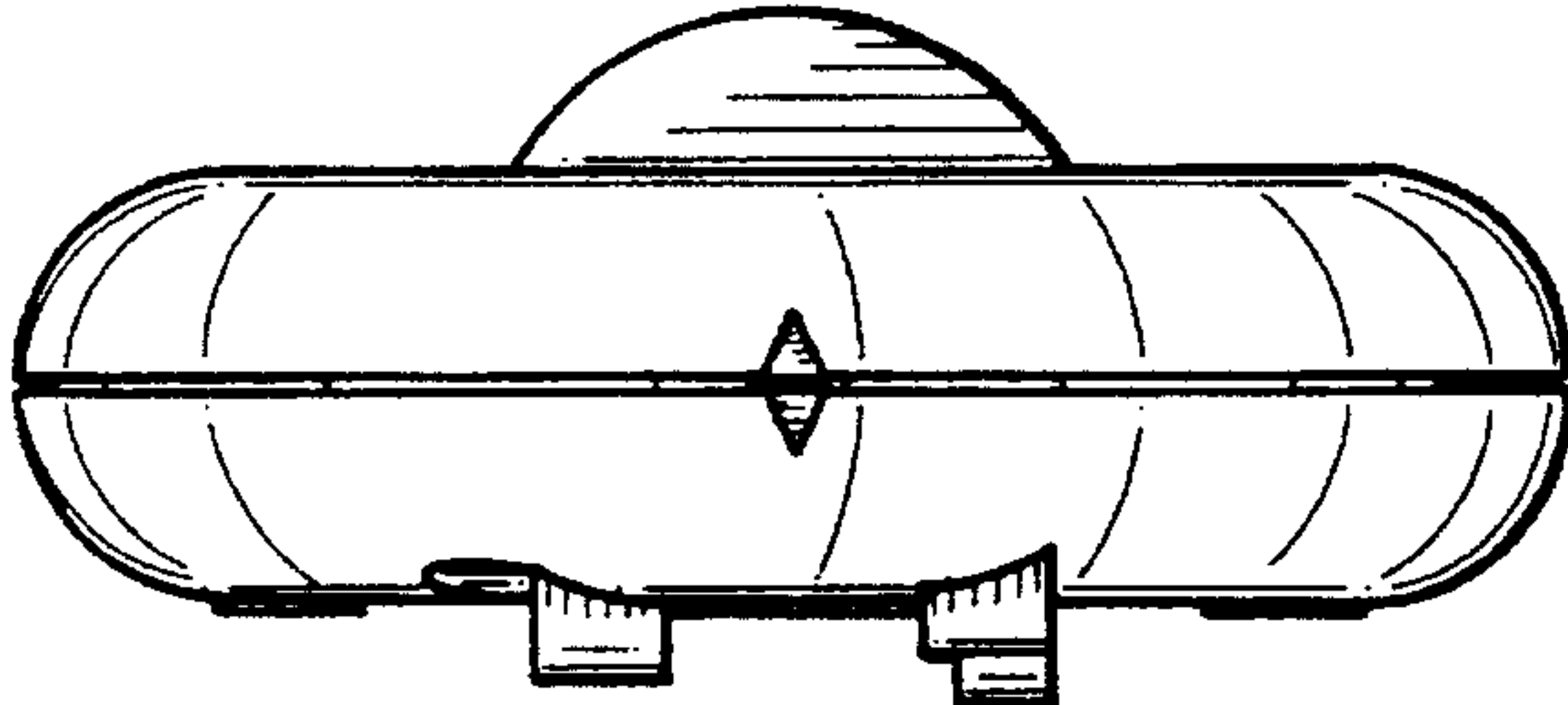


FIG.7

