



US00D374187S

United States Patent [19]
Phelps

[11] **Patent Number:** **Des. 374,187**

[45] **Date of Patent:** ****Oct. 1, 1996**

[54] **AUTOMOTIVE SERVICE REMINDER**

5,186,148 12/1993 Wataya 123/479

[76] Inventor: **William R. Phelps**, 1515 Fairview
Boiling Springs Rd., Bowling Green,
Ky. 42101

Primary Examiner—Marcus A. Jackson
Attorney, Agent, or Firm—James A. Hudak

[**] Term: **14 Years**

[57] **CLAIM**

The ornamental design for an automotive service reminder,
as shown and described.

[21] Appl. No.: **40,043**

DESCRIPTION

[22] Filed: **Jun. 8, 1995**

[52] U.S. Cl. **D10/104**

[58] Field of Search D10/104, 106,
D10/116, 121; D20/18; 340/425.5, 438,
439, 457, 455

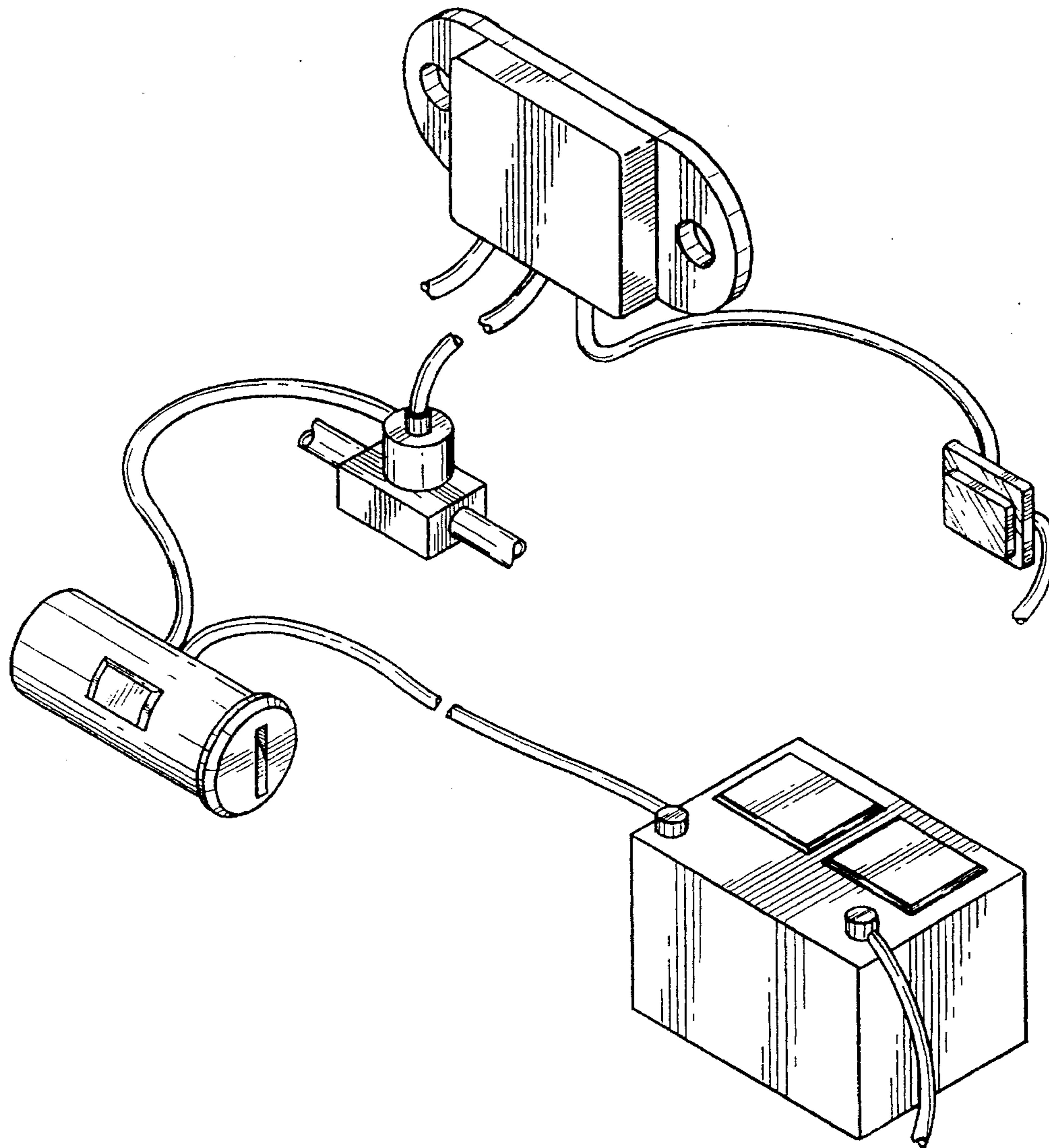
FIG. 1 is an exploded perspective view of the automotive
service reminder showing my new design, with the cords
broken away the indicate indeterminate length;
FIG. 2 is a front elevational view thereof;
FIG. 3 is a rear elevational view thereof;
FIG. 4 is a right end elevational view thereof;
FIG. 5 is a left end elevational view thereof;
FIG. 6 is a top plan view thereof; and,
FIG. 7 is a bottom plan view thereof.

[56] **References Cited**

U.S. PATENT DOCUMENTS

D. 316,054	4/1991	Jammaron	D10/104
D. 365,600	12/1995	Martin	D20/18
3,776,177	12/1973	Bryant, et al.	116/133
4,942,841	7/1990	Drucker, Jr.	116/317

1 Claim, 4 Drawing Sheets



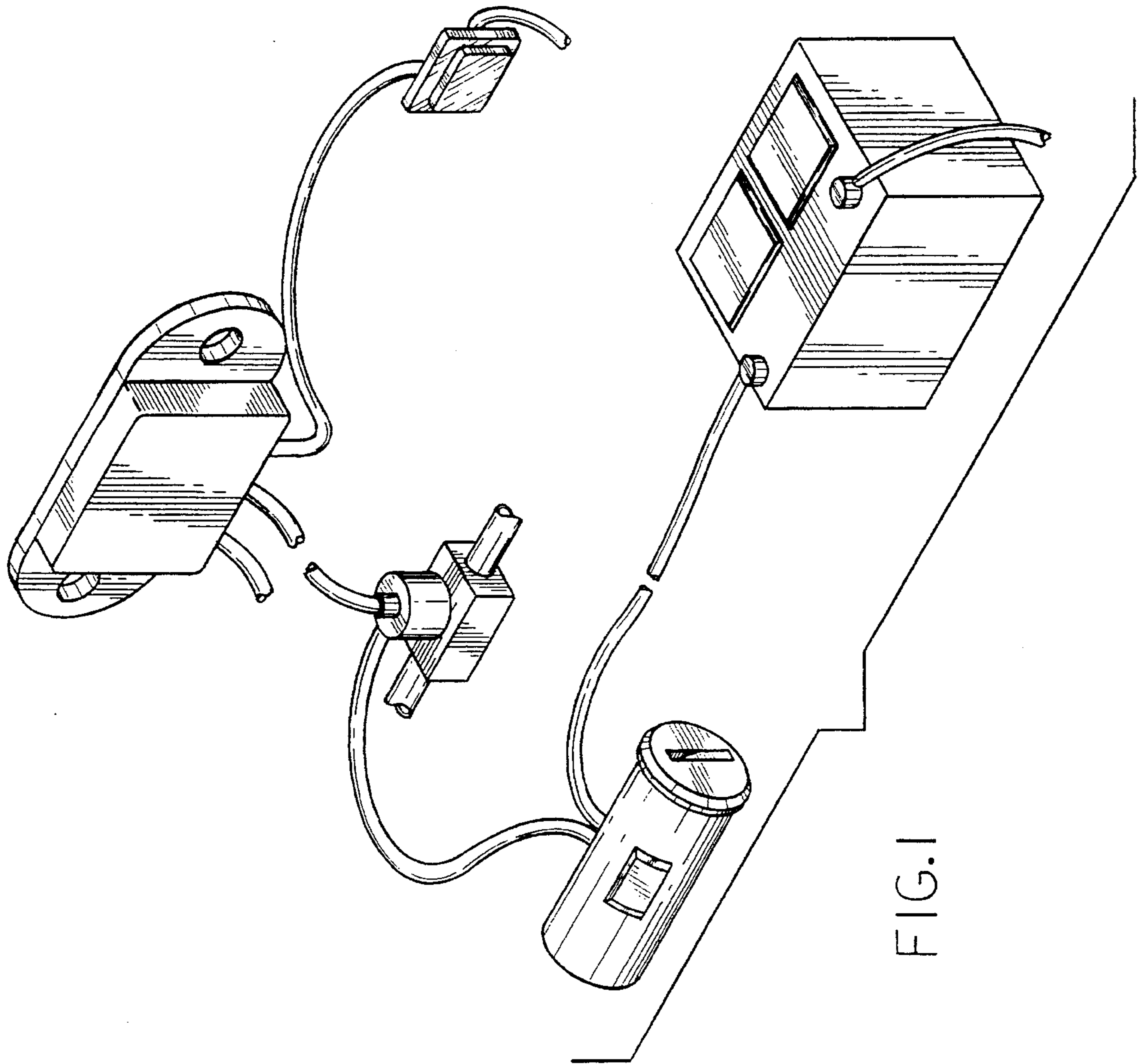


FIG. 1

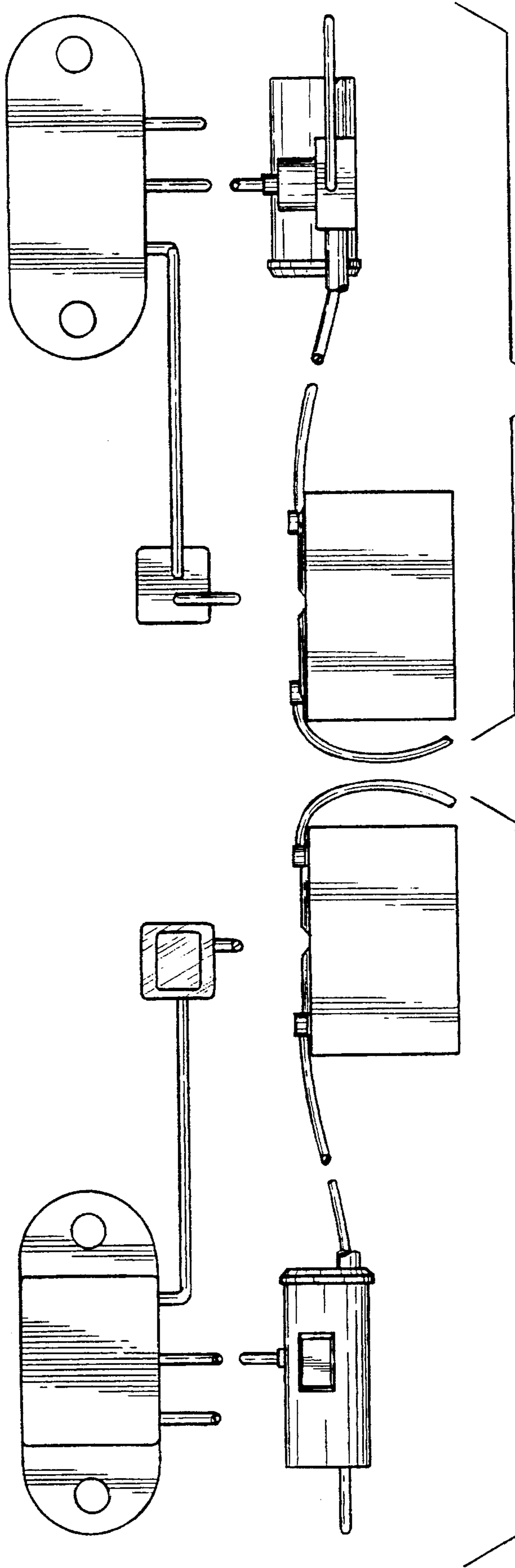


FIG. 3

FIG. 2

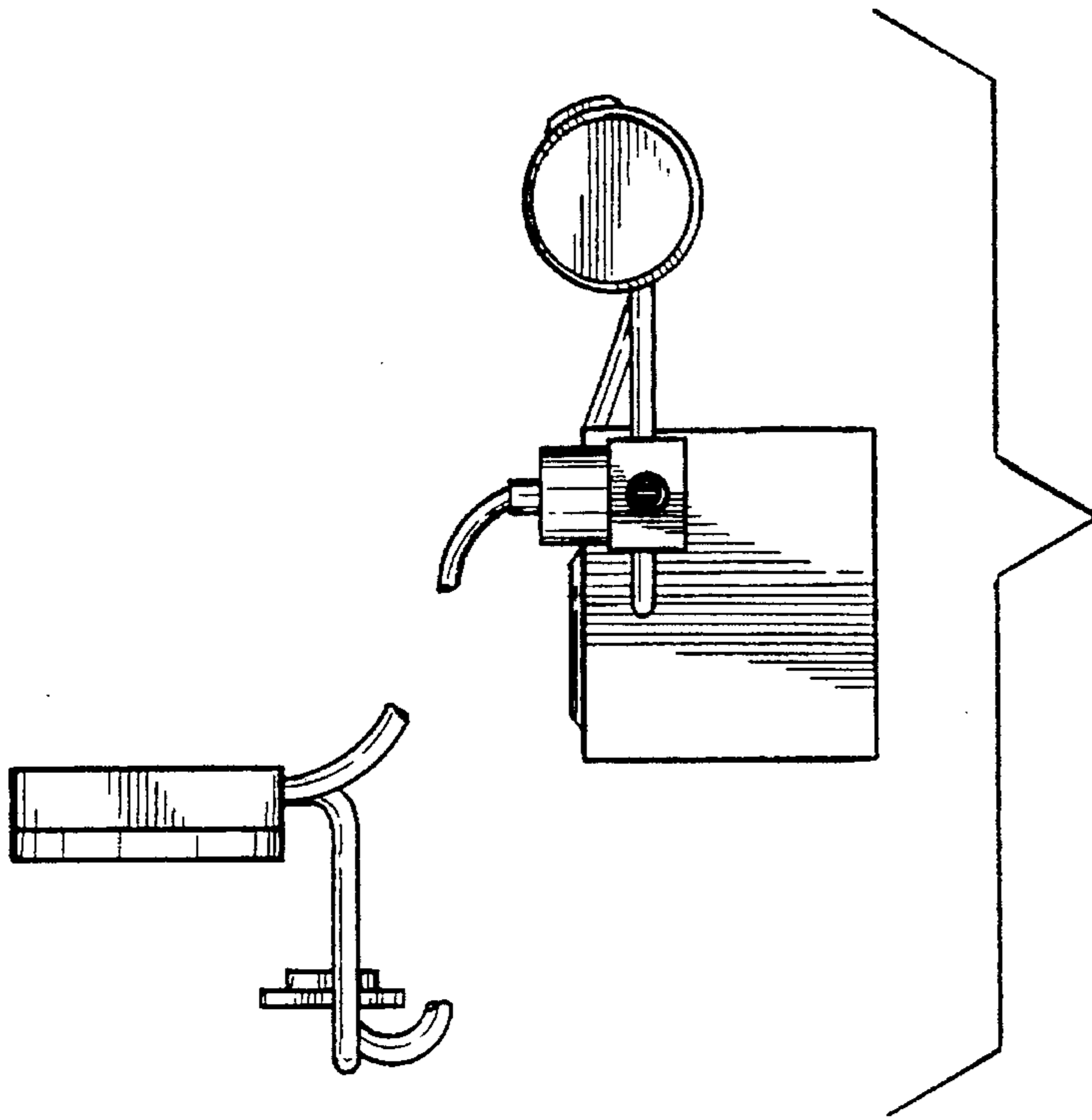


FIG. 5

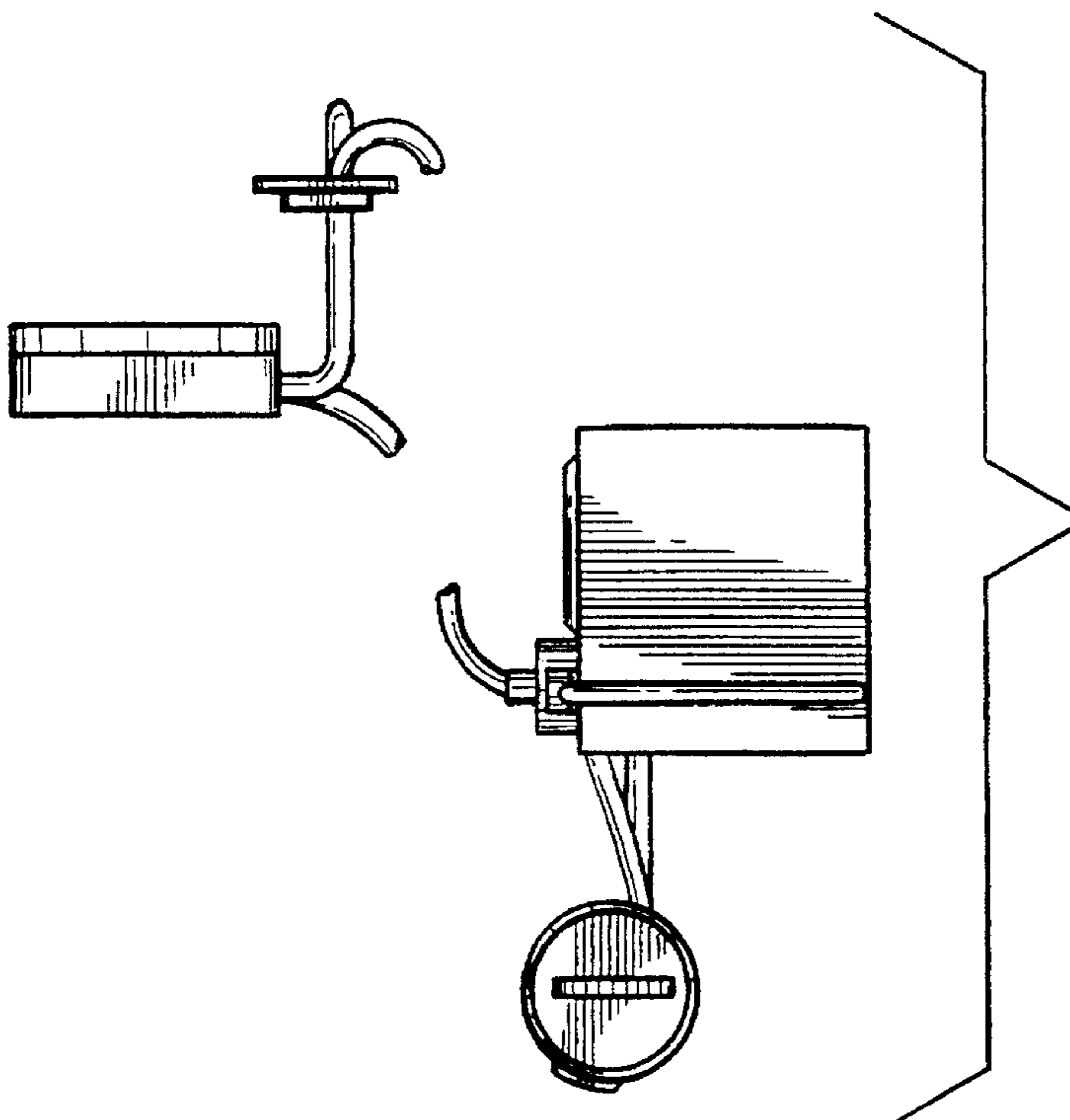


FIG. 4

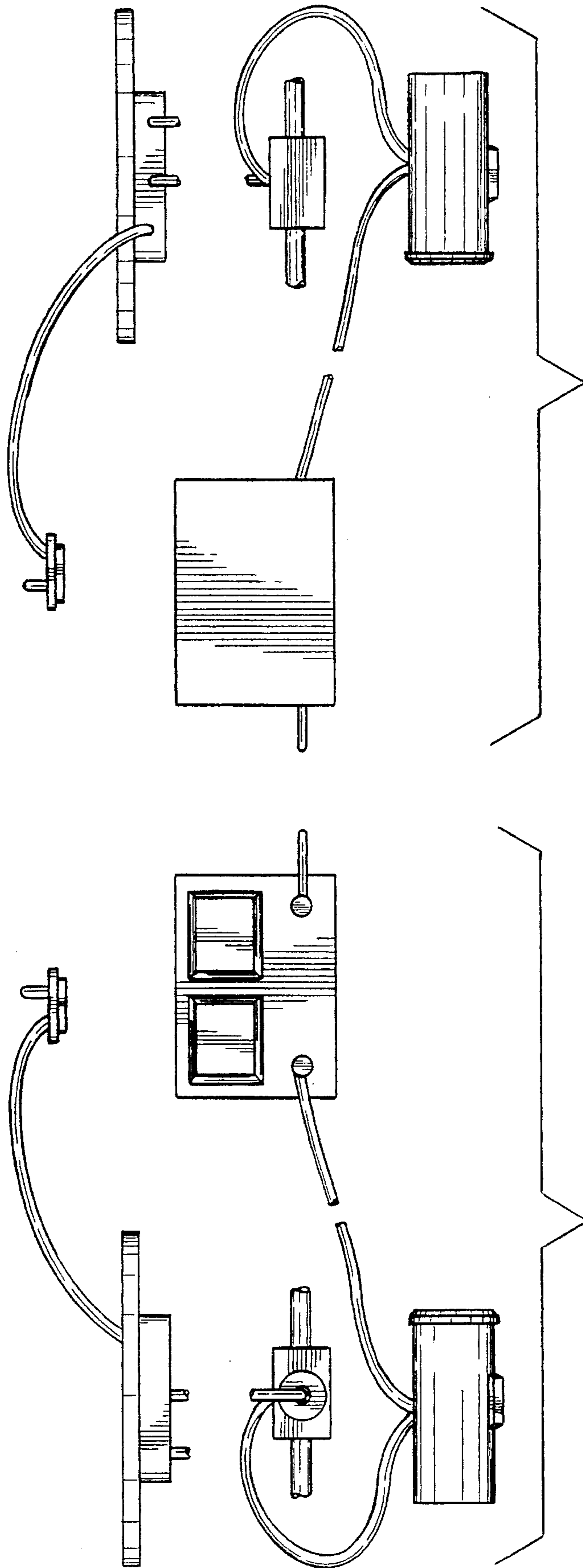


FIG. 7

FIG. 6