



US00D374184S

# United States Patent [19]

[11] Patent Number: **Des. 374,184**

Stephens et al.

[45] Date of Patent: **\*\*Oct. 1, 1996**

[54] **DC BIOPOTENTIAL MEASURING UNIT**

*Attorney, Agent, or Firm—Sixbey, Friedman, Leedom & Ferguson*

[75] Inventors: **John D. Stephens; Seth D. Nathanson**, both of Alpharetta, Ga.; **LeRoy J. LaCelle**, New Castle, Wash.; **Ted F. Pierson; Laura Welland**, both of Seattle, Wash.

### [57] CLAIM

The ornamental design for a DC biopotential measuring unit, as shown and described.

[73] Assignee: **Biofield Corp.**, Roswell, Ga.

### DESCRIPTION

[\*\*] Term: **14 Years**

FIG. 1 is a perspective view of the DC biopotential measuring unit showing our new design;

[21] Appl. No.: **41,326**

FIG. 2 is a top plan view of the DC biopotential measuring unit of FIG. 1;

[22] Filed: **Jun. 7, 1995**

FIG. 3 is a bottom plan view of the DC biopotential measuring unit of FIG. 1;

[52] U.S. Cl. .... **D10/81; D10/75; D14/100**

FIG. 4 is a front elevational view of the DC biopotential measuring unit of FIG. 1;

[58] Field of Search ..... **D10/75, 81; D14/100, D14/106; D24/169,165, 185, 186; 128/640, 660.07, 661, 733, 734, 745**

FIG. 5 is a rear elevational view of the DC biopotential measuring unit of FIG. 1;

### [56] References Cited

#### U.S. PATENT DOCUMENTS

- D. 288,814 3/1987 Takahashi et al. .... D10/75 X
- D. 318,811 8/1991 Caruso et al. .... D10/81 x
- D. 330,048 10/1992 Cheung et al. .... D14/106 X
- D. 338,271 8/1993 Yoshikawa et al. .... D24/186 X

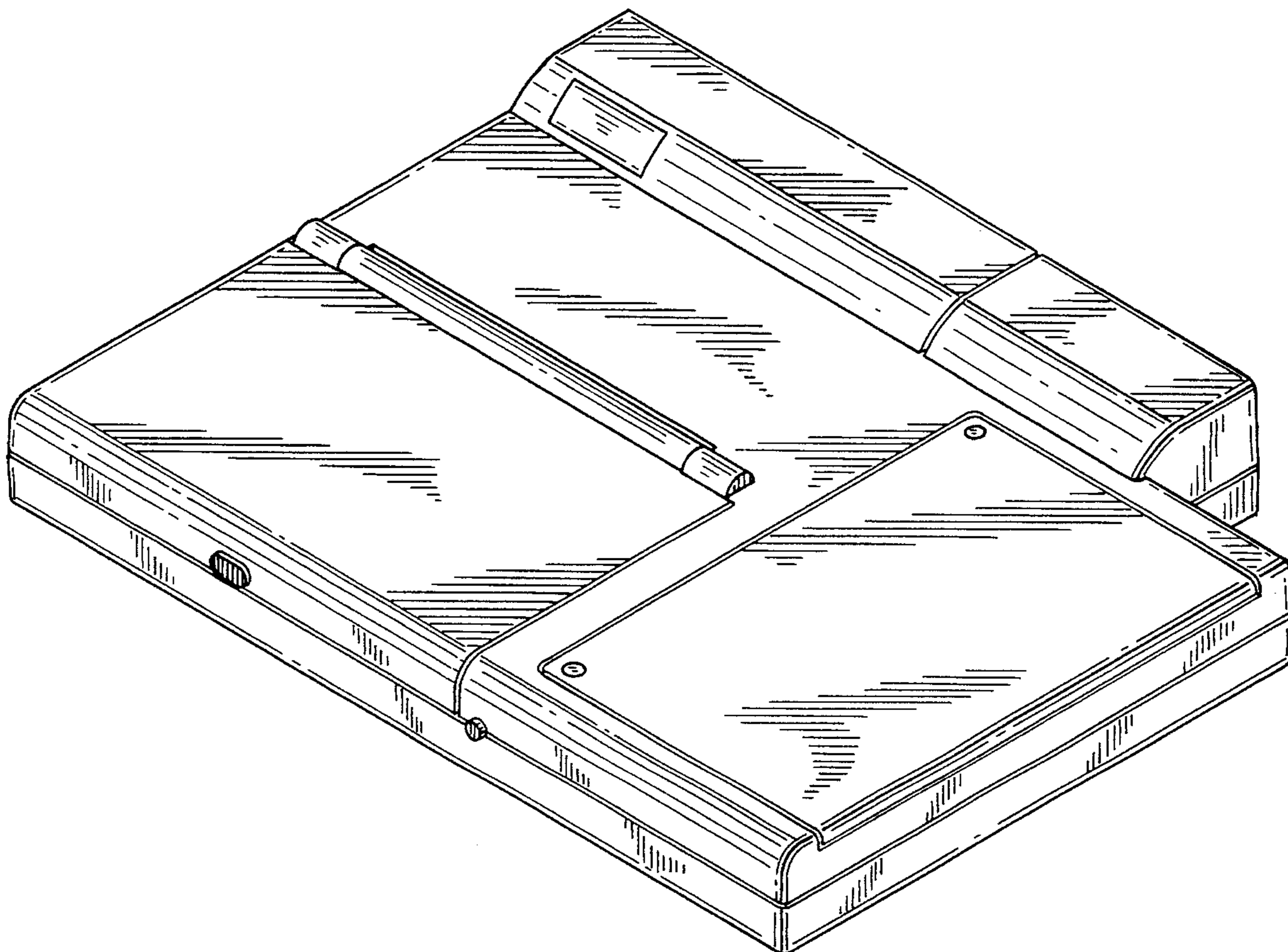
FIG. 6 is a right side elevational view of the DC biopotential measuring unit of FIG. 1;

FIG. 7 is a left side elevational view of the DC biopotential measuring unit of FIG. 1; and,

FIG. 8 is a perspective view of the DC biopotential measuring unit of FIG. 1.

*Primary Examiner—Antonine Duval Davis*

**1 Claim, 4 Drawing Sheets**



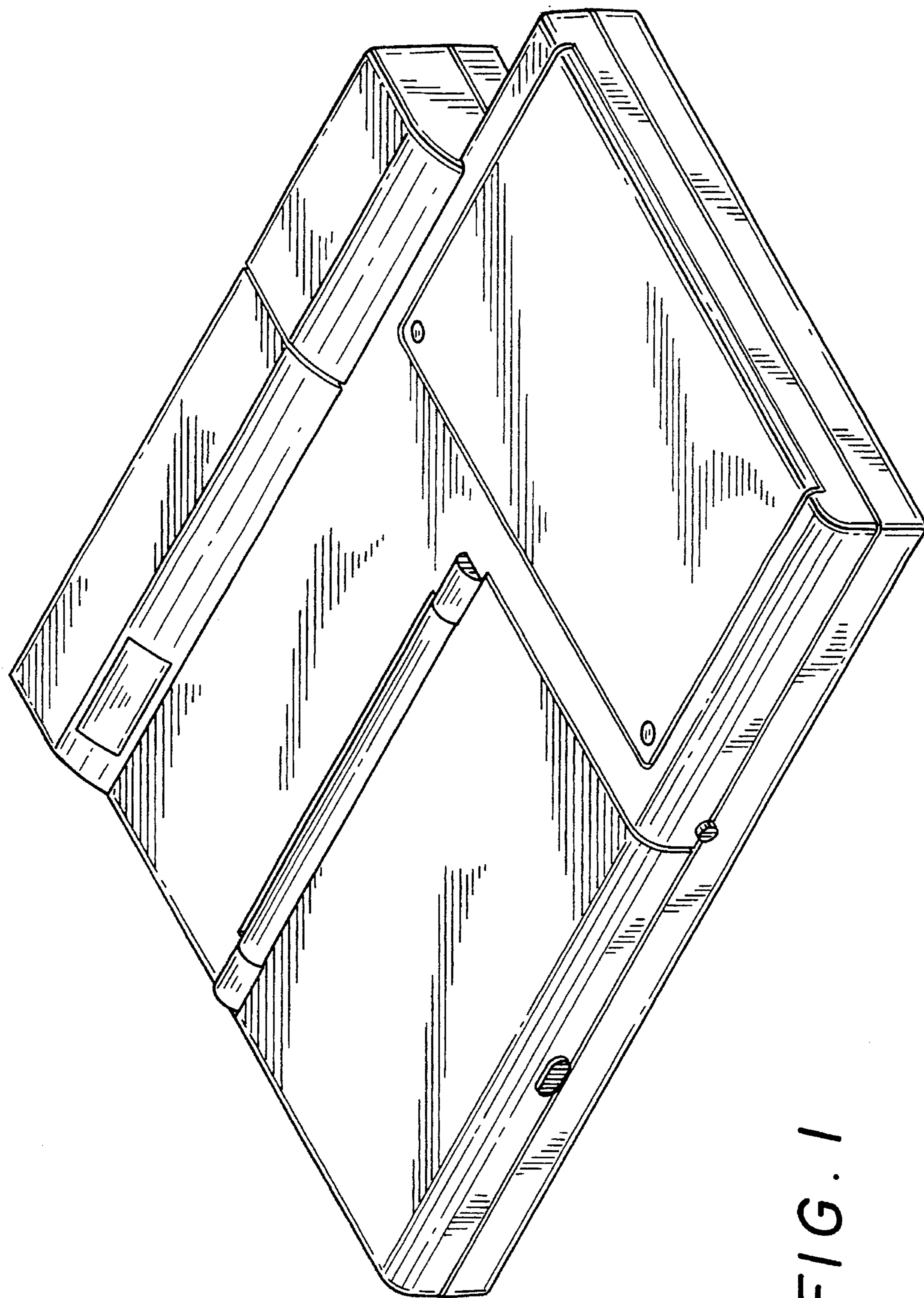


FIG. 1

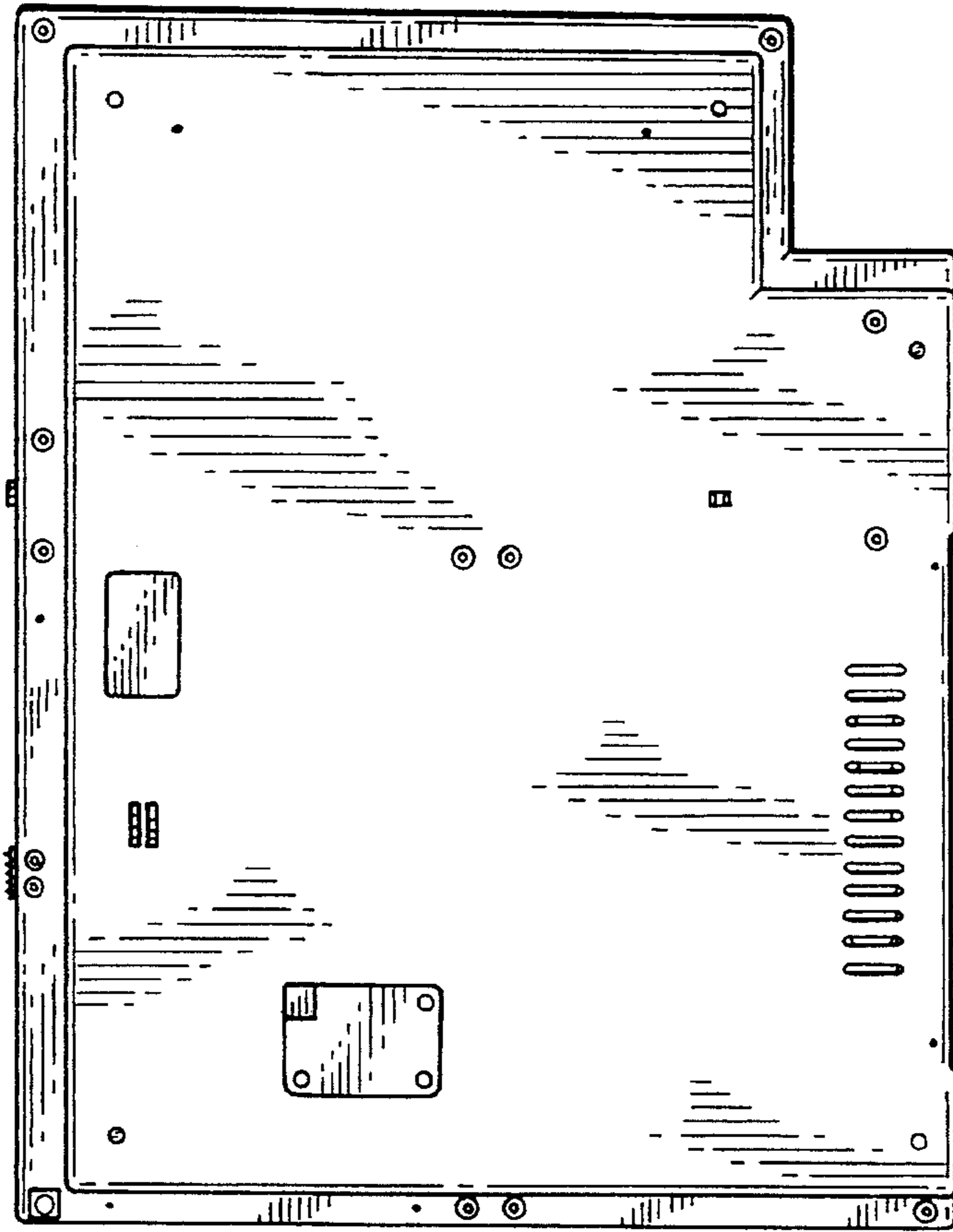


FIG. 3

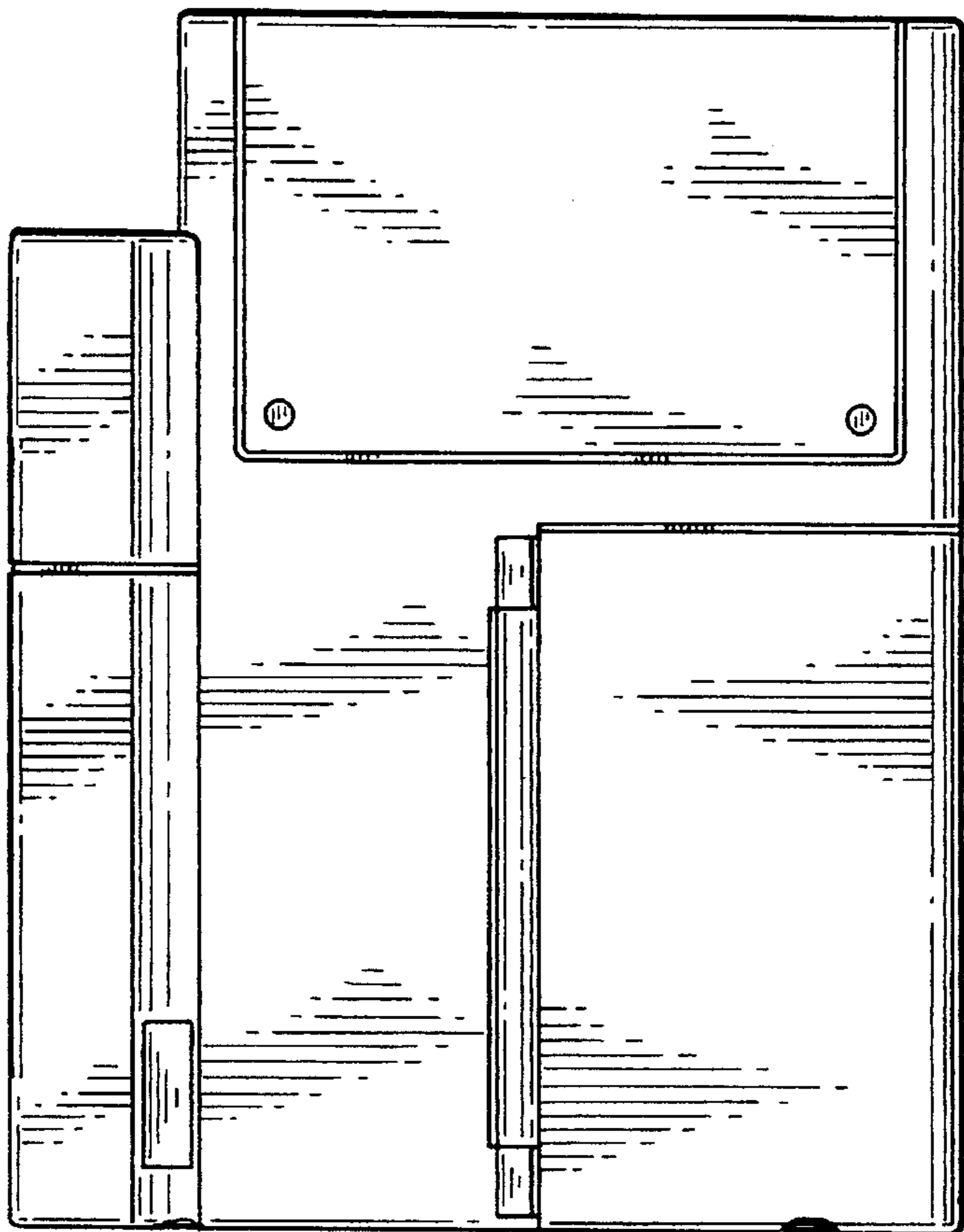


FIG. 2

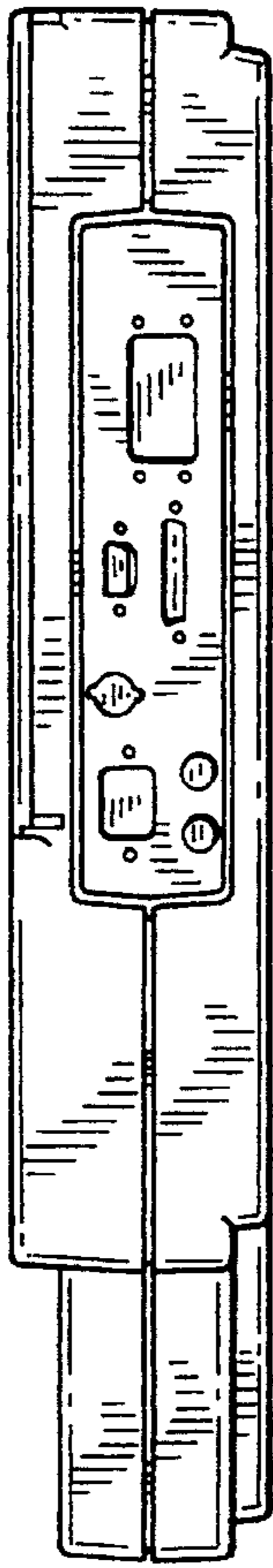


FIG. 5

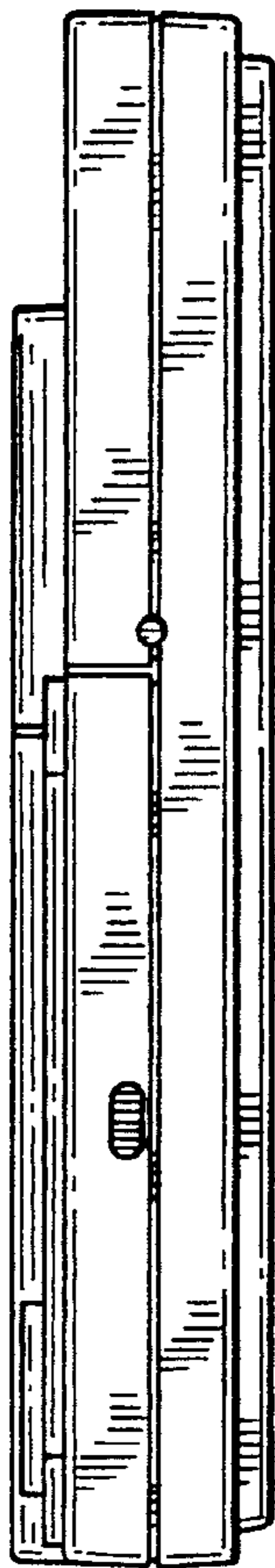


FIG. 4

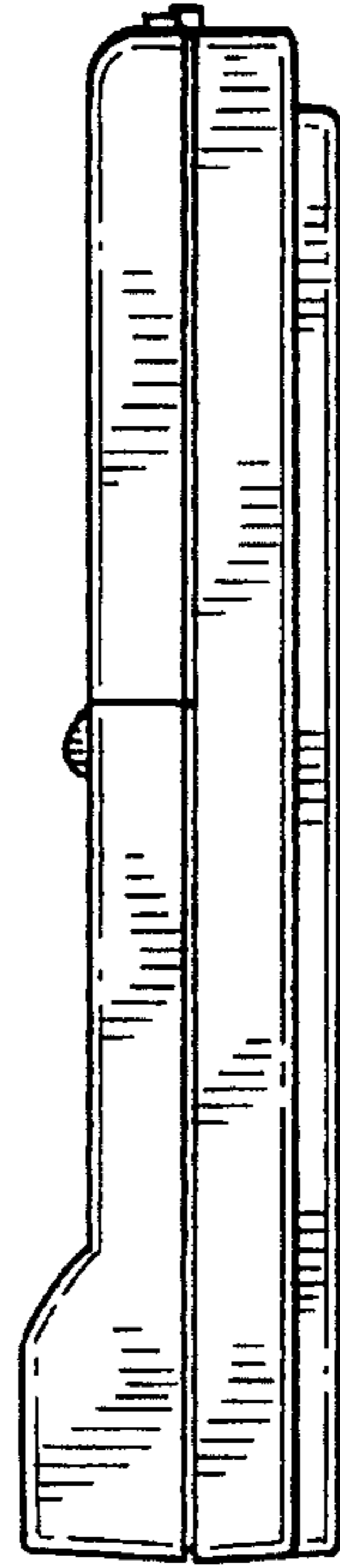


FIG. 7

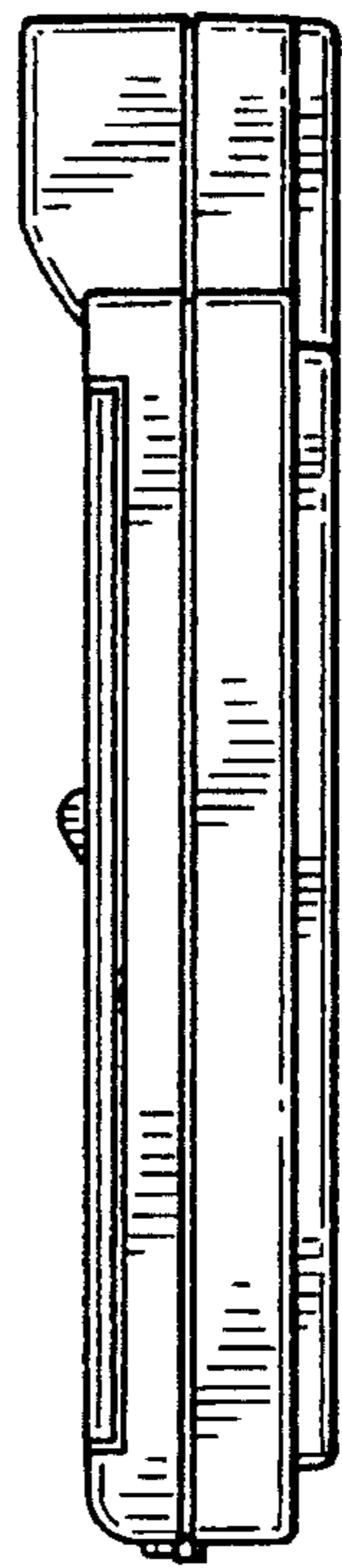


FIG. 6

FIG. 8

