



US00D374183S

# United States Patent [19]

Skinner et al.

[11] Patent Number: **Des. 374,183**

[45] Date of Patent: **\*\*Oct. 1, 1996**

[54] **VEHICLE DIAGNOSTIC TOOL**

[75] Inventors: **David N. Skinner**, Redwood Shores; **Hossein Arjomand**, San Jose; **Richard C. Bonito**, Santa Clara; **Gilbert Lemke**, Los Gatos; **John M. Santacroce**, San Jose; **Thomas C. Mandle**, Los Altos Hills; **Daniel R. Bergmen**, Manteca, all of Calif.

[73] Assignee: **Hewlett-Packard Company**, Palo Alto, Calif.

[\*\*] Term: **14 Years**

[21] Appl. No.: **18,084**

[22] Filed: **Jan. 28, 1994**

[52] U.S. Cl. .... **D10/78**

[58] Field of Search ..... D10/46, 78; 73/116, 73/117.2; 174/52.1; 200/DIG. 2; 235/146; 294/142; 324/121 R, 379, 384, 503, 524, 542; 340/439, 653, 660; 346/33 R; 360/6, 53; 364/431.04, 424.02, 431.01, 431.11, 431.03, 550.01; 379/68, 69, 96

[56] **References Cited**

**U.S. PATENT DOCUMENTS**

D. 316,825 5/1991 Becker ..... D10/78  
D. 331,711 12/1992 Cervas ..... D10/78

D. 339,537 9/1993 Willnauer et al. .... D10/78  
4,113,980 9/1978 Bell ..... 346/33 R X  
5,050,080 9/1991 Abe ..... 73/117.2 X

**OTHER PUBLICATIONS**

Tech 1, "Cartridges and Accessories"; Sep. 1989.  
Snap-on, "MT2500-Series Scanner"; Mar. 1992, Form No. SV162B.  
Fluke and Philips, "Scopemeter" Copyright 1991, John Fluke Mfg. Co., Inc.

*Primary Examiner*—Alan P. Douglas  
*Assistant Examiner*—Antoine D. Davis  
*Attorney, Agent, or Firm*—William C. Milks, III

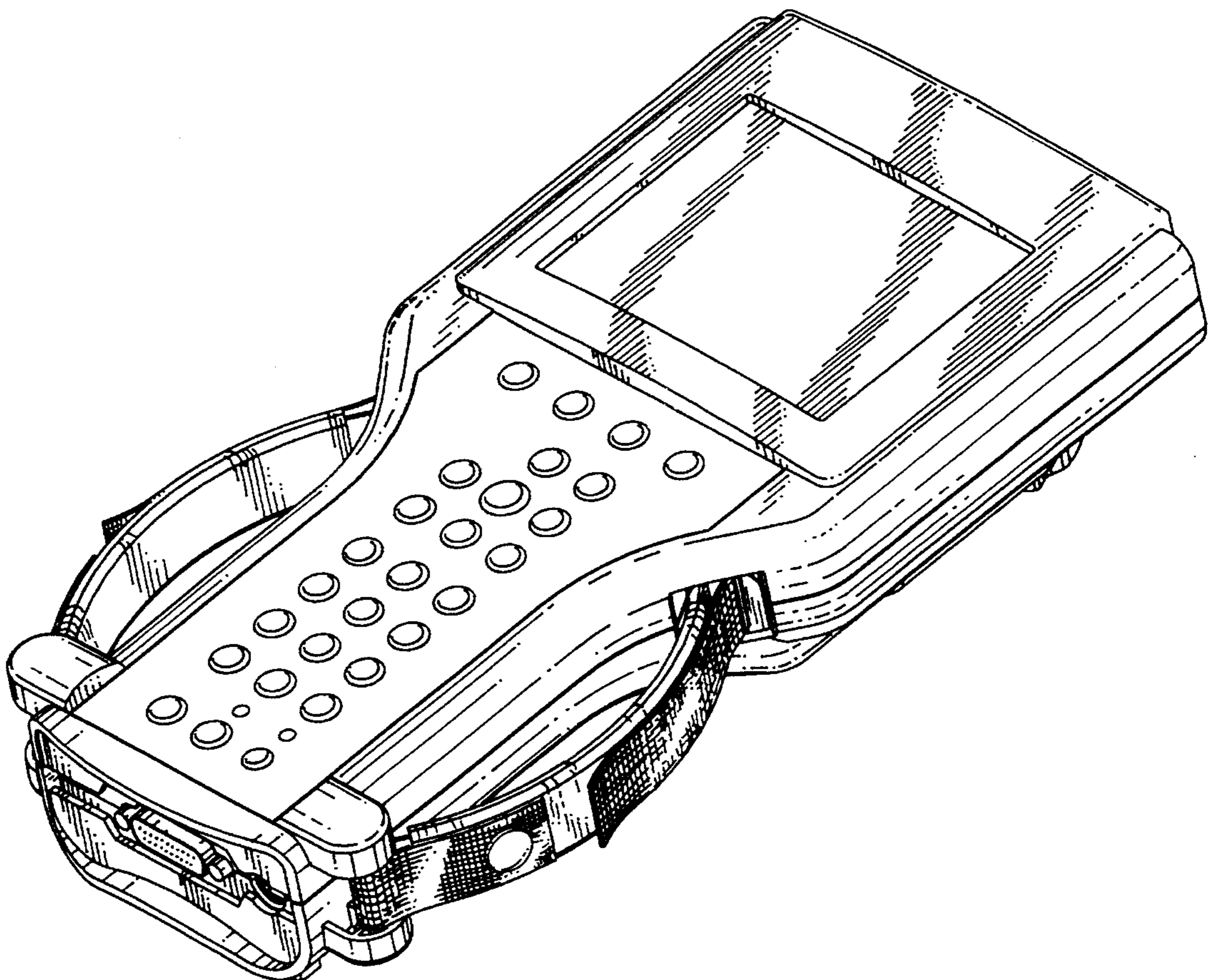
[57] **CLAIM**

The ornamental design for a vehicle diagnostic tool, as shown and described.

**DESCRIPTION**

FIG. 1 is a front perspective view of a vehicle diagnostic tool showing our new design;  
FIG. 2 is a back perspective view thereof;  
FIG. 3 is a bottom view thereof;  
FIG. 4 is a top view thereof;  
FIG. 5 is a right side view thereof;  
FIG. 6 is a left side view thereof;  
FIG. 7 is a front view thereof; and,  
FIG. 8 is a back view thereof.

**1 Claim, 8 Drawing Sheets**



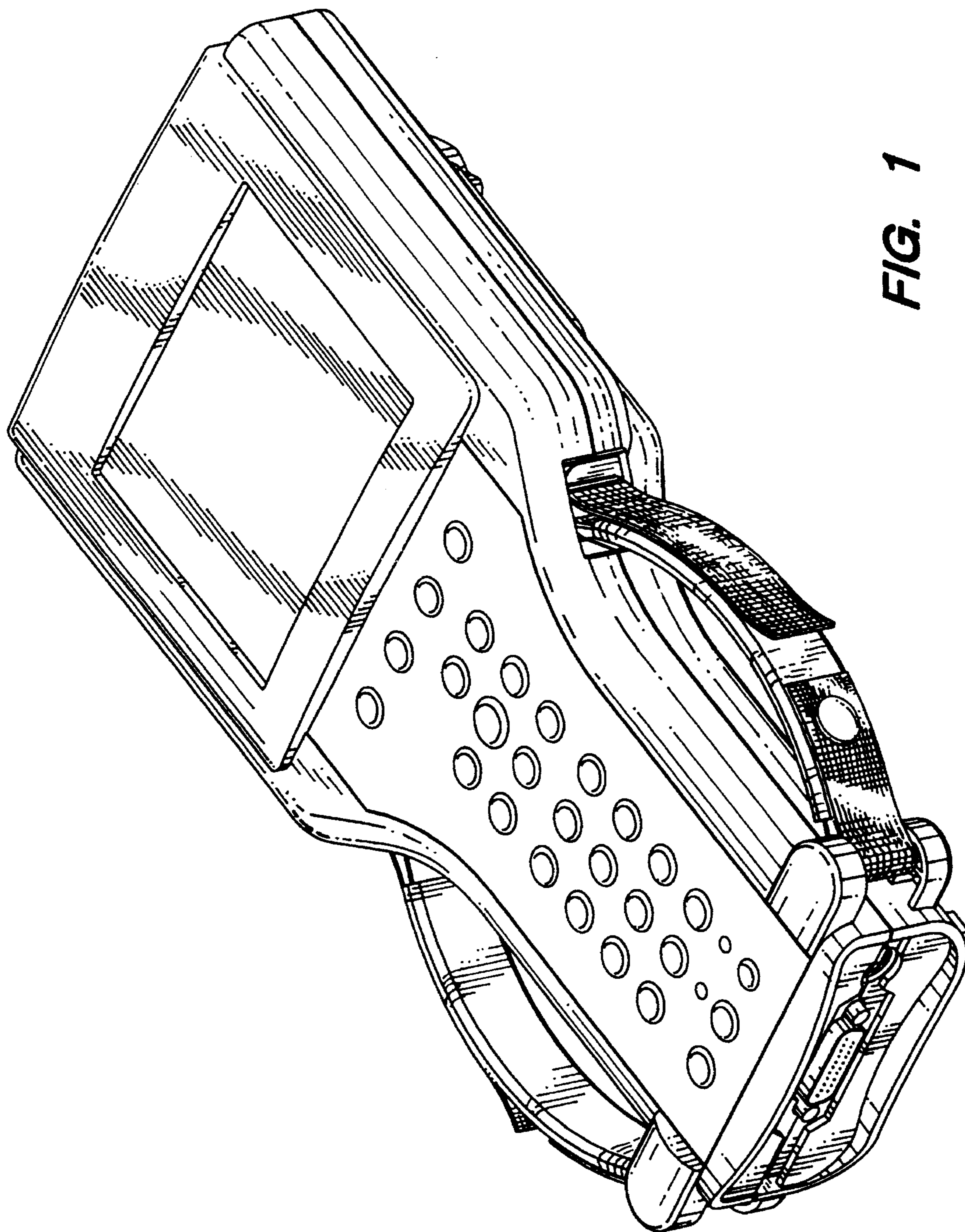


FIG. 1

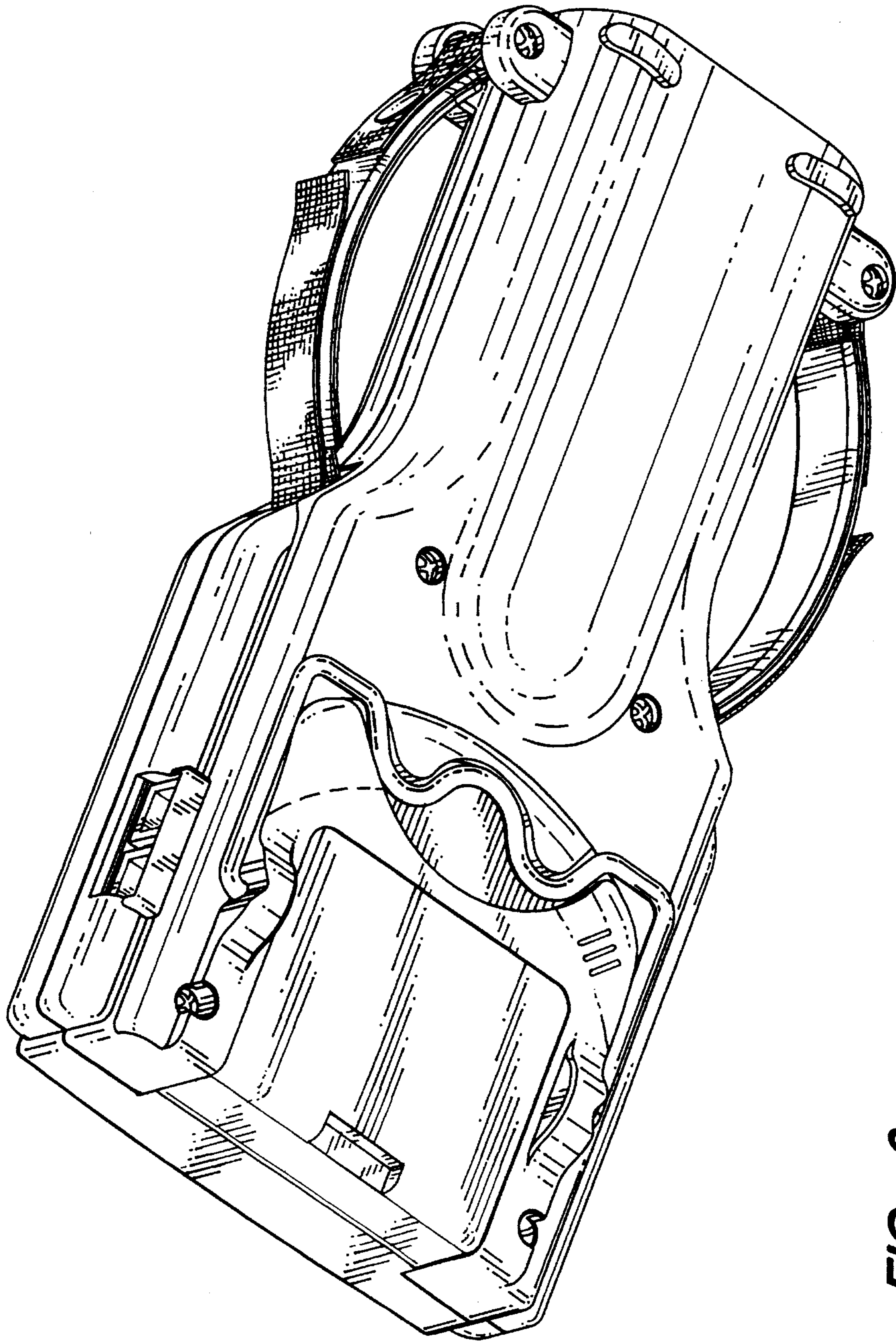
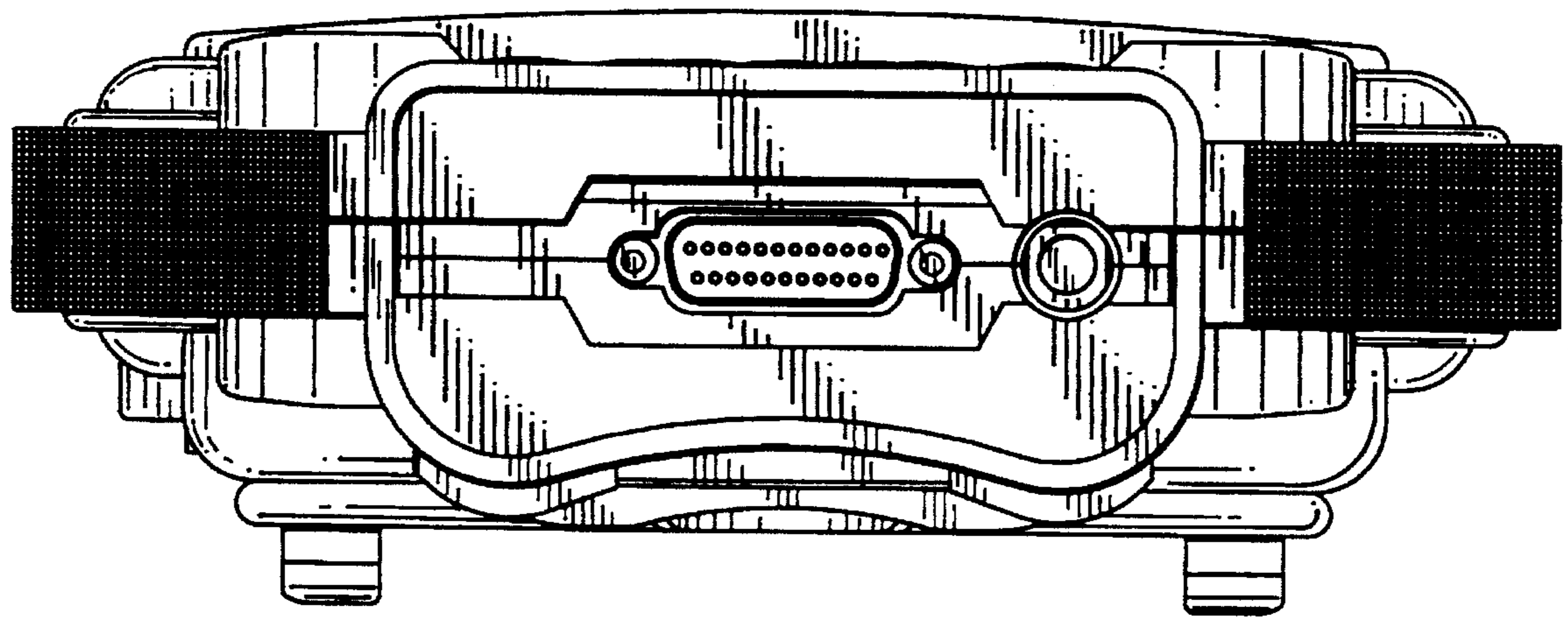
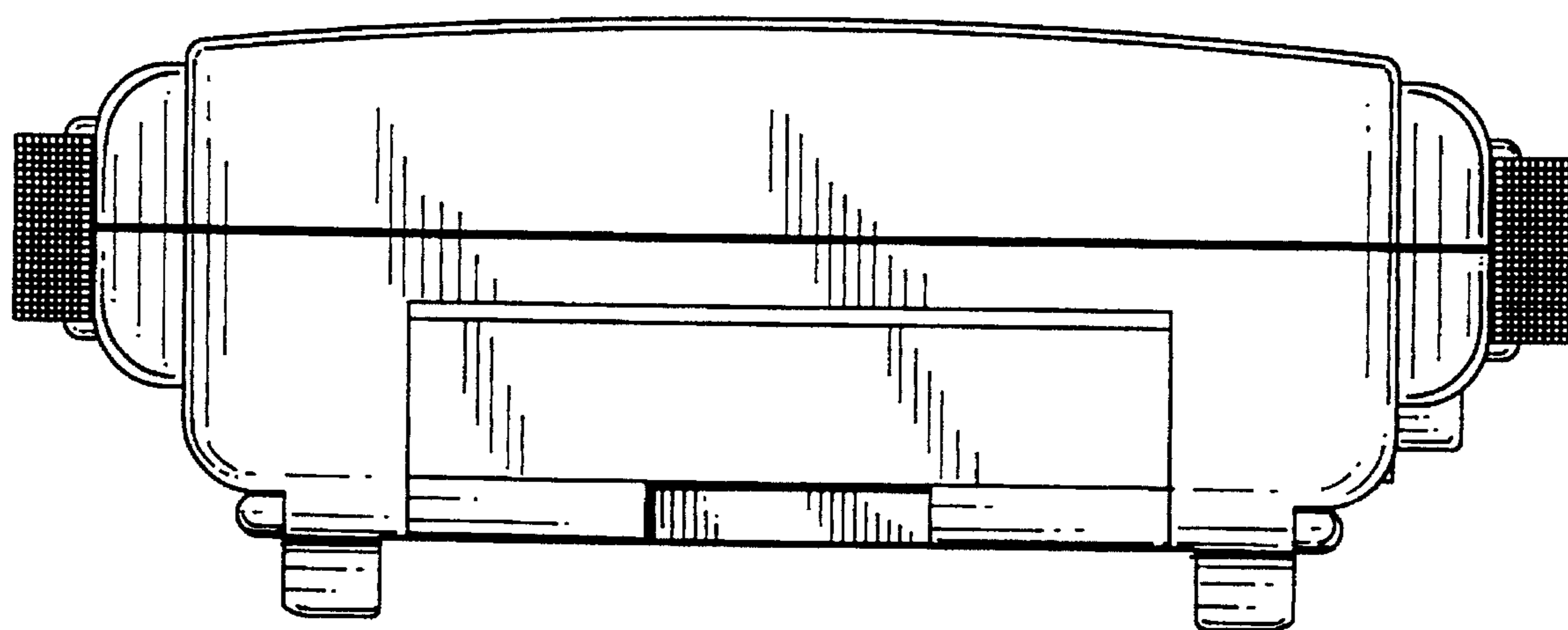


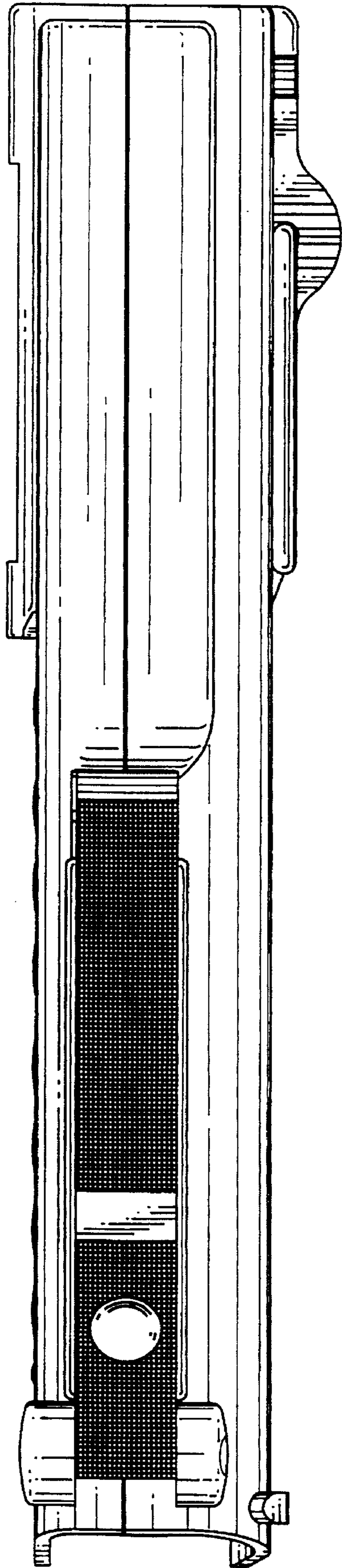
FIG. 2



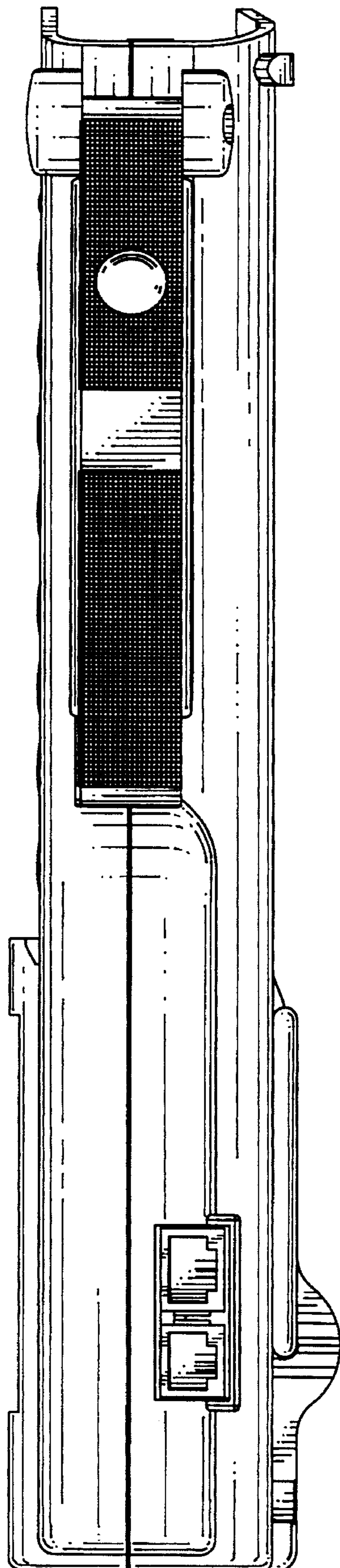
**FIG. 3**



**FIG. 4**



**FIG. 5**



**FIG. 6**

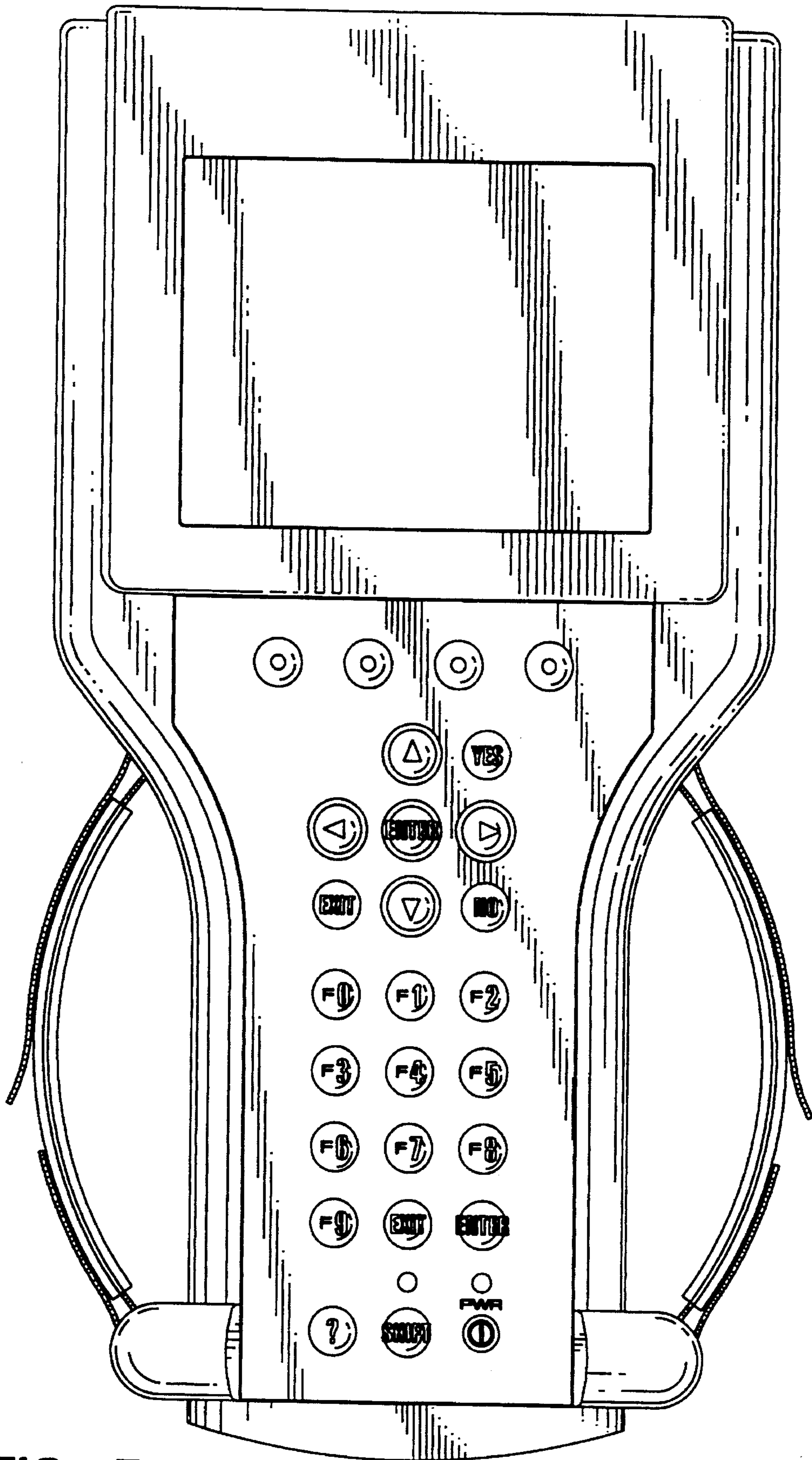
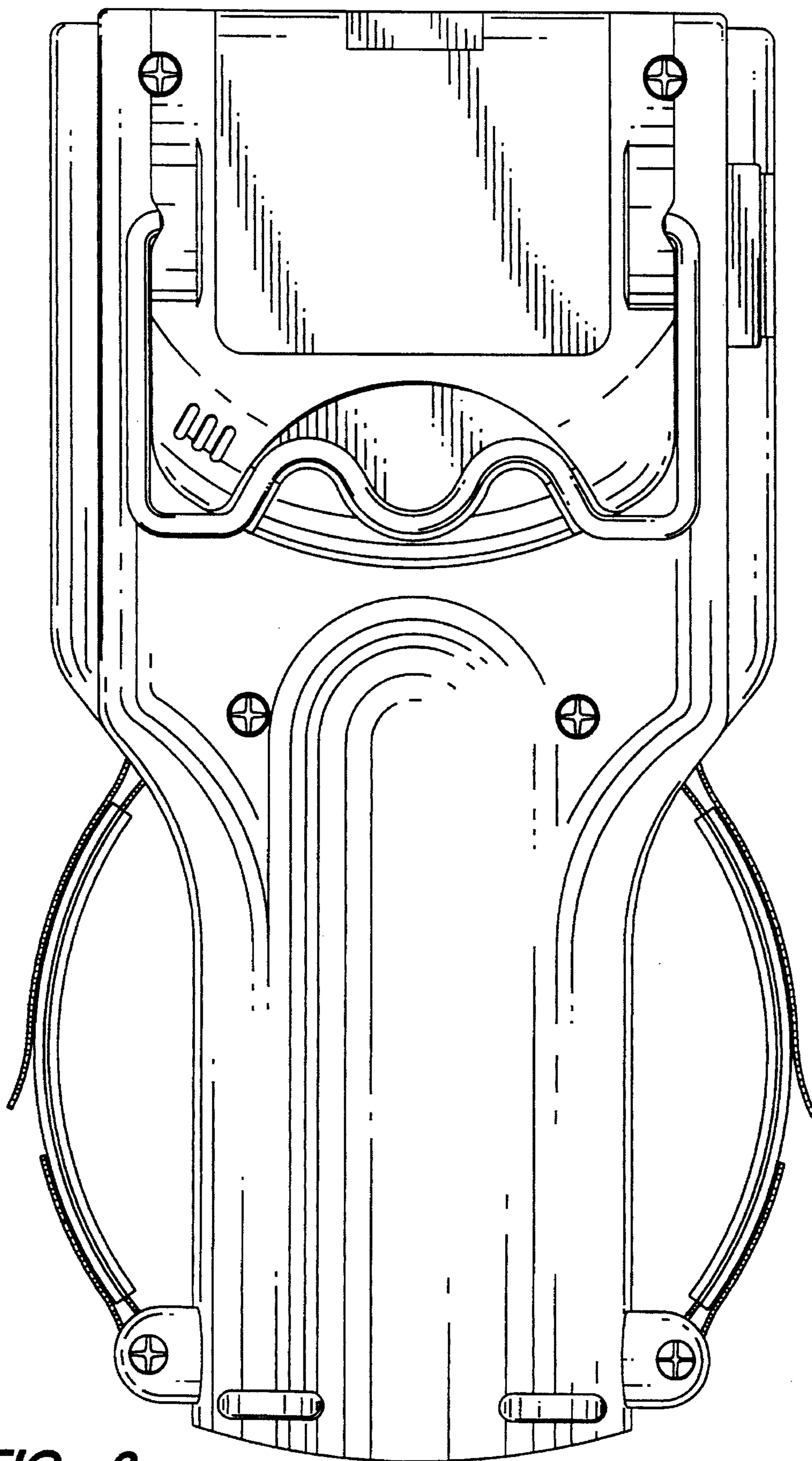


FIG. 7





**FIG. 8**