



US00D374178S

United States Patent [19]

[11] Patent Number: **Des. 374,178**

Valls et al.

[45] Date of Patent: ****Oct. 1, 1996**

[54] **PAINT CONTAINER**

[75] Inventors: **William H. Valls**, Harwinton; **Edward H. Kilduff**, Canton; **David L. Dombrowski**, Essex, all of Conn.

[73] Assignee: **Fiskars Inc.**, Madison, Wis.

[**] Term: **14 Years**

[21] Appl. No.: **17,597**

[22] Filed: **Jan. 18, 1994**

[52] U.S. Cl. **D9/523**; D9/522; D9/564

[58] Field of Search D9/523, 564, 522, D9/452, 453, 341, 347; 215/1 R, 1 C, 10; 220/23.4

[56] **References Cited**

U.S. PATENT DOCUMENTS

4,513,865	4/1985	Melzi et al.	215/10 X
4,656,840	4/1987	Loofbourrow et al.	215/10 X

Primary Examiner—Lucy Lieberman
Attorney, Agent, or Firm—Foley & Lardner

[57] **CLAIM**

The ornamental design for a paint container, as shown and described.

DESCRIPTION

FIG. 1 is a perspective view of a paint container showing our new design;

FIG. 2 is a left side elevational view of the paint container shown in FIG. 1;

FIG. 3 is a top plan view of the paint container shown in FIG. 1;

FIG. 4 is a right side elevational view of the paint container shown in FIG. 1;

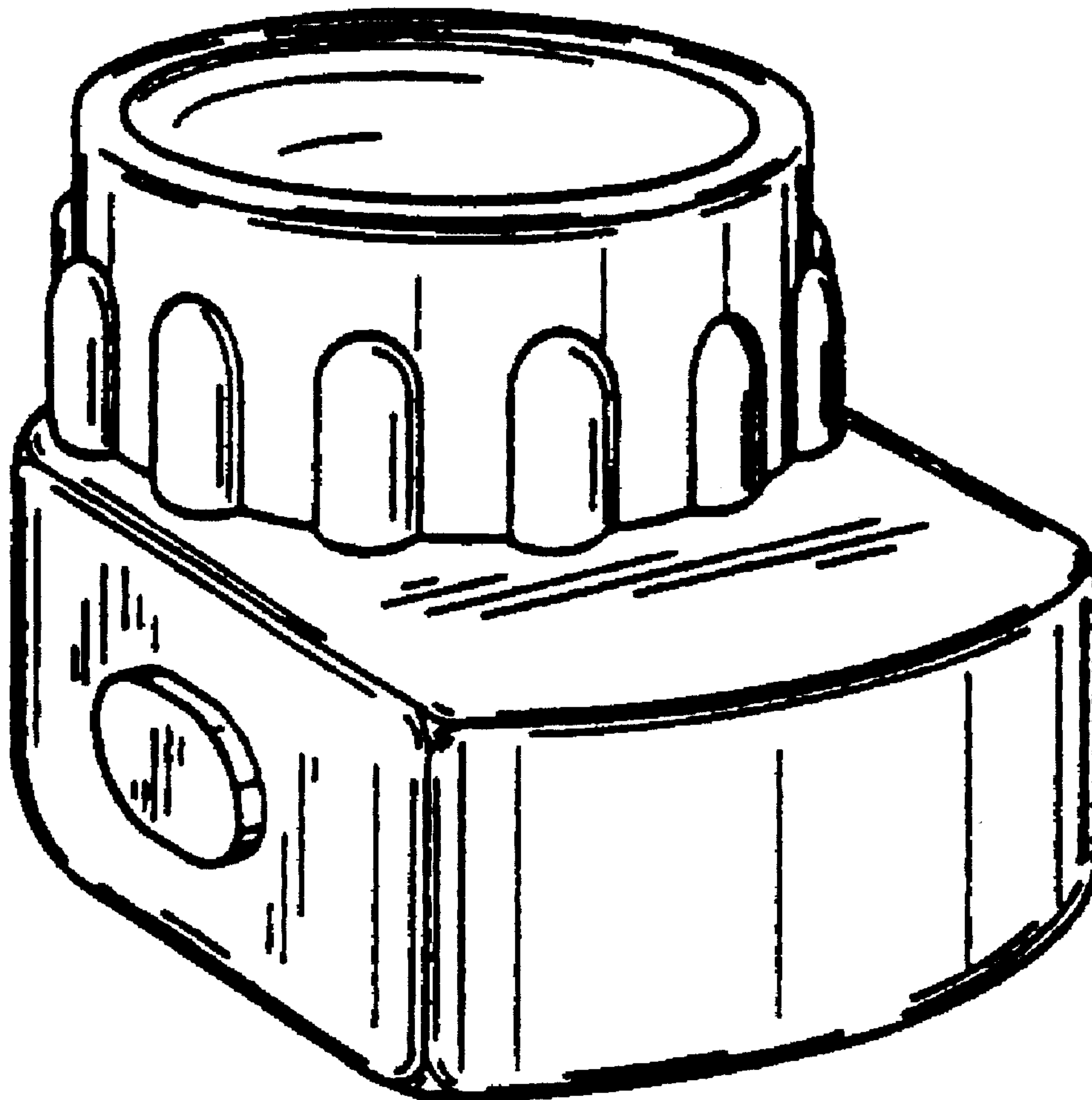
FIG. 5 is a bottom plan view of the paint container shown in FIG. 1;

FIG. 6 is a front elevational view of the paint container shown in FIG. 2; and,

FIG. 7 is a rear elevational view of the paint container shown in FIG. 1.

FIG. 8 is an enlarged perspective view of the right side of the paint container shown in FIG. 1.

1 Claim, 2 Drawing Sheets



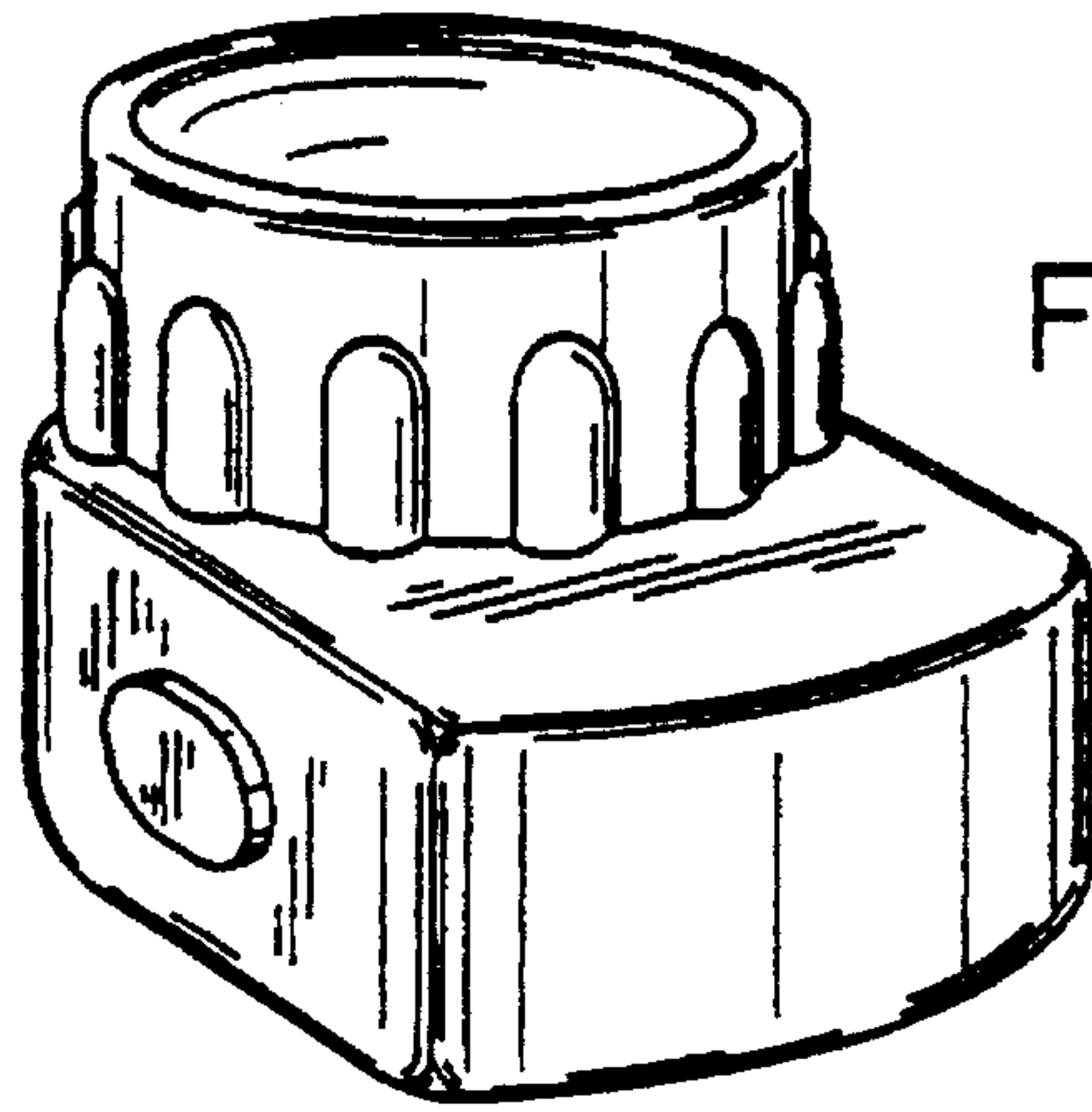


FIG. 1

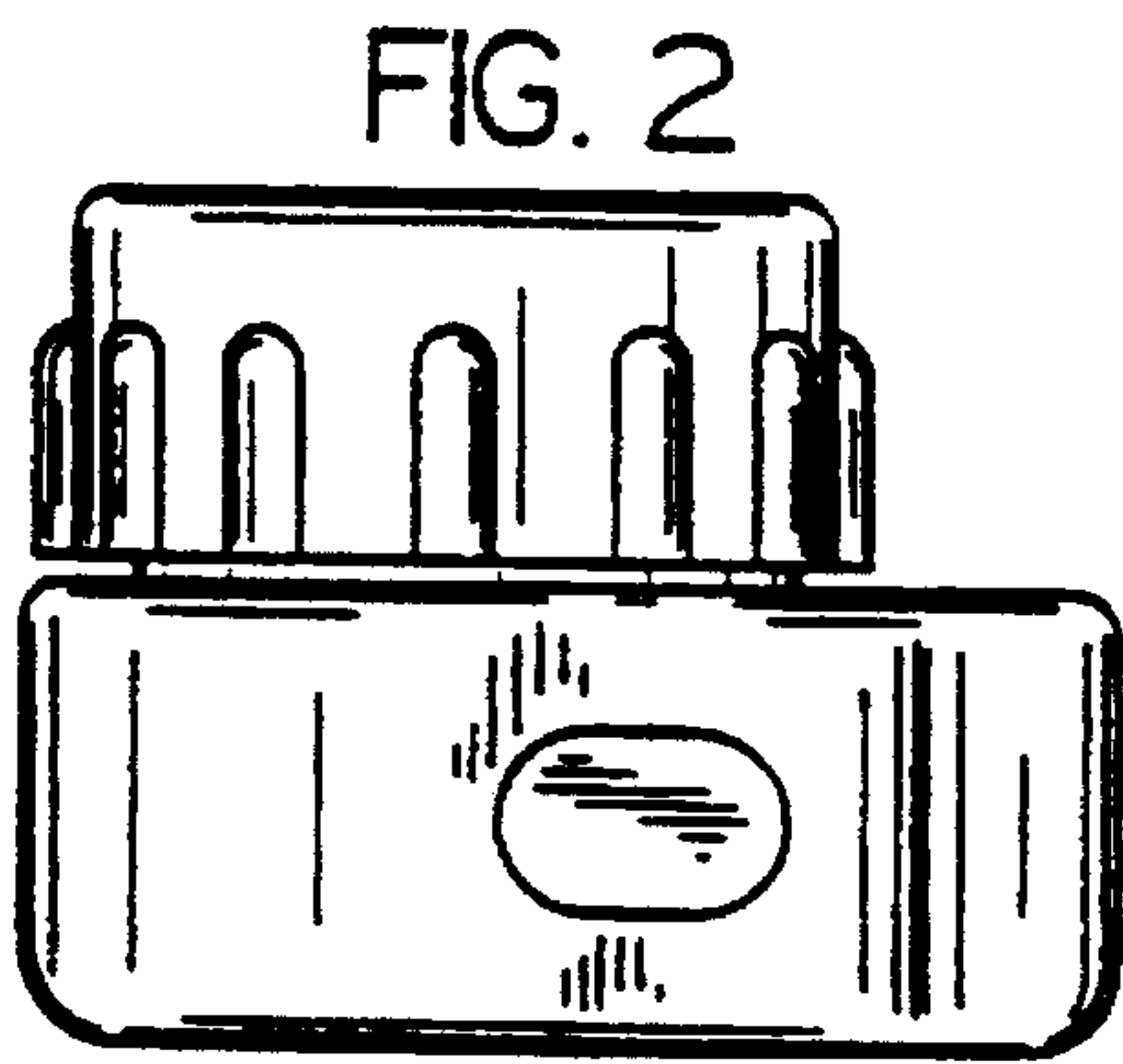


FIG. 2

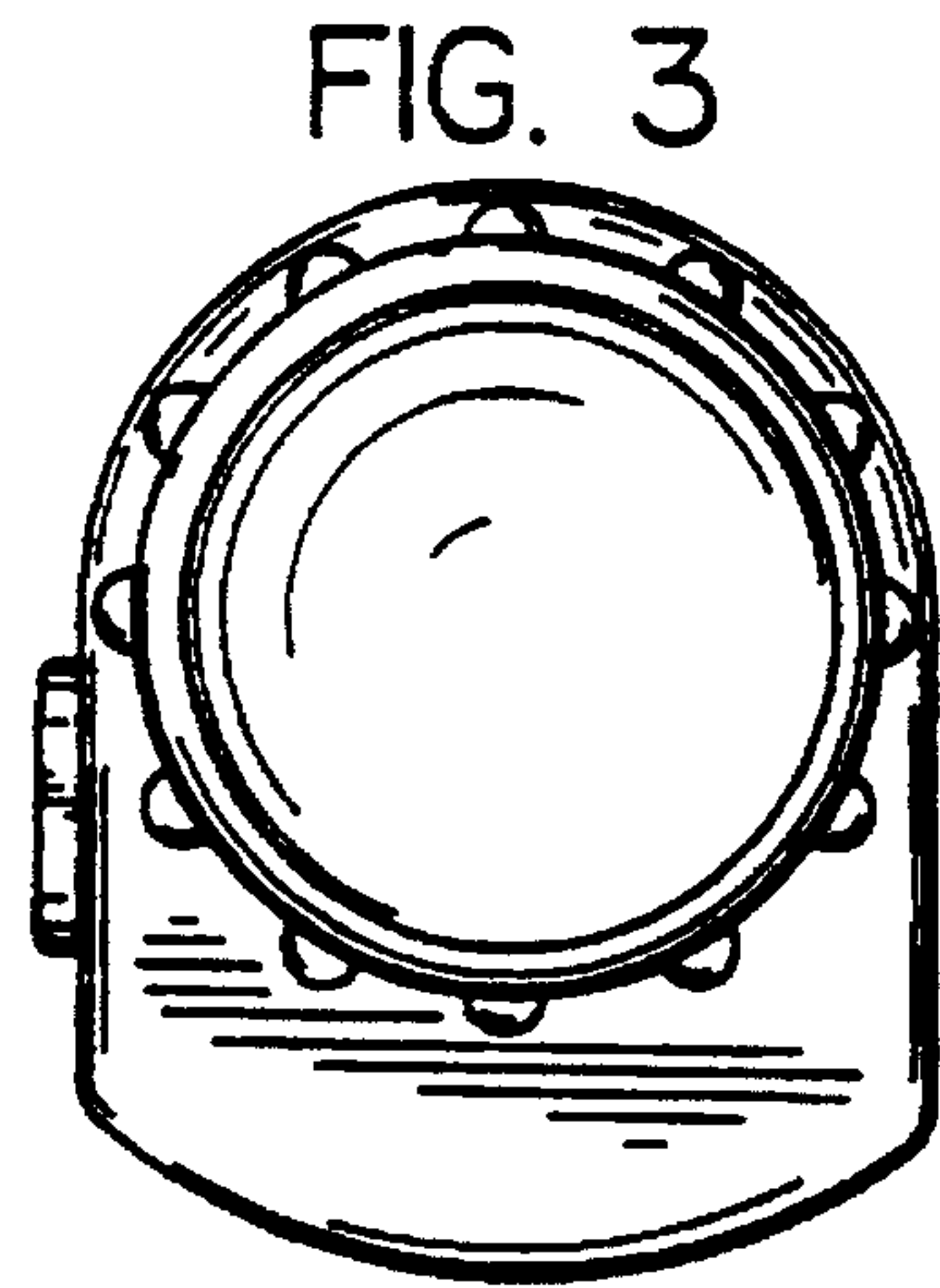


FIG. 3

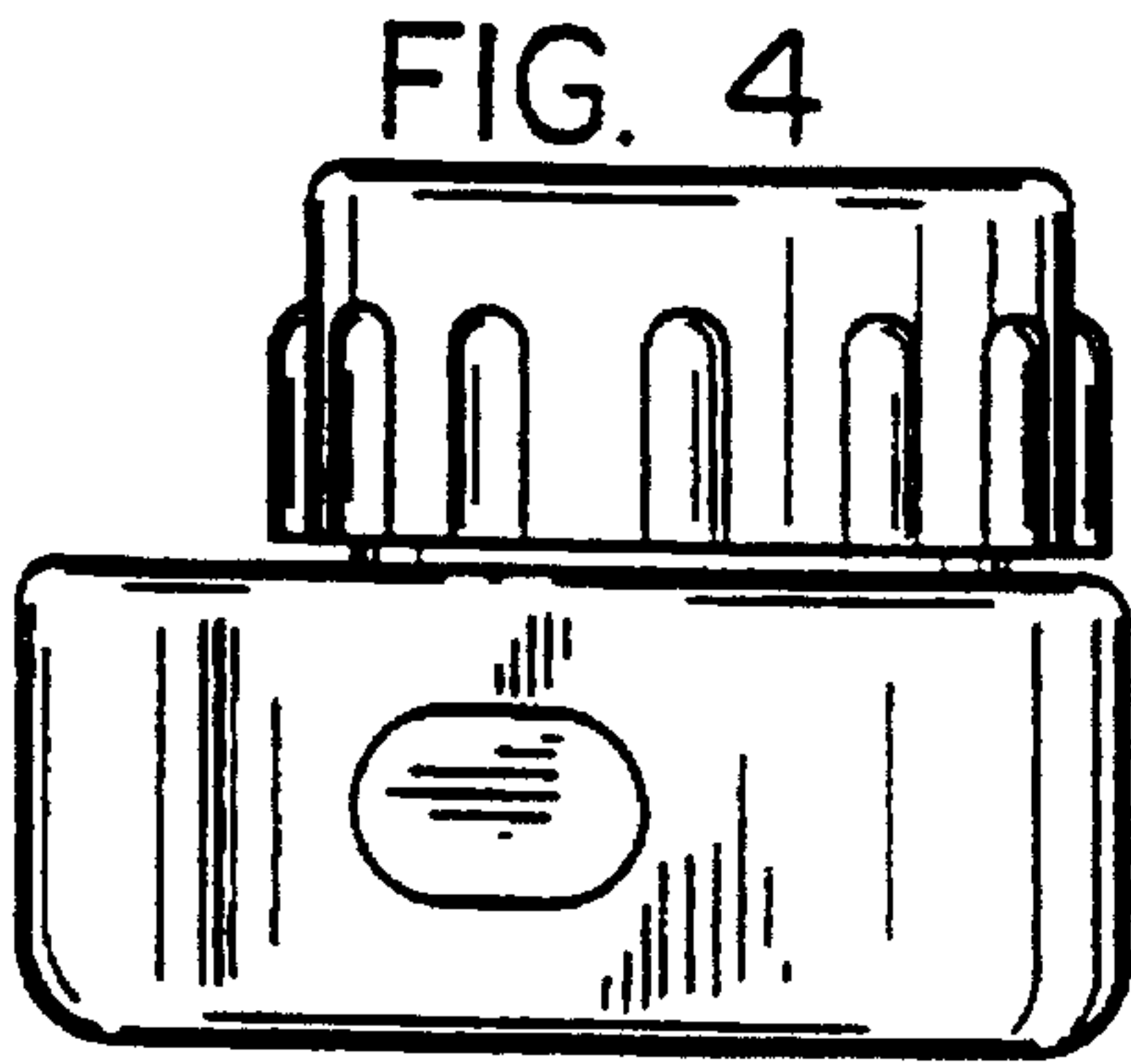


FIG. 4

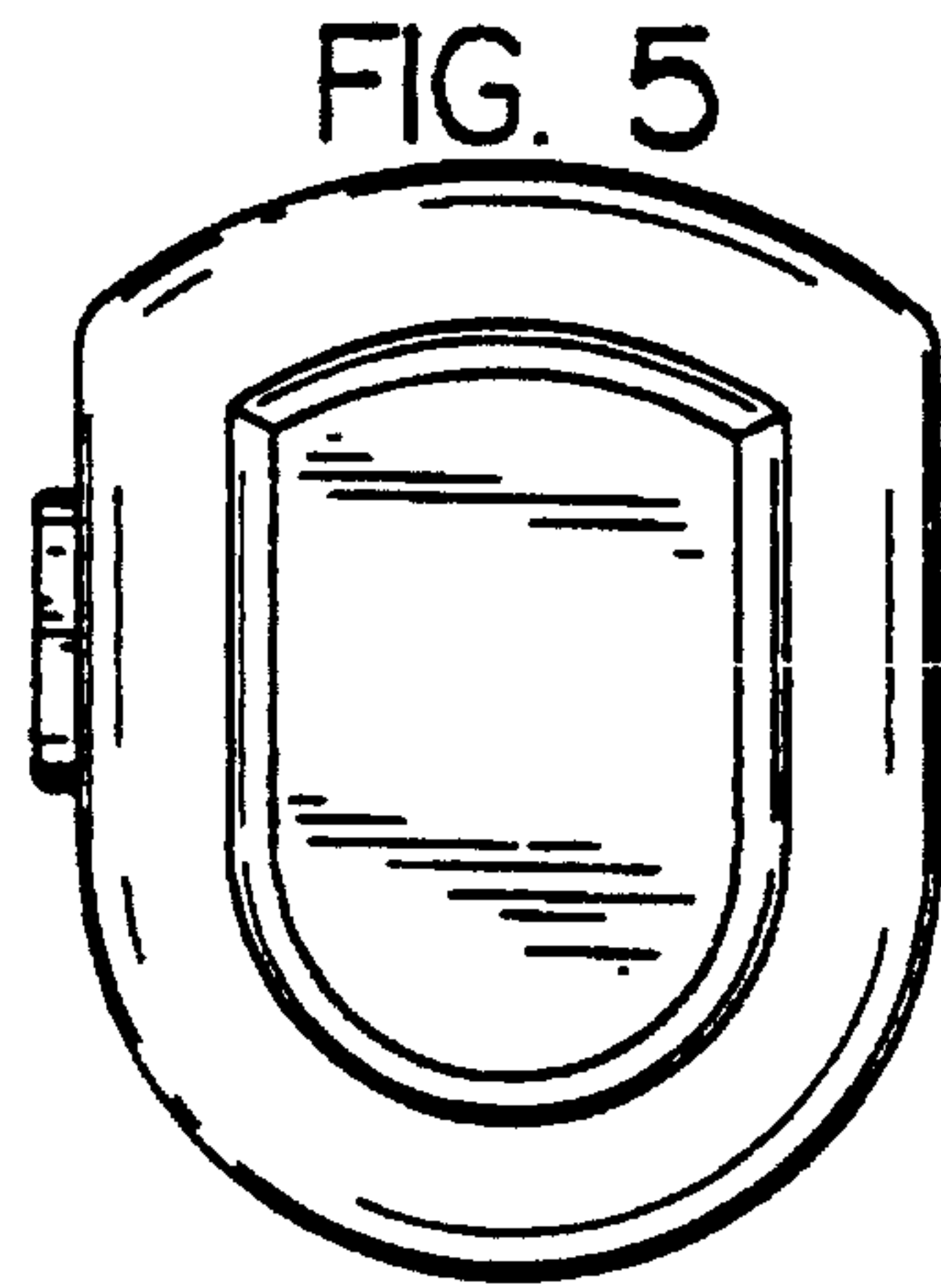


FIG. 5

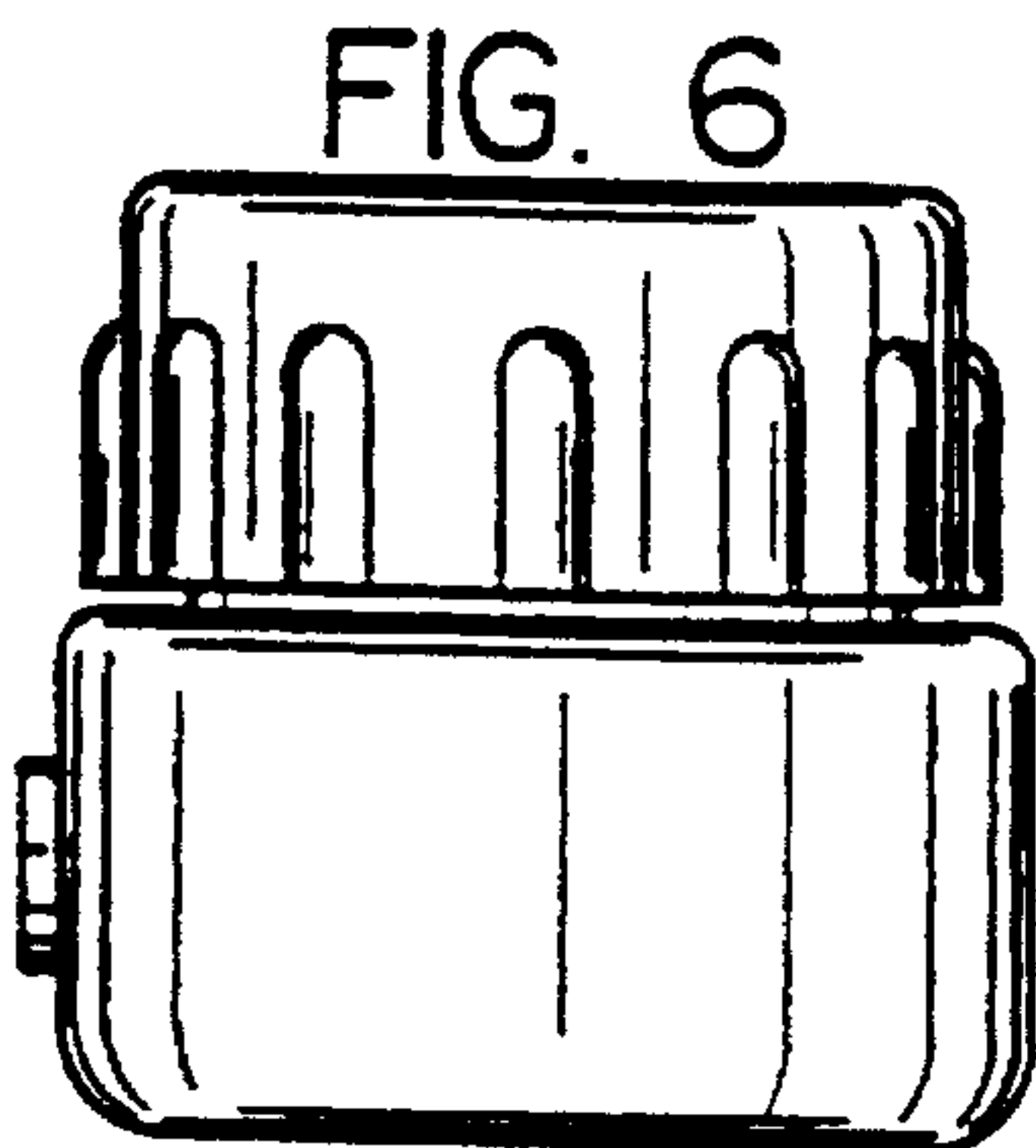


FIG. 6

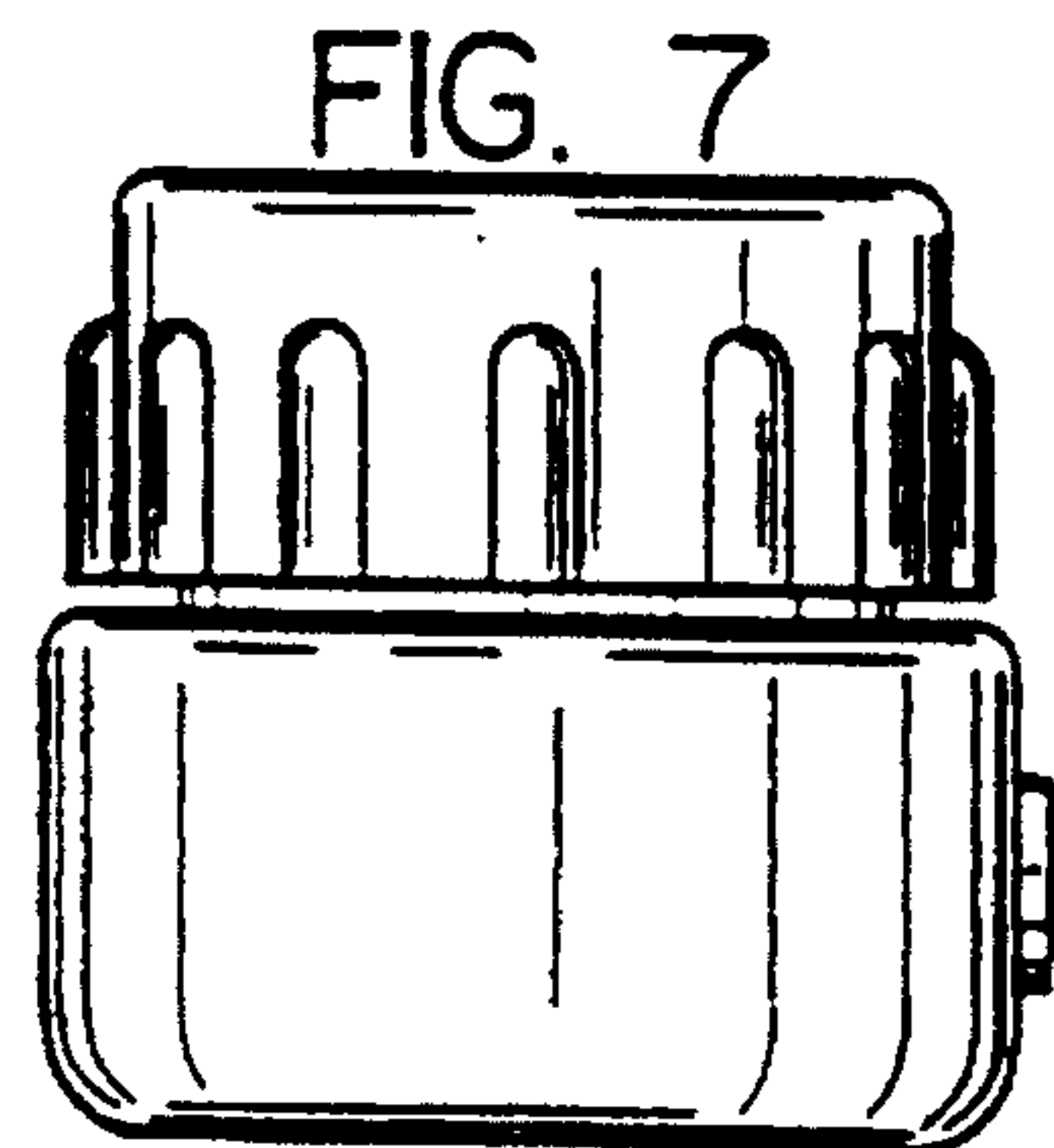


FIG. 7

FIG. 8

