



US00D374175S

United States Patent [19]

[11] **Patent Number: Des. 374,175**

Tesar

[45] **Date of Patent: **Oct. 1, 1996**

[54] **GOLF BALL PACKAGE**

4,646,959	3/1987	Sheffer .	
4,753,346	6/1988	Tsuji	206/457 X
4,804,133	2/1989	Kiyokane	446/488 X
5,115,965	5/1992	Alepuz	206/315.9 X
5,195,633	3/1993	Kaminski	206/315.9

[75] Inventor: **Robert J. Tesar**, Waxhaw, N.C.

[73] Assignee: **Rexam, Inc.**, Charlotte, N.C.

[**] Term: **14 Years**

Primary Examiner—Prabhakar G. Deshmukh
Assistant Examiner—Cheri Cohen
Attorney, Agent, or Firm—Schweitzer Comman & Gross

[21] Appl. No.: **38,969**

[22] Filed: **Aug. 15, 1995**

[52] **U.S. Cl.** **D9/308**

[58] **Field of Search** D9/308, 307, 341,
D9/345, 414; D21/128, 234; 229/116.4,
116.1; 206/457, 315.5, 315.9; 446/73, 488,
7, 75, 76

[57] **CLAIM**

The ornamental design for a golf ball package, as shown and described.

DESCRIPTION

FIG. 1 is a perspective view of a golf ball package embodying my new design;
FIG. 2 is a front elevational view thereof;
FIG. 3 is a top plan view thereof;
FIG. 4 is a side elevation view thereof (the opposite side view being a mirror image);
FIG. 5 is a rear elevation view thereof; and,
FIG. 6 is a bottom plan view thereof.
The broken line showing of the golf balls in FIG. 2 is for illustrative purposes only and forms no part of the claimed design.

[56] **References Cited**

U.S. PATENT DOCUMENTS

D. 74,522	2/1928	Rozowsky .	
D. 201,462	6/1965	Klein	D9/308 X
D. 256,670	9/1980	Fish	D9/308
1,547,176	7/1925	Lazaron .	
1,676,975	7/1928	Anderson et al.	206/315.9 X
1,919,198	7/1933	Burnet	D21/234 X
2,823,844	2/1958	Frankenstein .	
4,055,250	10/1977	Mayhew .	
4,643,349	2/1987	Sheffer .	

1 Claim, 3 Drawing Sheets

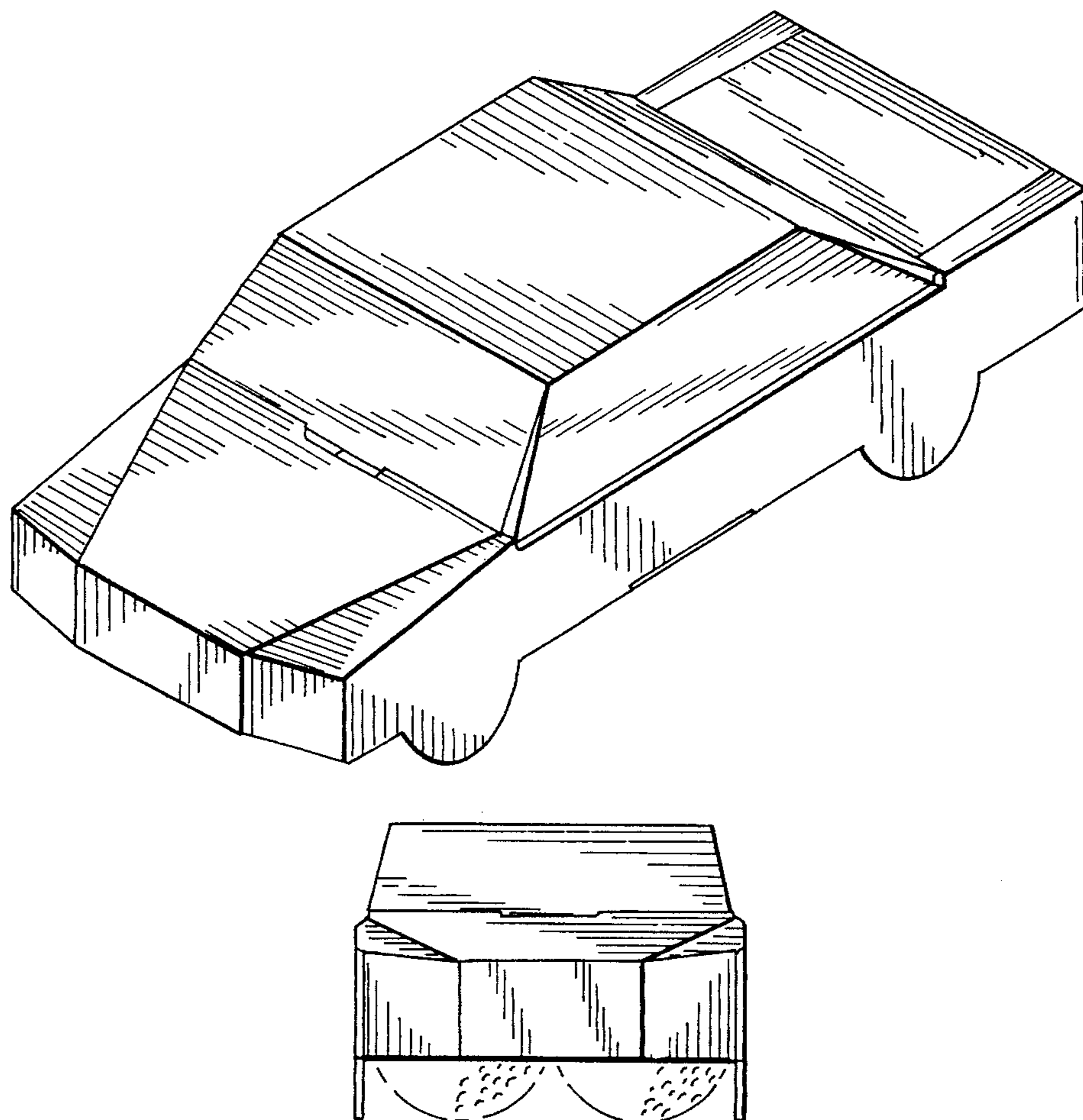


FIG. 2

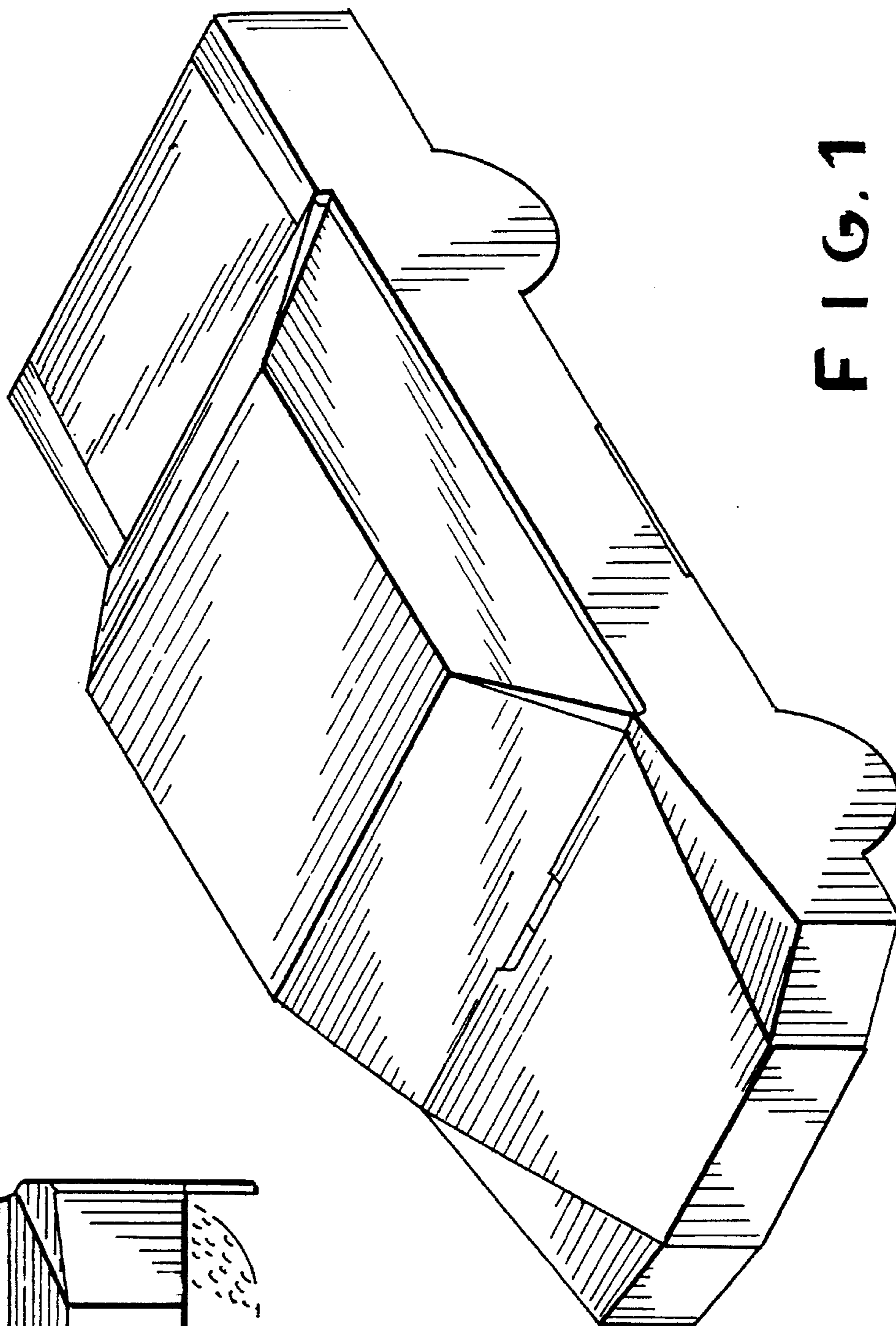
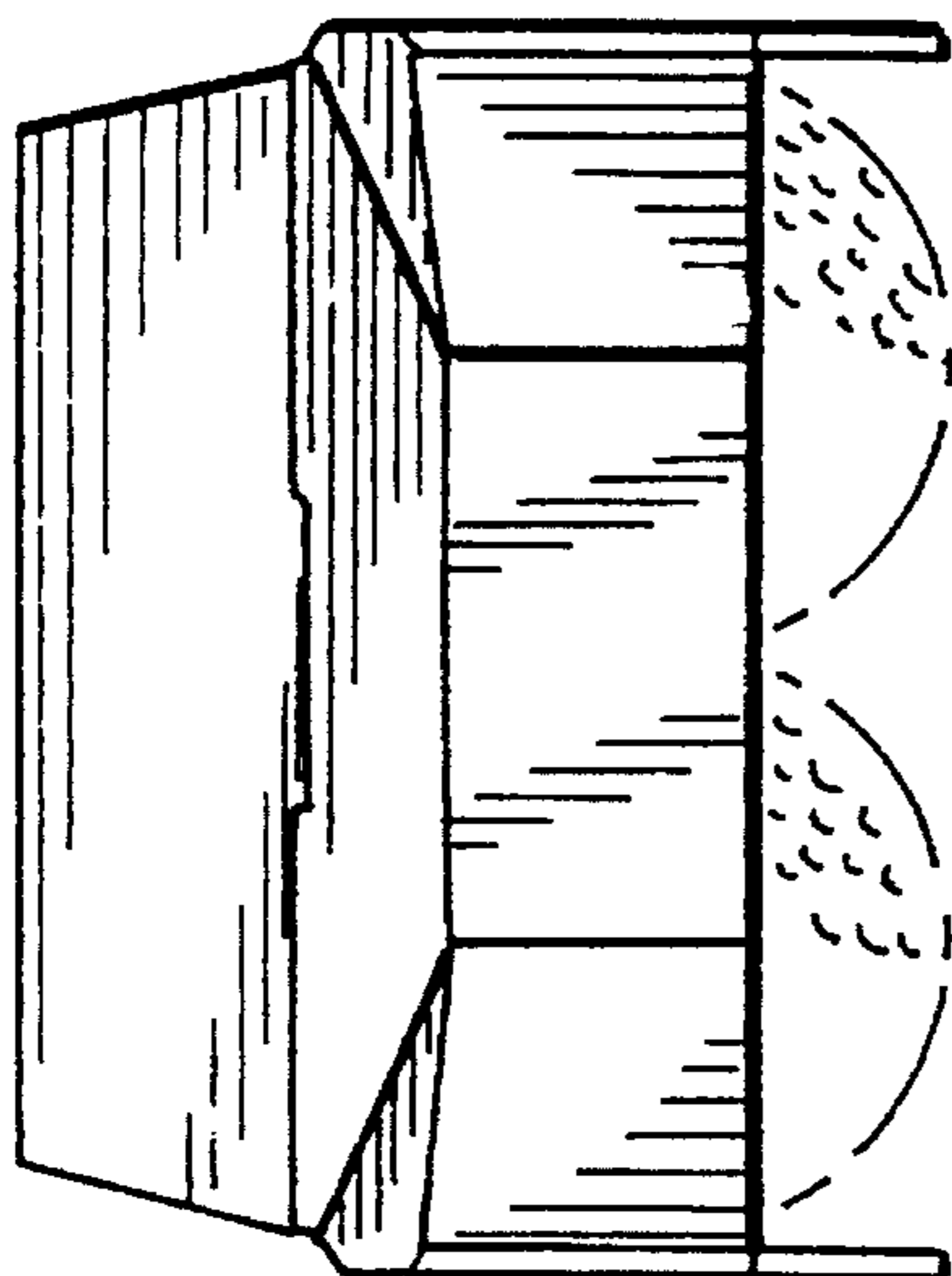


FIG. 1

FIG. 3

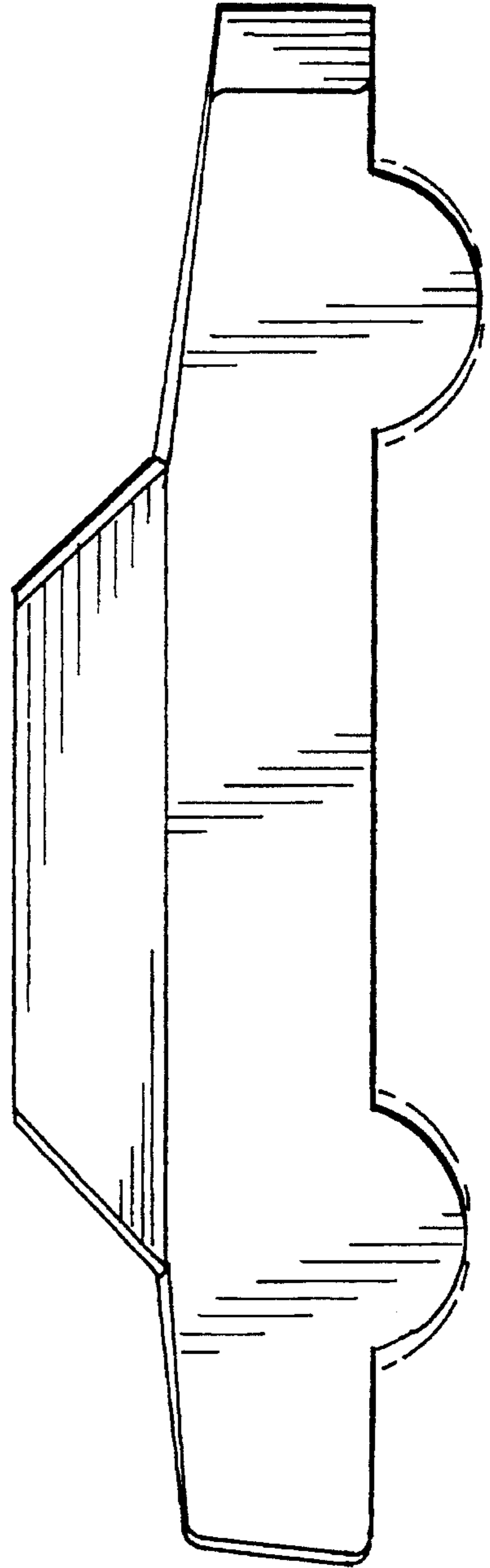
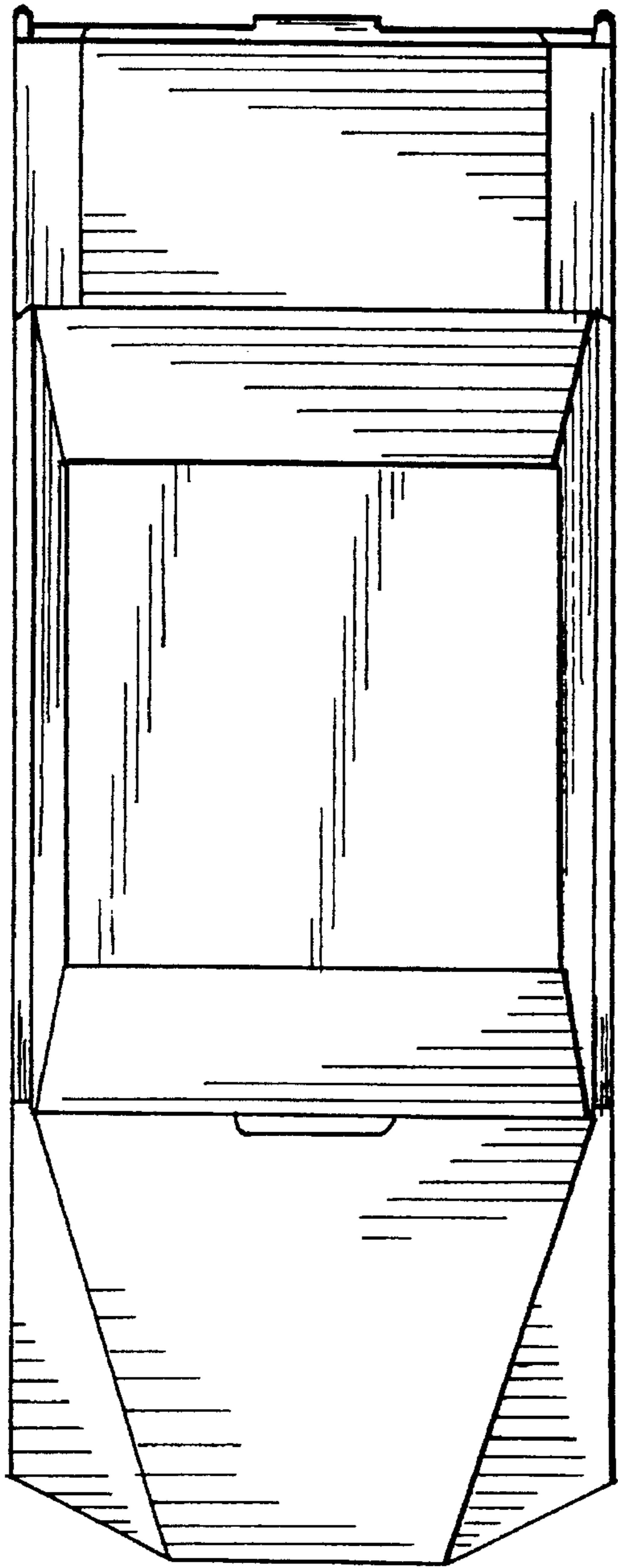


FIG. 4

FIG. 5

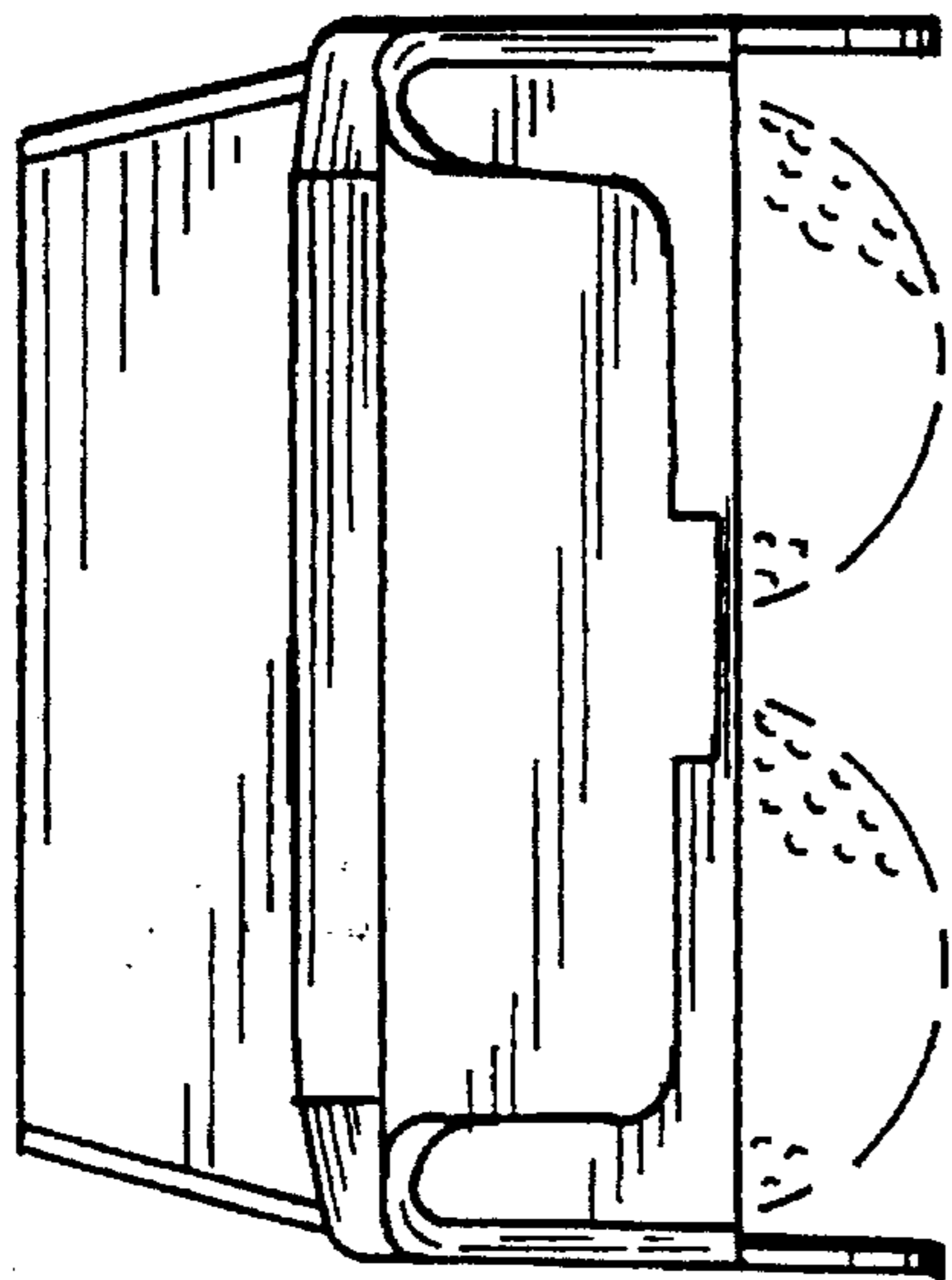


FIG. 6

