



US00D374170S

**United States Patent** [19]  
**Slaski**

[11] **Patent Number:** **Des. 374,170**  
[45] **Date of Patent:** **\*\*Oct. 1, 1996**

[54] **SHOWER CURTAIN CLIP WITH  
MAGNETIC/WEIGHT INSERT**  
[76] Inventor: **Melva C. Slaski**, 10515 Cedar Creek  
Dr., Manassas, Va. 22111  
[\*\*] Term: **14 Years**  
[21] Appl. No.: **41,511**  
[22] Filed: **Jul. 17, 1995**  
[52] **U.S. Cl.** ..... **D8/395; D32/61**  
[58] **Field of Search** ..... D8/371, 394-396;  
D32/61; D19/65; D6/328; 248/205.5, 316.7;  
24/530, 501

4,088,174 5/1978 Edwards .  
4,279,396 7/1981 Bendock .  
4,614,008 9/1986 Brill et al. .  
4,723,326 2/1988 Tarlow et al. .  
4,876,771 10/1989 Givati .  
5,007,120 4/1991 Annand .

*Primary Examiner*—Holly H. Baynham

[57] **CLAIM**

The ornamental design for the shower curtain clip with magnetic/weight insert, as shown and described.

**DESCRIPTION**

FIG. 1 is a front elevational view of the shower curtain clip with magnetic/weight insert showing my new design; FIG. 2 is a rear elevational view thereof; FIG. 3 is a left side elevational view thereof; FIG. 4 is a right side elevational view thereof; and, FIG. 5 is an exploded perspective view thereof. The undisclosed bottom surface of the claimed design is unornamented.

- [56] **References Cited**  
U.S. PATENT DOCUMENTS  
D. 275,731 10/1984 Einhorn et al. .  
D. 292,677 11/1987 Jordi ..... D8/395 X  
D. 302,568 8/1989 Berger ..... D19/65  
D. 303,216 9/1989 Hoffman et al. .... D8/395 X  
D. 317,116 5/1991 Nimitz ..... D8/395  
D. 351,519 10/1994 De Marco ..... D8/373 X

**1 Claim, 3 Drawing Sheets**

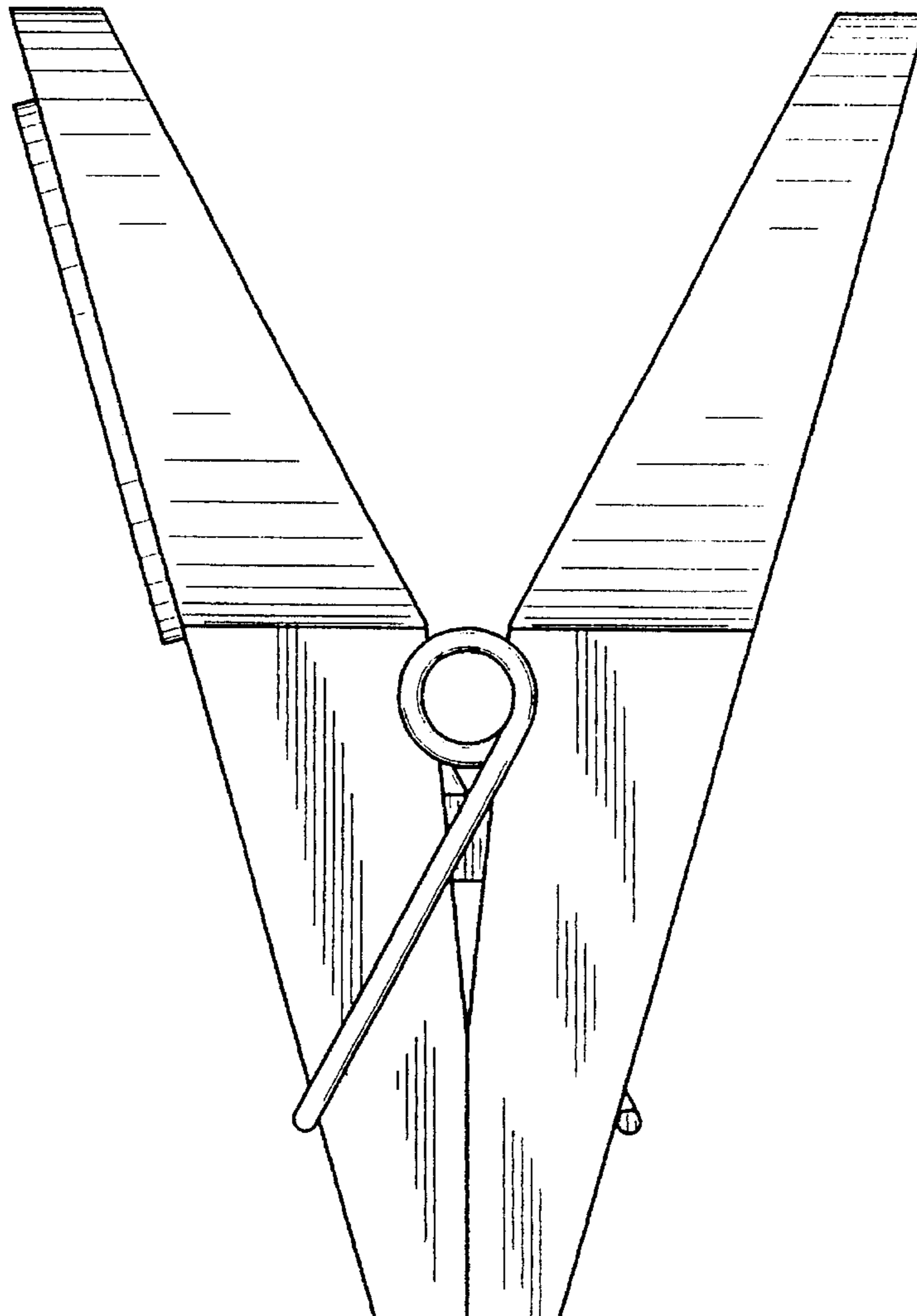


FIG. 1

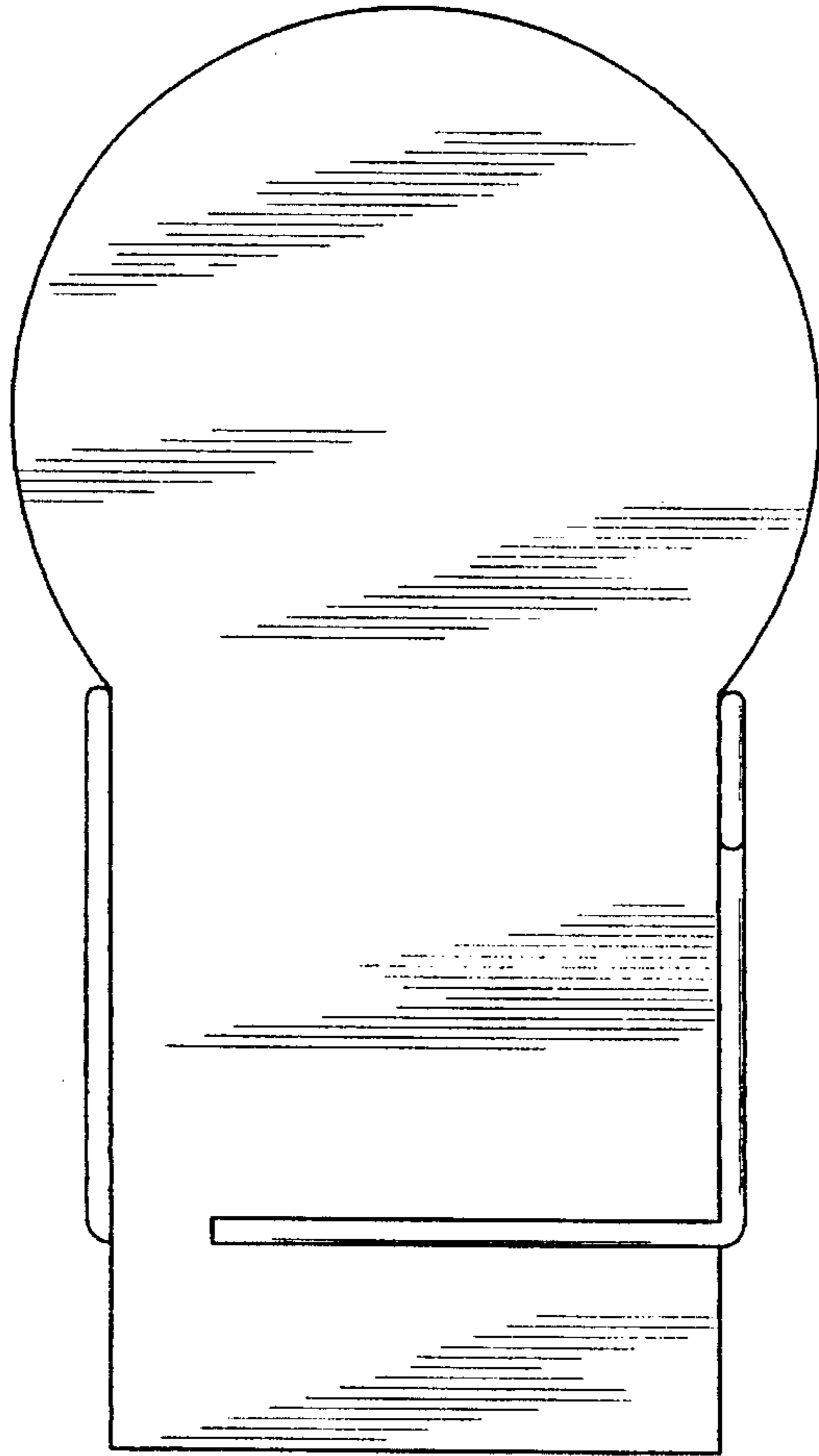


FIG. 2

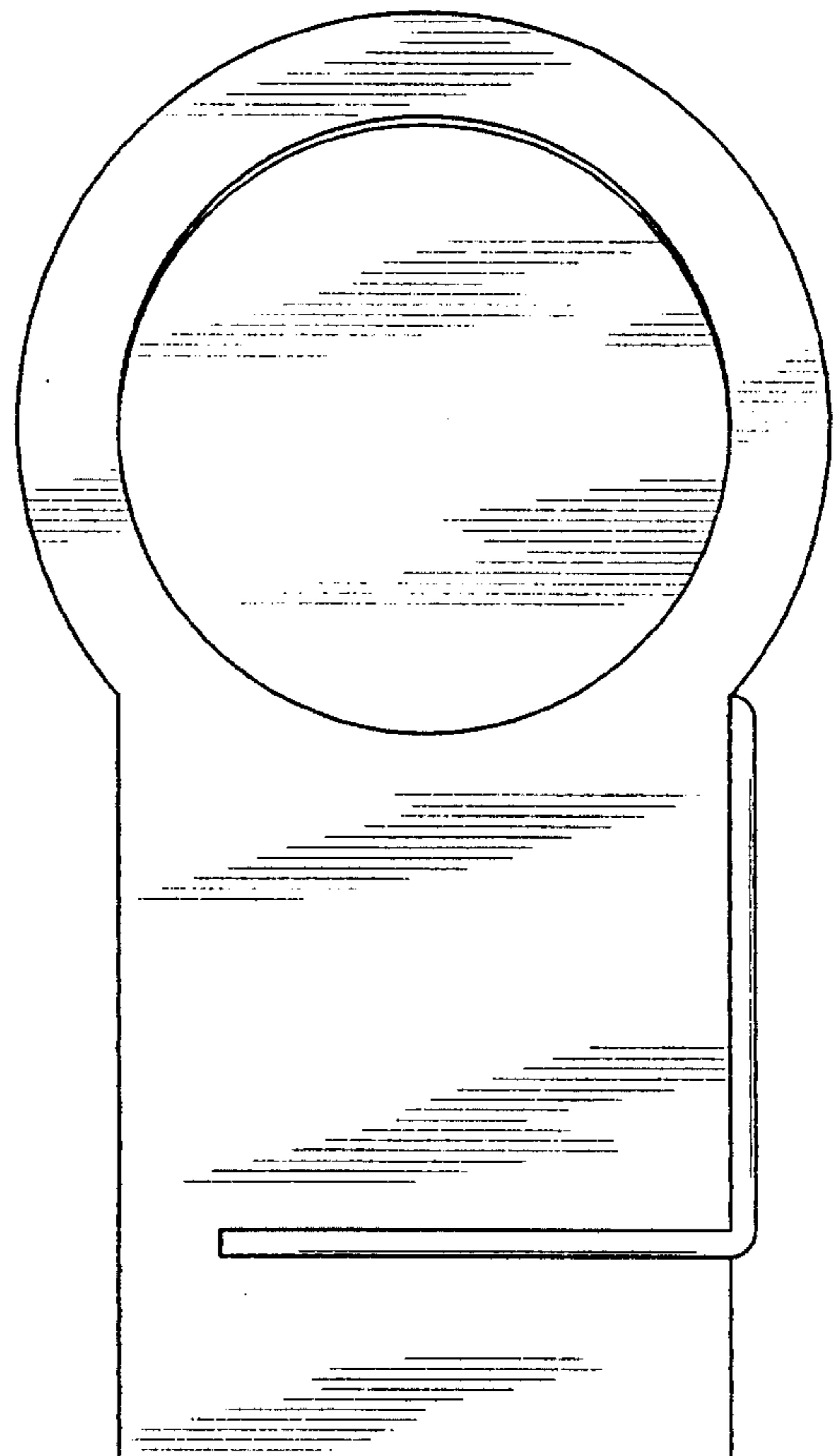


FIG. 3

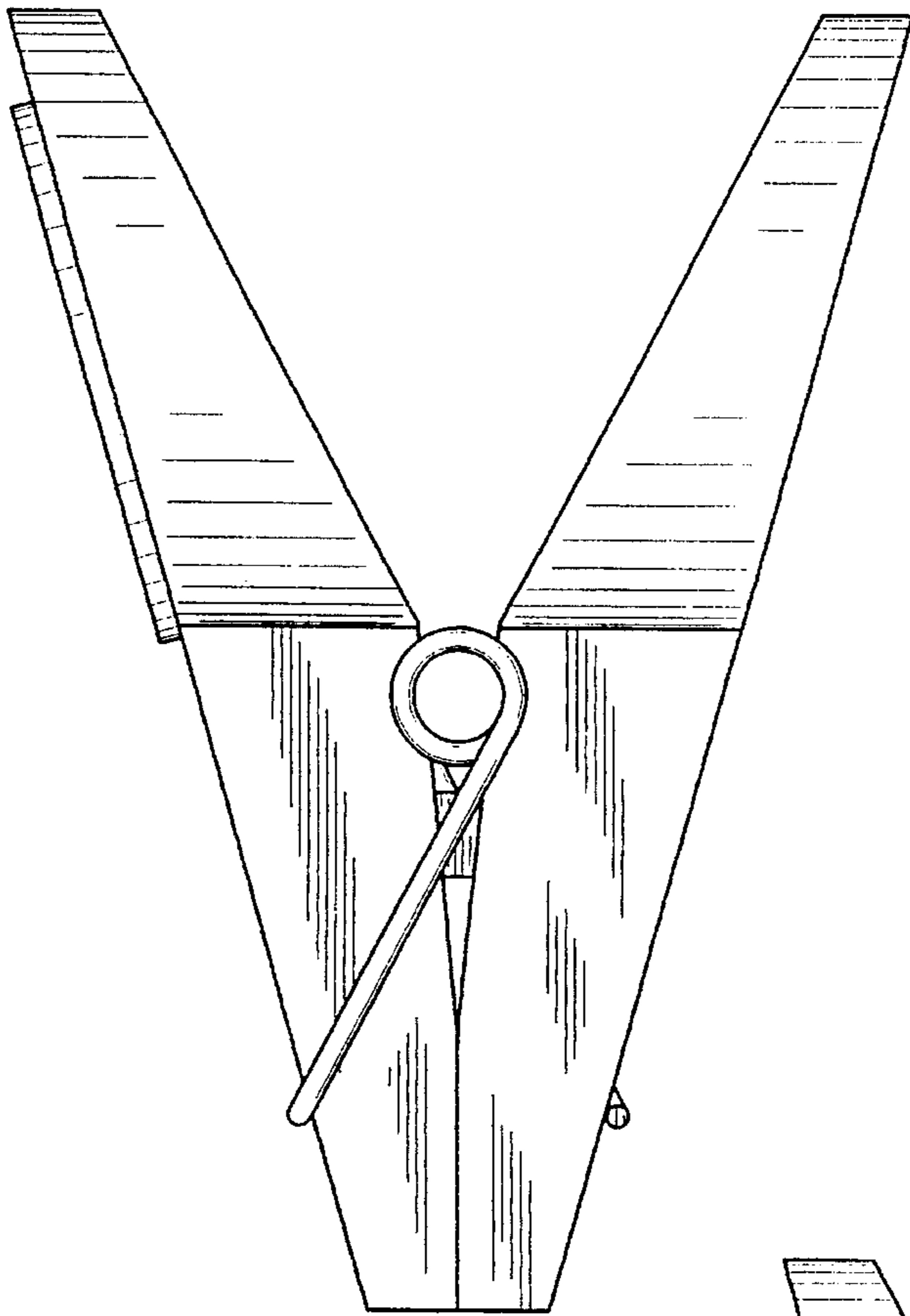


FIG. 4

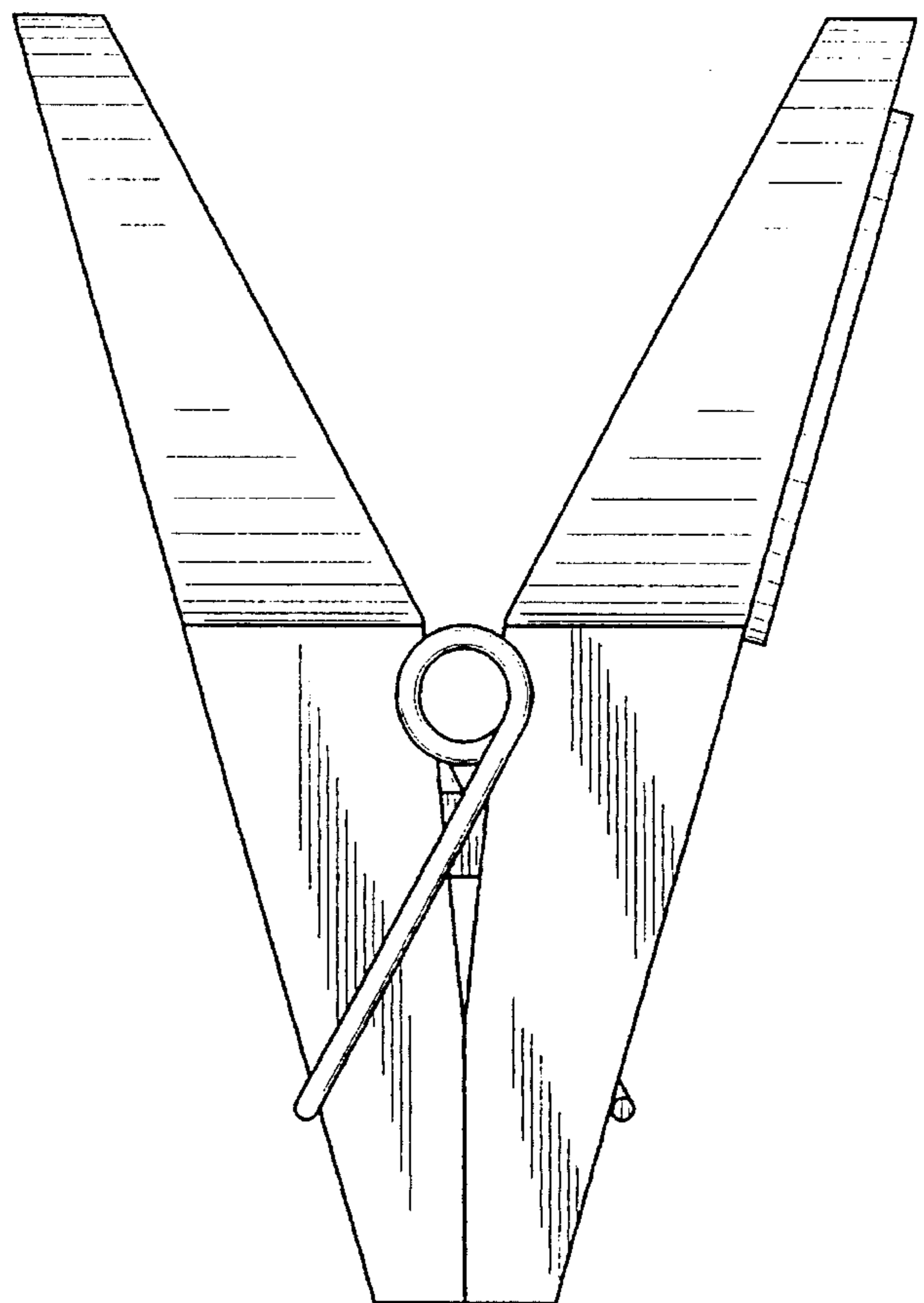


FIG. 5

