



US00D374167S

United States Patent [19]

Scholl

[11] Patent Number: **Des. 374,167**

[45] Date of Patent: ****Oct. 1, 1996**

[54] **ROD HOLDER**

D. 334,315 3/1993 Bengtson D6/546 X
D. 343,085 1/1994 Bell D6/546 X

[75] Inventor: **Winfried Scholl**, Düsseldorf, Germany

[73] Assignee: **Hewi Heinrich Wilke GmbH**, Arolsen, Germany

Primary Examiner—Holly H. Baynham
Attorney, Agent, or Firm—Michael J. Striker

[**] Term: **14 Years**

[57] **CLAIM**

[21] Appl. No.: **24,907**

The ornamental design for a rod holder, as shown and described.

[22] Filed: **Jun. 23, 1994**

DESCRIPTION

[30] **Foreign Application Priority Data**

Dec. 23, 1993 [DE] Germany M9309983.5

[52] **U.S. Cl.** **D8/363**

[58] **Field of Search** D8/373, 380, 363;
D6/546, 549; D12/117; 248/251, 309.1

FIG. 1 is a right, front, top perspective view of a rod holder showing my new design;

FIG. 2 is a left side elevational view thereof;

FIG. 3 is a front plan view thereof; and,

FIG. 4 is a rear plan view thereof.

The undisclosed bottom view is planar and unornamented.

[56] **References Cited**

U.S. PATENT DOCUMENTS

D. 300,803 4/1989 Whitley D8/380 X

1 Claim, 1 Drawing Sheet

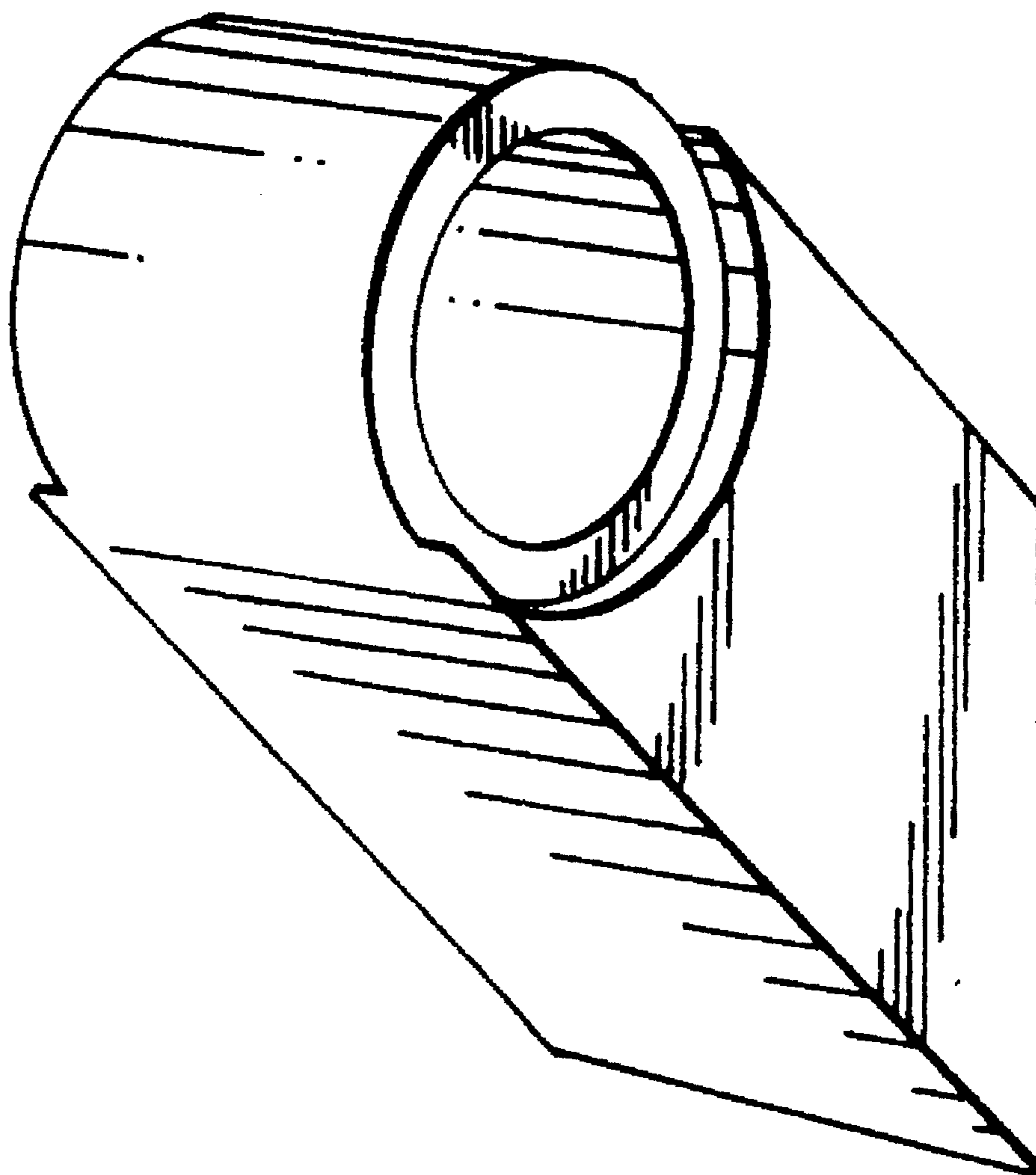


FIG. 1

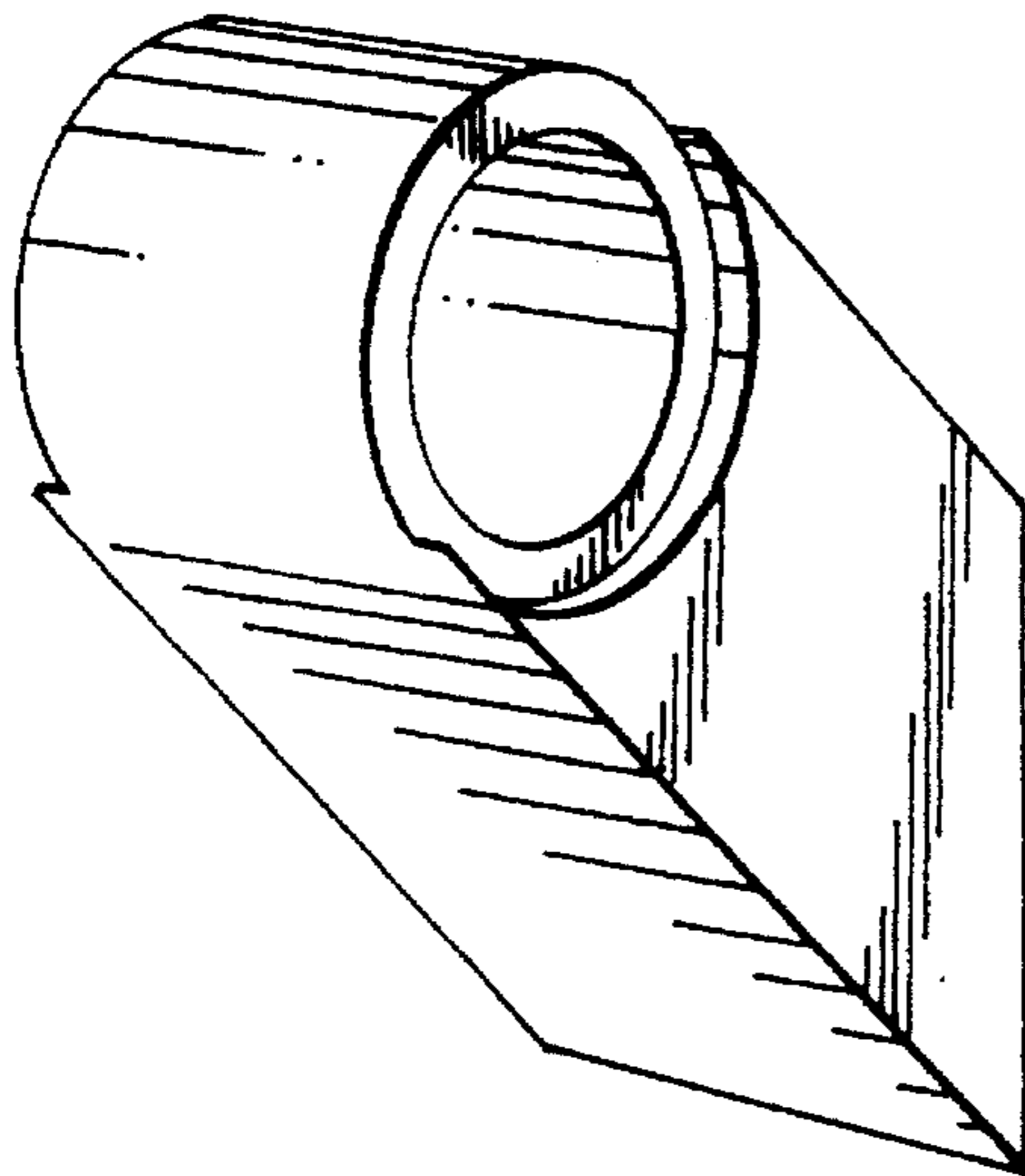


FIG. 2

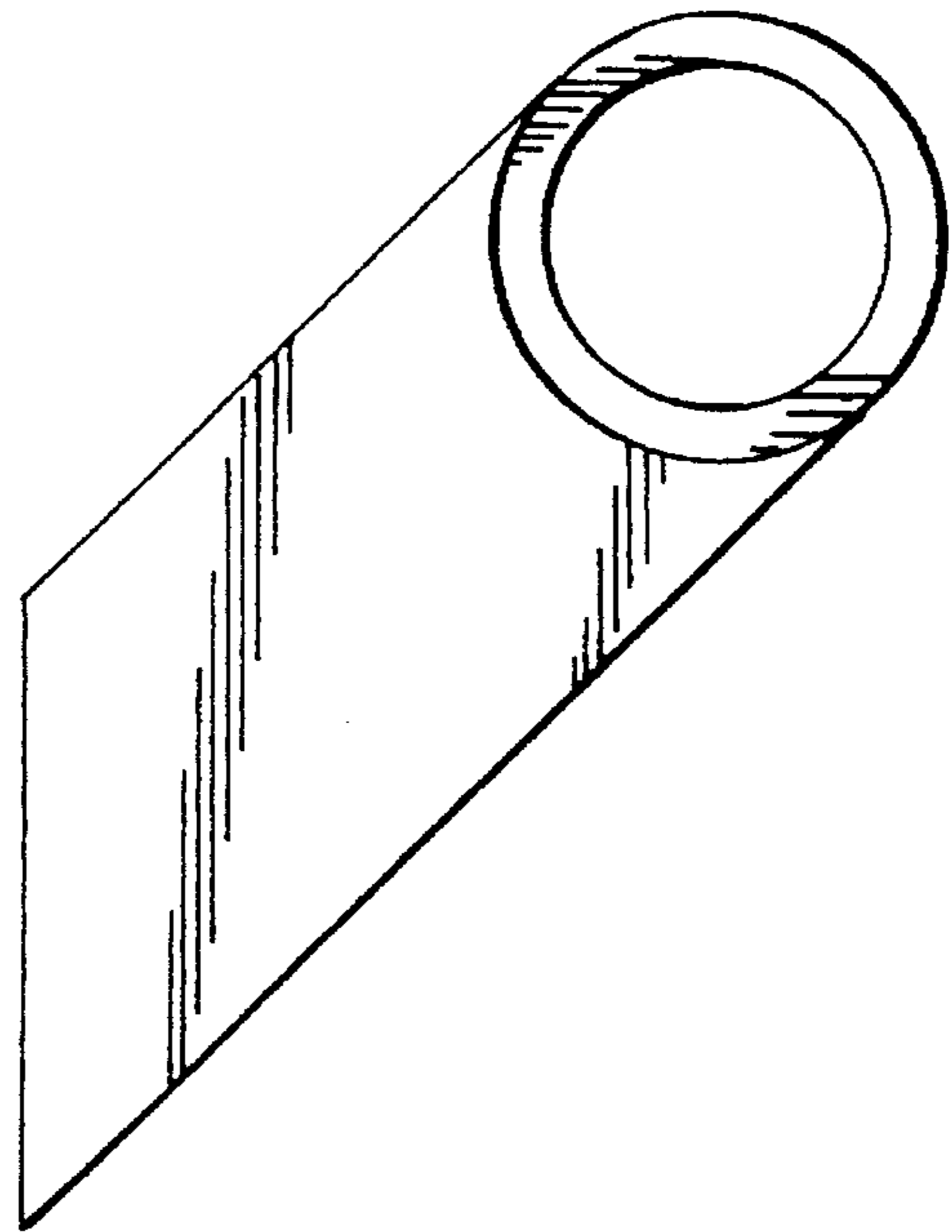


FIG. 3

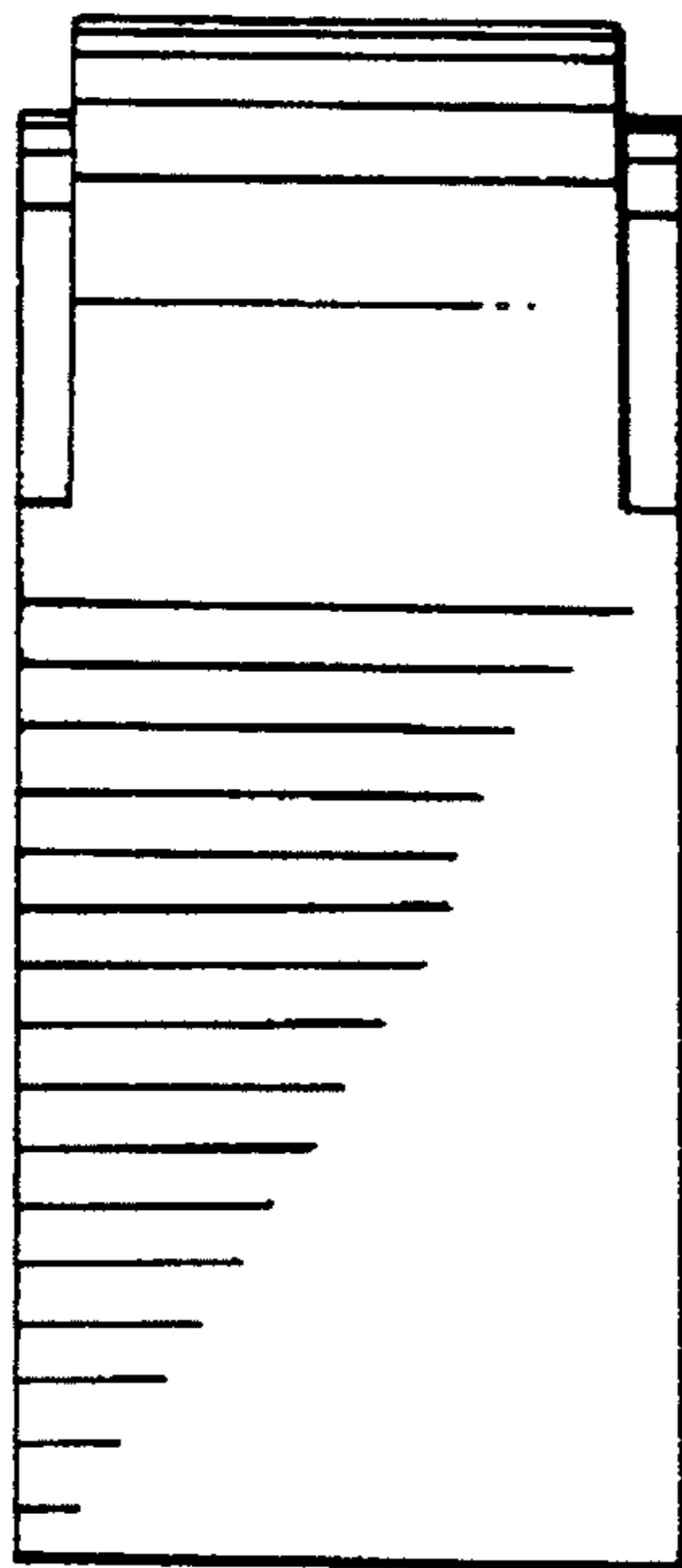


FIG. 4

