



US00D374164S

United States Patent [19]
Eickhoff

[11] **Patent Number: Des. 374,164**
[45] **Date of Patent: **Oct. 1, 1996**

[54] **BLOCK SPACER UNIT**

[76] Inventor: **Jon H. Eickhoff**, 2330 Plymouth La.,
Kalamazoo, Mich. 49008

[**] Term: **14 Years**

[21] Appl. No.: **31,967**

[22] Filed: **Dec. 9, 1994**

[52] U.S. Cl. **D8/354**

[58] Field of Search D25/199, 113;
D8/354; 52/653.1, 653.2, 648.1

[56] **References Cited**

U.S. PATENT DOCUMENTS

4,211,044	7/1980	Gugliotta et al.	52/653.2 X
4,324,083	4/1982	Johnson, Jr.	52/653.2
4,998,397	3/1991	Orton	52/715

Primary Examiner—Holly H. Baynham
Attorney, Agent, or Firm—Flynn, Thiel, Boutell & Tanis,
P.C.

[57] **CLAIM**

The ornamental design for a block spacer unit, as shown and described.

DESCRIPTION

FIG. 1 is a top, left side, front isometric view of a block

spacer unit showing my new design;

FIG. 2 is a right side, rear isometric view thereof;

FIG. 3 is an exploded top, left side, front isometric view of the horizontal block spacer member of the block spacer unit shown separated for clarity of illustration;

FIG. 4 is a top, left side, front isometric view of the horizontal block spacer member shown assembled;

FIG. 5 is a bottom, right, rear isometric view thereof;

FIG. 6 is an enlarged top view thereof;

FIG. 7 is a front elevational view thereof;

FIG. 8 is a left side elevational view thereof;

FIG. 9 is a right side elevational view thereof;

FIG. 10 is a rear elevational view thereof;

FIG. 11 is a bottom view thereof;

FIG. 12 is an enlarged top, left side, front isometric view of a vertical spacer member of the block spacer unit;

FIG. 13 is a front elevational view thereof;

FIG. 14 is a top view thereof;

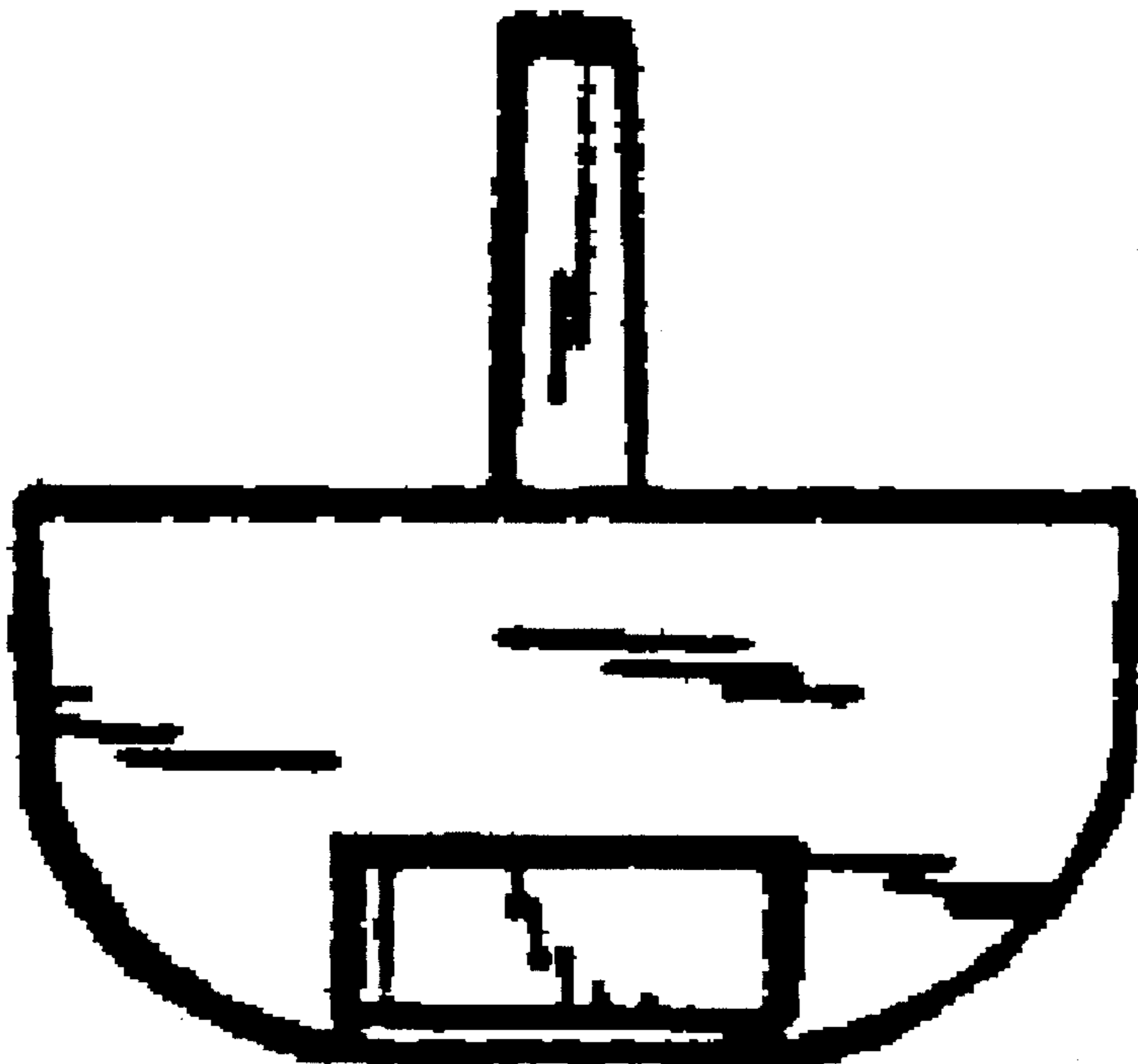
FIG. 15 is an right side elevational view thereof;

FIG. 16 is a bottom view thereof; and,

FIG. 17 is a rear elevational view thereof.

The vertical spacer member and the horizontal block spacer member of the claimed design are shown detached for clarity of illustration, it being understood that the detached elements are the same as the elements shown in the full assembled views of FIGS. 15 and 16.

1 Claim, 8 Drawing Sheets



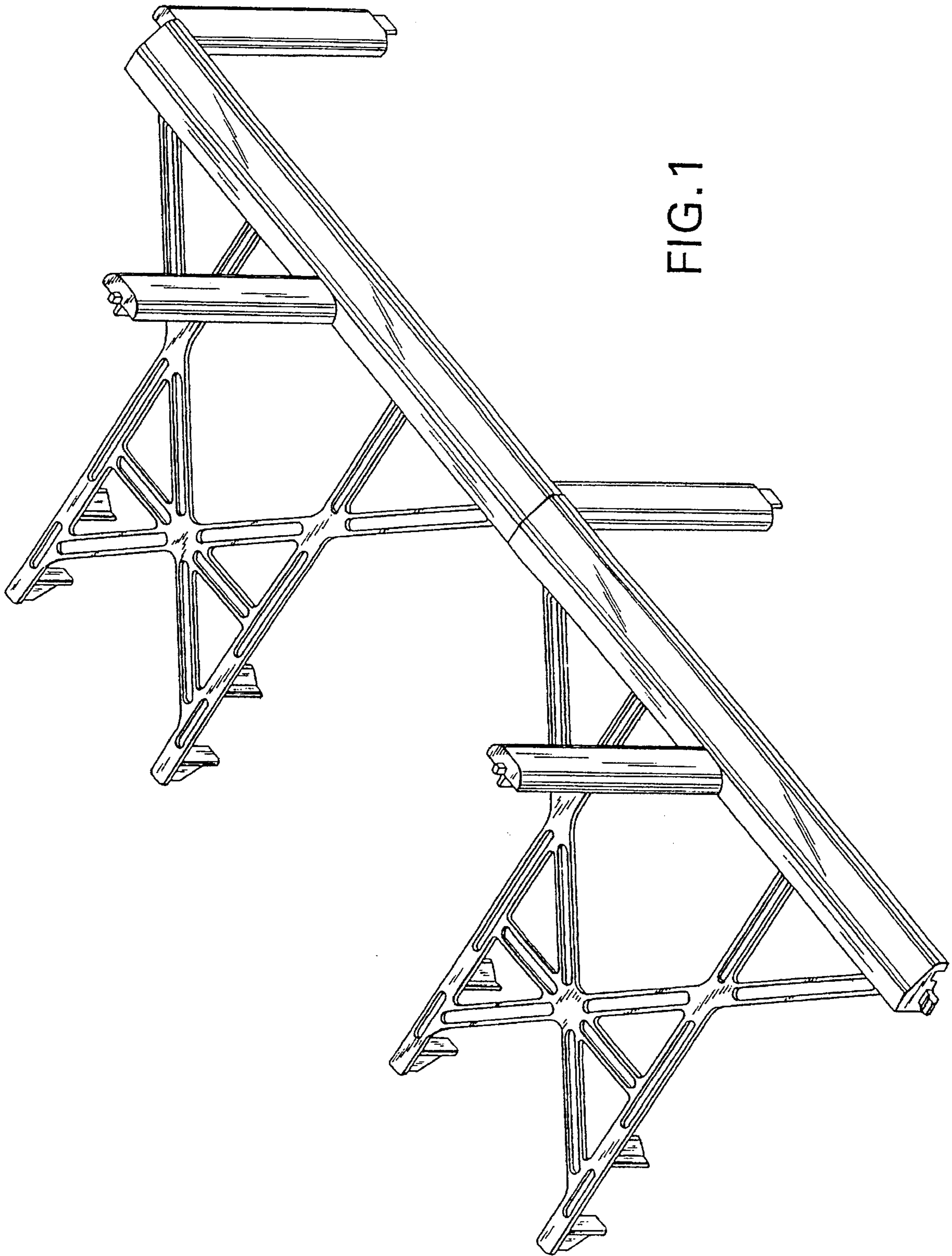


FIG. 1

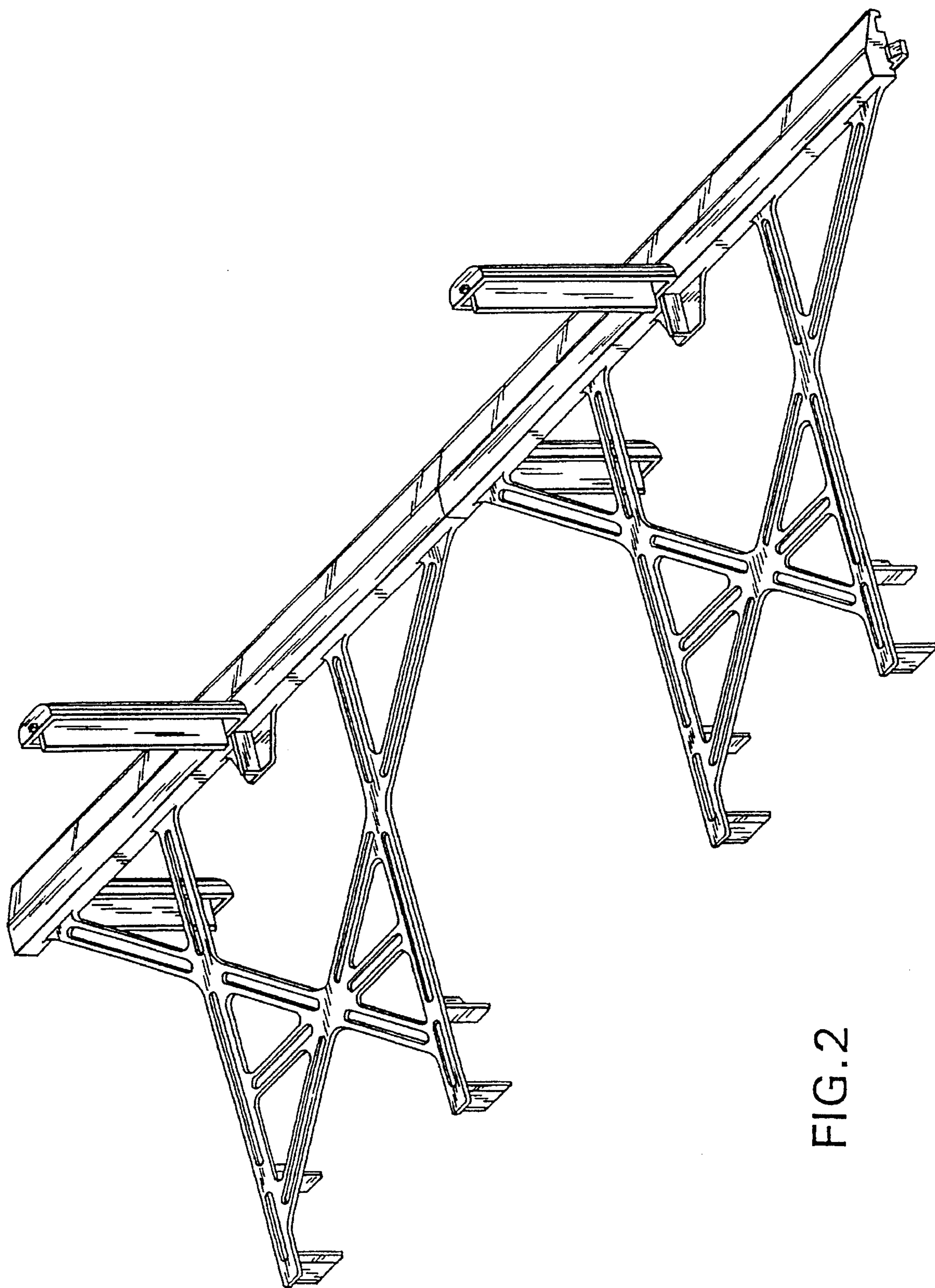


FIG. 2

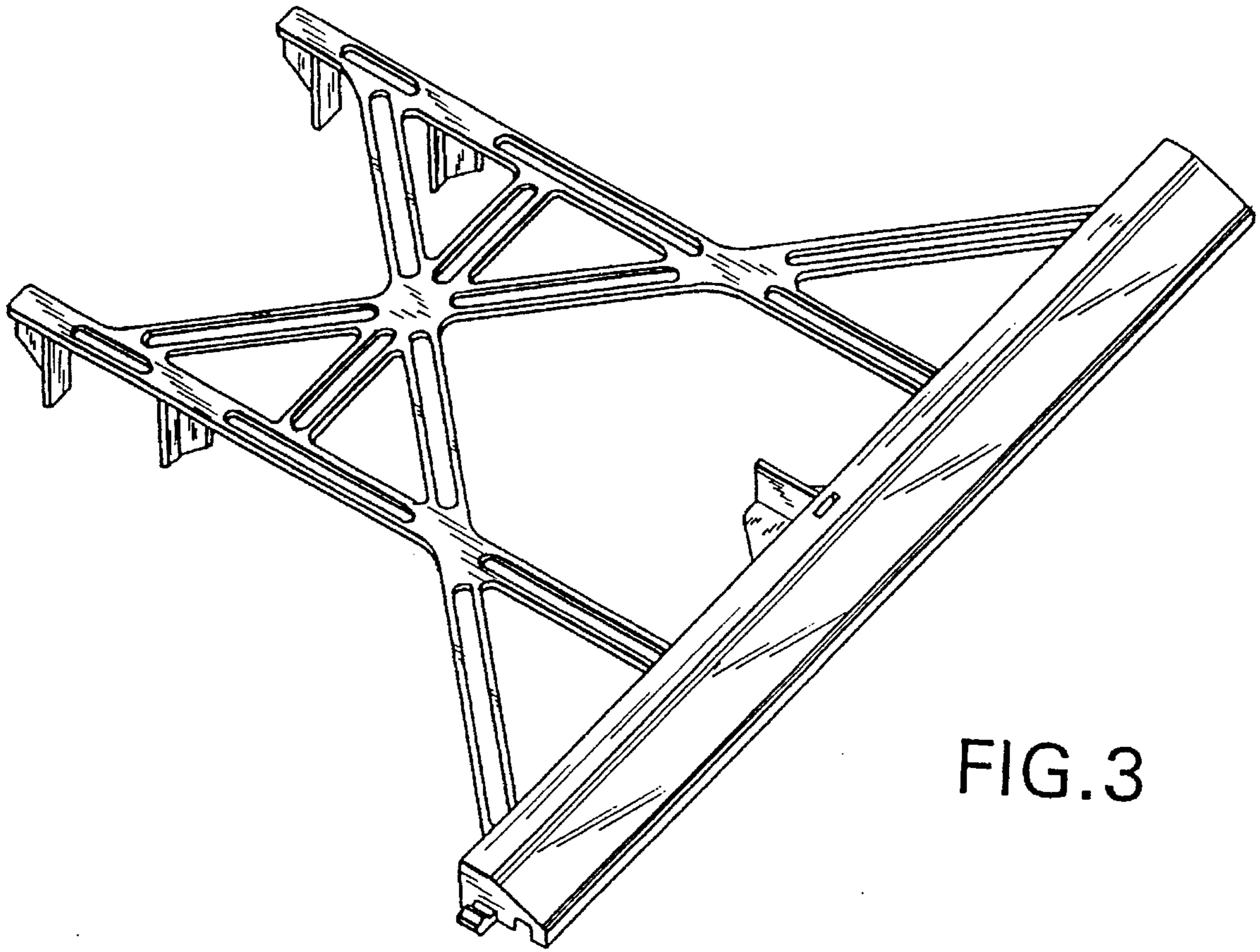


FIG. 3

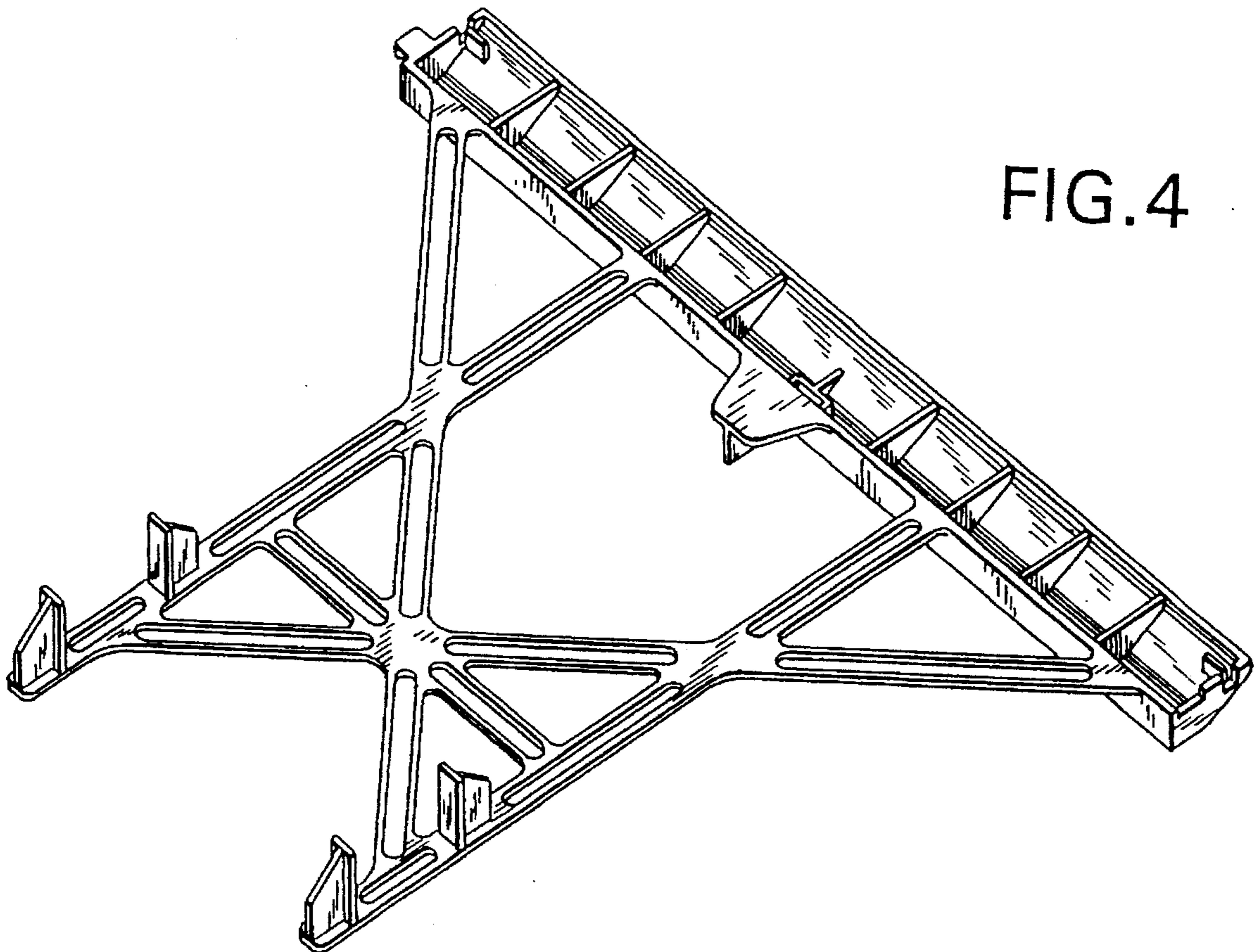


FIG. 4

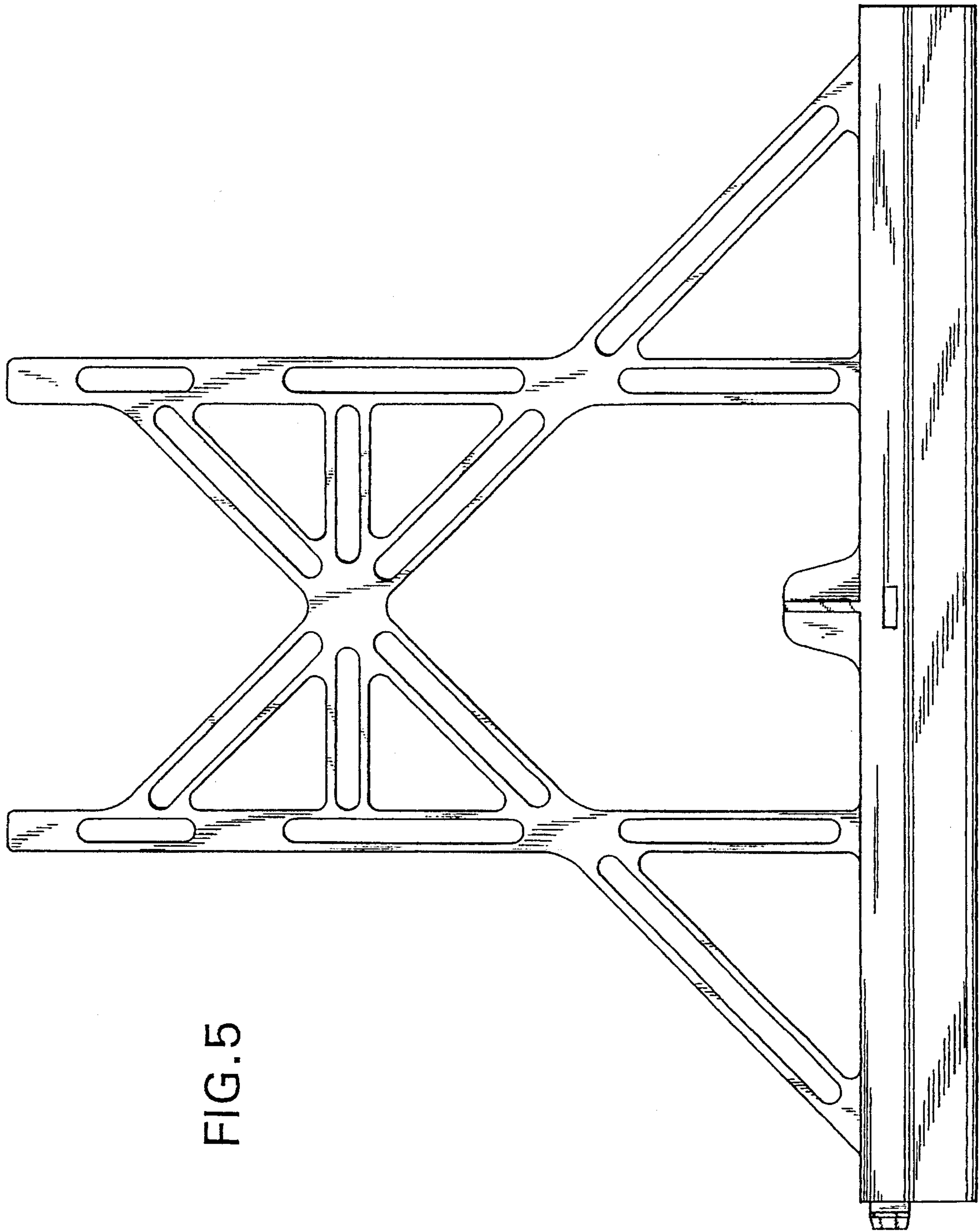


FIG. 5

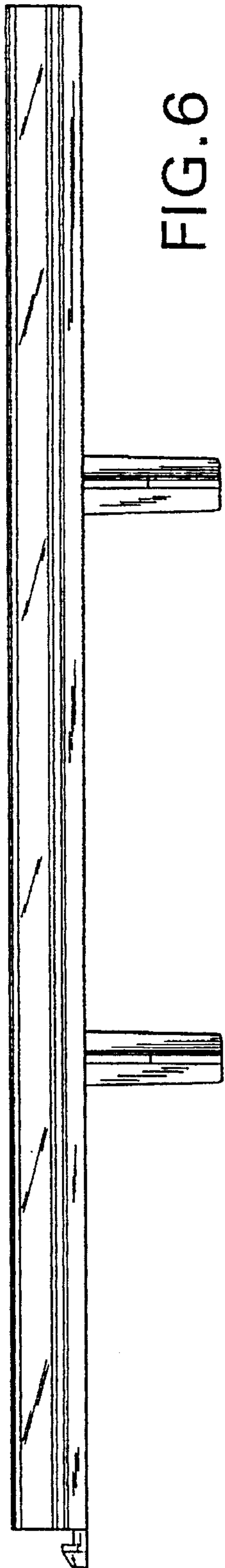


FIG. 6

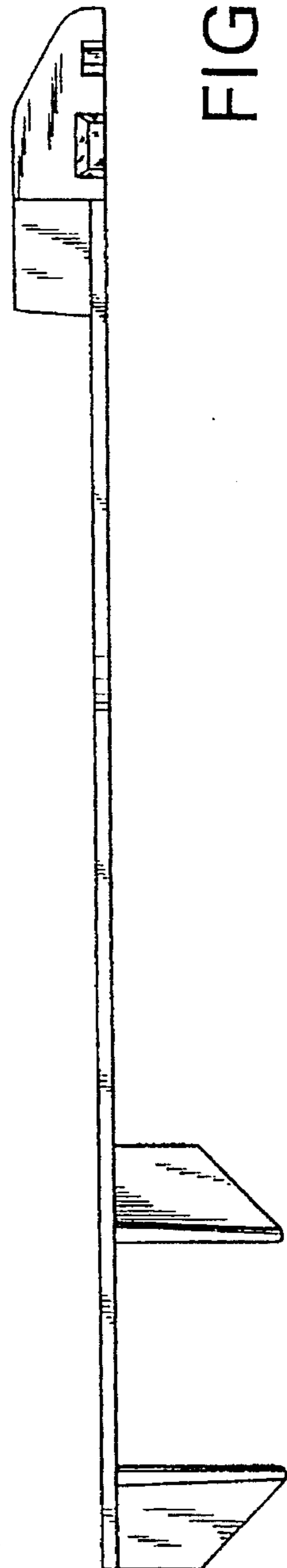


FIG. 7

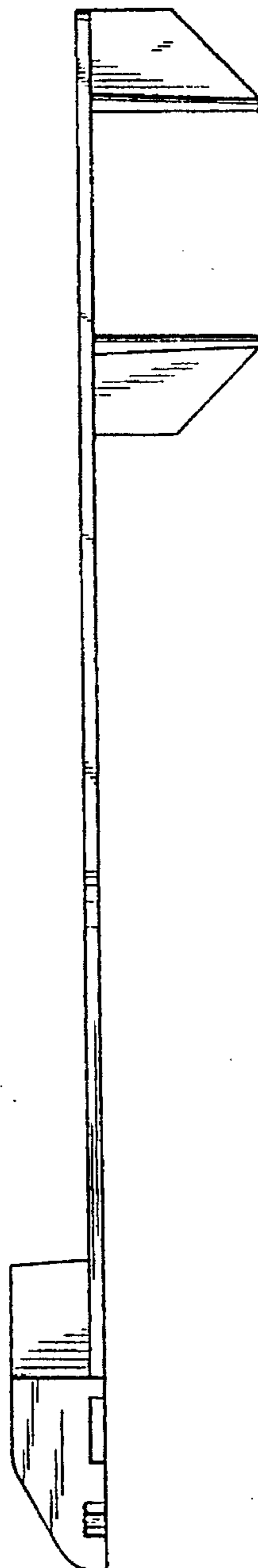


FIG. 8

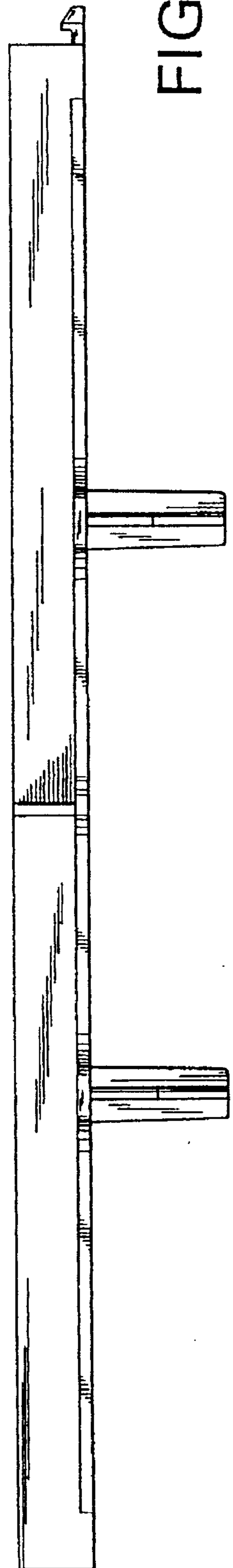


FIG. 9

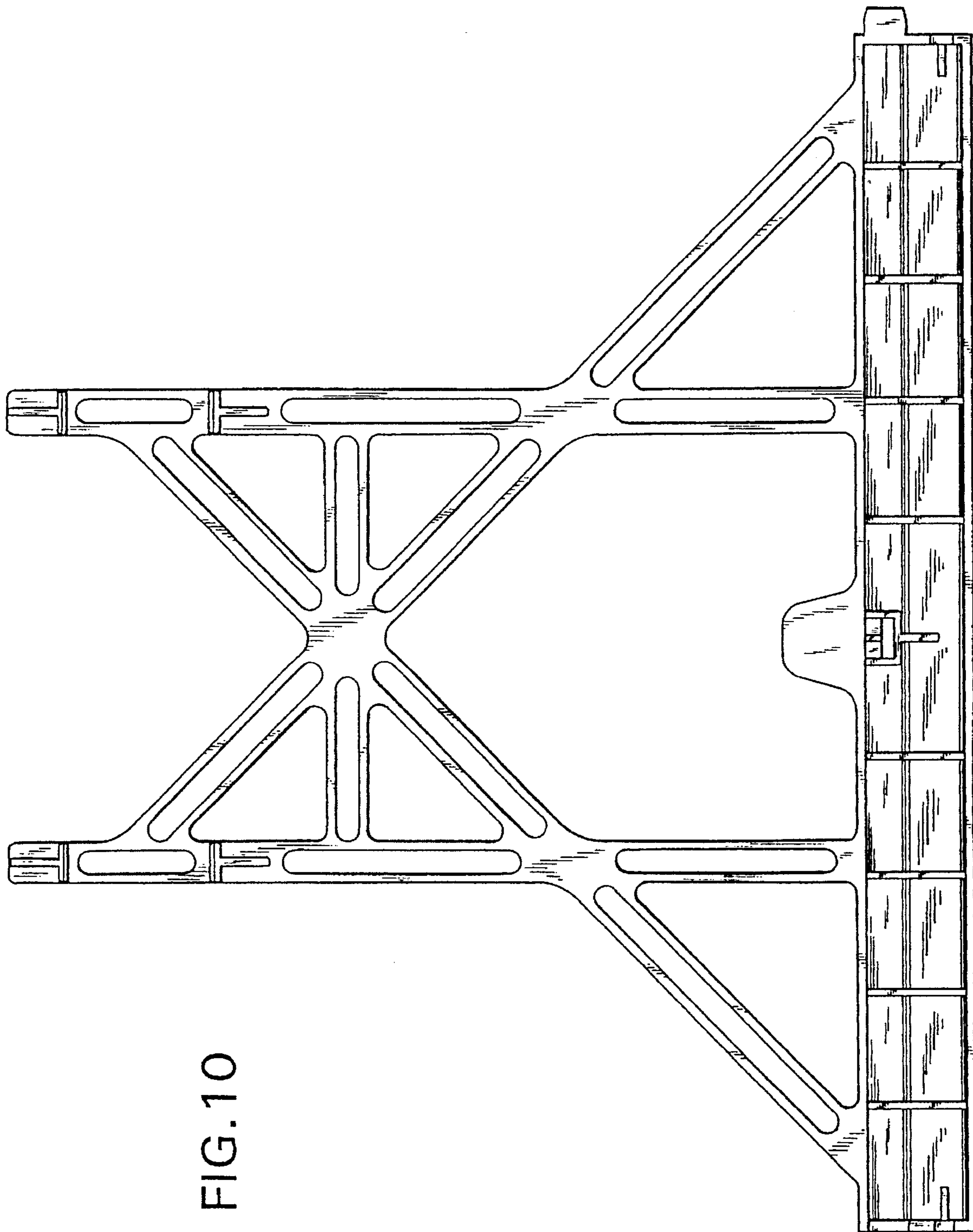


FIG. 10

FIG.14



FIG.15

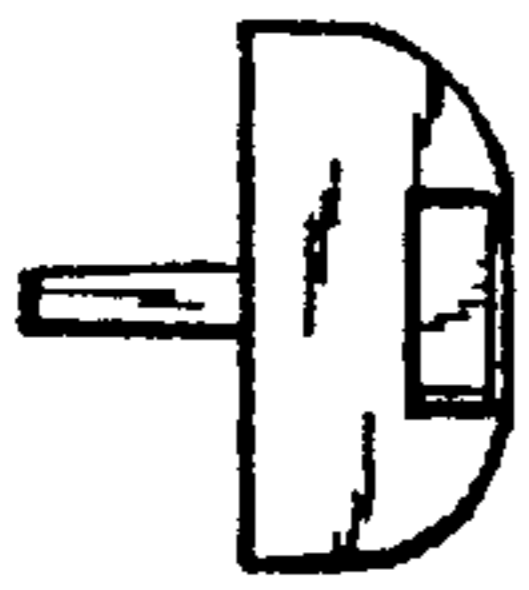


FIG.13

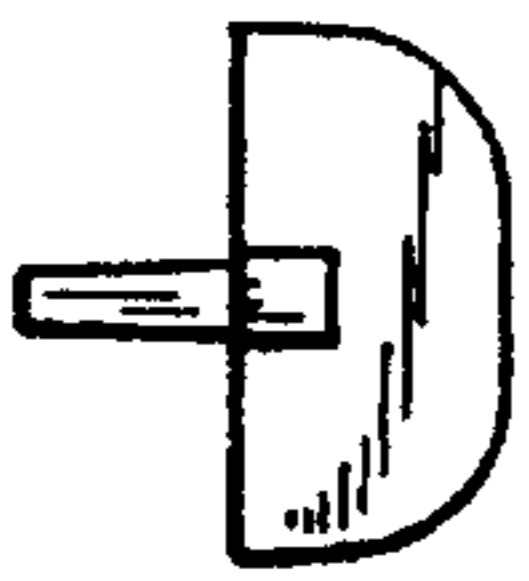


FIG.12

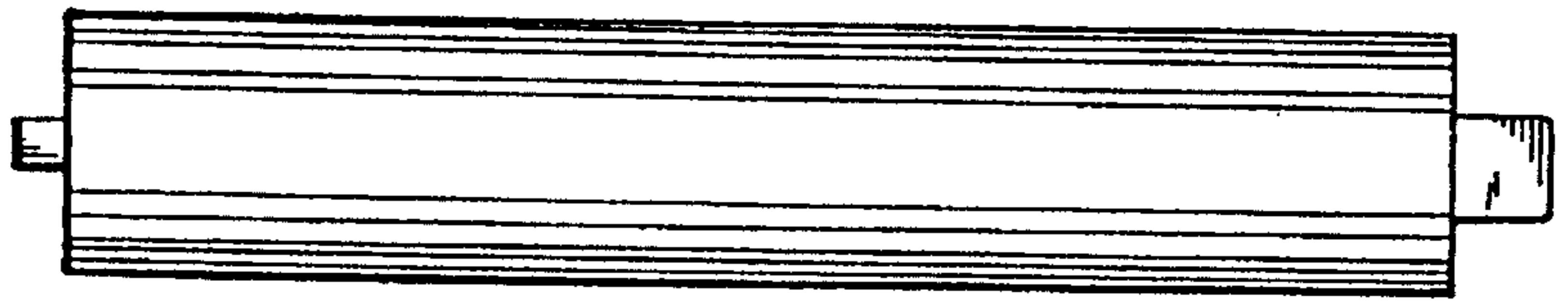


FIG.16

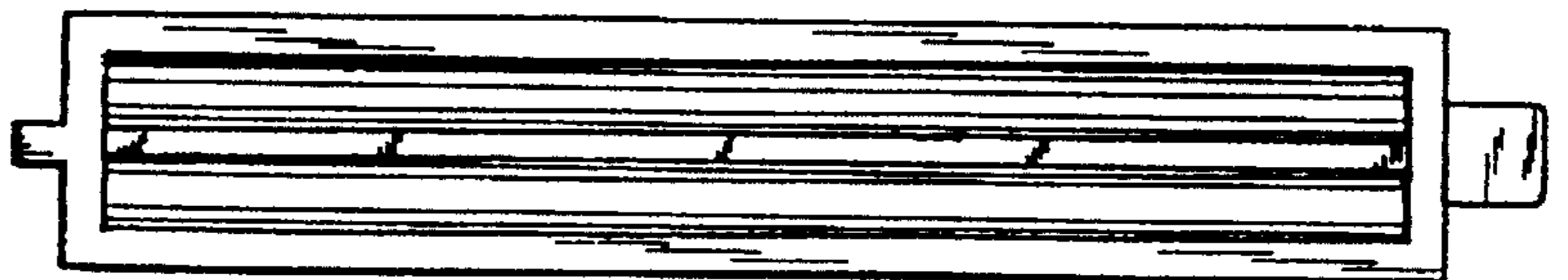
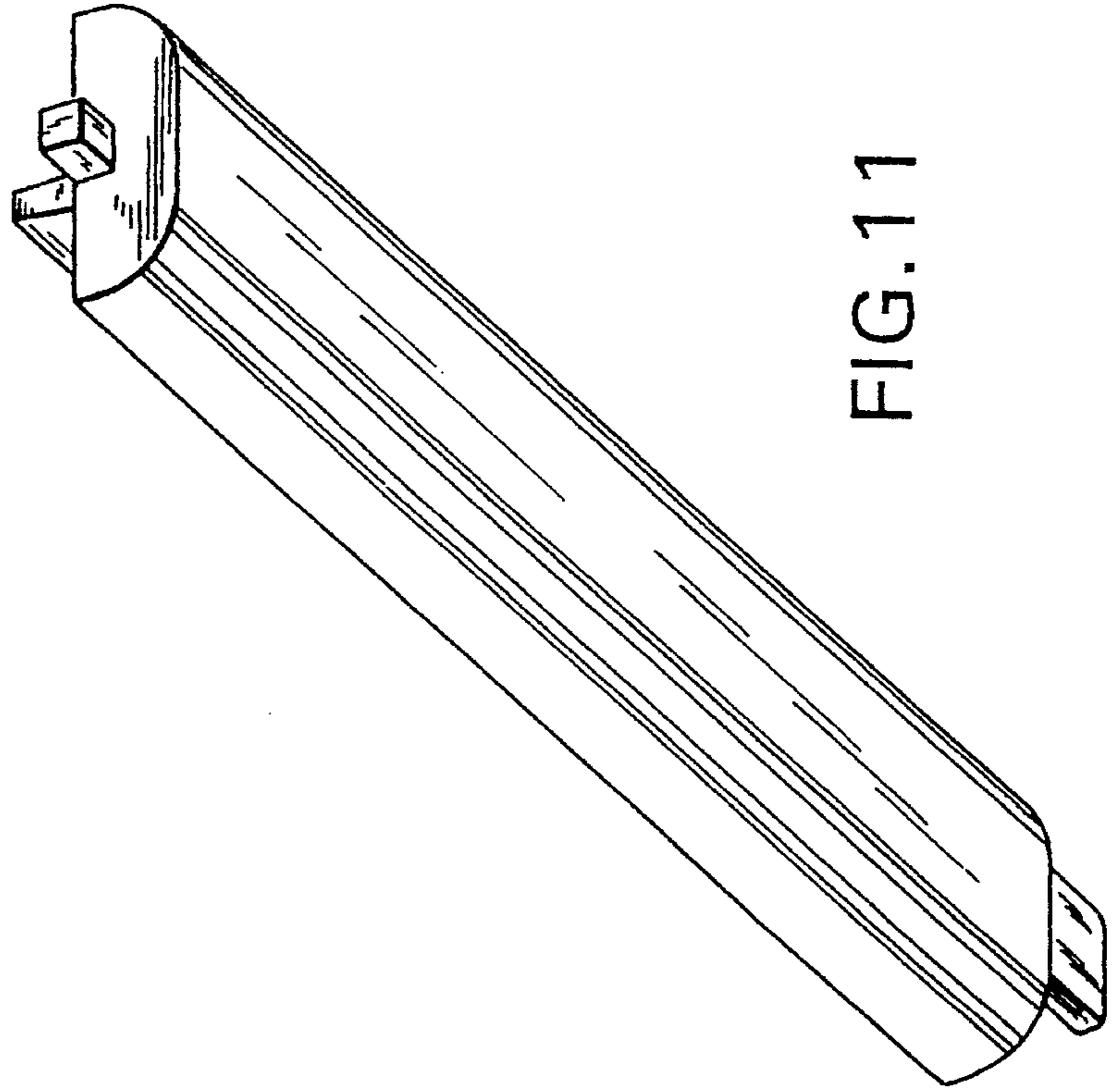


FIG.11



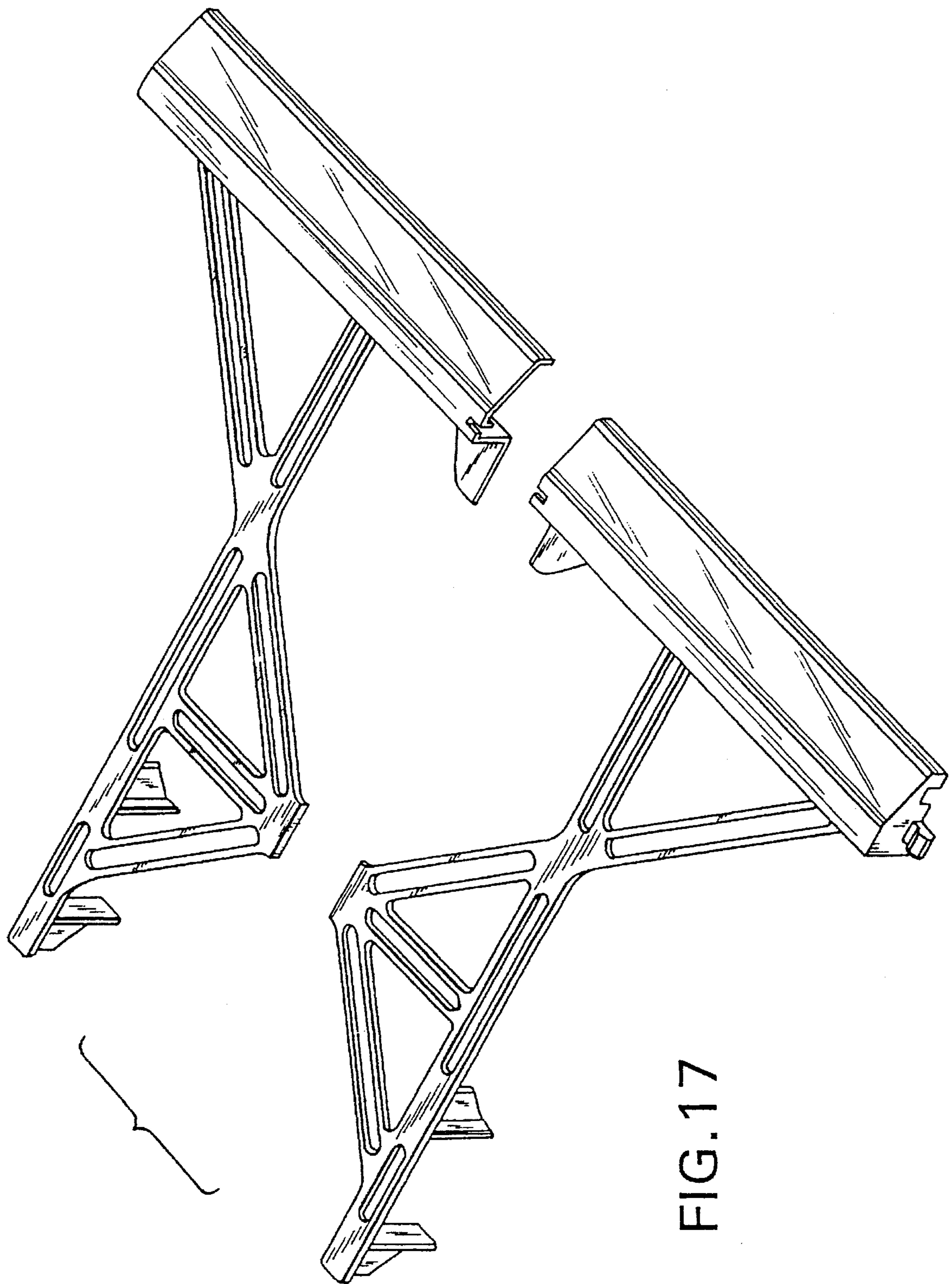


FIG.17

UNITED STATES PATENT AND TRADEMARK OFFICE
CERTIFICATE OF CORRECTION

PATENT NO. : Des. 374,164
DATED : October 1, 1996
INVENTOR(S) : Jon H. Eickhoff

Page 1 of 1

It is certified that error appears in the above-identified patent and that said Letters Patent is hereby corrected as shown below:

Title page.

Under Item [57], **CLAIM**, cancel the description of Figures 2-17 and replace with --
Fig. 2 is a top, left side, rear isometric view thereof;
Fig. 3 is a top, left side, front isometric view of the horizontal block spacer component;
Fig. 4, is a bottom, right, rear isometric view thereof;
Fig. 5 is an enlarged top view thereof;
Fig. 6 is a front elevational view thereof;
Fig. 7 is a left side elevational view thereof;
Fig. 8 is a right side elevational view thereof;
Fig. 9 is a rear elevational view thereof;
Fig. 10 is a bottom view thereof;
Fig. 11 is an enlarged top, left side, front isometric view of a vertical spacer component of the block spacer unit;
Fig. 12 is a front elevational view thereof;
Fig. 13 is a top view thereof;
Fig. 14 is a right side elevational view thereof;
Fig. 15 is a bottom view; thereof;
Fig. 16 is a rear elevational view thereof; and
Fig. 17 is a top, left side, front isometric view of two separated half block spacer components of the block spacer unit shown separated for clarity of illustration. --

Column 2,

Line 25, replace "full" with -- fully --.

Signed and Sealed this

Twenty-eighth Day of June, 2005

A handwritten signature in black ink on a dotted background. The signature reads "Jon W. Dudas" in a cursive style.

JON W. DUDAS

Director of the United States Patent and Trademark Office