



US00D374161S

United States Patent [19] Gold

[11] Patent Number: **Des. 374,161**

[45] Date of Patent: ****Oct. 1, 1996**

[54] **UTILITY KNIFE WITH SIDE AND FRONT GRIPS**

4,546,546 10/1985 Kleger et al. D8/98
5,337,481 8/1994 Mears 30/162

[76] Inventor: **Peter Gold**, 465 N. Wood Rd.,
Rockville Centre, N.Y. 11570

Primary Examiner—Ted Shooman
Assistant Examiner—Adir Aronovich

[**] Term: **14 Years**

[57] **CLAIM**

[21] Appl. No.: **38,892**

The ornamental design for utility knife with side and front grips, as shown and described.

[22] Filed: **May 15, 1995**

DESCRIPTION

[52] U.S. Cl. **D8/99**

[58] Field of Search D8/98, 99, 107,
D8/303; 30/2, 162, 335, 340, 294

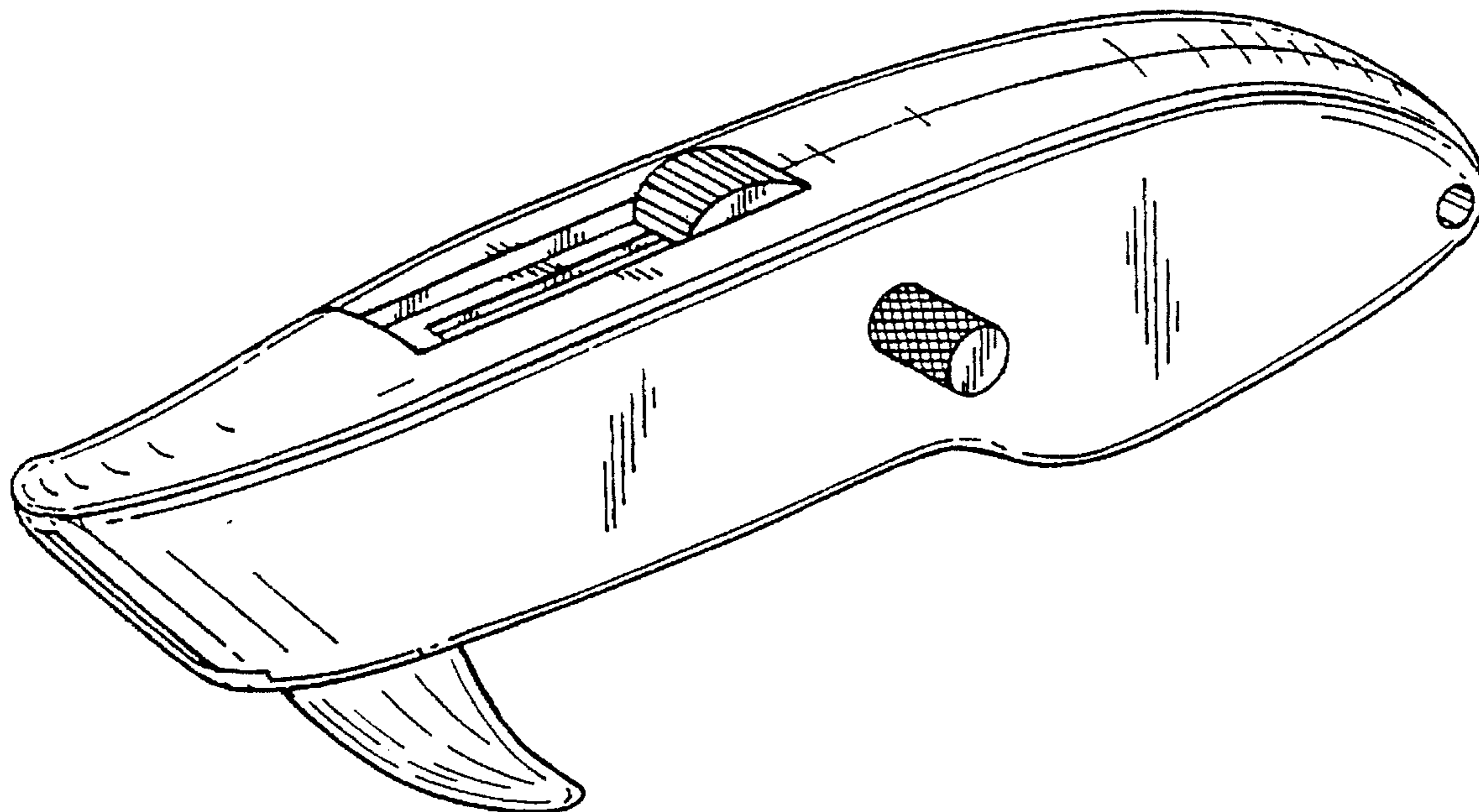
FIG. 1 is a perspective view of utility knife with side and front grips showing my new design;
FIG. 2 is a left side elevational view thereof;
FIG. 3 is a right side elevational view thereof;
FIG. 4 is a top view thereof;
FIG. 5 is a bottom view thereof;
FIG. 6 is a front view thereof; and,
FIG. 7 is a rear view thereof.

[56] References Cited

U.S. PATENT DOCUMENTS

D. 249,325	9/1978	Rollband	D8/99
D. 319,378	8/1991	Wilcox	D8/99
D. 346,730	5/1994	Quiros	D8/99
3,107,426	10/1963	Robinson, Jr.	30/162

1 Claim, 2 Drawing Sheets



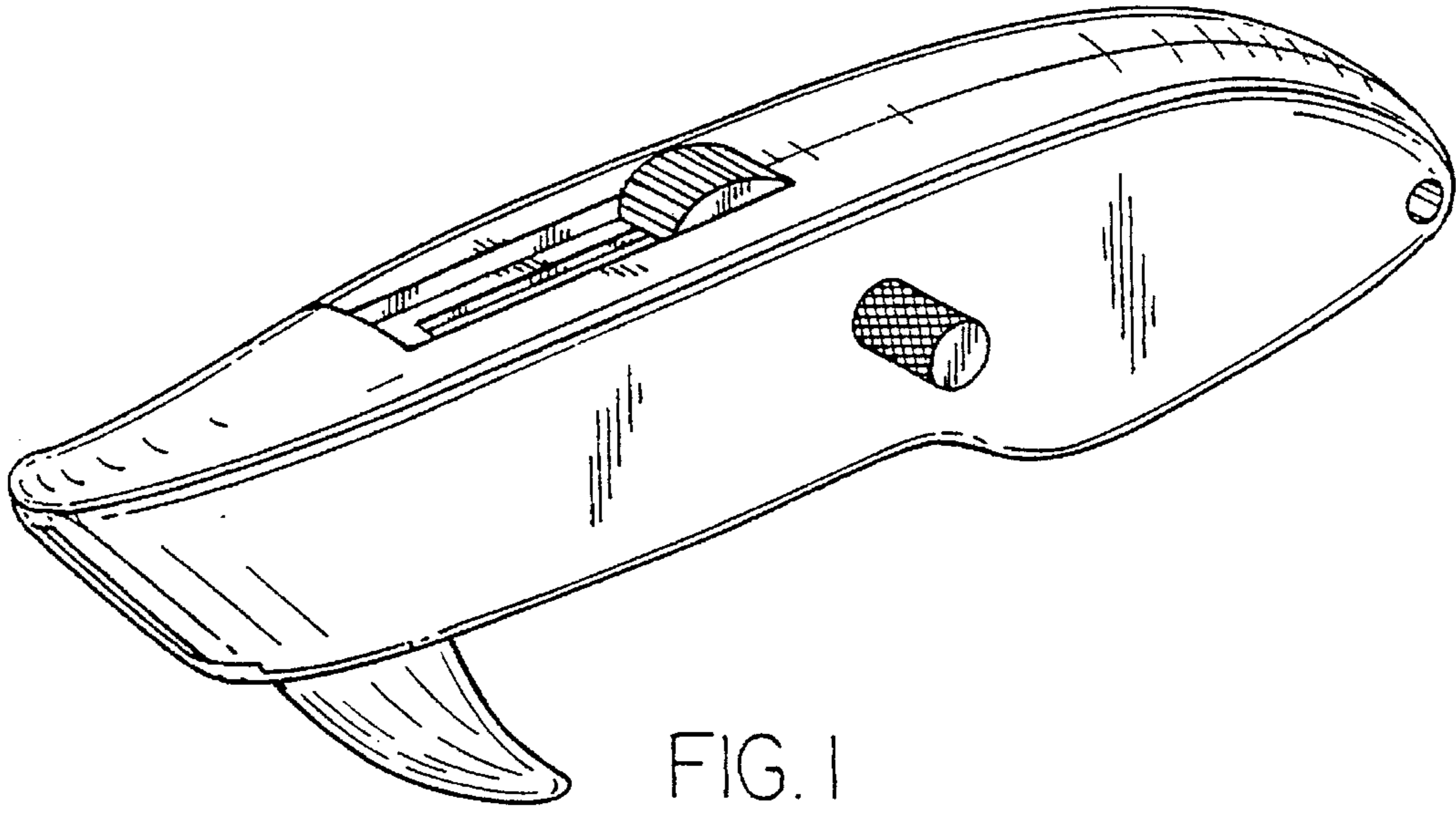


FIG. 1

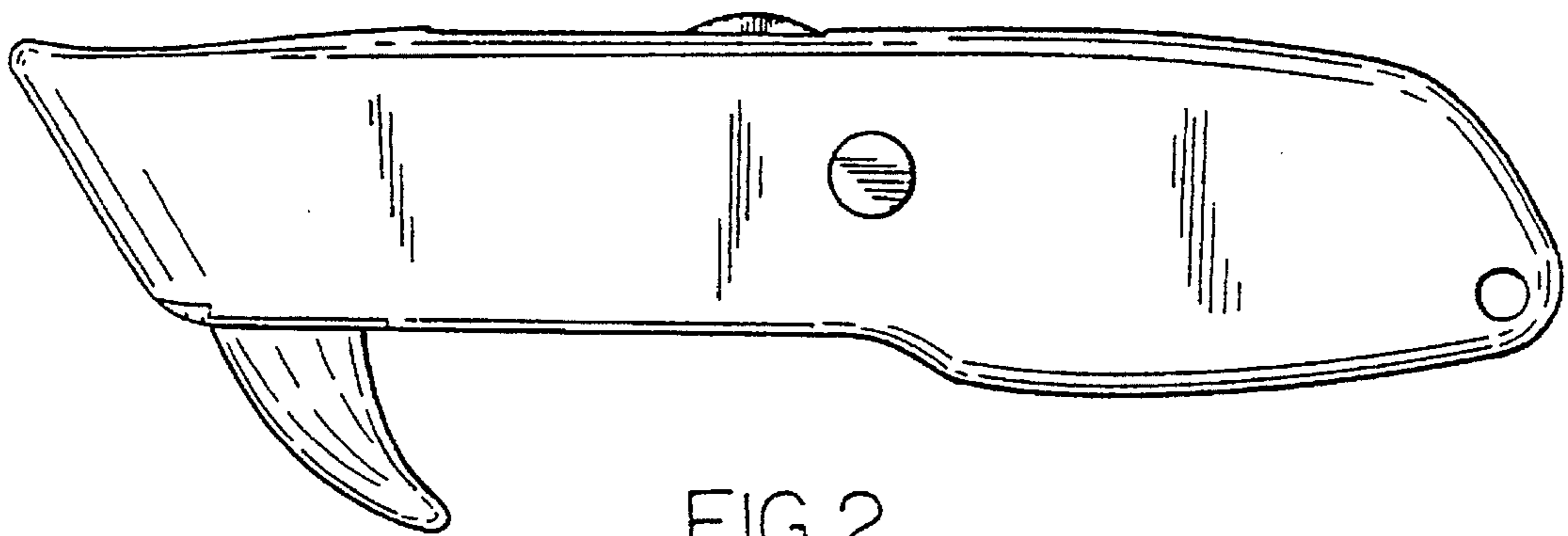


FIG. 2

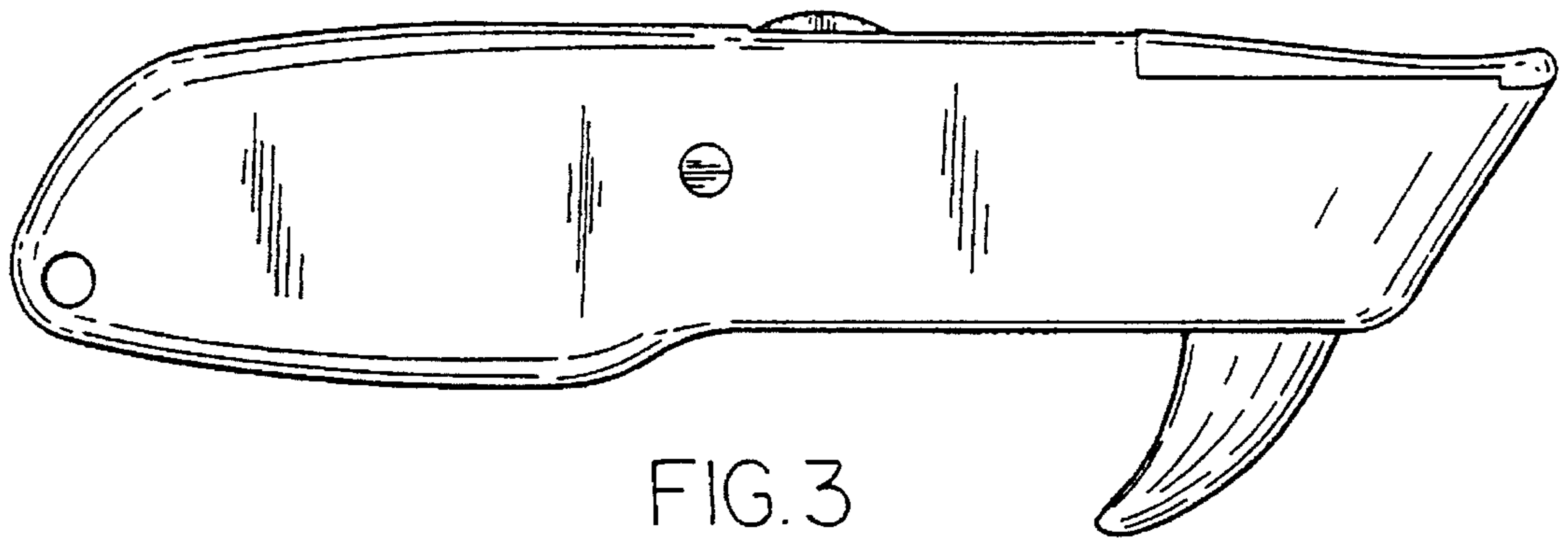


FIG. 3

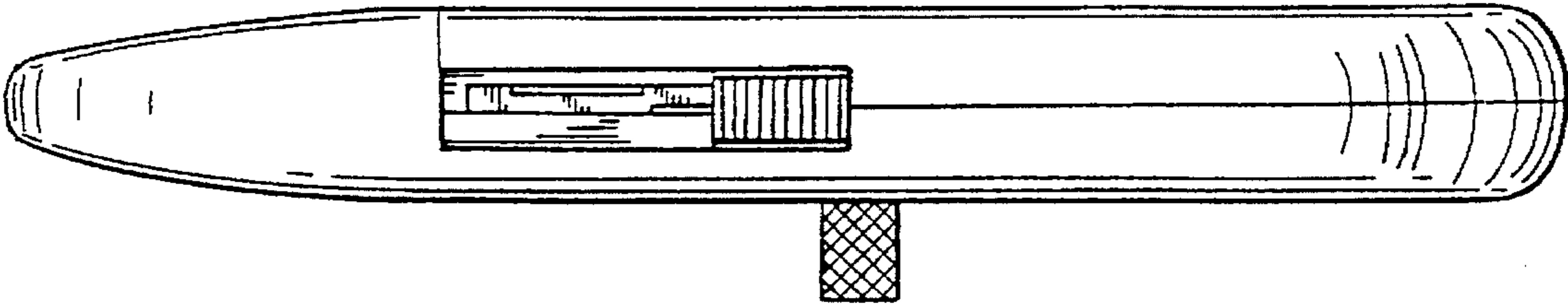


FIG. 4

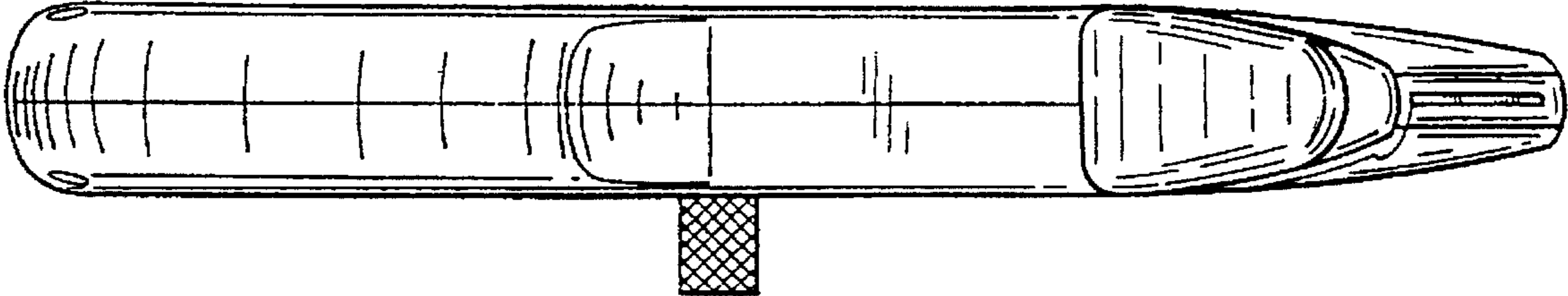


FIG. 5

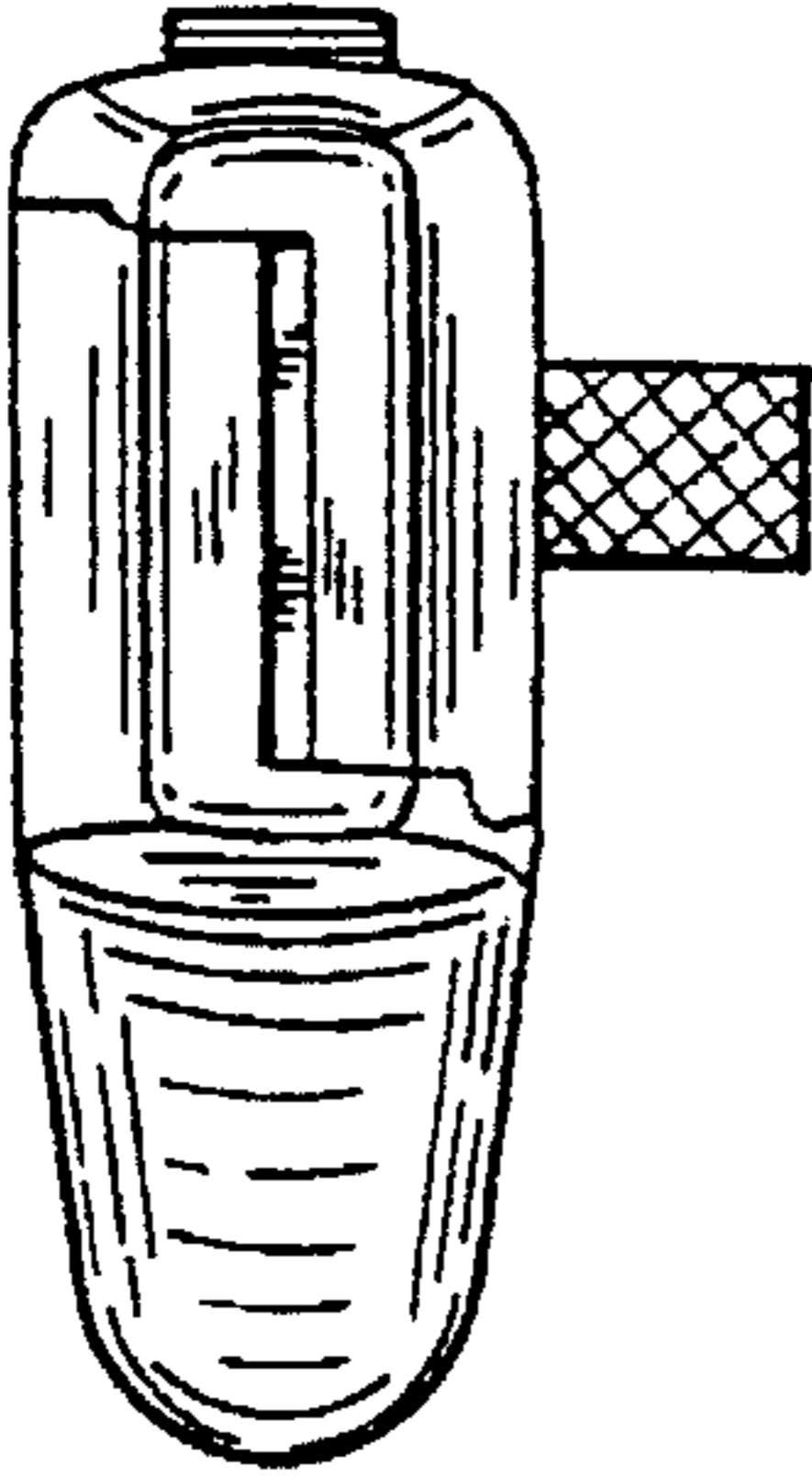


FIG. 6

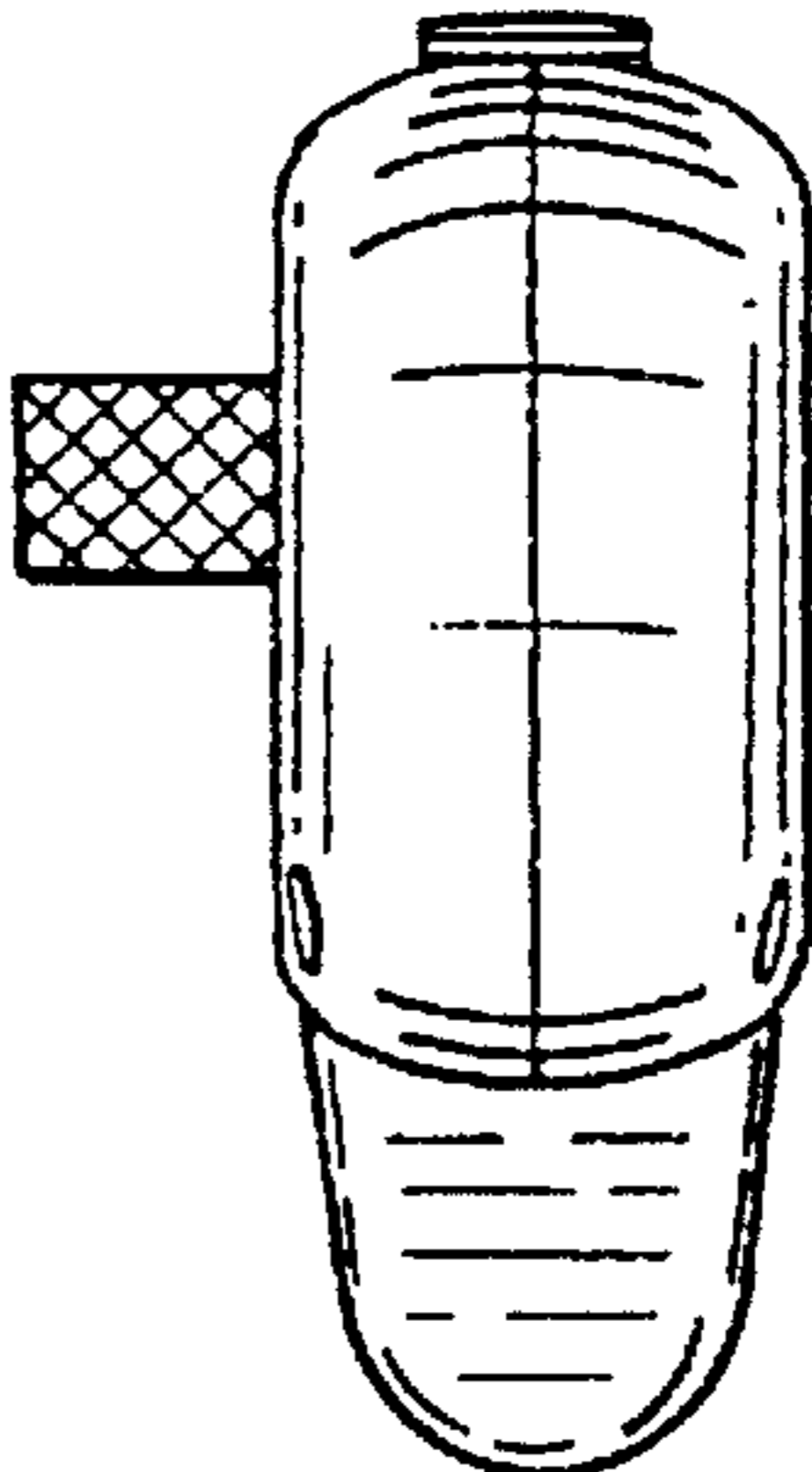


FIG. 7