



US00D374160S

# United States Patent [19]

Virost et al.

[11] Patent Number: **Des. 374,160**

[45] Date of Patent: **\*\*Oct. 1, 1996**

[54] **SANDING TOOL**  
[75] Inventors: **Randal F. Virost**, North Olmsted;  
**Kevin C. Ditto**, Lakewood, both of  
Ohio

[73] Assignee: **Lumberton Industries, Inc.**, North  
Olmsted, Ohio

[\*\*] Term: **14 Years**

[21] Appl. No.: **36,209**

[22] Filed: **Mar. 15, 1995**

[52] U.S. Cl. .... **D8/90**

[58] Field of Search ..... D8/90, 91; 451/519,  
451/520, 521, 522, 523, 524, 525

[56] **References Cited**

**U.S. PATENT DOCUMENTS**

D. 305,400	1/1990	Petrovich	.....	D8/90
2,457,466	12/1948	Hanna	.	
2,761,257	9/1956	Mendelsohn	.....	451/523
2,808,687	10/1957	Brown	.....	451/523
3,014,316	12/1961	Barnhart	.....	451/523
3,063,208	11/1962	Bell et al.	.....	451/523
3,106,806	10/1963	Hutchins	.....	451/523

3,510,991	5/1970	Bowen	.....	451/523
3,871,141	3/1975	Bonapace	.....	451/523
4,242,843	1/1981	Phillips	.....	451/523
4,525,959	7/1985	Ziebarth et al.	.	
4,730,430	3/1988	Petrovich	.....	451/519
5,383,308	1/1995	Beloff et al.	.....	451/523

*Primary Examiner*—Philip S. Hyder  
*Attorney, Agent, or Firm*—Pearne, Gordon, McCoy &  
Granger

[57] **CLAIM**

The ornamental design for a sanding tool, as shown and described.

**DESCRIPTION**

FIG. 1 is a perspective view of a sanding tool, showing our new design;

FIG. 2 is a side elevational view thereof;

FIG. 3 is a top plan view thereof;

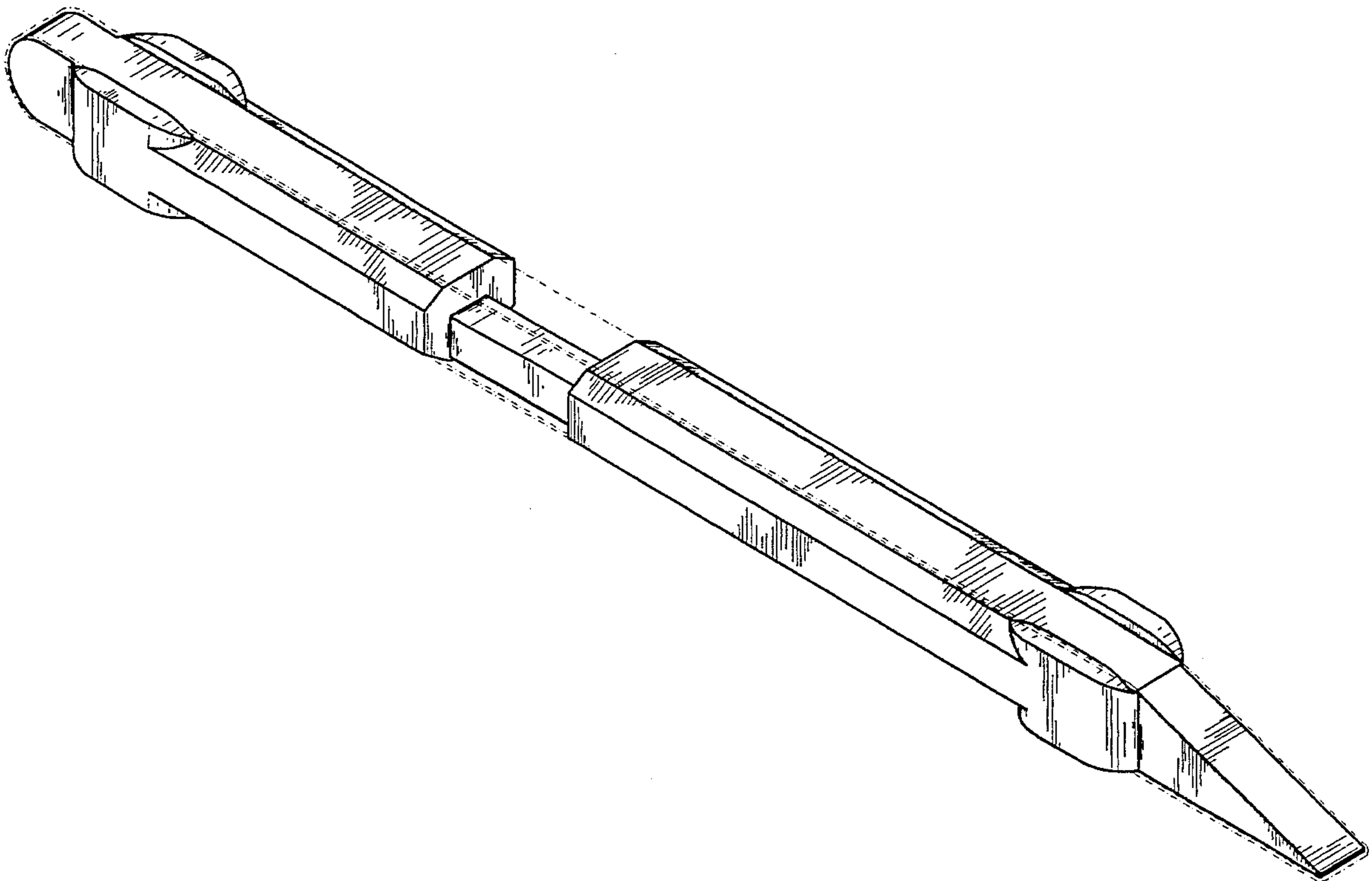
FIG. 4 is a bottom plan view thereof;

FIG. 5 is a front end view thereof; and,

FIG. 6 is a rear end view thereof.

The broken line showing of sanding strip in FIG. 1 is for illustrative purposes only and forms no part of the claimed design.

**1 Claim, 2 Drawing Sheets**



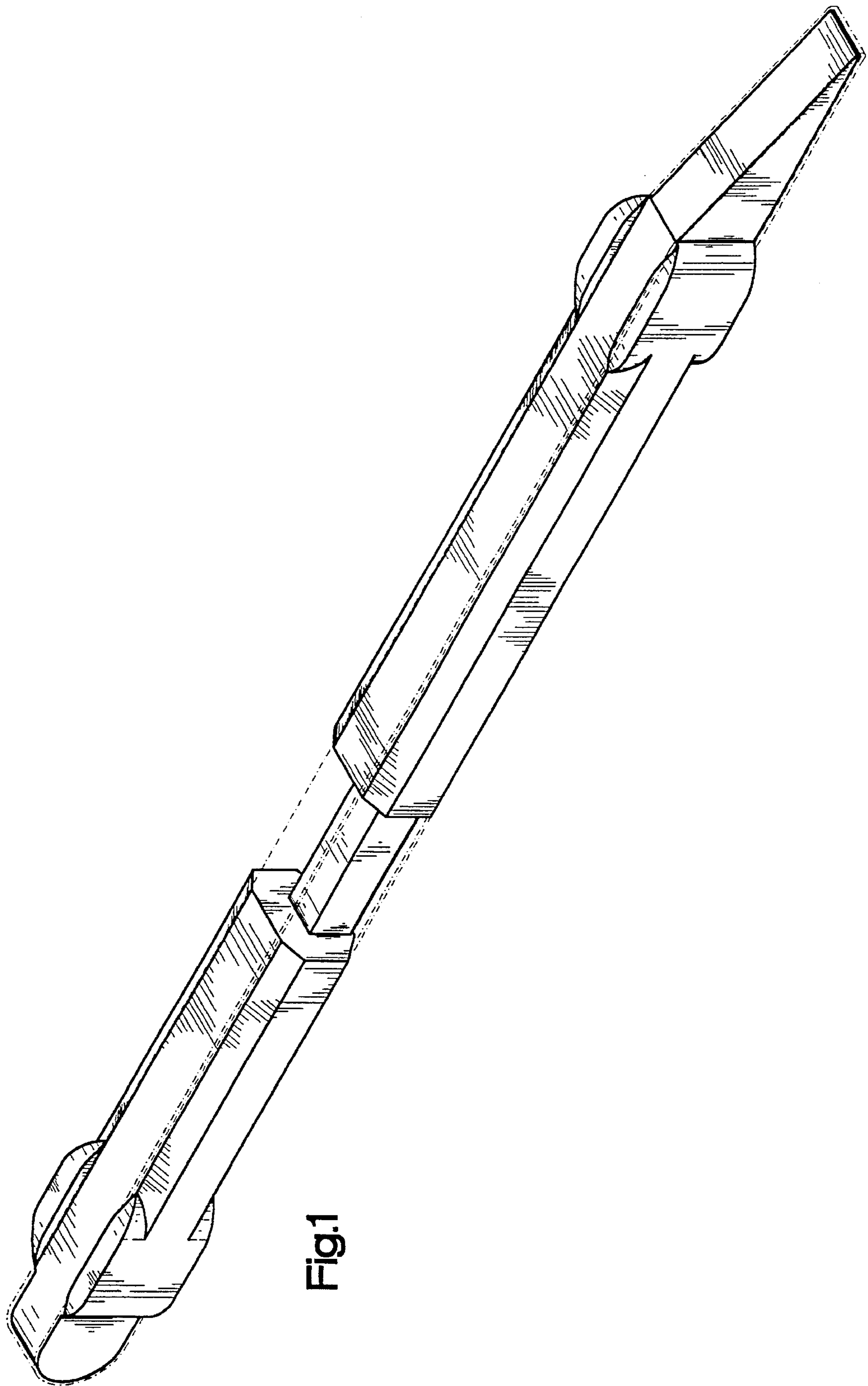


Fig.1

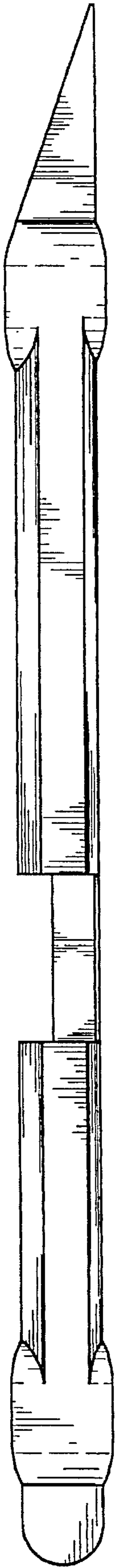


Fig. 2

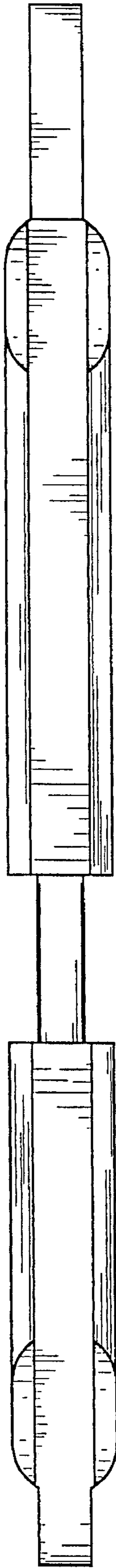


Fig. 3

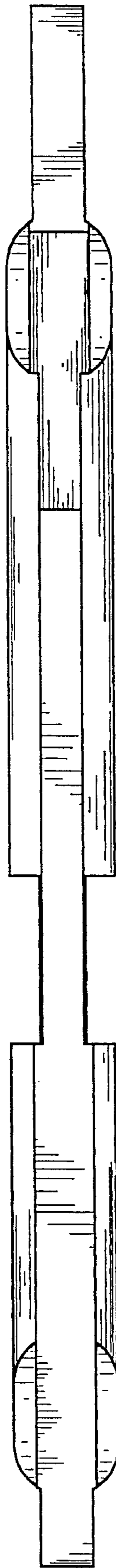


Fig. 4

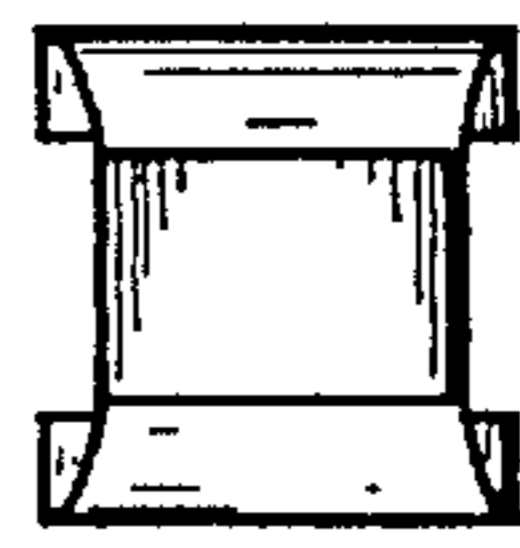


Fig. 6

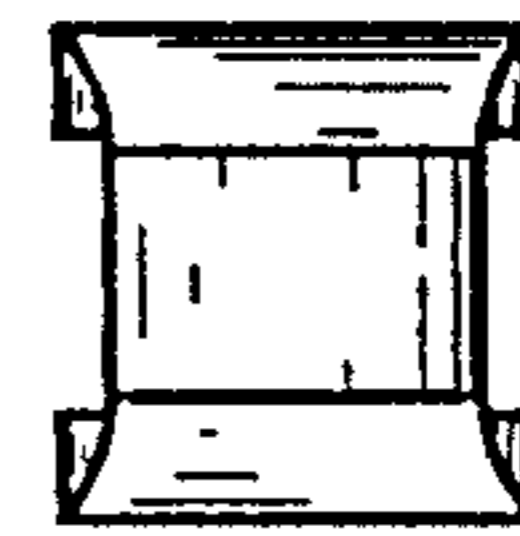


Fig. 5