



US00D374159S

United States Patent [19] Chiang

[11] Patent Number: **Des. 374,159**

[45] Date of Patent: ****Oct. 1, 1996**

[54] **ELECTRIC CHISEL**

[75] Inventor: **Chi-kin Chiang**, Anderson, S.C.

[73] Assignee: **Ryobi North America**, Easley, S.C.

[**] Term: **14 Years**

[21] Appl. No.: **33,609**

[22] Filed: **Jan. 17, 1995**

[52] U.S. Cl. **D8/61; D8/62**

[58] Field of Search **D8/30, 61, 62; D18/14; 30/228, 272.1, 277.4; 173/49, 163, 170, 217; 407/15, 25, 33, 66; 451/358, 359; 606/169**

[56] **References Cited**

U.S. PATENT DOCUMENTS

D. 254,048	1/1980	Hauenstein	D7/139
D. 291,581	8/1987	Adams	D18/14
D. 308,622	6/1990	Fushiya et al.	D8/30
D. 310,160	8/1990	Patel	D8/61
D. 310,470	9/1990	Tohdoh	D8/62
D. 320,727	10/1991	Fushiya et al.	D8/62
D. 333,077	2/1993	Mikiya	D8/62
D. 336,729	6/1993	Kishi	38/62
3,049,803	8/1962	Danger	30/228
3,832,776	9/1974	Sawyer	30/272

3,935,909	2/1976	Mabuchi et al.	173/217
4,644,952	2/1987	Patipa et al.	128/305
5,042,592	8/1991	Fisher	173/109
5,165,488	11/1992	Liu	173/49
5,275,607	1/1994	Lo et al.	606/169

OTHER PUBLICATIONS

Harbor Freight Industrial Commerical Division "Tools For The Professional" catalog (Summer, 1996) admitted prior art.

Primary Examiner—B. J. Bullock
Assistant Examiner—Robert M. Spear
Attorney, Agent, or Firm—Brooks & Kushman P.C.

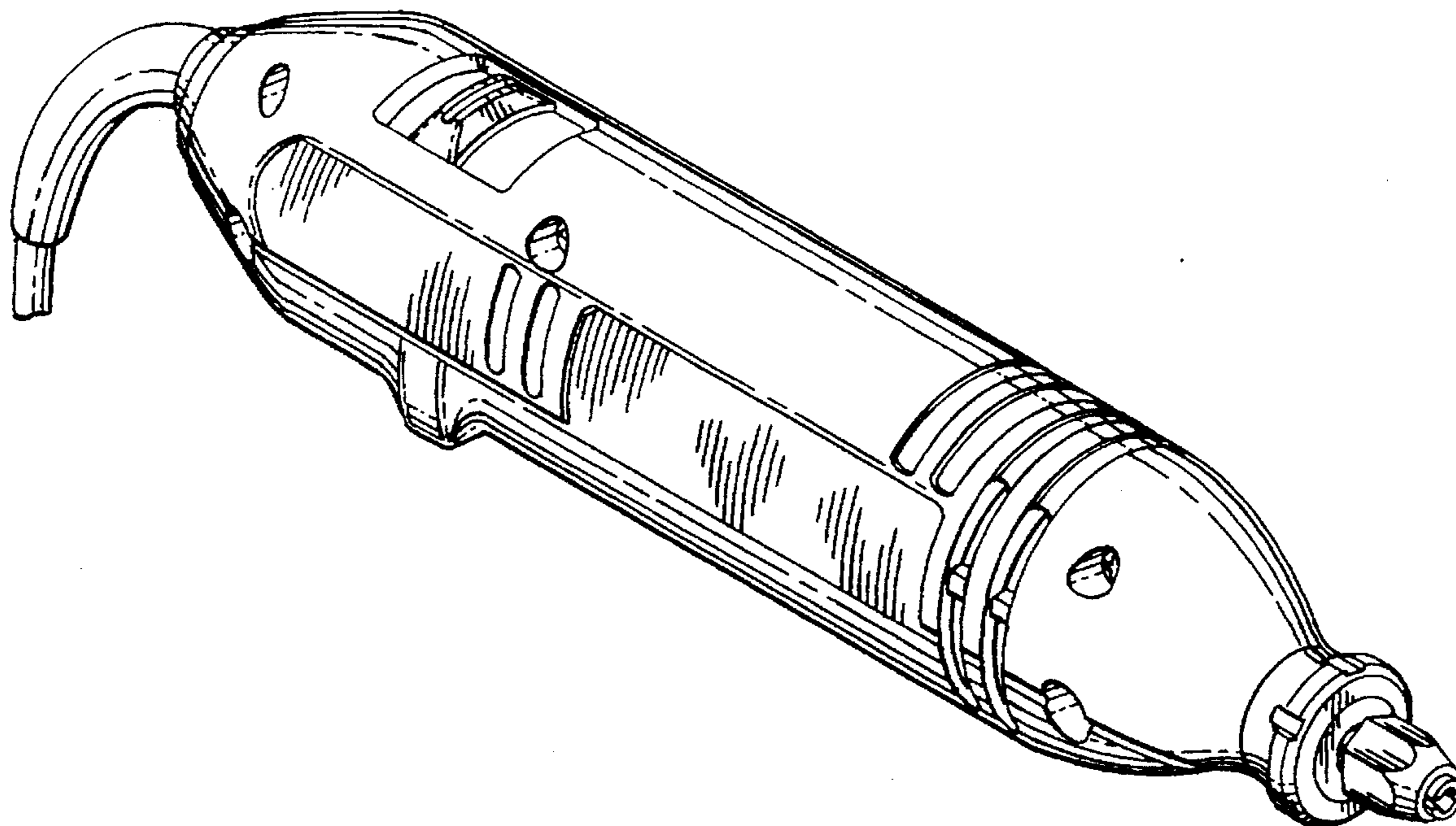
[57] **CLAIM**

The ornamental design for an electric chisel, as shown and described.

DESCRIPTION

FIG. 1 is a perspective view of the electric chisel;
FIG. 2 is a right side elevational view;
FIG. 3 is a rear elevational view;
FIG. 4 is a front elevational view;
FIG. 5 is a left side elevational view;
FIG. 6 is a top plan view; and,
FIG. 7 is a bottom plan view.

1 Claim, 2 Drawing Sheets



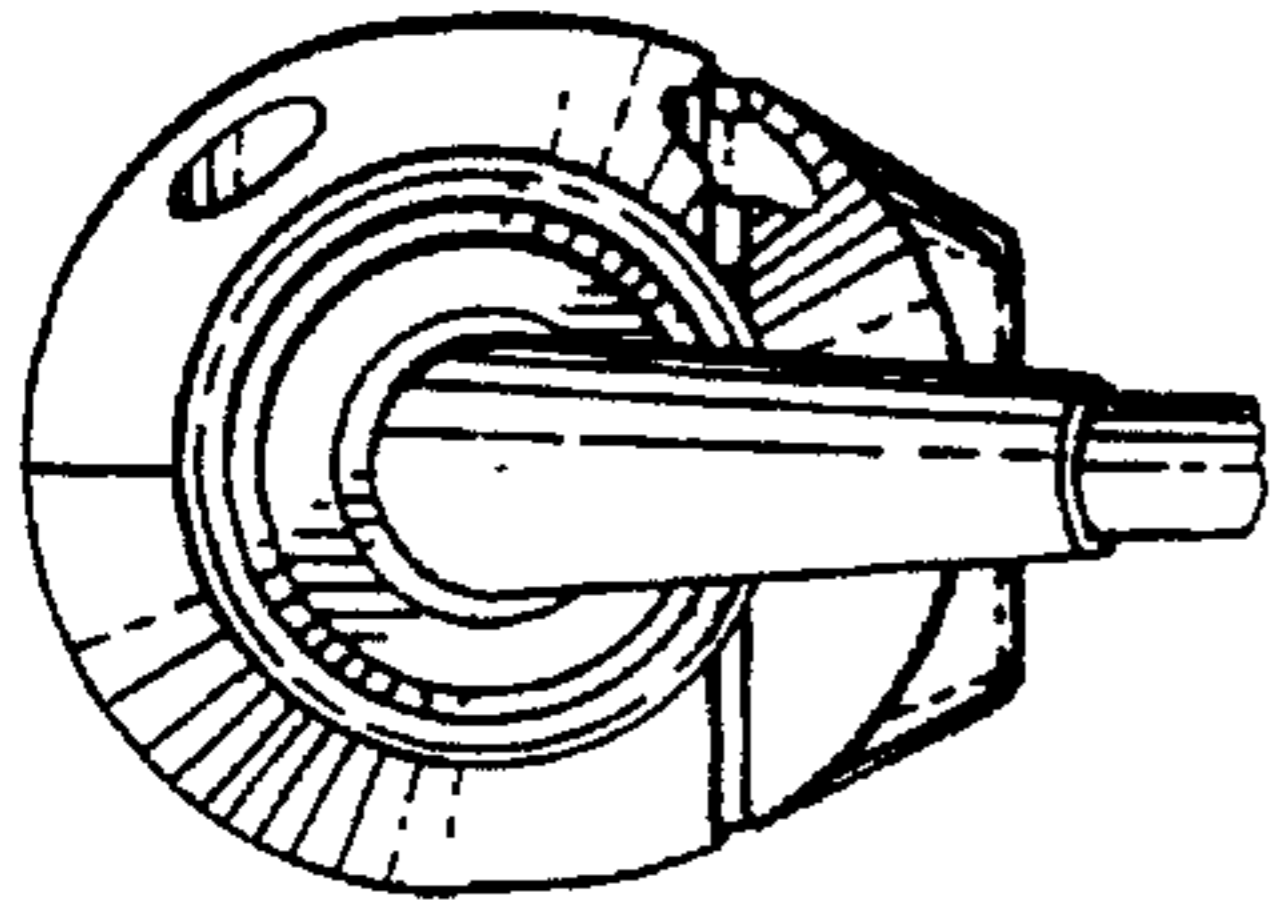


FIG-3

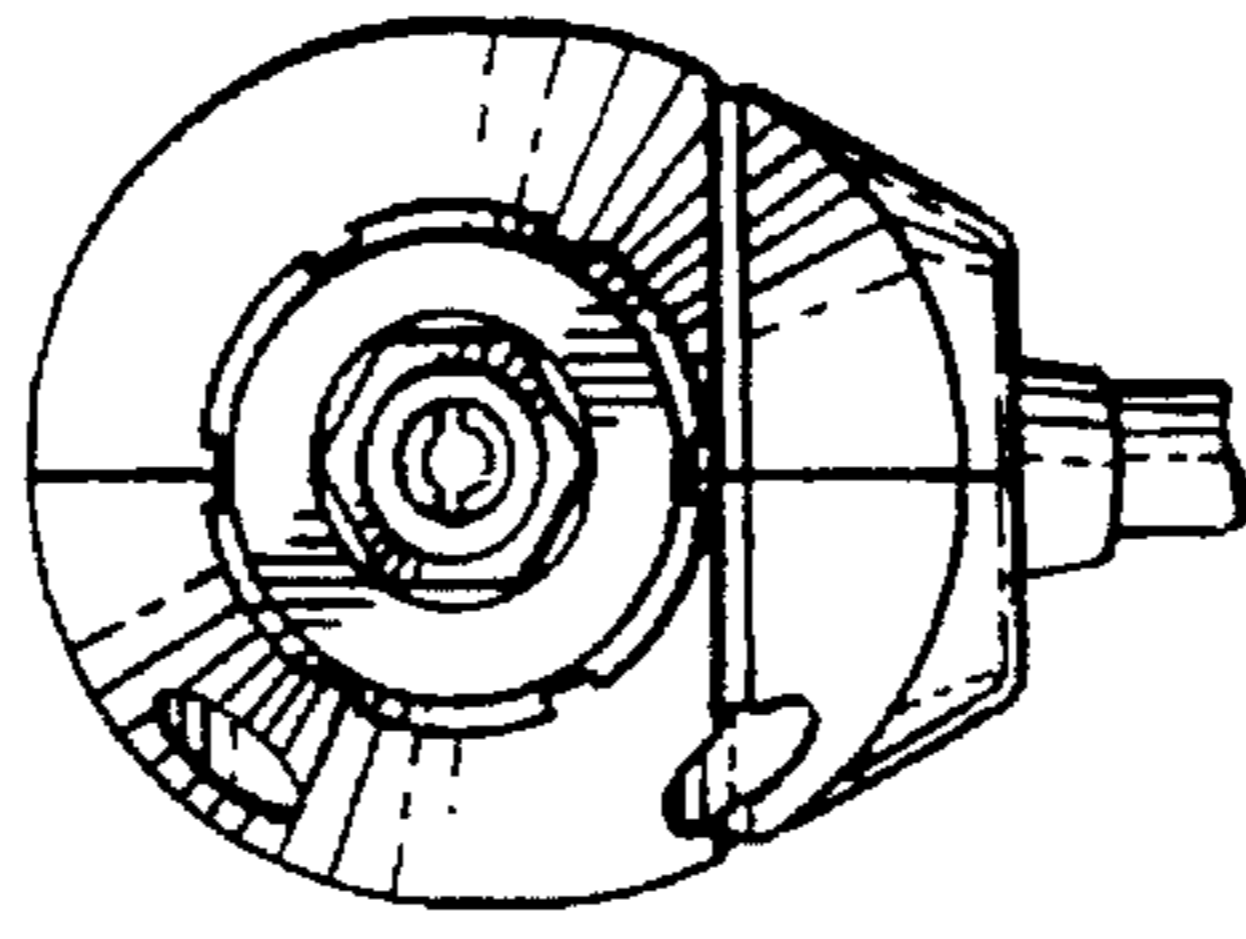


FIG-4

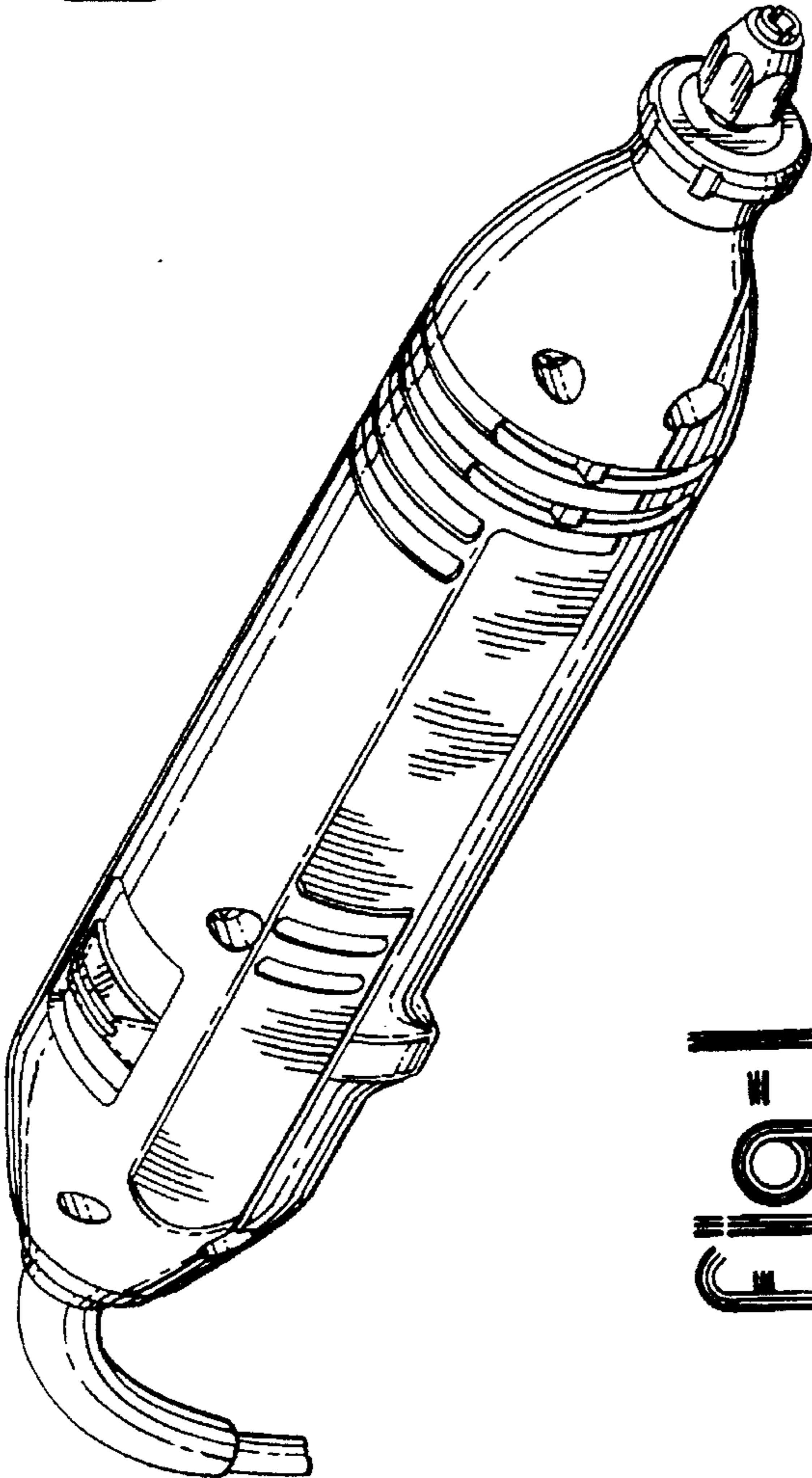


FIG-1

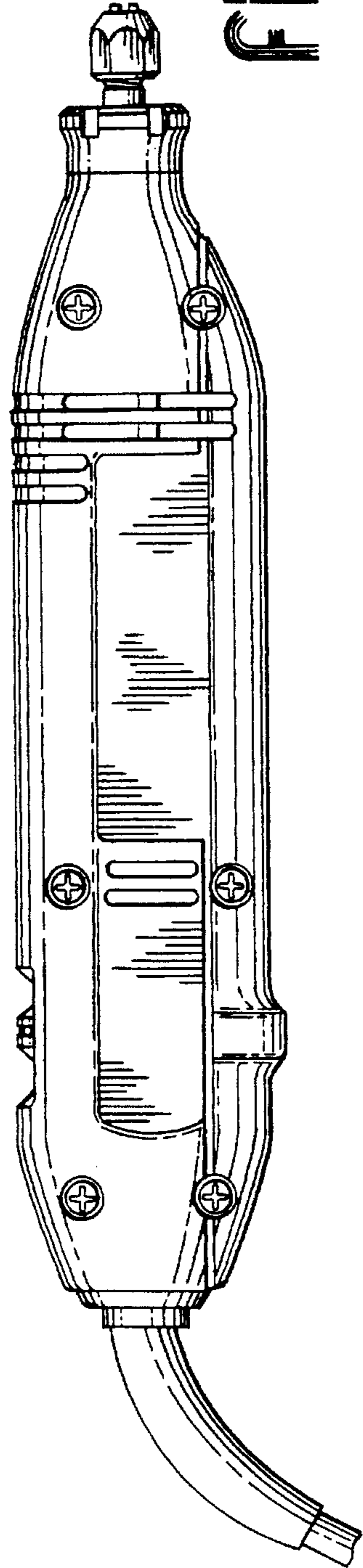
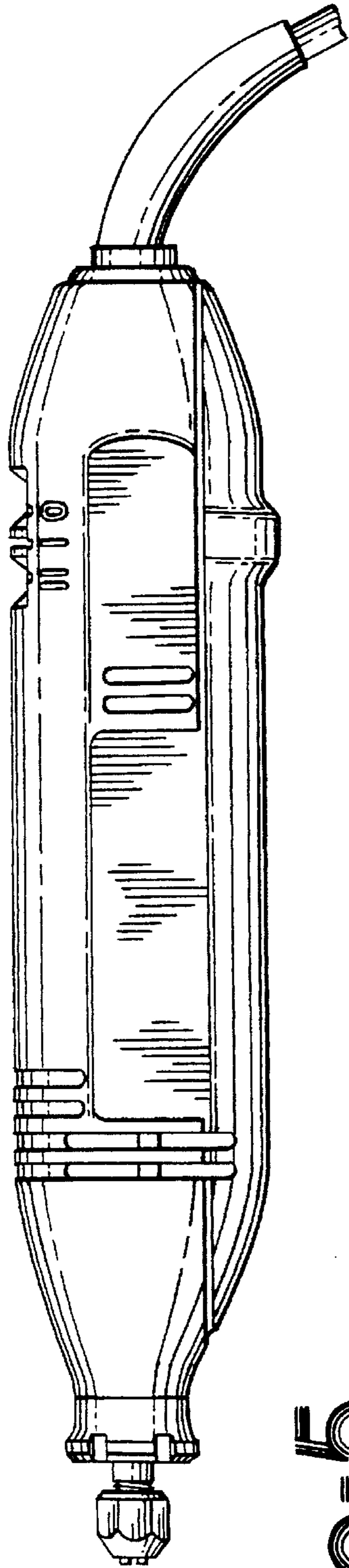
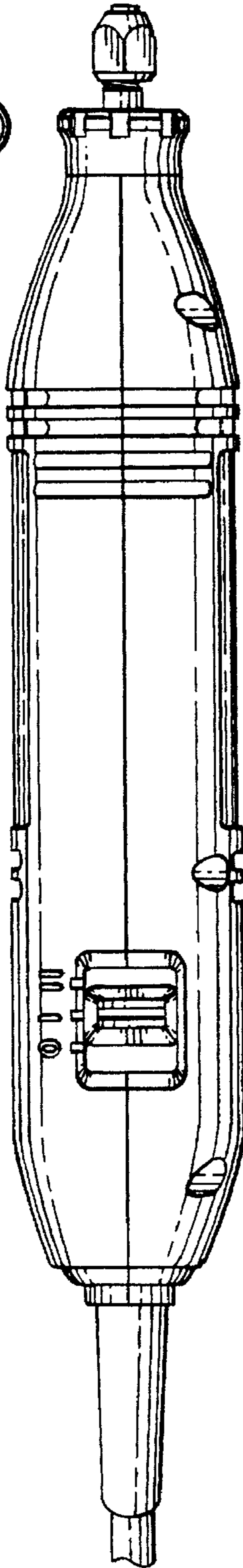


FIG-2



FIG=5

FIG=6



FIG=7

