



US00D374158S

United States Patent [19]

Harris, Jr.

[11] Patent Number: **Des. 374,158**

[45] Date of Patent: ****Oct. 1, 1996**

[54] **COMBINED NAIL DRIVER AND GUIDE**

[76] Inventor: **John L. Harris, Jr.**, Rte. 1 Box 206,
Bristol, Ga. 31518

[**] Term: **14 Years**

[21] Appl. No.: **40,530**

[22] Filed: **Jun. 21, 1995**

[52] U.S. Cl. **D8/51**

[58] Field of Search D8/10, 14, 51,
D8/75, 83, 107, 303; 16/110 R, 111 R,
116 R; 81/44, 489; 227/113, 147, 149

[56] **References Cited**

U.S. PATENT DOCUMENTS

D. 37,992	5/1906	Tower	D8/82
D. 235,968	7/1975	Main	D8/75
D. 260,354	8/1981	Proops et al.	D8/61
D. 323,272	1/1992	Dion	D8/49
D. 328,843	8/1992	Marzano	D8/70
D. 367,212	2/1996	Blacha	D8/51
2,587,944	3/1952	Williams	1/47
2,829,370	4/1958	Humbert	1/47
3,036,482	5/1962	Kenworthy et al.	82/52.35
3,384,408	5/1968	Furzey	D8/14
3,522,827	8/1970	Muller	145/46
3,682,213	8/1972	Litz	145/46
3,979,040	9/1976	Denin	227/113
4,171,565	10/1979	Boudreau et al.	29/739
4,197,974	4/1980	Morton et al.	227/86
4,483,475	11/1984	Whitaker	227/147

4,493,353	1/1985	Thomas	145/46
4,660,235	4/1987	Plume	3/38
4,821,419	4/1989	Lee	30/49.3
4,967,623	11/1990	Jackson	81/44
5,181,644	1/1993	Ferrell	227/147

Primary Examiner—Terry A. Wallace
Assistant Examiner—Adir Aronovich
Attorney, Agent, or Firm—John D. Gugliotta

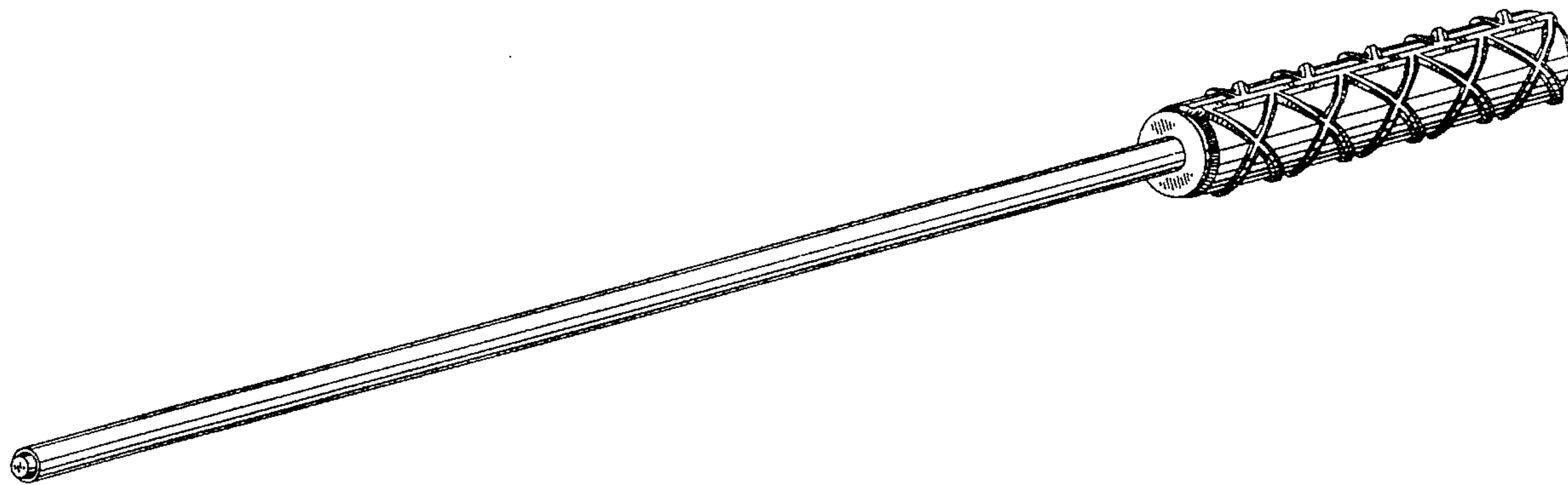
[57] **CLAIM**

The ornamental design for a combined nail driver and guide, as shown and described.

DESCRIPTION

FIG. 1 is a perspective view of a combined nail driver and guide in a engaged configuration showing my new design; FIG. 2 is a reverse perspective view of a combined nail driver and guide in a disengaged configuration showing my new design; FIG. 3 is a side view thereof; FIG. 4 is a top view thereof; FIG. 5 is a front view thereof; FIG. 6 is a rear view thereof; and, FIG. 7 is a perspective view of a combined nail driver and guide in a disengaged configuration showing my new design wherein the nail driver handle is further removed from the nail driver shaft. The broken lines indicate the order of assembly of combined nail driver and guide and form no part of the claimed design.

1 Claim, 3 Drawing Sheets



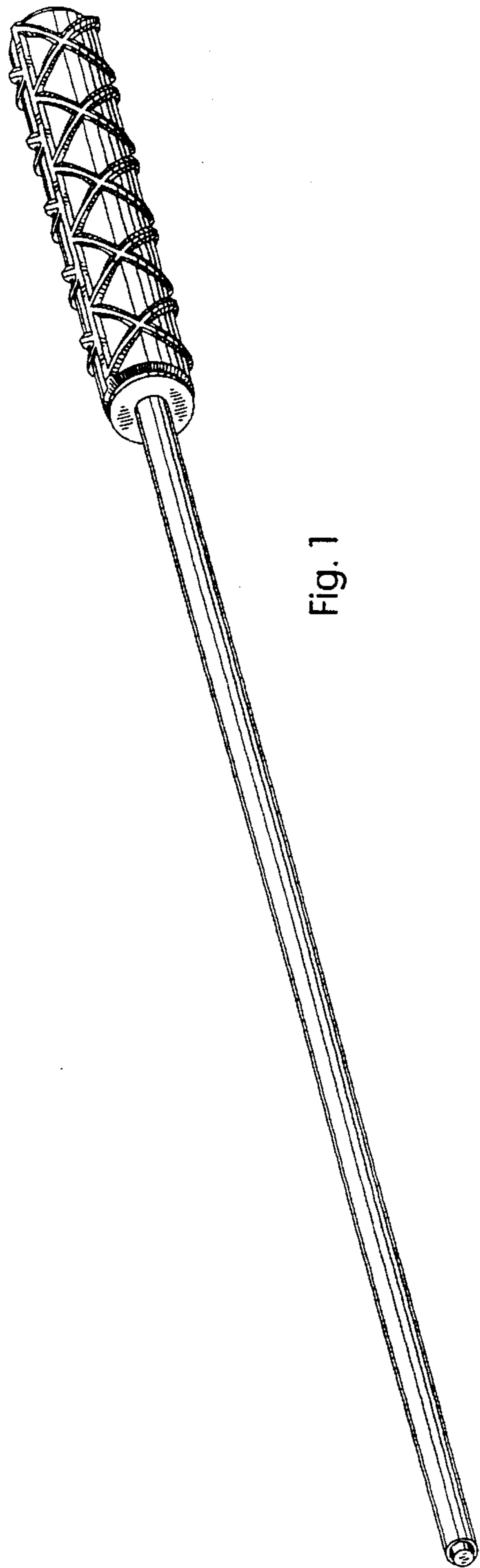


Fig. 1

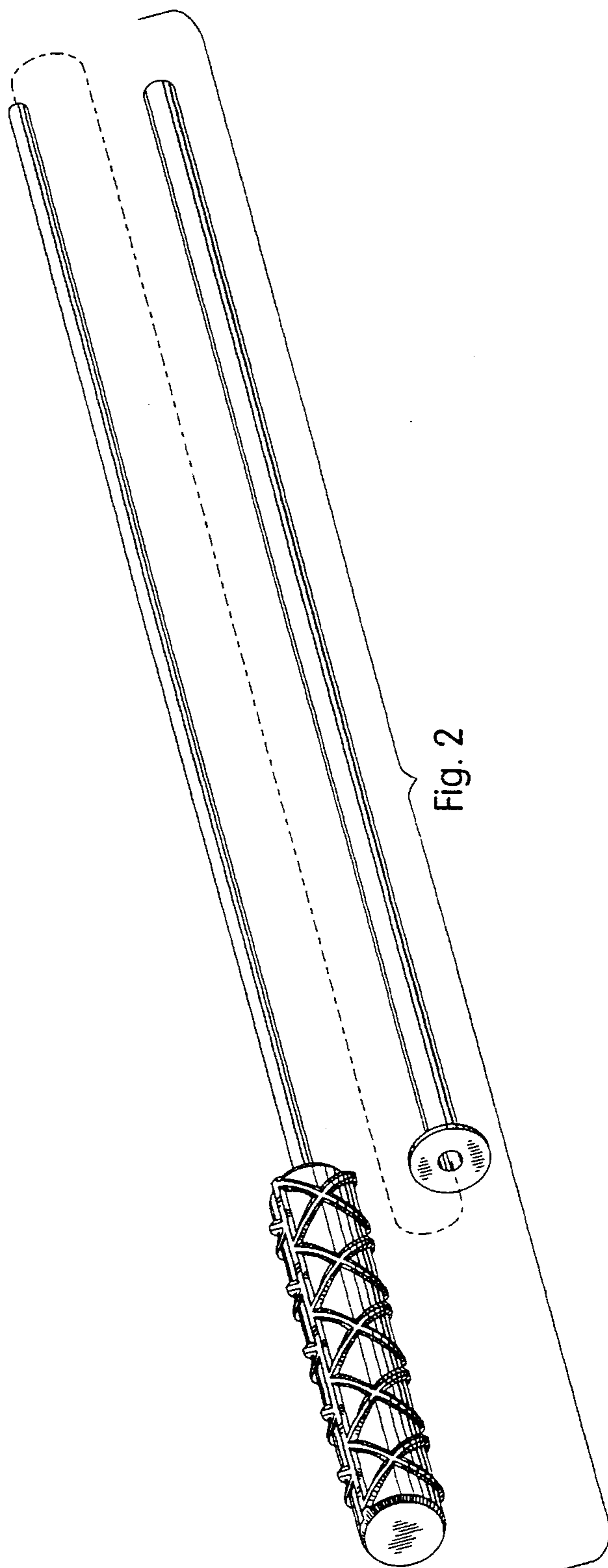
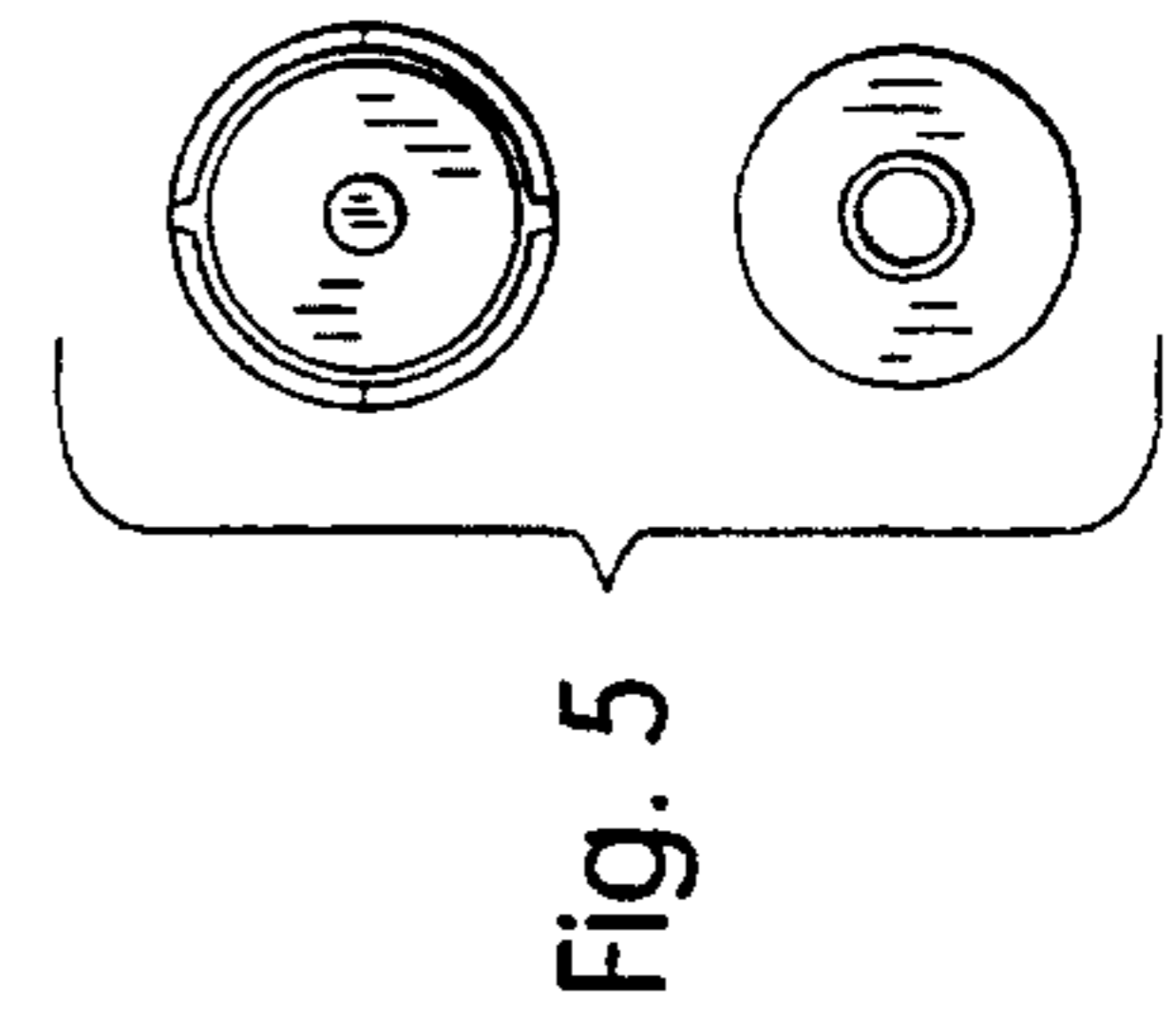
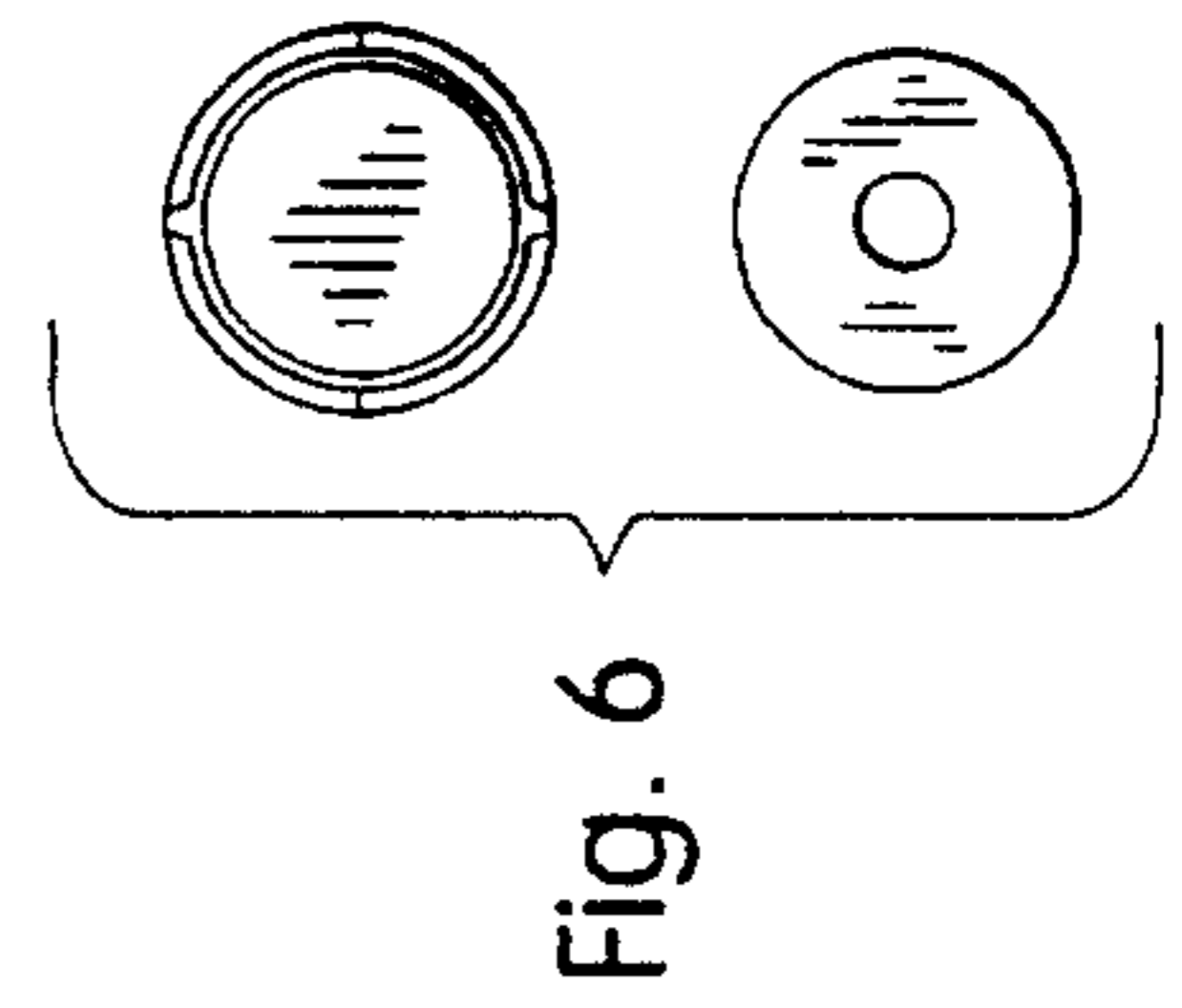
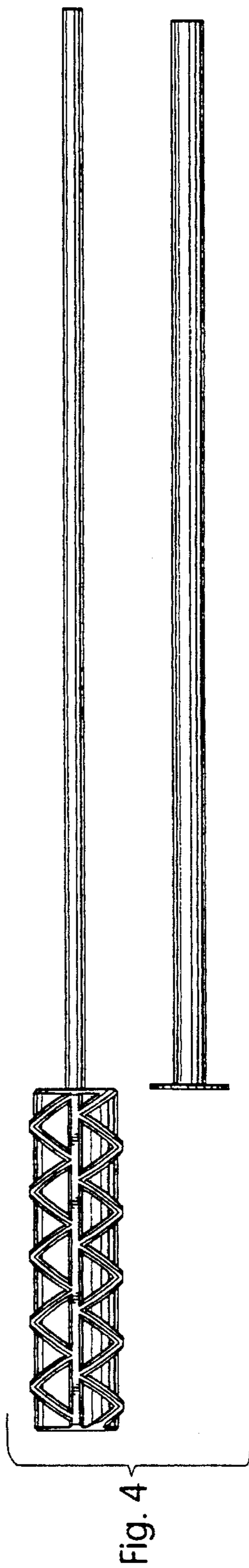
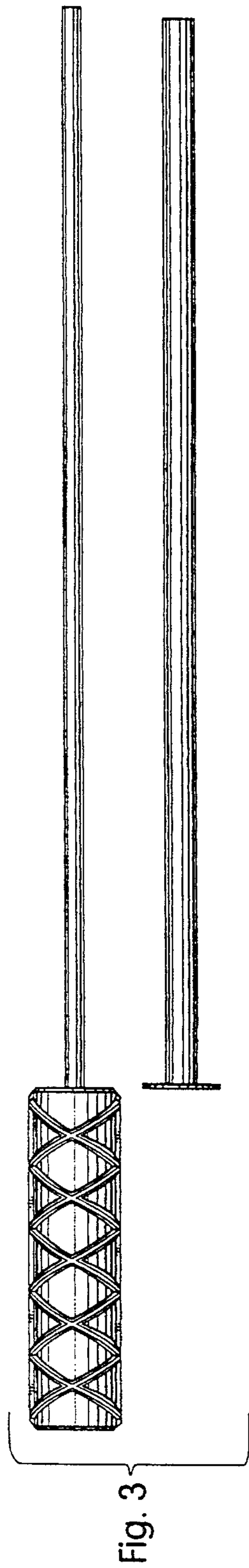


Fig. 2



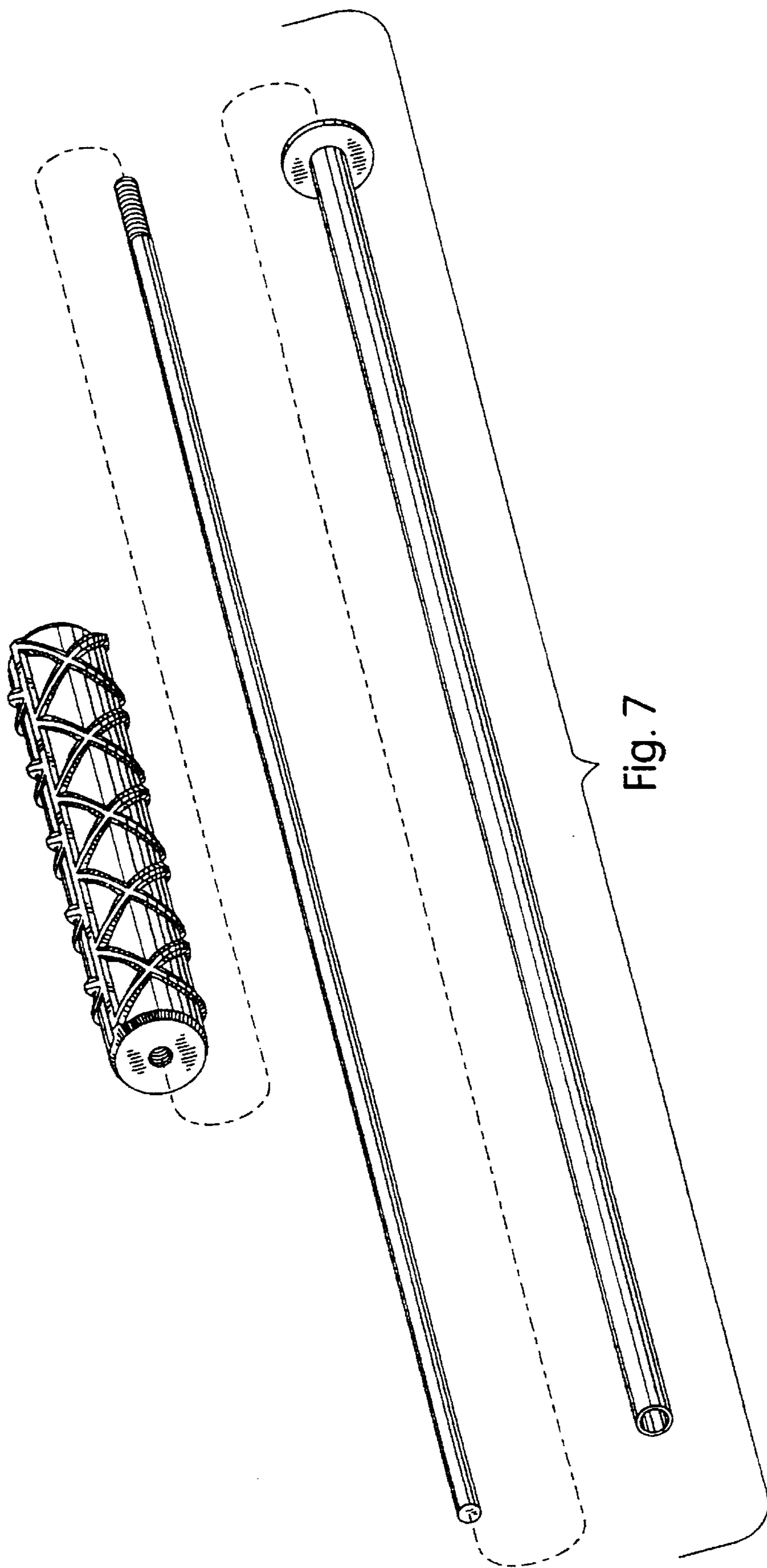


Fig. 7