



US00D374155S

# United States Patent [19]

[11] Patent Number: **Des. 374,155**

Feer et al.

[45] Date of Patent: **\*\*Oct. 1, 1996**

[54] **FOOD STORAGE CONTAINER**

[75] Inventors: **David L. Feer**, Andover, Mass.;  
**William A. Pesa**, Wooster, Ohio

[73] Assignee: **Rubbermaid Incorporated**, Wooster, Ohio

[\*\*] Term: **14 Years**

[21] Appl. No.: **44,011**

[22] Filed: **Sep. 15, 1995**

### Related U.S. Application Data

[62] Division of Ser. No. 32,395, Dec. 16, 1994.  
[52] **U.S. Cl.** ..... **D7/602**  
[58] **Field of Search** ..... D7/500, 502, 538-549,  
D7/602, 629; D9/414, 424, 428, 429; 220/306,  
307, 507, 281, 352, 356

### [56] References Cited

#### U.S. PATENT DOCUMENTS

D. 52,816 12/1918 Beiswanger ..... D7/545  
D. 255,309 6/1980 Colato et al. .... D7/502 X  
D. 270,418 9/1983 Conti ..... D7/602

#### OTHER PUBLICATIONS

Retailing Home Furnishings Supplement, Jun. 27, 1977 Au Gratin Dish.  
TableWare International, Feb. 1983, p. 121, bowl top, right.  
HFD, Jun. 1, 1987, p. 66, Container, bottom, left corner.

*Primary Examiner*—Terry A. Wallace  
*Attorney, Agent, or Firm*—Richard B. O’Planick; Lisa B. Riedesel

### [57] CLAIM

The ornamental design for a food storage container, as shown and described.

### DESCRIPTION

FIG. 1 is a top, front, right side perspective view of a food storage container showing our new design;

FIG. 2 is a front elevation view thereof, the rear and left side being mirror images;

FIG. 3 is a top plan view thereof;

FIG. 4 is a bottom plan view thereof;

FIG. 5 is a top, front, right side perspective view of an alternate embodiment of FIG. 1;

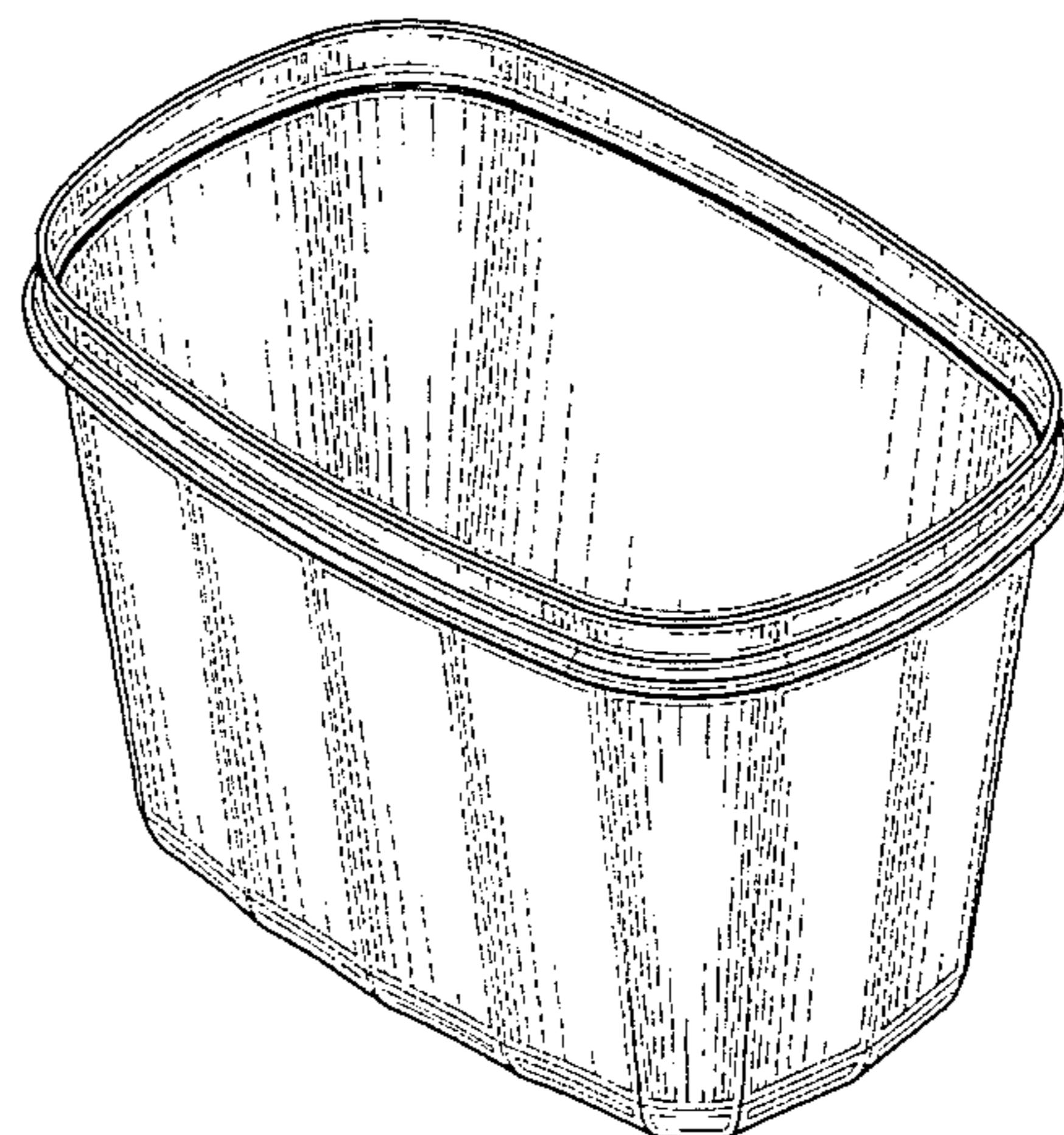
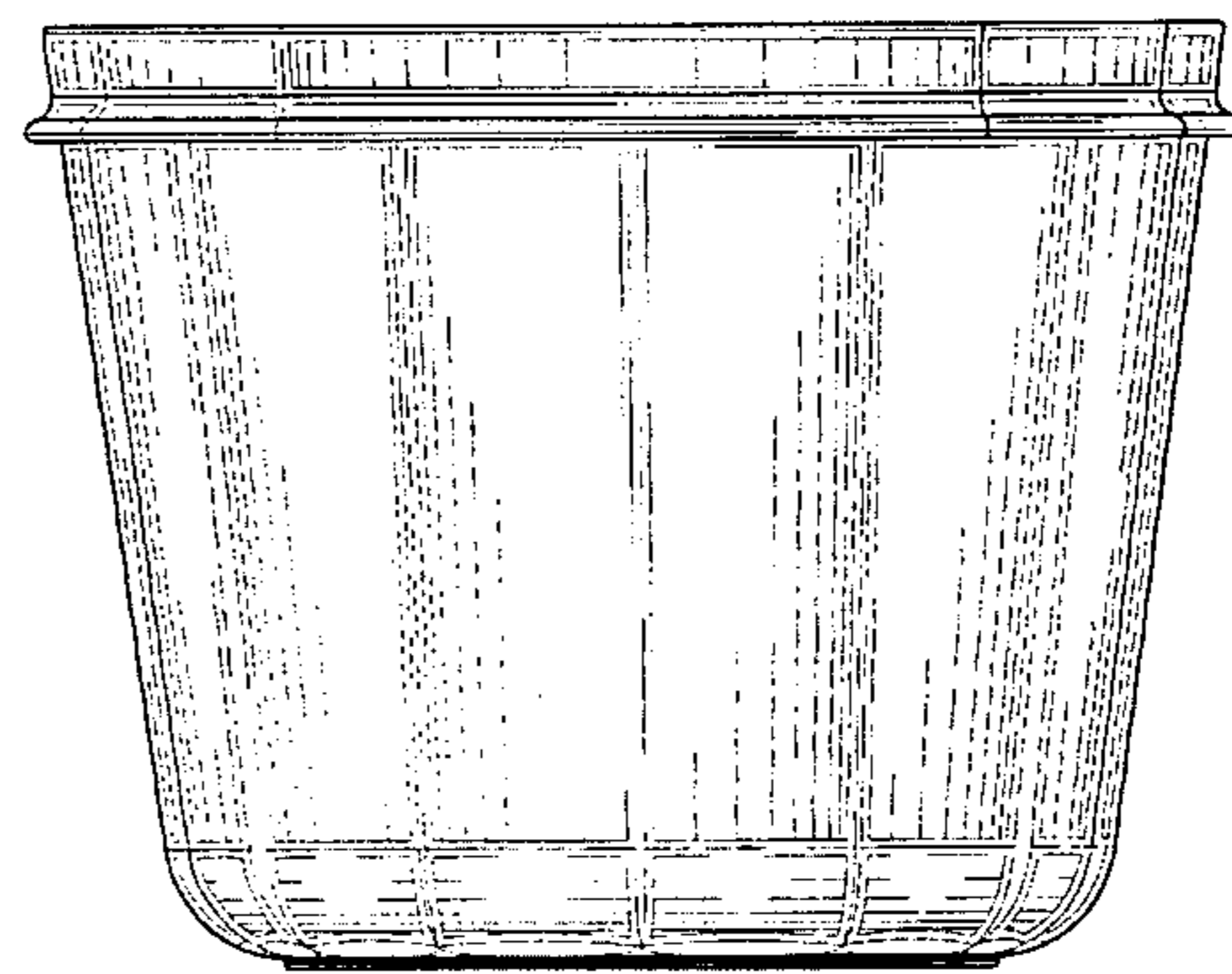
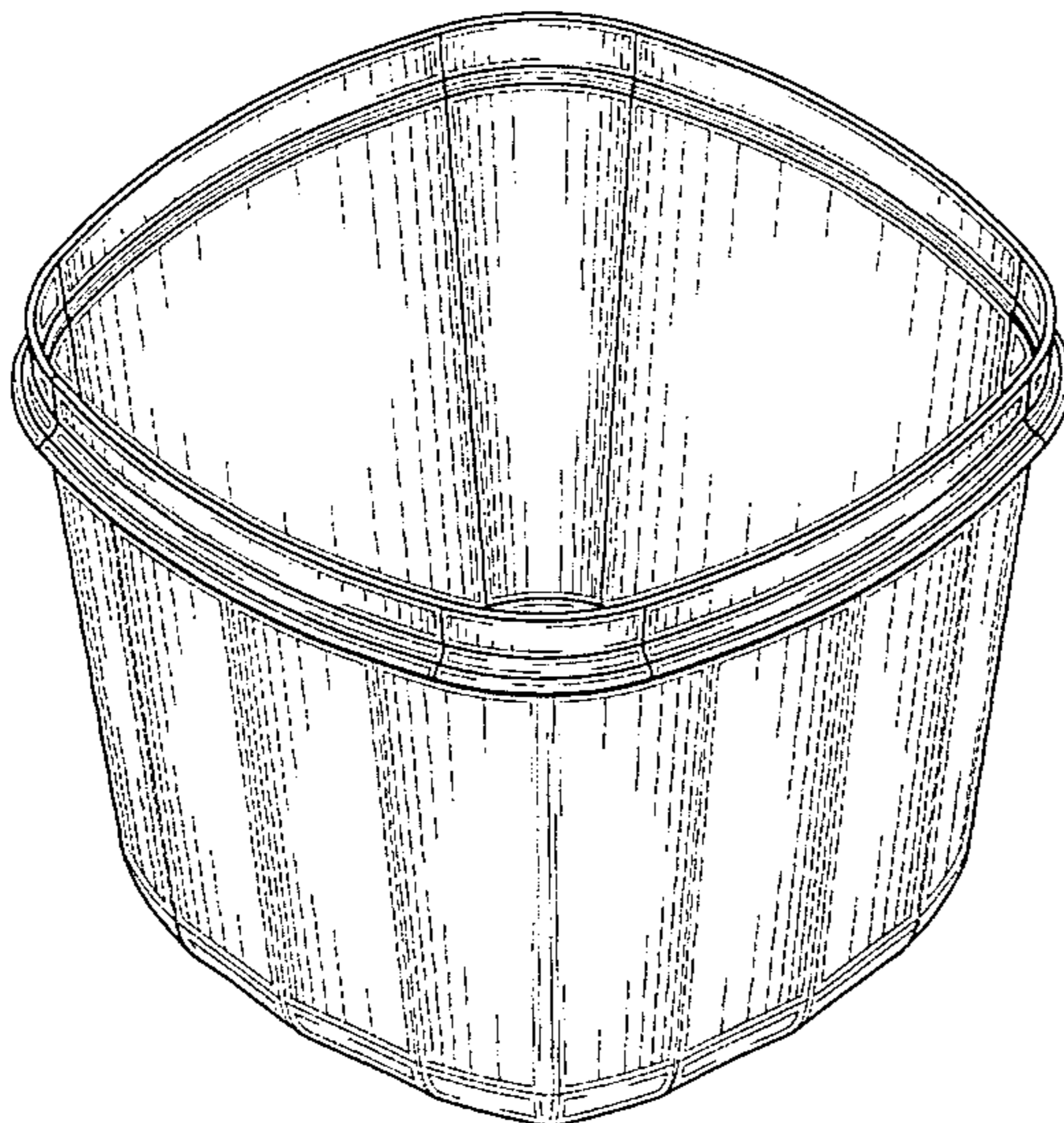
FIG. 6 is a front elevation view of FIG. 5, the opposite side being a mirror image;

FIG. 7 is a top plan view of FIG. 5;

FIG. 8 is a bottom plan view of FIG. 5; and,

FIG. 9 is a right side elevation view of FIG. 5, the opposite side being a mirror image.

**1 Claim, 8 Drawing Sheets**



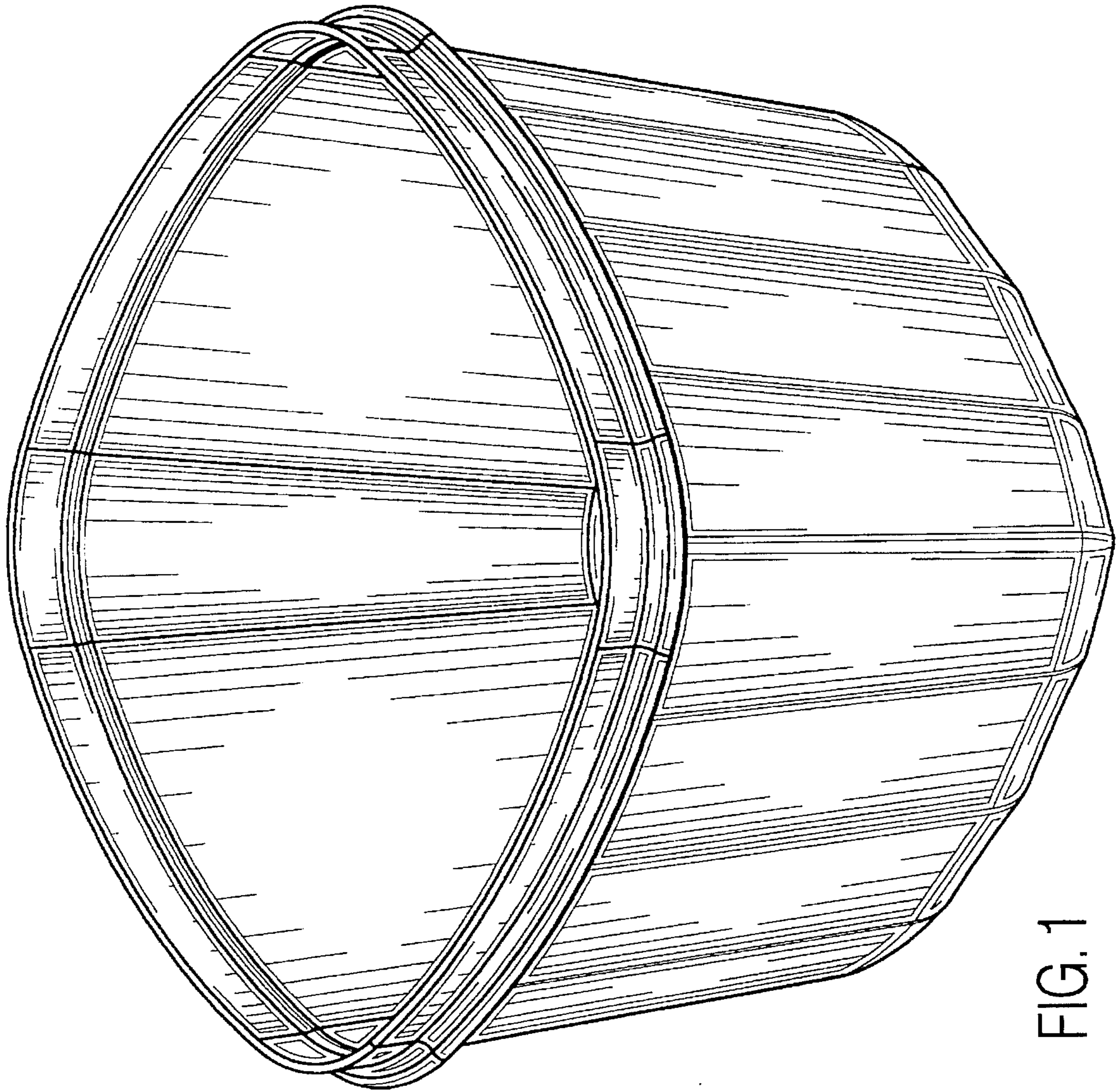


FIG. 1

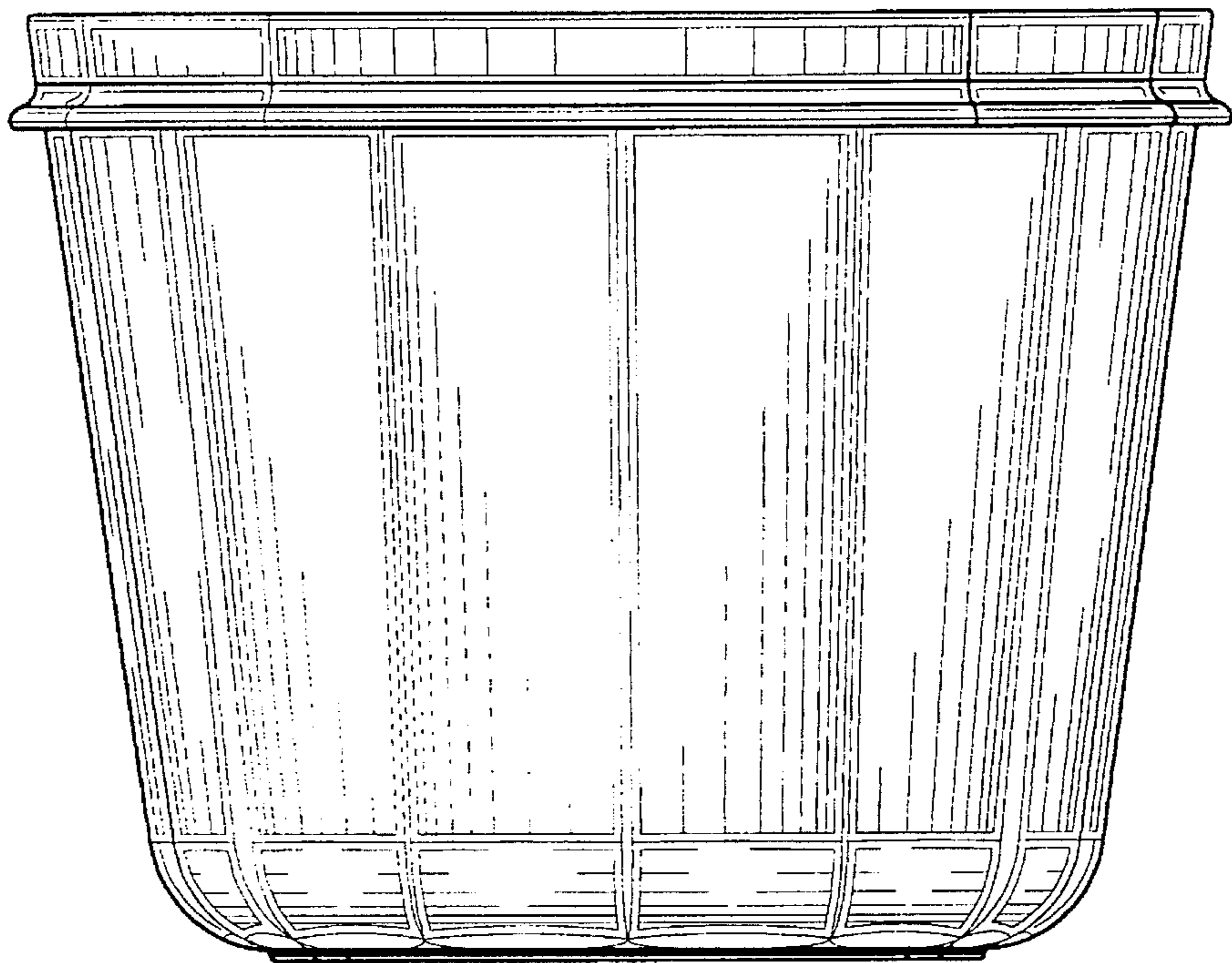


FIG. 2

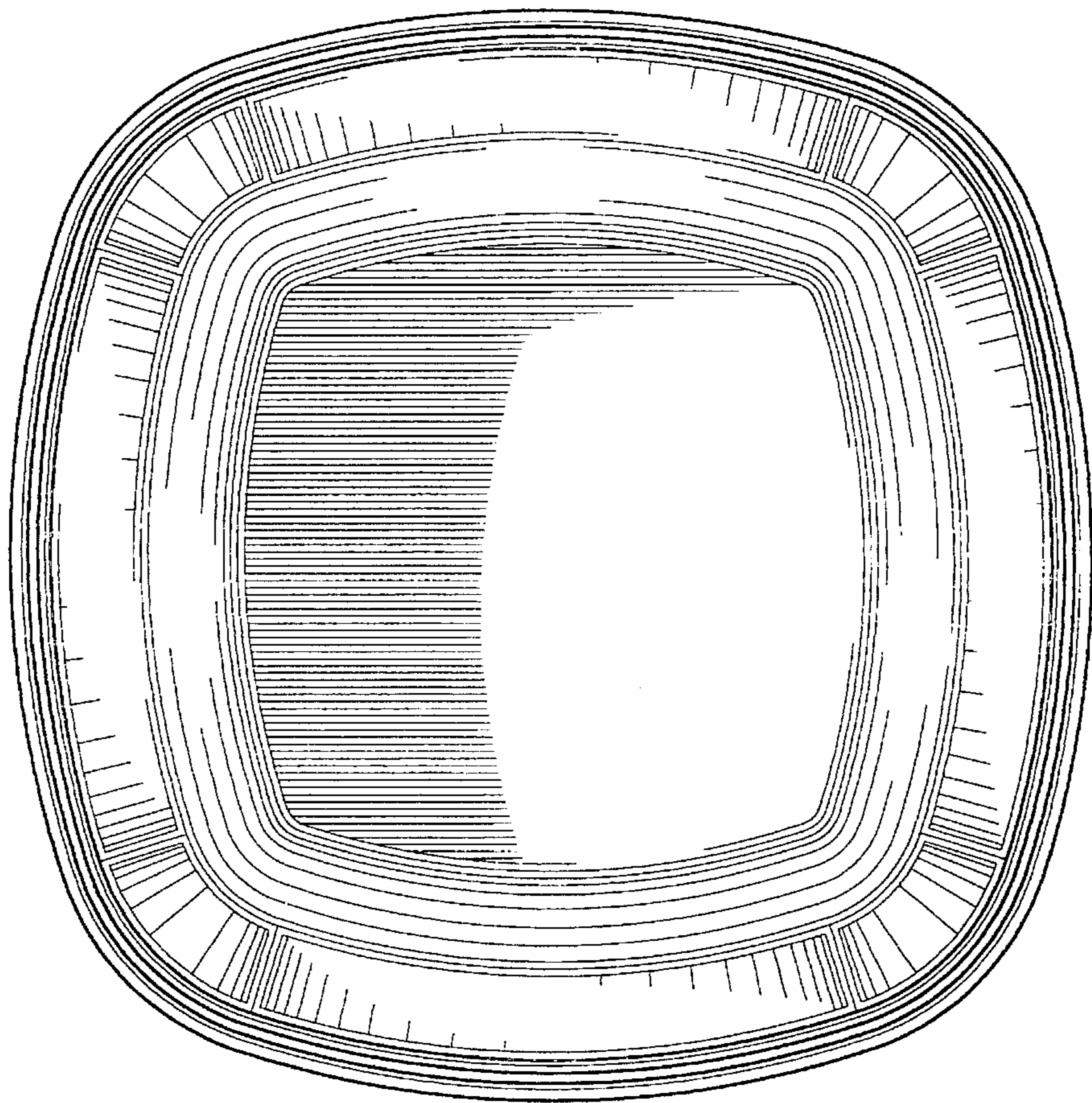


FIG. 3

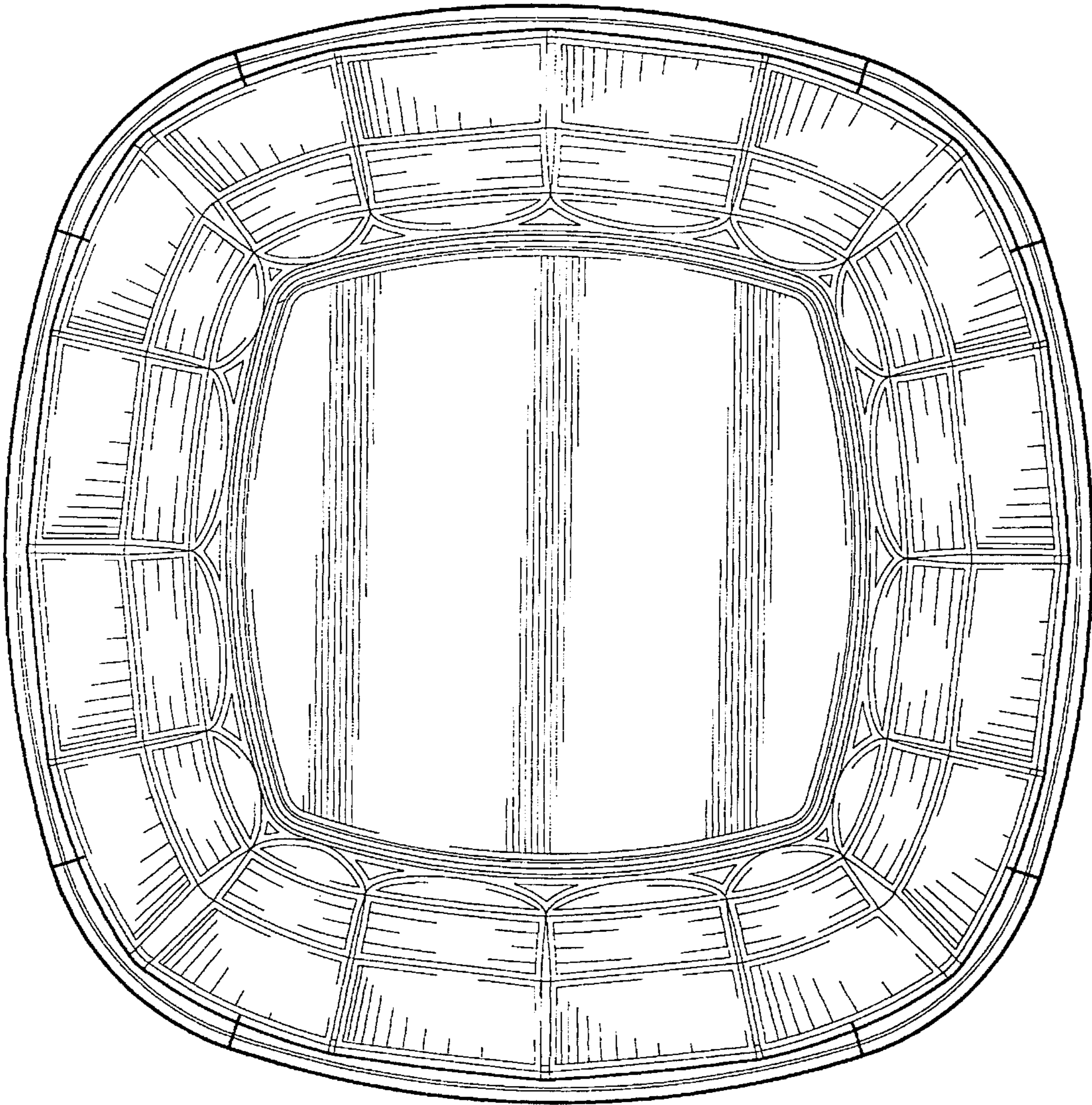


FIG. 4

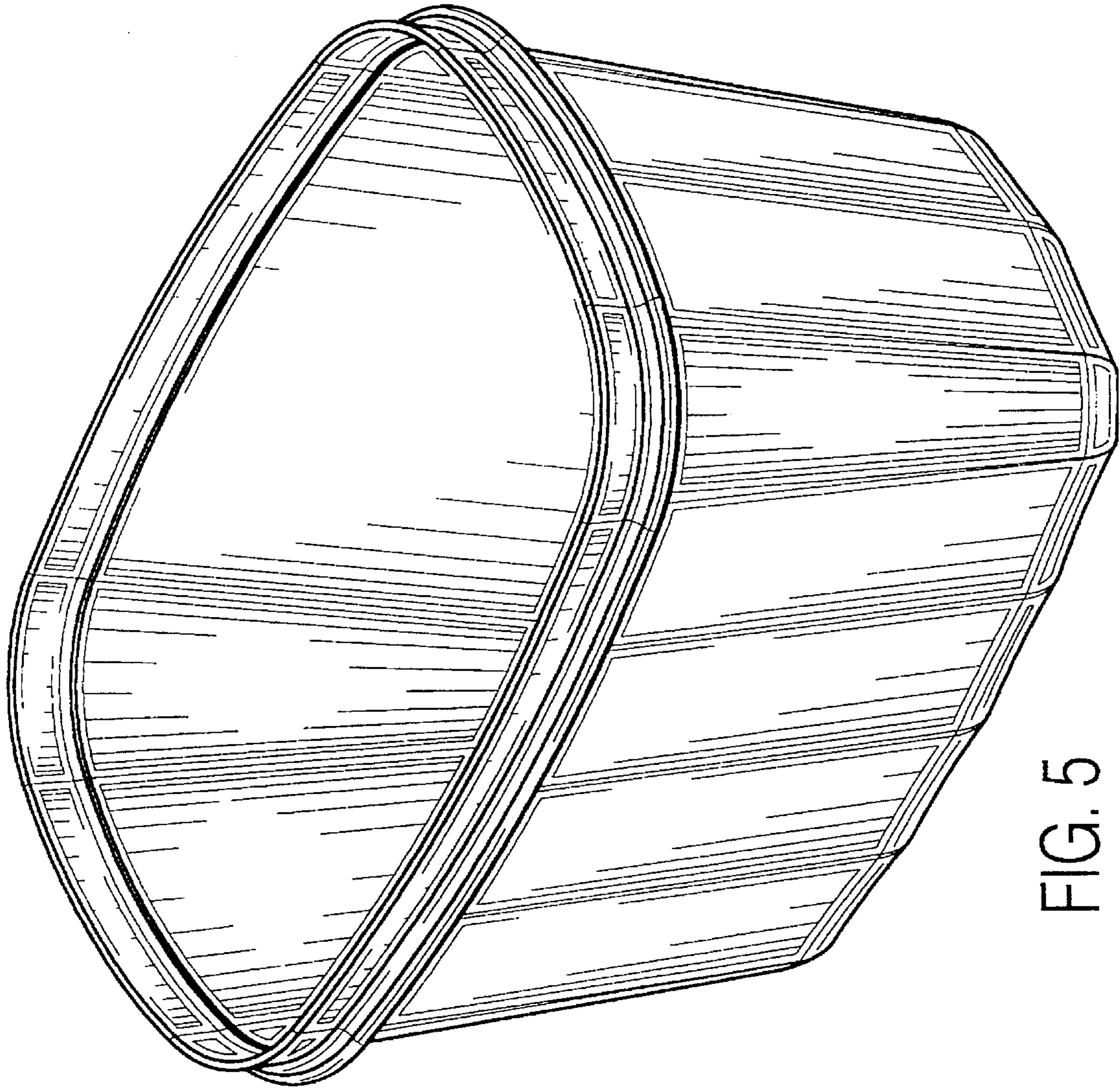


FIG. 5

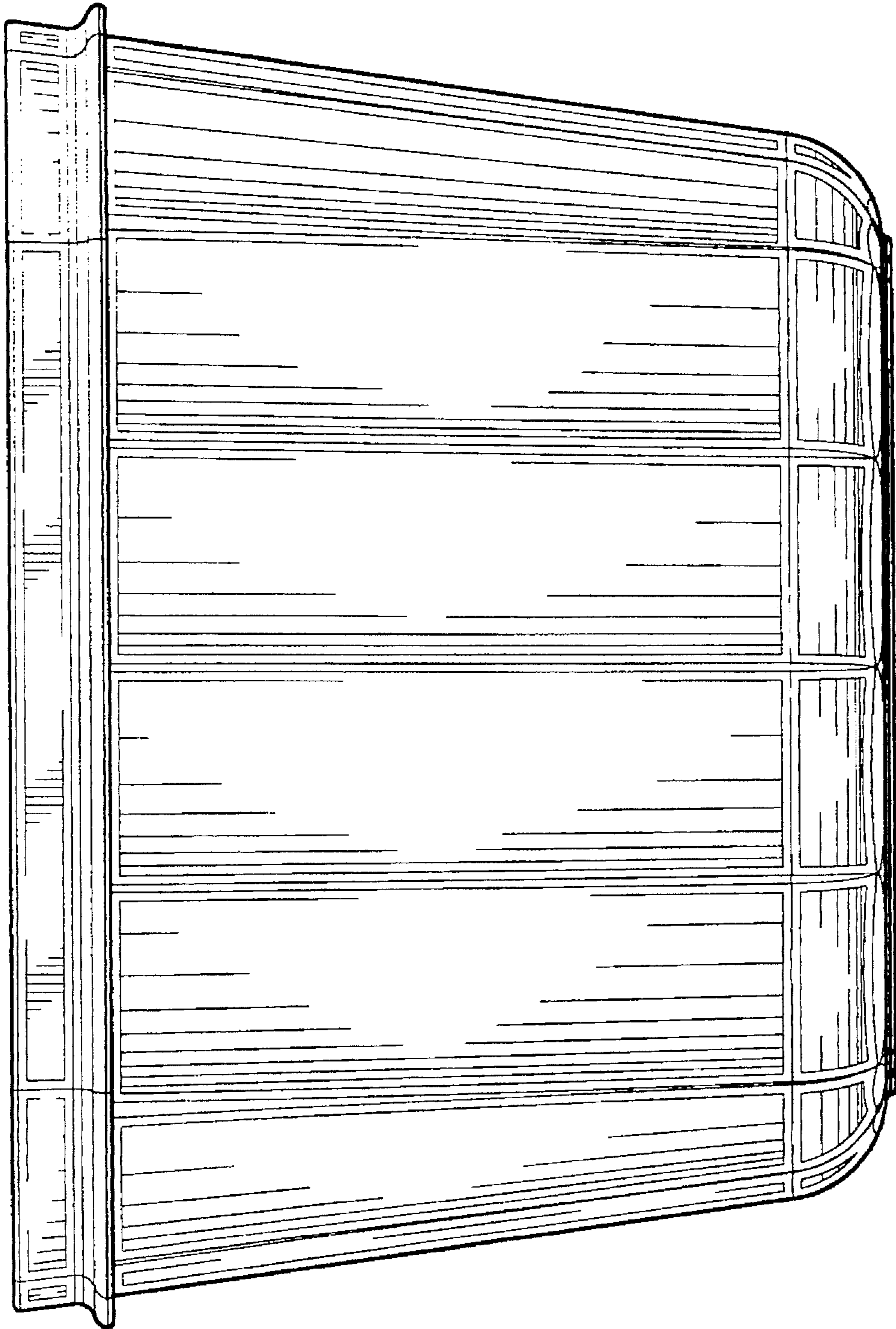


FIG. 6

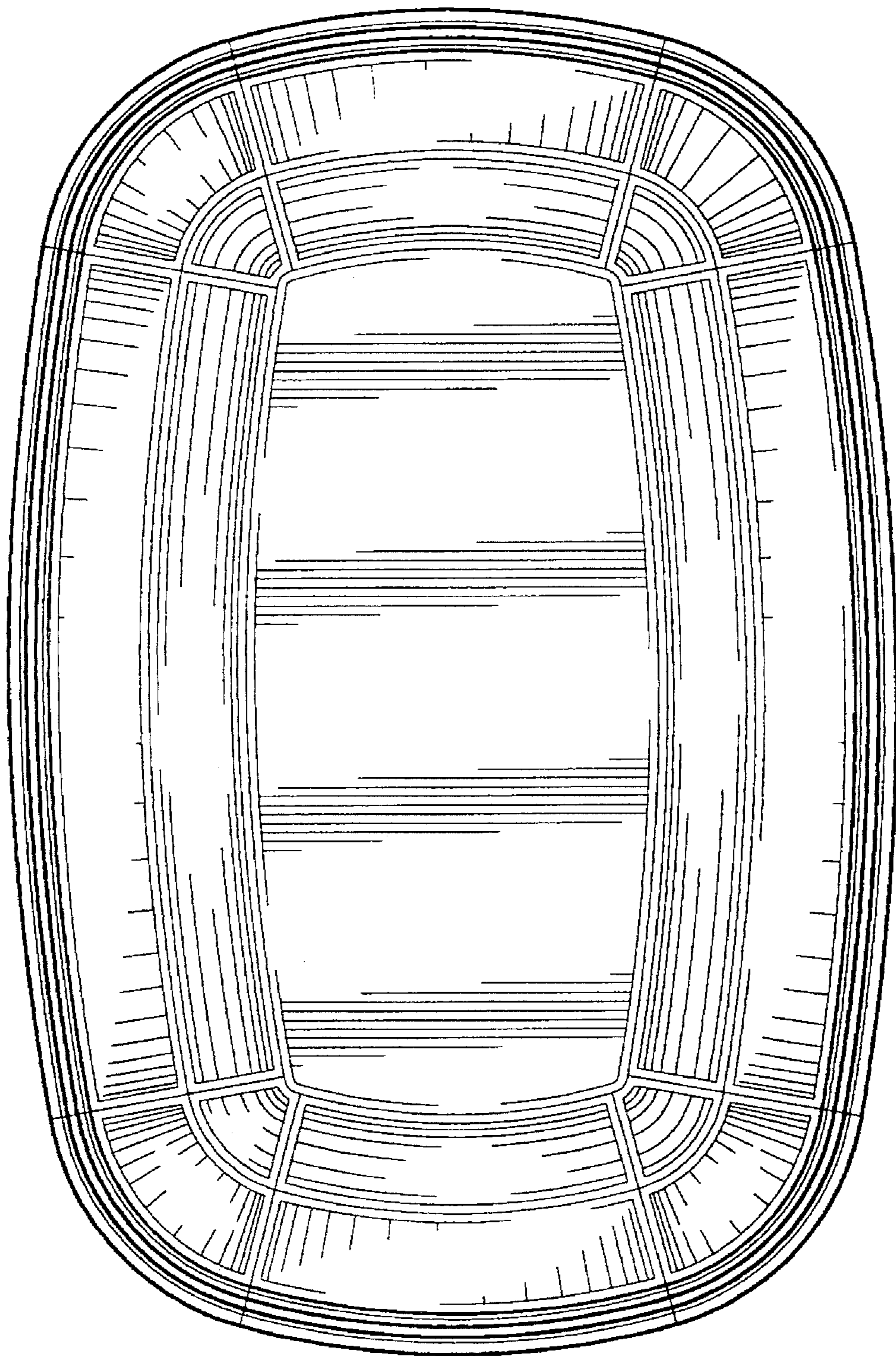


FIG. 7

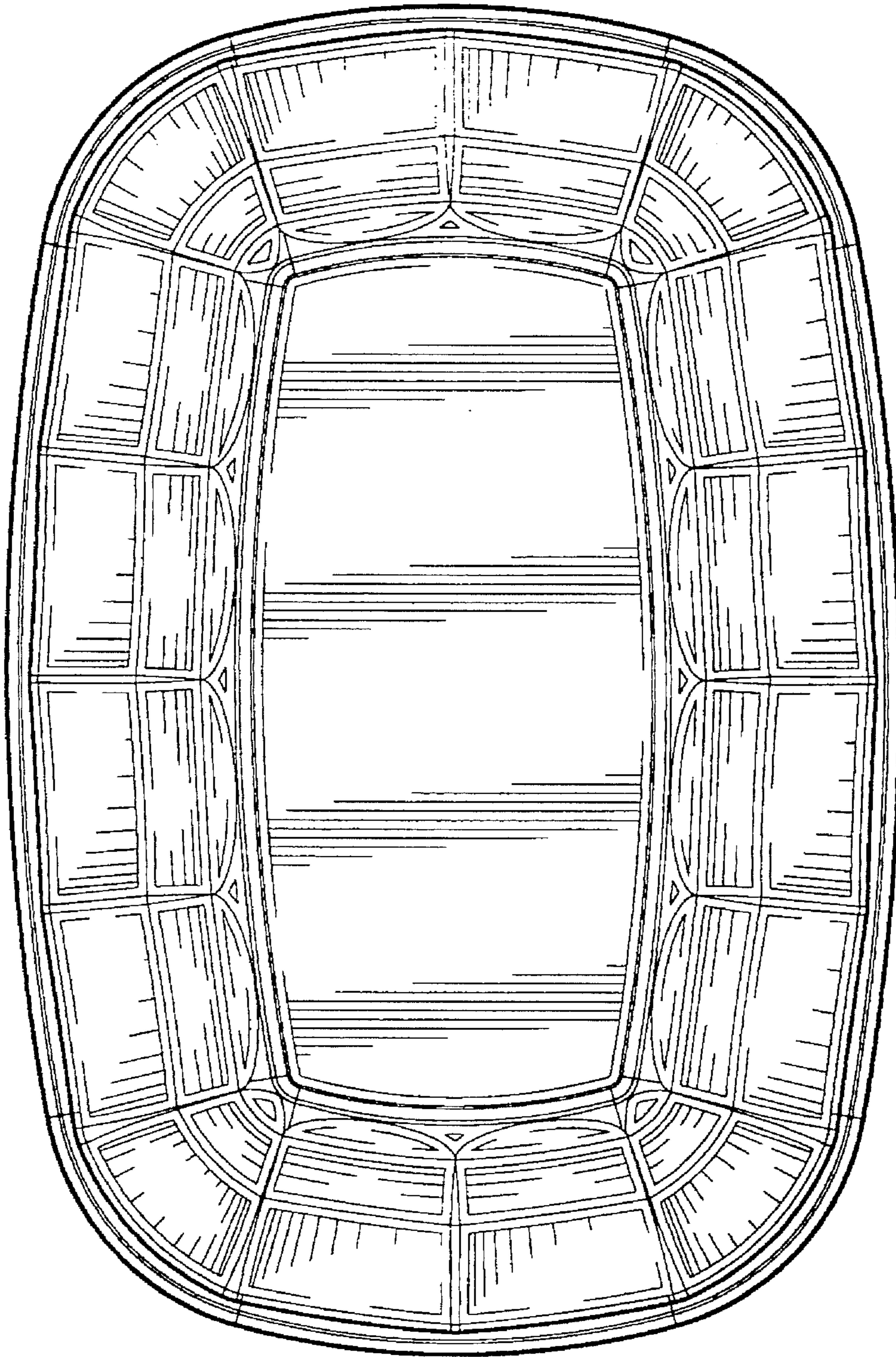


FIG. 8



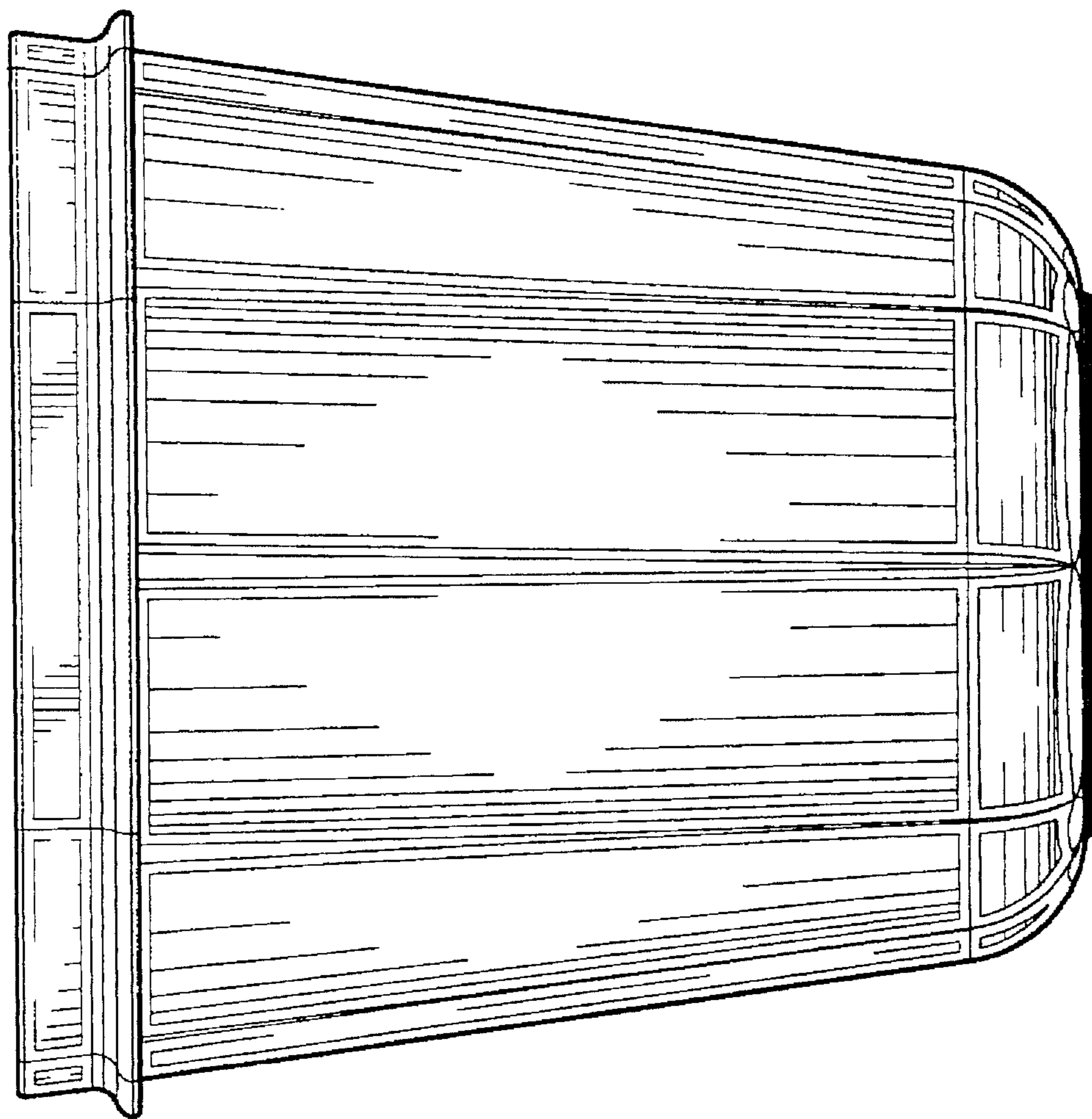


FIG. 9

UNITED STATES PATENT AND TRADEMARK OFFICE  
**CERTIFICATE OF CORRECTION**

Page 1 of 3

PATENT NO. : D-374,155  
DATED : October 1, 1996  
INVENTOR(S) : David L. Feer, William A. Pesa

It is certified that error appears in the above-identified patent and that said Letters Patent is hereby corrected as shown below:

U.S. PATENTS DOCUMENTS

D336,017	06/1/93	Smith, et al.	D7/629
D344,210	02/15/94	Cousins, et al.	D7/538
D346,720	05/10/94	Onneweer	D7/629
D349,005	07/26/94	Cousins, et al.	D7/543
D350,843	09/27/94	VanValkenburg, et al.	D7/614
D350,880	09/27/94	VanValkenburg, et al.	D7/629
D350,881	09/27/94	VanValkenburg, et al.	D7/629
D350,465	10/25/94	Beeler, et al.	D7/629
D352,423	11/15/94	Laib	D7/538
D352,425	11/15/94	Daener, et al.	D7/602
D353,303	12/13/94	Davis	D7/542
D354,435	01/17/95	Krupa	D9/423
D355,814	02/28/95	VanValkenburg, et al.	D7/629
3,421,681	01/14/69	Frank	229-43
3,526,334	09/01/70	Ashton, et al.	220-23.83
3,719,304	03/06/73	Douglas	220/42
3,753,512	08/21/73	Curry	220/43
3,809,284	05/07/74	Churan	220/60
3,979,015	09/07/76	Arfert	220/307
4,341,324	07/27/82	Ramirez	220/306
4,471,880	09/18/84	Taylor, et al.	220/306
4,493,432	01/15/85	Smith	220/270
4,537,325	08/27/85	Zieff	220/234
4,561,562	12/31/85	Trombly	220/306
4,809,868	03/07/89	Pomroy	220/260
5,356,026	10/18/94	Andress, et al.	220/306

UNITED STATES PATENT AND TRADEMARK OFFICE  
**CERTIFICATE OF CORRECTION**

Page 2 of 3

PATENT NO. : D-374,155  
DATED : October 1, 1996  
INVENTOR(S) : David L. Feer, William A. Pesa

It is certified that error appears in the above-identified patent and that said Letters Patent is hereby corrected as shown below:

OTHER PUBLICATIONS

Pages 3, 4, 5, 7, 11, 12, 13, 15, 17, 22 and 28, Food containers; Tupperware, Dart Industries, P.O. Box 2353, Orlando, Florida 32802. Publication date 1992.

Page 4, Food containers; Tupperware, Dart Industries, P.O. box 2353. Orlando, Florida 32802. Publication date Fall 1976.

Page 7, Bowls; Tucker Houswares ; 25 Tucker Drive, Leominster, Massachusetts 01469. Publication date 1993.

Page 26, Food containers; Cambro Manufacturing Co., 7601 Clay Avenue, P.O. Box 2000, Huntington Beach, California 92647-2000. Publication date 1992.

Sell sheet, Food containers; Eagle Affiliates, Inc., 505 Manor Avenue, Harrison, New Jersey 07029-2096. Published at least as early as 1994.

Page 23, Freezer boxes; Dupol-Rubbermaid GmbH, An der Trift 63, D-6072 Dreieich, Germany. Publication date 1989.

Pages 12 and 13, Food containers; Curver b.v., Takkebijsters 75, Postbus 6810, 4802 HV Breda, Netherlands. Publication date 1992.

Page 7, Food container; Rubbermaid Commercial Products Inc., 3124 Valley Avenue, Winchester, Virginia 22601. Publication date 1994.

Pages 12 and 13, Food containers; Rubbermaid Incorporated, 1147 Akron Road, Wooster, Ohio 44691. Publication date 1986.

UNITED STATES PATENT AND TRADEMARK OFFICE  
**CERTIFICATE OF CORRECTION**

Page 3 of 3

PATENT NO. : D-374,155

DATED : October 1, 1996

INVENTOR(S) : David L. Feer, William A. Pesa

It is certified that error appears in the above-identified patent and that said Letters Patent is hereby corrected as shown below:

Seal sheet, Food containers; Rubbermaid Incorporated, 1147 Akron Road,  
Wooster, Ohio 44691. Publication date 1991.

Signed and Sealed this  
Twenty-sixth Day of August, 1997

Attest:



BRUCE LEHMAN

Attesting Officer

Commissioner of Patents and Trademarks