



US00D374154S

United States Patent [19]

Boyer

[11] Patent Number: **Des. 374,154**

[45] Date of Patent: ****Oct. 1, 1996**

[54] **COFFEE BEAN DISPENSER**

[75] Inventor: **Samuel R. Boyer**, Golden, Colo.

[73] Assignee: **Brothers Gourmet Coffees, Inc.**, Boca Raton, Fla.

[**] Term: **14 Years**

[21] Appl. No.: **33,567**

[22] Filed: **Jan. 17, 1995**

D. 306,808	3/1990	Thomas	D6/515
D. 363,086	10/1995	Vlastuin	D7/589 X
5,000,344	3/1991	Janssen	221/131 X

Primary Examiner—Terry A. Wallace
Attorney, Agent, or Firm—Dorr, Carson, Sloan & Birney, P.C.

[57] CLAIM

The ornamental design for a coffee bean dispenser, as shown and described.

DESCRIPTION

The subject matter illustrated in broken lines is illustrative only and forms no part of the claimed design.

FIG. 1 is a perspective view of a group of coffee bean dispenser showing my new design;

FIG. 2 is a front elevational view thereof;

FIG. 3 is a right side elevational view thereof, the left side elevational view being substantially a mirror image thereof;

FIG. 4 is a rear elevational view thereof;

FIG. 5 is a top plan view thereof; and,

FIG. 6 is a bottom plan view thereof.

Related U.S. Application Data

[63] Continuation-in-part of Ser. No. 204,477, Mar. 1, 1994.

[52] U.S. Cl. **D7/589**

[58] Field of Search D7/589; D6/515, D6/457; 222/129, 424.5; 221/131; D20/1, 4, 5

[56] References Cited

U.S. PATENT DOCUMENTS

D. 252,655 8/1979 Dibling D7/589 X

1 Claim, 3 Drawing Sheets

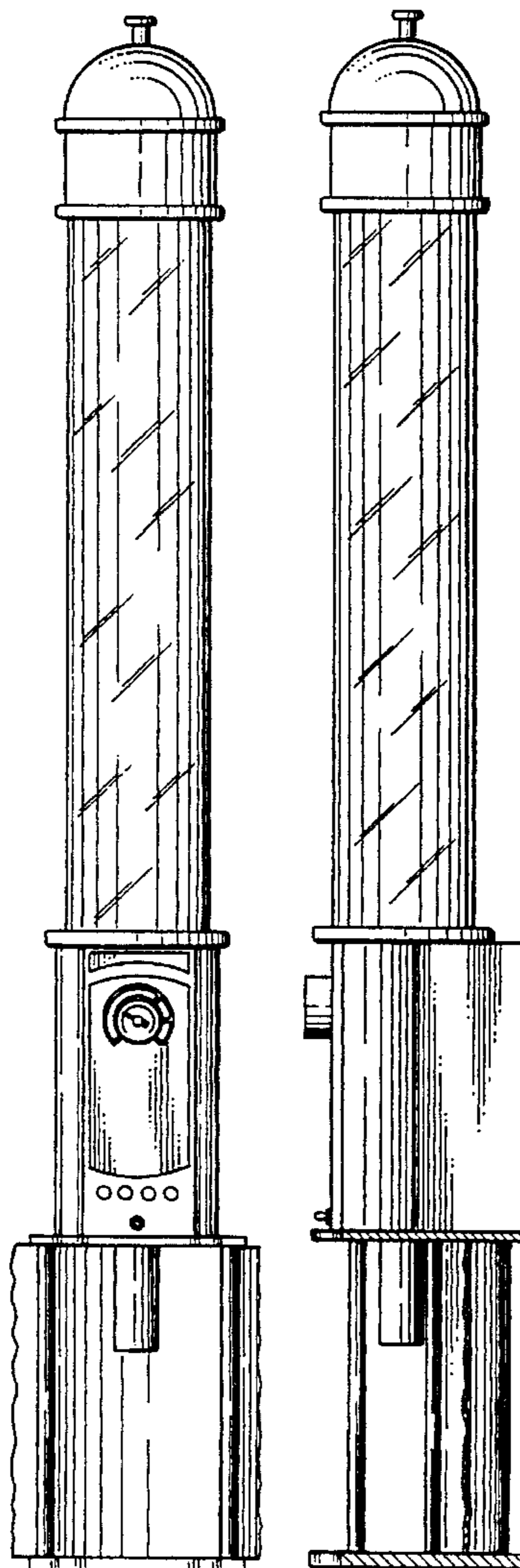


Fig. 1

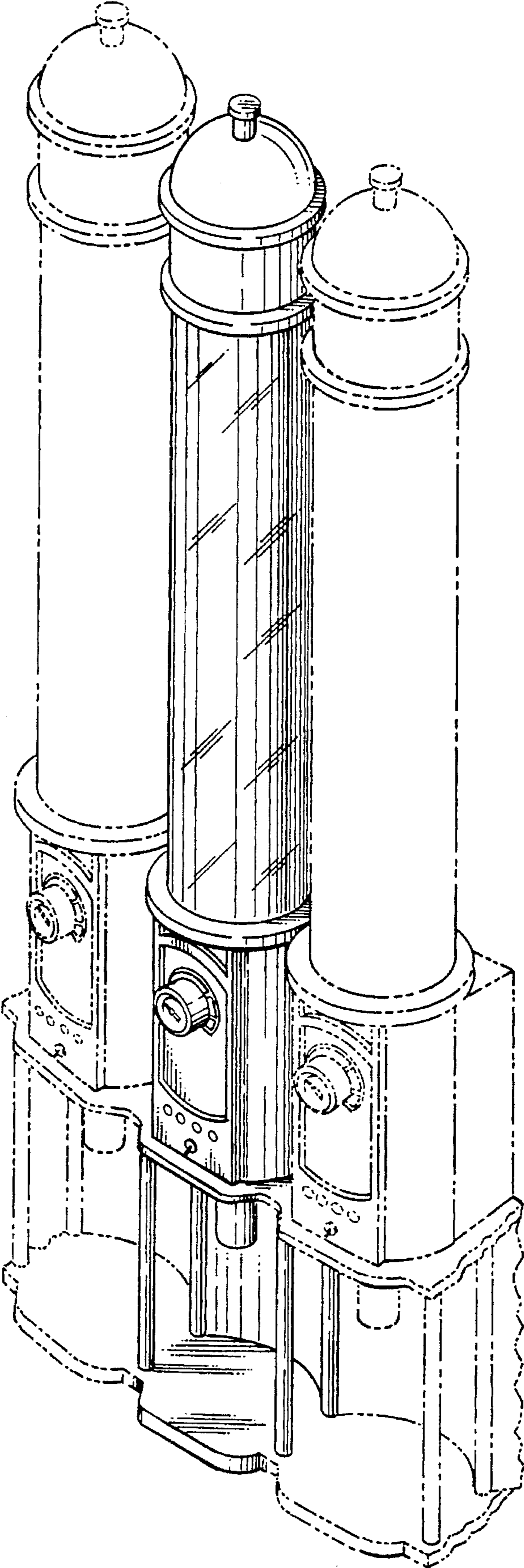


Fig. 2

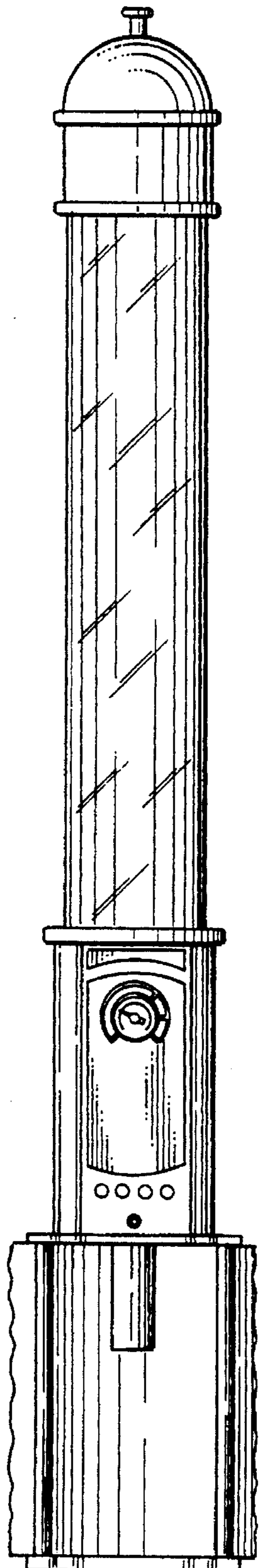


Fig. 3

