



US00D374150S

# United States Patent [19]

Lillelund et al.

[11] Patent Number: **Des. 374,150**

[45] Date of Patent: **\*\*Oct. 1, 1996**

[54] **BLENDER INSERT FOR SHAKER**

[75] Inventors: **Stig Lillelund**, Garderhøjvej; **Jakob Heiberg**, Gronnevaenge, both of Denmark; **Robert H. C. M. Daenen**, Bruckersebaan, Belgium

[73] Assignee: **Dart Industries Inc.**, Deerfield, Ill.

[\*\*] Term: **14 Years**

[21] Appl. No.: **42,773**

[22] Filed: **Aug. 17, 1995**

[52] U.S. Cl. .... **D7/387; D7/397; D7/413; D7/412; D7/415**

[58] **Field of Search** ..... D7/300.1, 378, D7/376, 397, 619, 591, 592, 510, 383, 511, 387, 213, 392.1, 400, 409, 414, 415, 413, 412; D9/446, 447, 347; 220/672, 568, 505; 215/11.1, DIG. 8, 11.6, 13.1; D11/152; D26/22

[56] **References Cited**

**U.S. PATENT DOCUMENTS**

D. 192,550	4/1962	Wright	.....	D26/22	X
1,661,336	3/1928	Katz	.....	D7/300.1	X
1,740,223	12/1929	Burvenick	.....	D7/300.1	X
1,744,422	1/1930	Taylor	.....	D7/412	X

1,765,129	6/1930	Cooke	.....	D7/300.1	X
2,592,485	4/1952	Stair	..		
2,990,080	6/1961	Harris	.....	D7/619	X
3,677,524	7/1972	Douglas	.		
3,820,692	6/1974	Swett et al.	.....	D7/300.1	
4,818,114	4/1989	Ghavi	.		

*Primary Examiner*—M. N. Pandozzi  
*Attorney, Agent, or Firm*—John A. Doninger

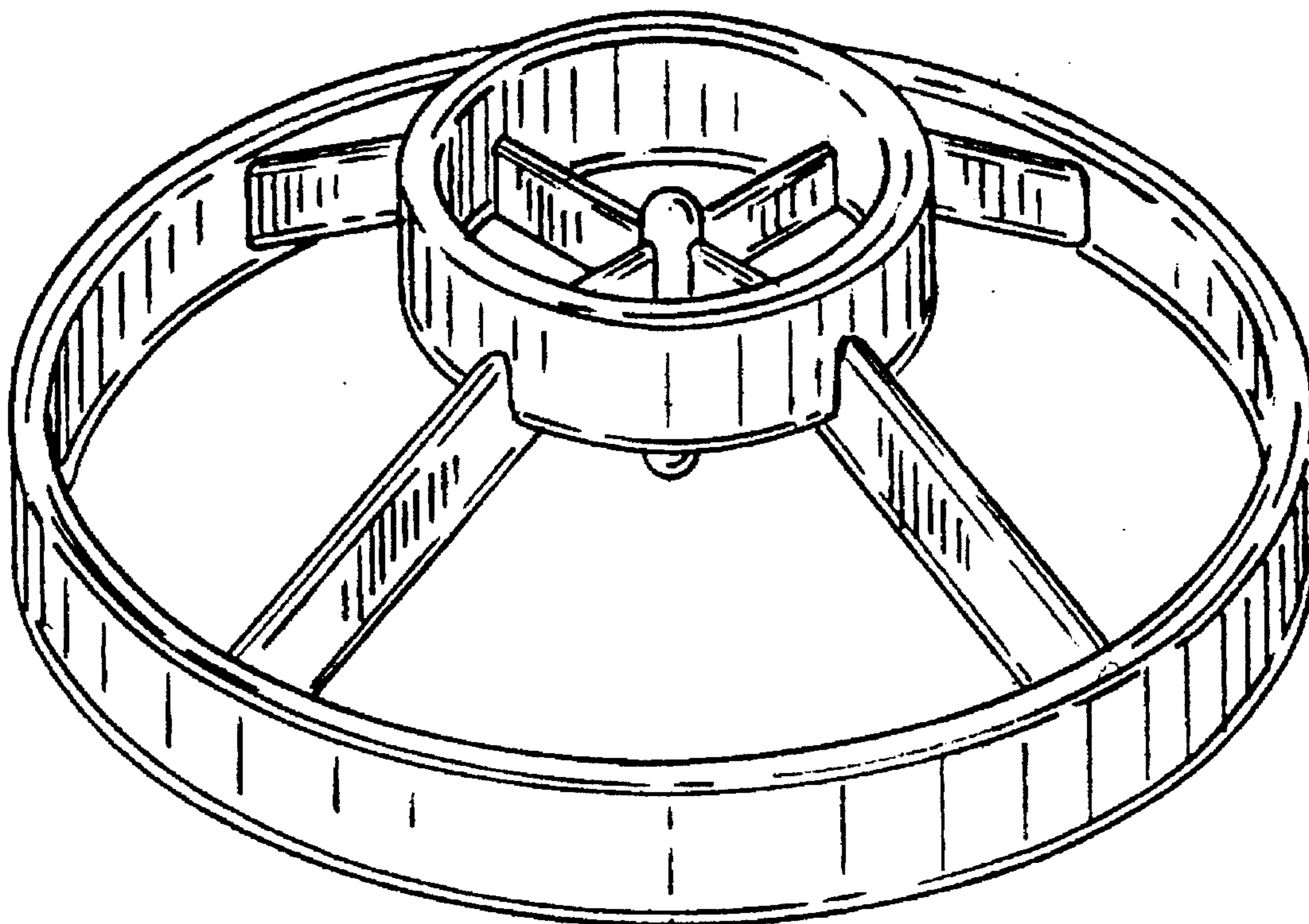
[57] **CLAIM**

The ornamental design for a blender insert for shaker, as shown and described.

**DESCRIPTION**

FIG. 1 is top and front perspective view of a blender insert for shaker showing our new design; FIG. 2 is a top plan view thereof; FIG. 3 is a bottom plan view thereof; FIG. 4 is a typical elevation view thereof at 90° intervals thereabout; FIG. 5 is a typical elevation view thereof rotated at 45° to FIG. 4 and at 90° intervals thereabout; FIG. 6 is a cross-section view thereof on line 6—6 in FIG. 2; and, FIG. 7 is a cross-section view thereof on line 7—7 in FIG. 2.

**1 Claim, 2 Drawing Sheets**



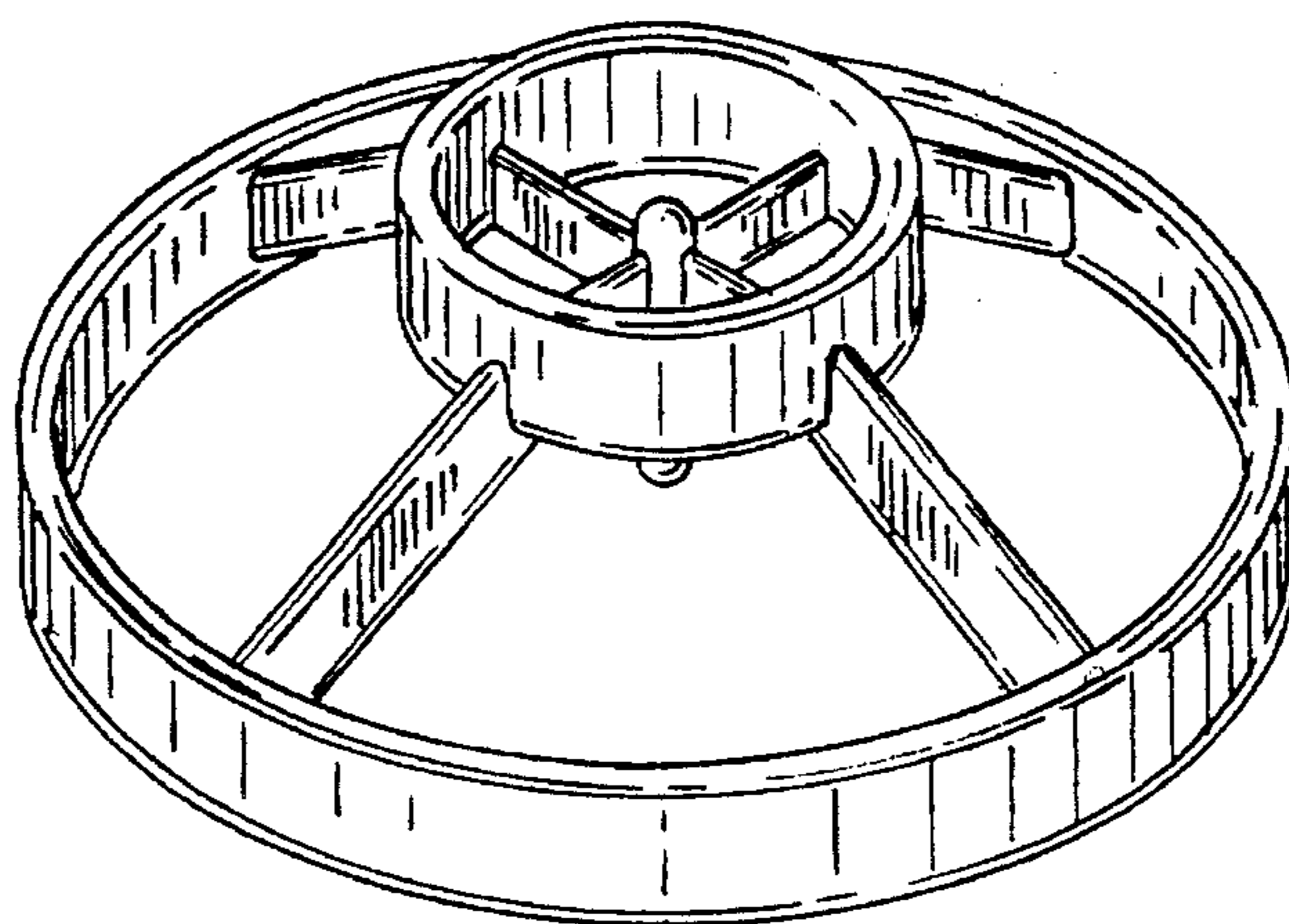


FIG. 1

FIG. 2

FIG. 3

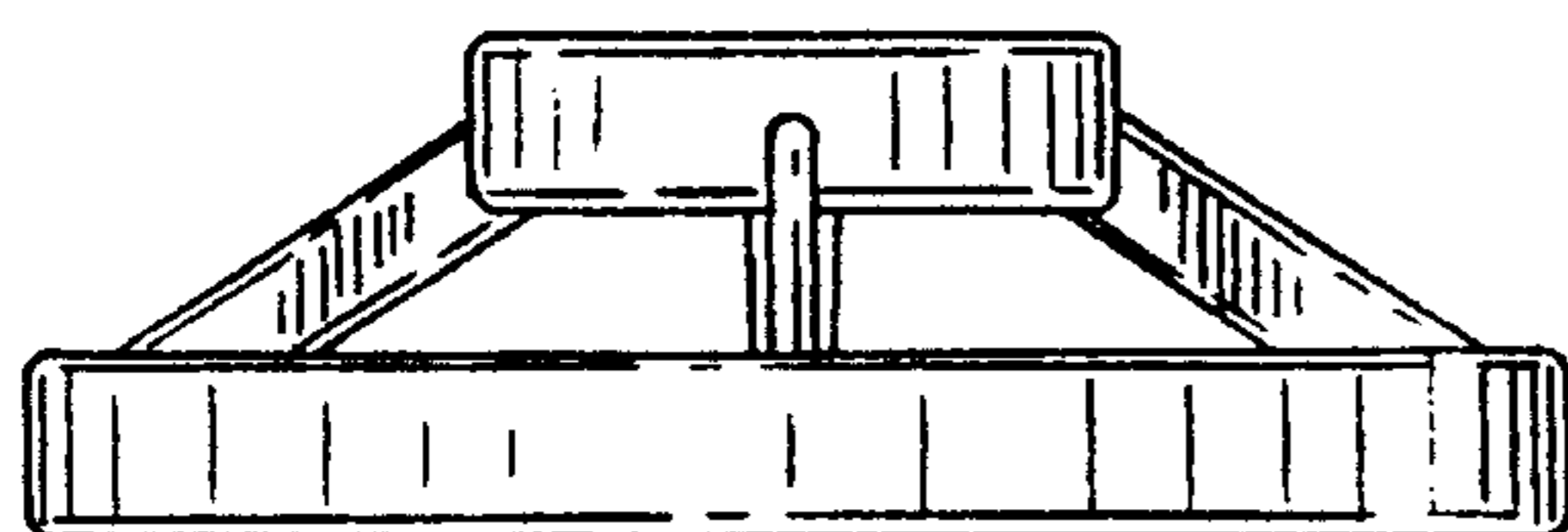
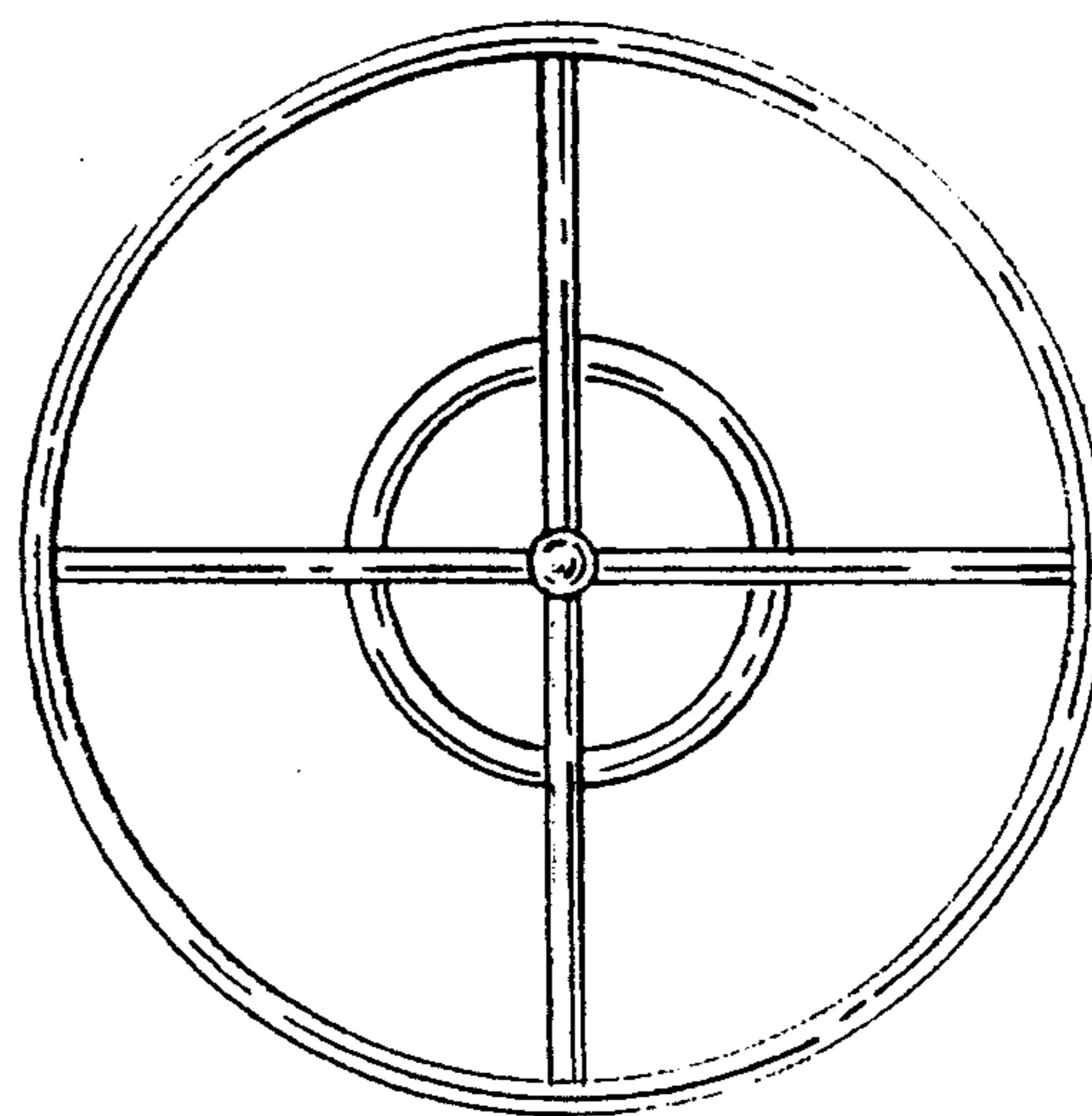
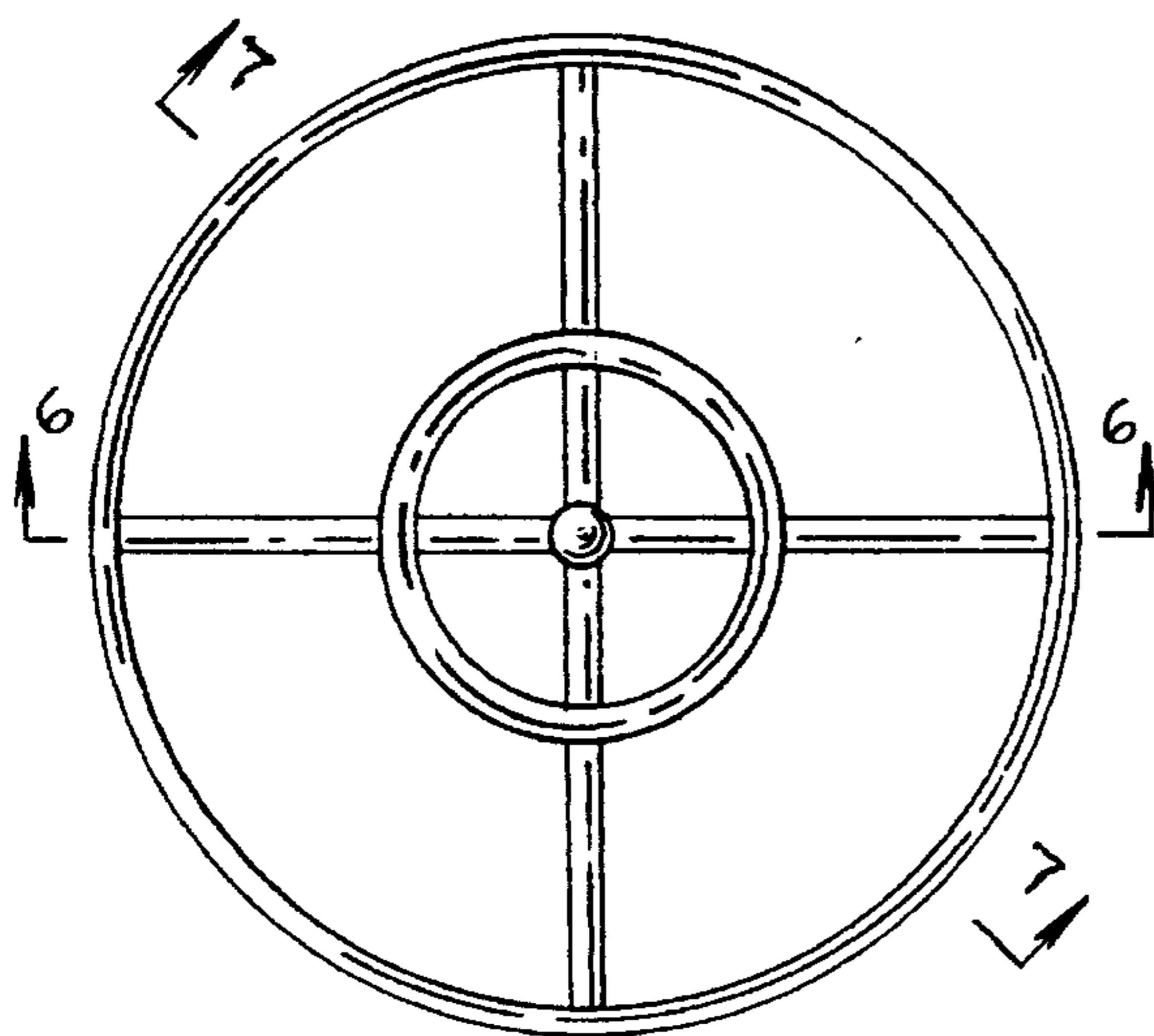


FIG. 4

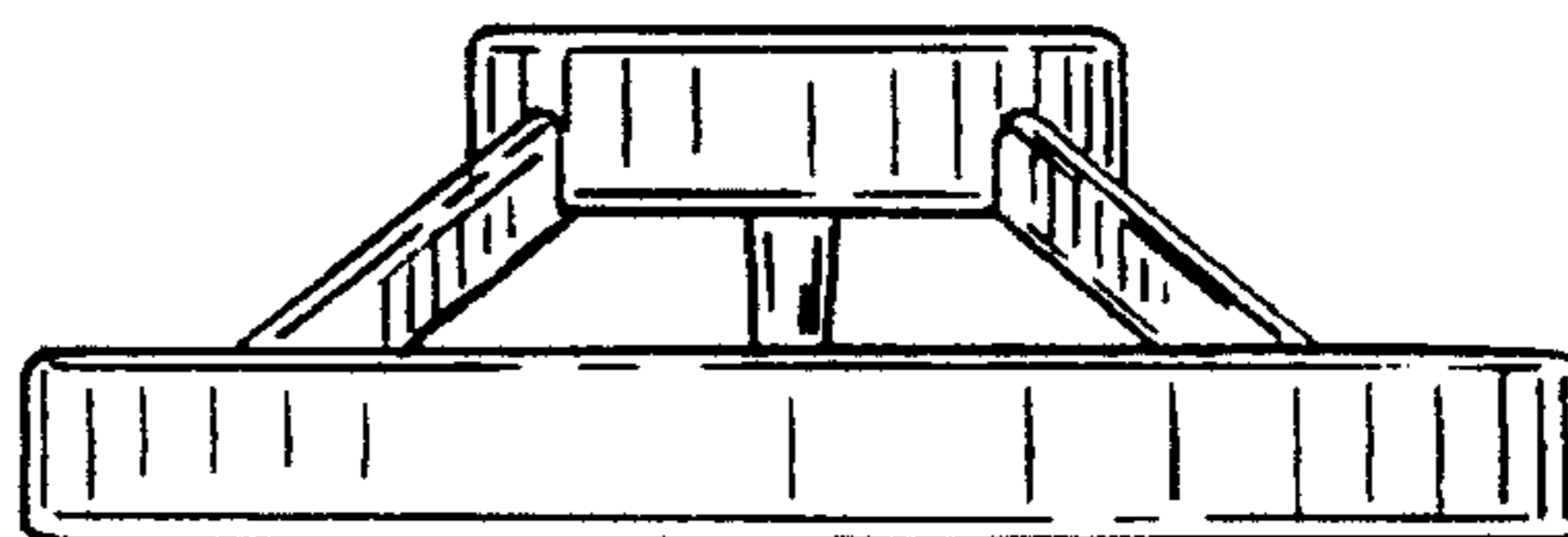


FIG. 5

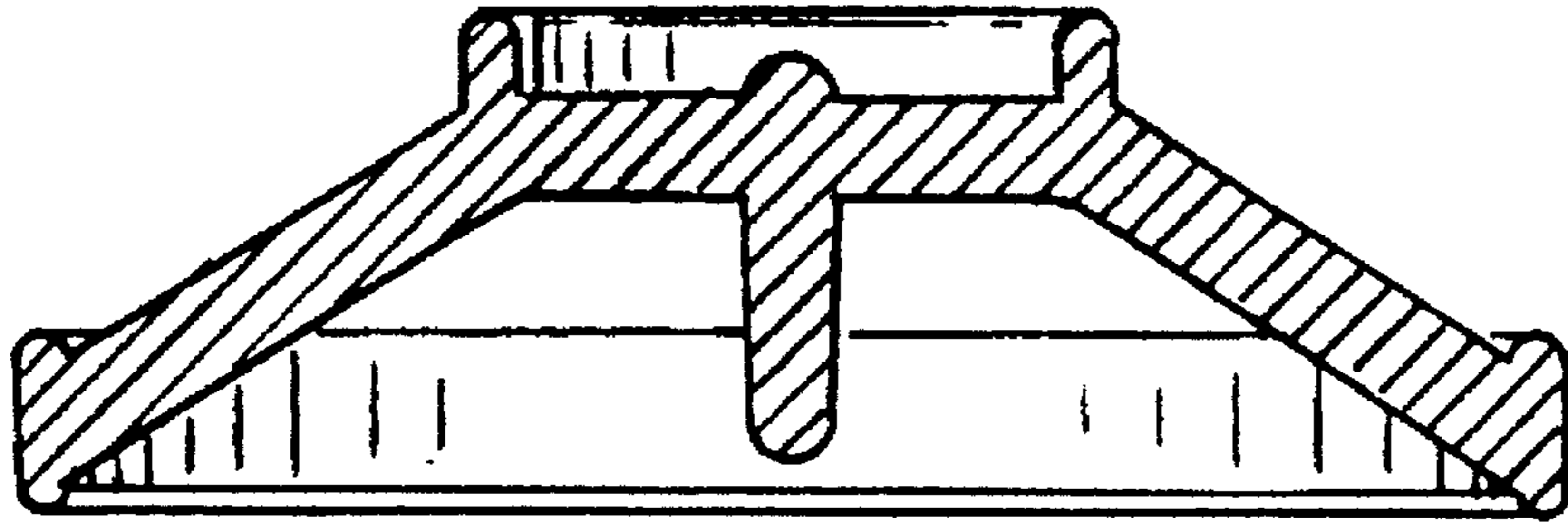


FIG. 6

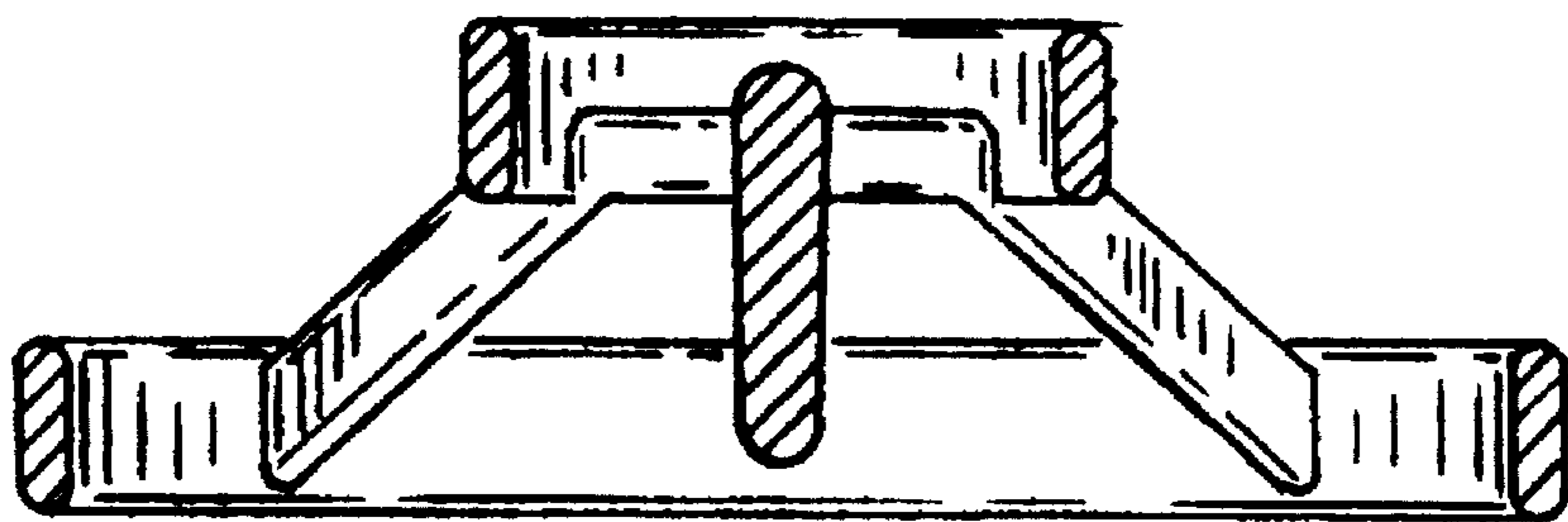


FIG. 7