



US00D374146S

United States Patent [19]

[11] Patent Number: **Des. 374,146**

Bonaddio et al.

[45] Date of Patent: ****Oct. 1, 1996**

[54] **TWO-PIECE INTERLOCKING PILLOW UNIT**

Primary Examiner—Lisa P. Lichtenstein
Attorney, Agent, or Firm—Natan Epstein

[75] Inventors: **Vincenzo A. Bonaddio**, Boothwyn, Pa.;
David Johns, Riverside, Calif.

[57] **CLAIM**

The ornamental design for a two-piece interlocking pillow unit, as shown and described.

[73] Assignee: **Foamex L.P.**, Linwood, Pa.

[**] Term: **14 Years**

DESCRIPTION

[21] Appl. No.: **42,429**

FIG. 1 is a front right perspective view of a two-piece interlocking pillow unit showing our new design;

[22] Filed: **Aug. 10, 1995**

FIG. 2 is a right side view thereof;

[52] U.S. Cl. **D6/601; D6/596**

FIG. 3 is a front view thereof;

[58] Field of Search D6/601, 595, 596,
D6/501, 502; 5/636, 652, 630, 632, 633,
481

FIG. 4 is a left side view thereof;

FIG. 5 is a rear view thereof;

[56] **References Cited**

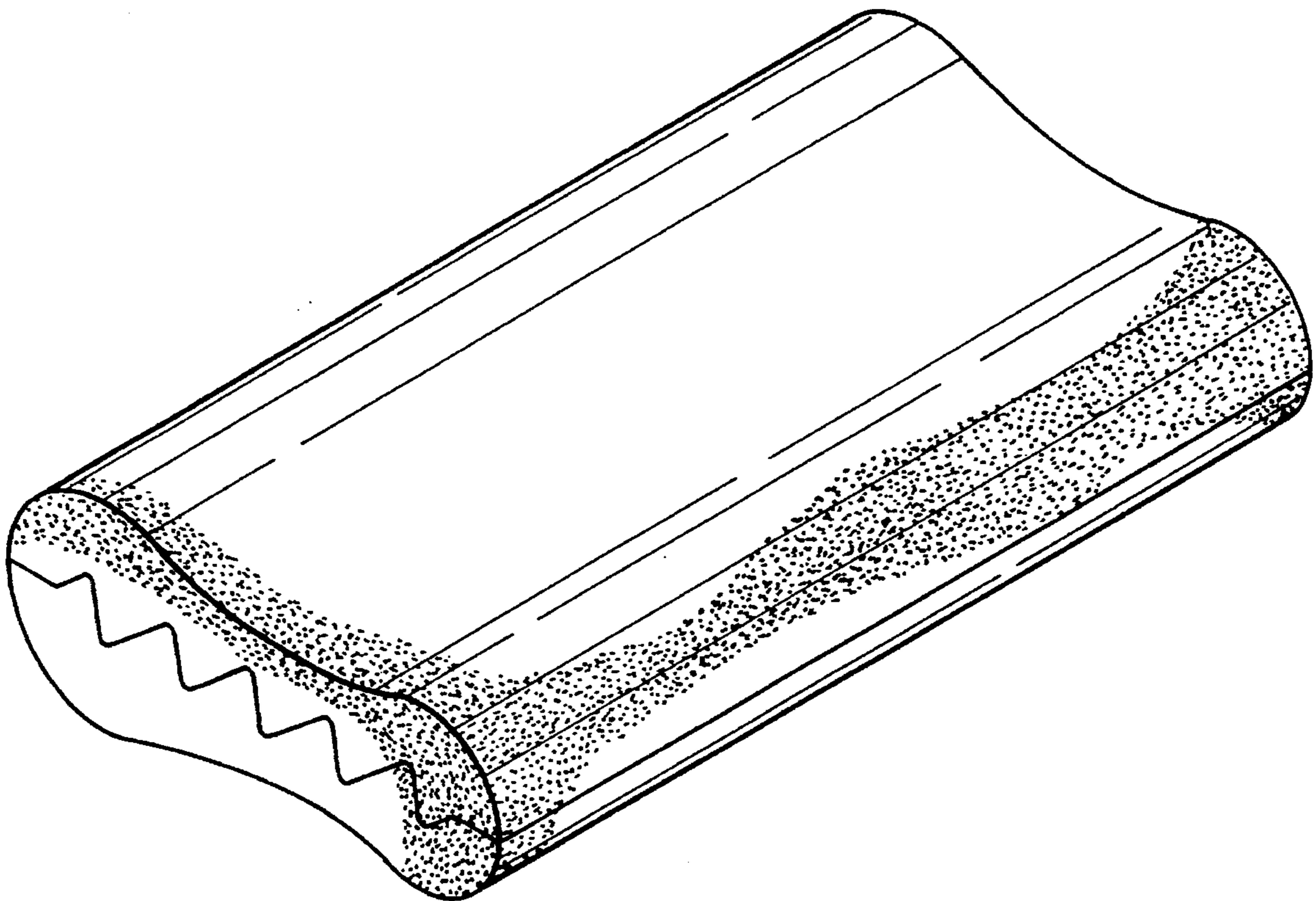
FIG. 6 is a top view thereof, the opposite bottom view being substantially identical; and,

U.S. PATENT DOCUMENTS

FIG. 7 is an exploded perspective view thereof showing the interlocking inner faces of the two pieces constituting the pillow.

D. 259,689	6/1981	Handel	D6/502
4,207,636	6/1980	Ceriani	5/636
4,916,765	4/1990	Castronovo, Jr.	5/636

1 Claim, 2 Drawing Sheets



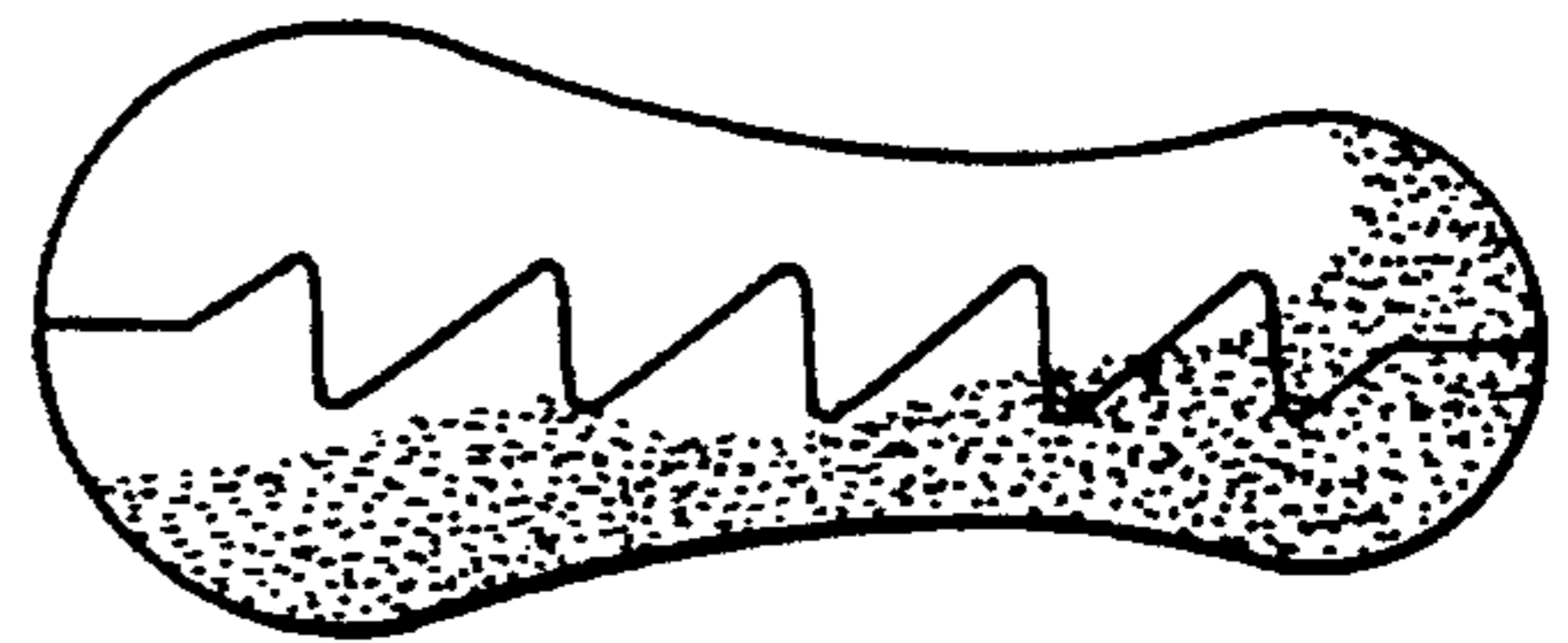
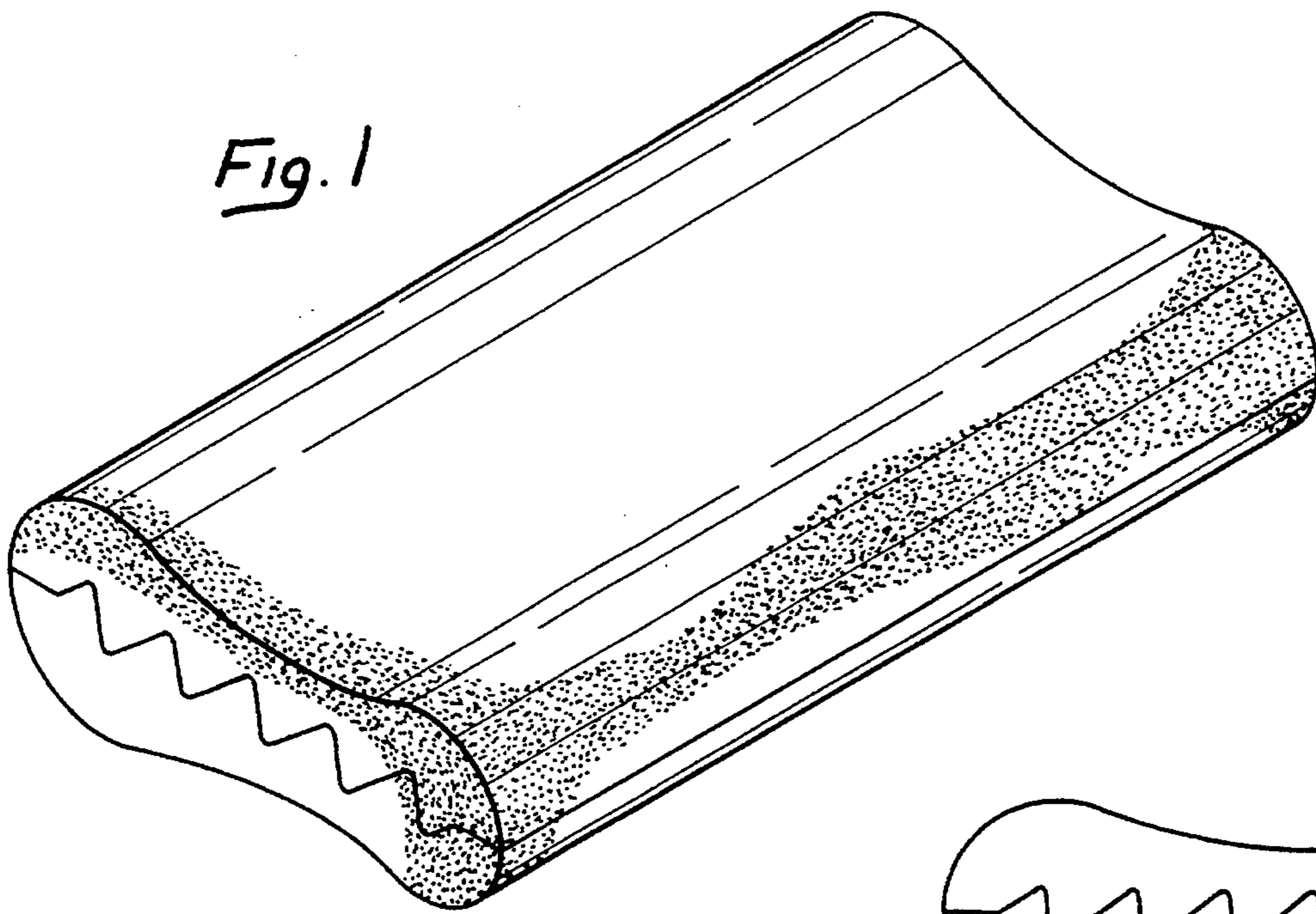


Fig. 2

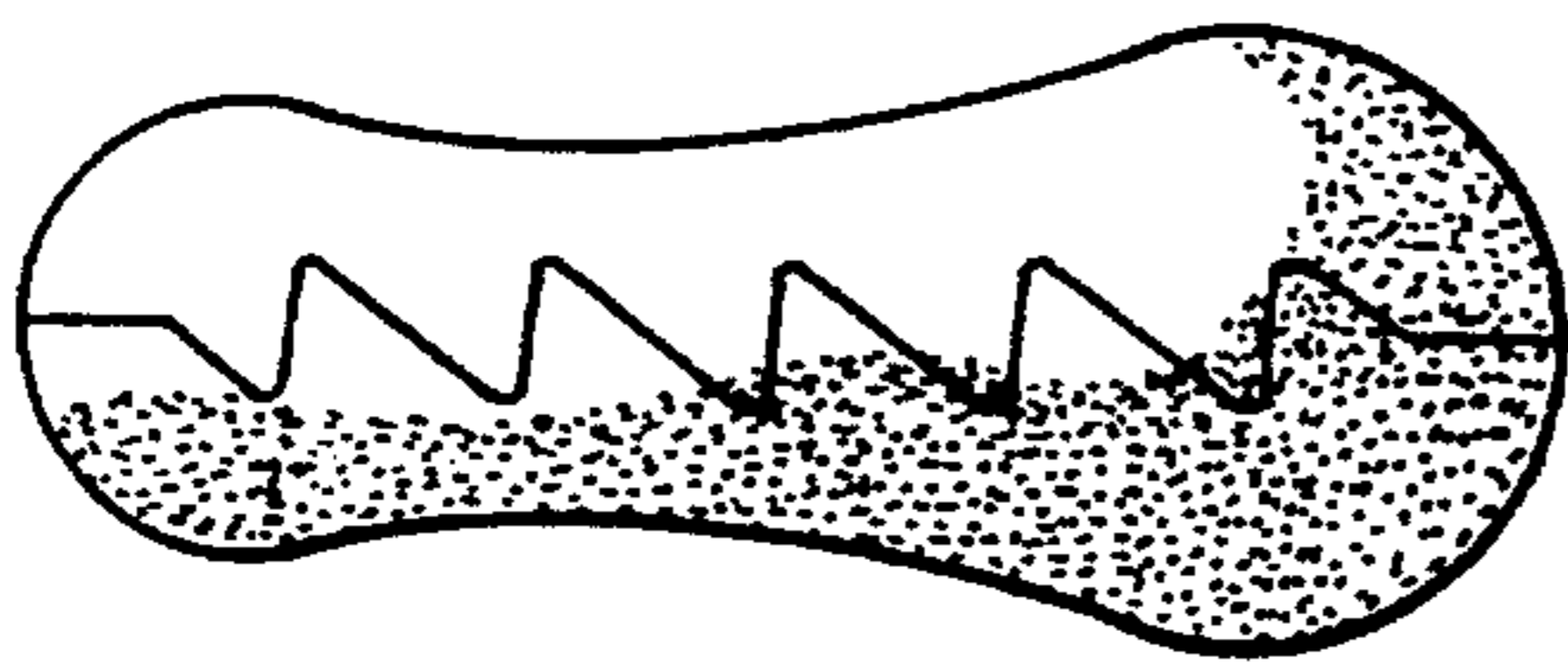


Fig. 4

Fig. 3

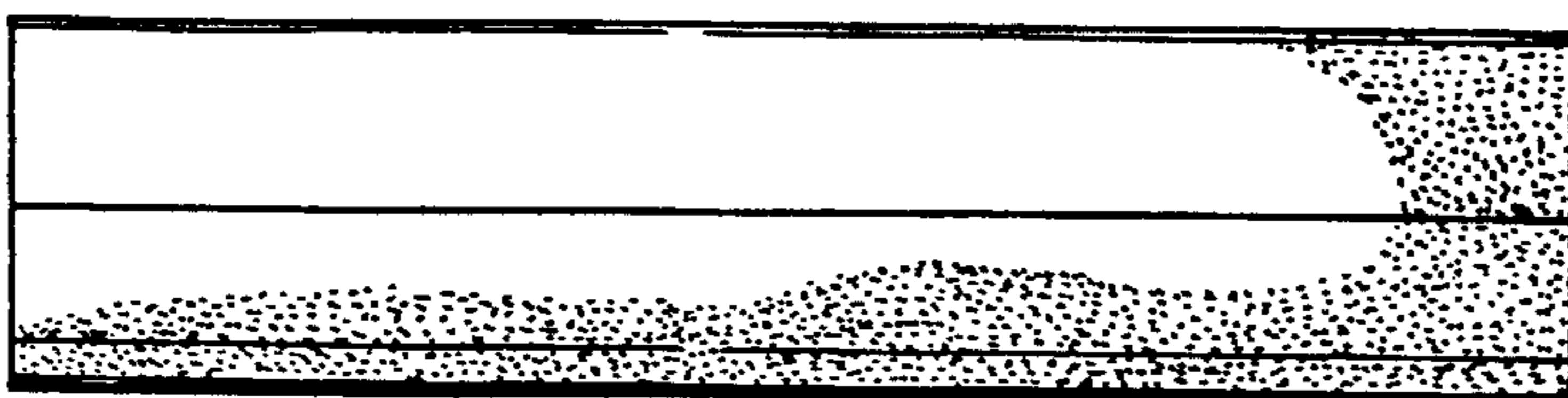
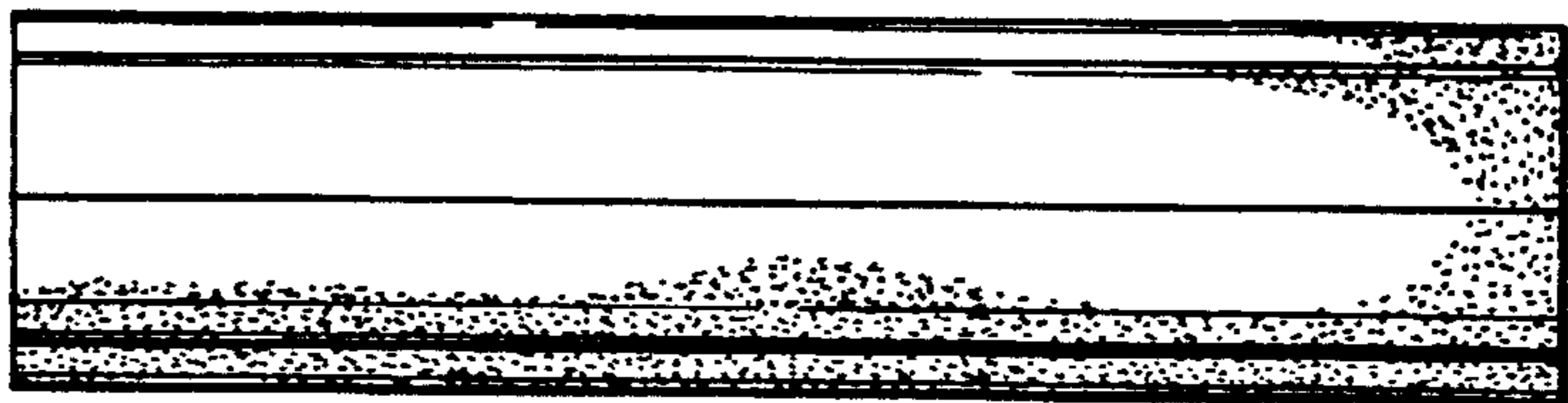


Fig. 5

Fig. 6

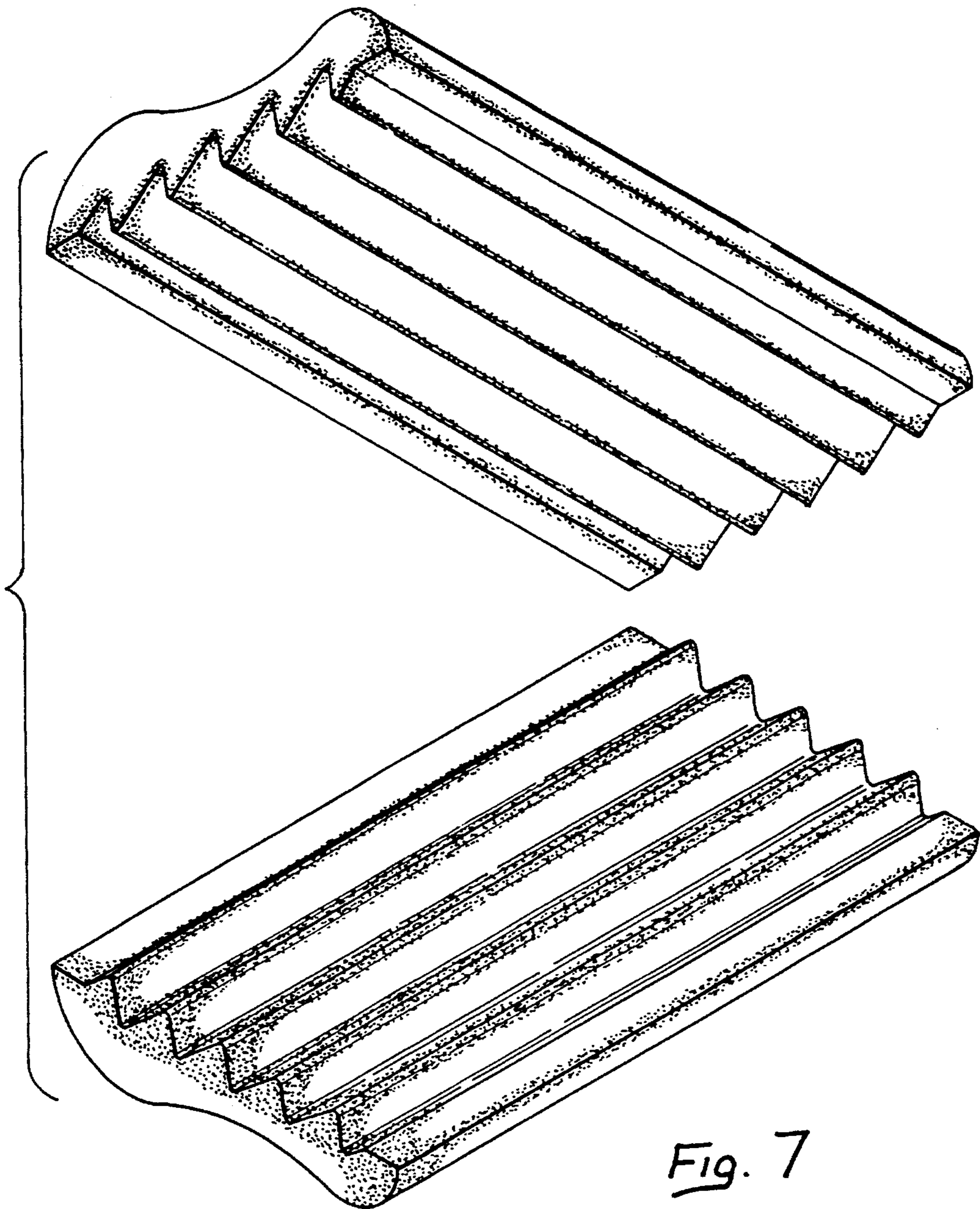
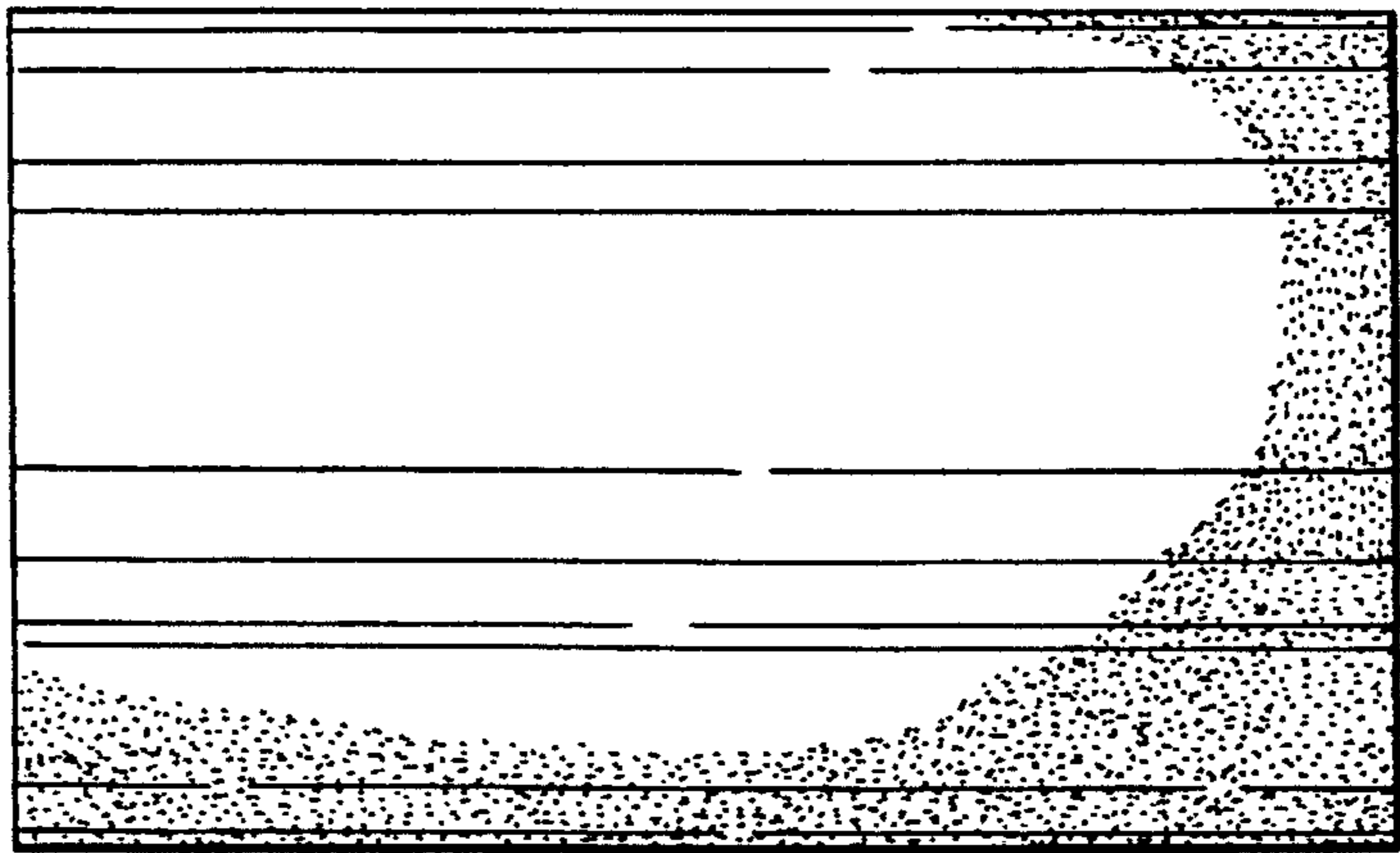


Fig. 7