



US00D374128S

United States Patent [19]
Yoder, Jr.

[11] **Patent Number:** **Des. 374,128**
[45] **Date of Patent:** ****Oct. 1, 1996**

[54] **CHAISE LOUNGE**

[76] Inventor: **James H. Yoder, Jr.**, 1111 Daniels Church Rd., Lincolnton, N.C. 28092

[**] Term: **14 Years**

[21] Appl. No.: **38,973**

[22] Filed: **May 16, 1995**

[52] U.S. Cl. **D6/361; D6/370**

[58] Field of Search D6/334, 360, 361,
D6/370, 374, 379, 380, 500, 501, 502;
297/377, 451.13

[56] **References Cited**

U.S. PATENT DOCUMENTS

D. 102,030	11/1936	Hoffmann	D6/370
D. 279,243	6/1985	Vanderminder	D6/370
D. 342,629	12/1993	Tseng	D6/370
D. 358,263	5/1995	Yoder, Jr.	D6/370
5,427,435	6/1995	Yoder, Jr.	297/377

OTHER PUBLICATIONS

Making Plastic Pipe Furniture, Max & Charlotte Alth, 1981, p. 115, Chair at top left.

Primary Examiner—Gary D. Watson
Attorney, Agent, or Firm—W. Thad Adams, III P.A.

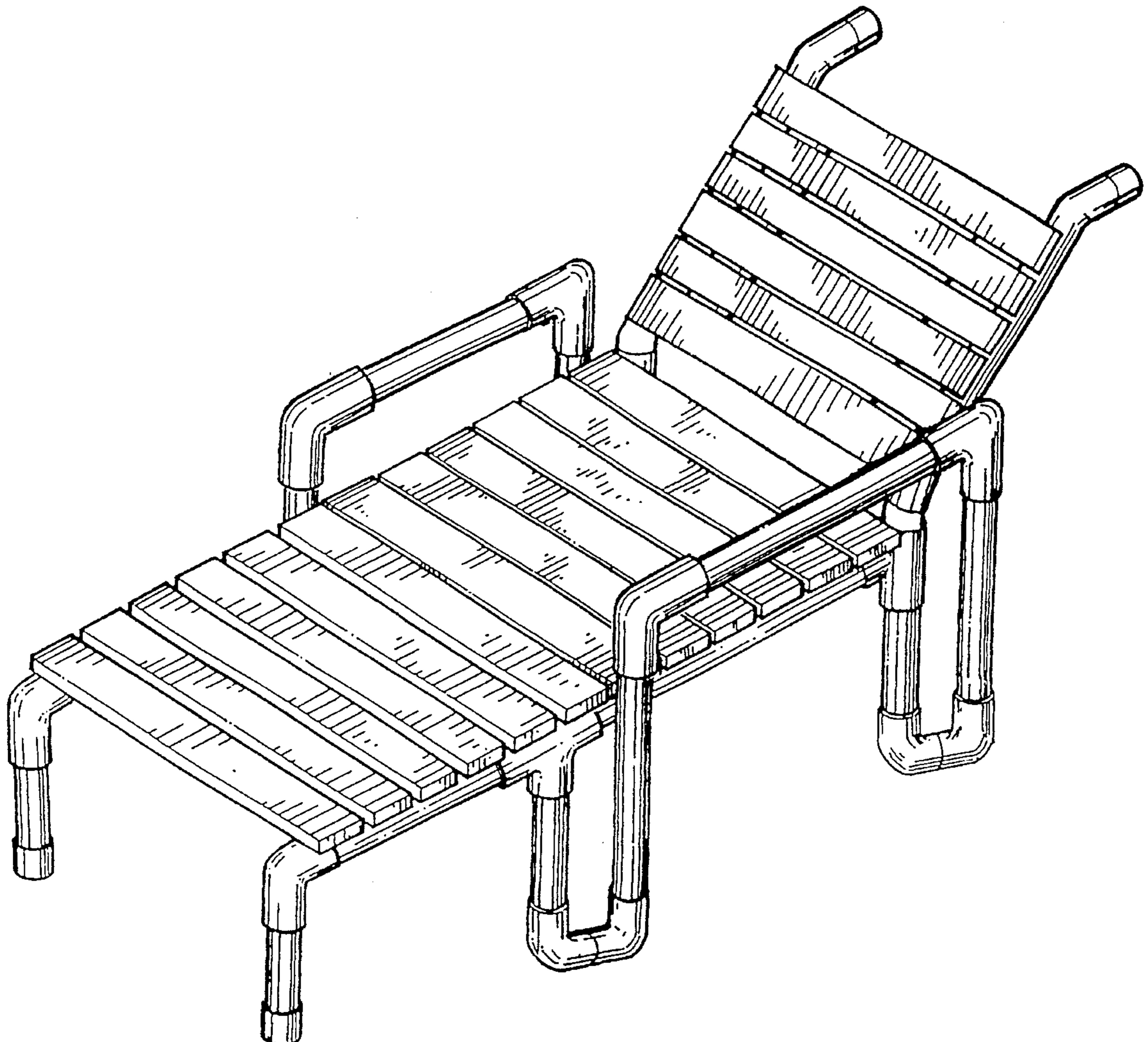
[57] **CLAIM**

The ornamental design for a chaise lounge, as shown.

DESCRIPTION

FIG. 1 is a perspective view of the chaise lounge; FIG. 2 is a left side elevational view of the chaise lounge; FIG. 3 is a right side elevational view of the chaise lounge; FIG. 4 is a front elevational view of the chaise lounge; FIG. 5 is a back elevational view of the chaise lounge; FIG. 6 is a bottom plan view of the chaise lounge; and, FIG. 7 is a top plan view of the chaise lounge.

1 Claim, 5 Drawing Sheets



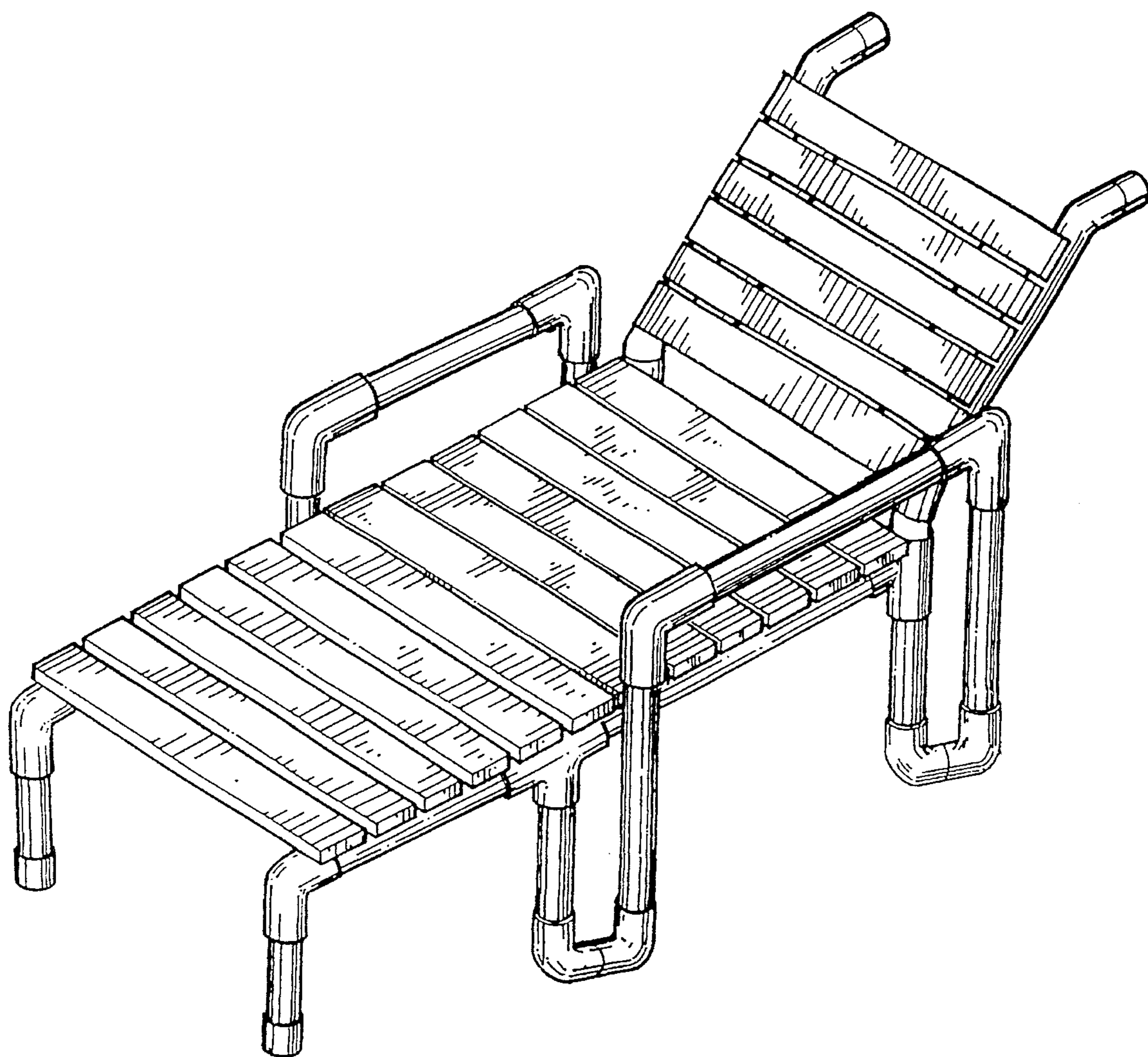


Fig. 1

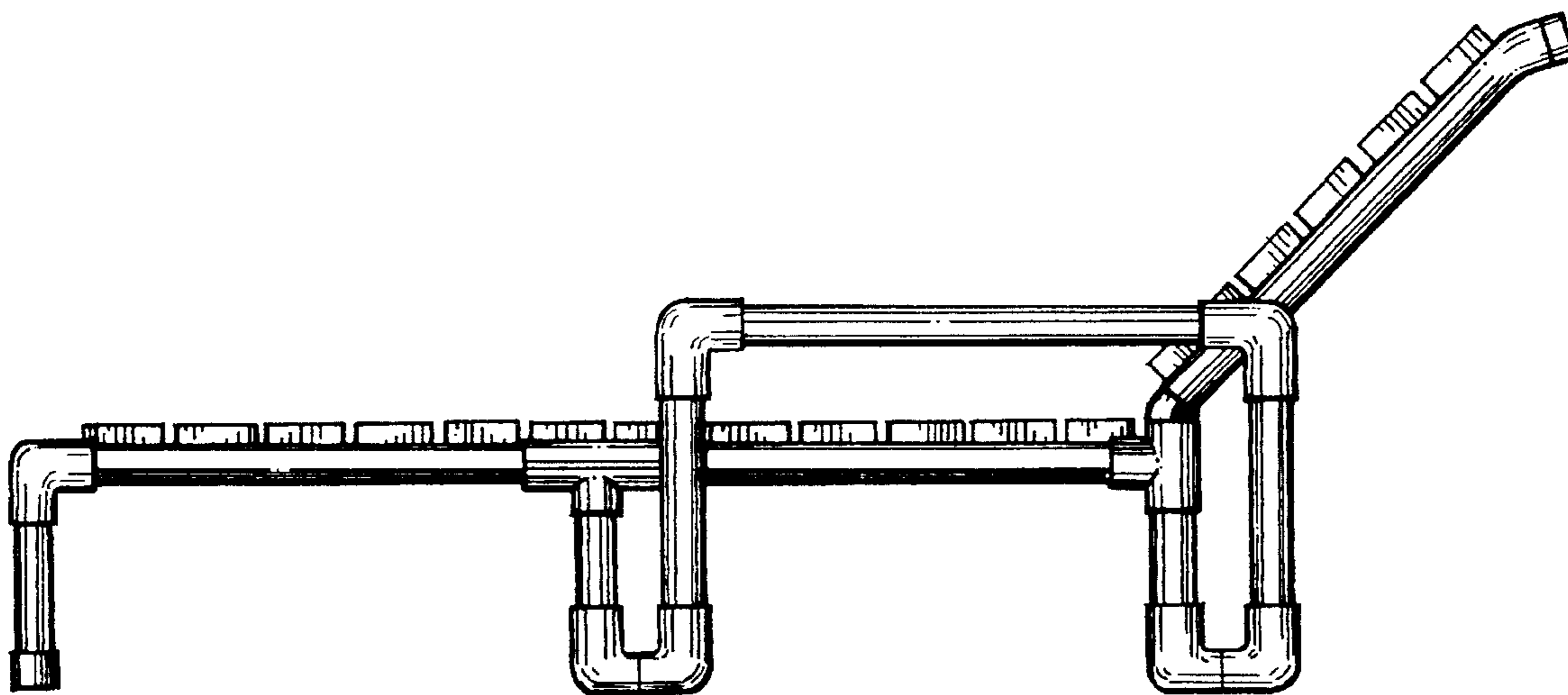


Fig. 2

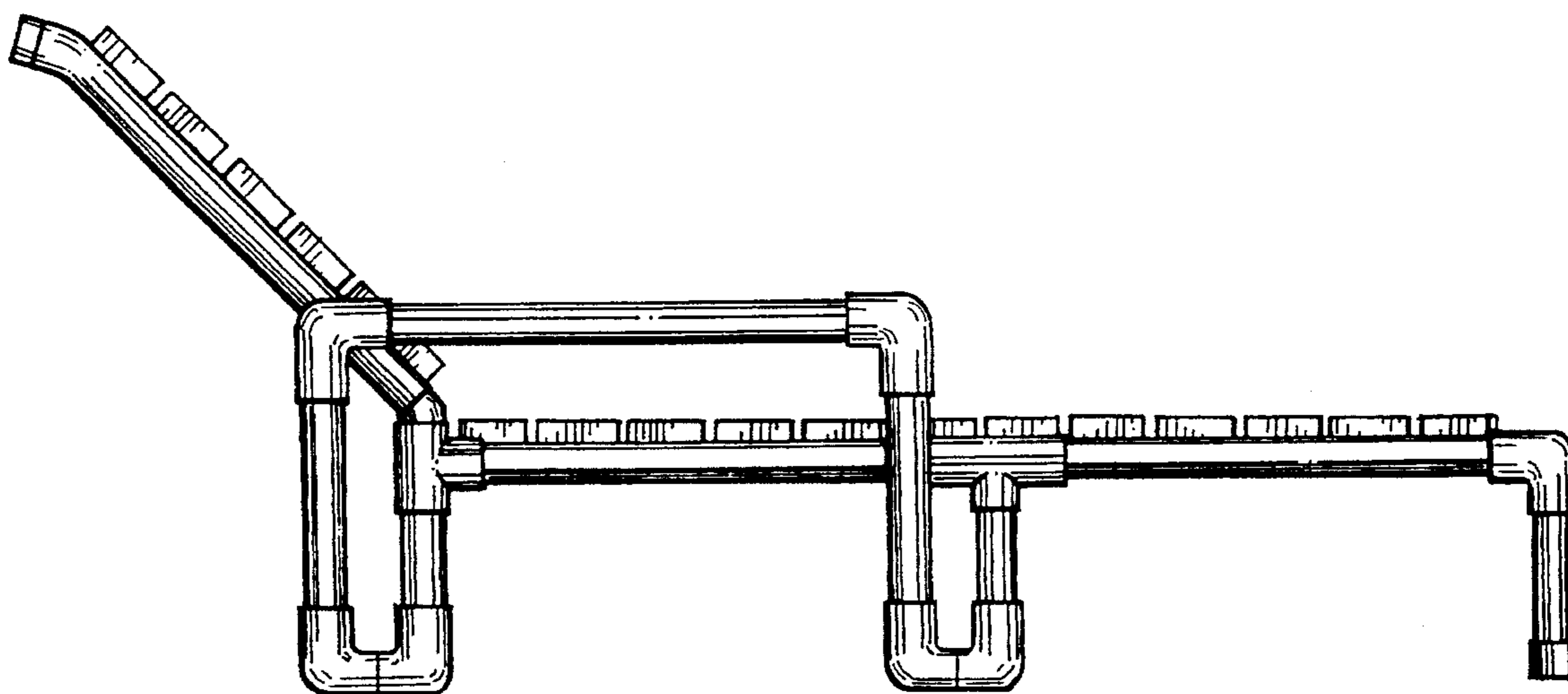


Fig. 3

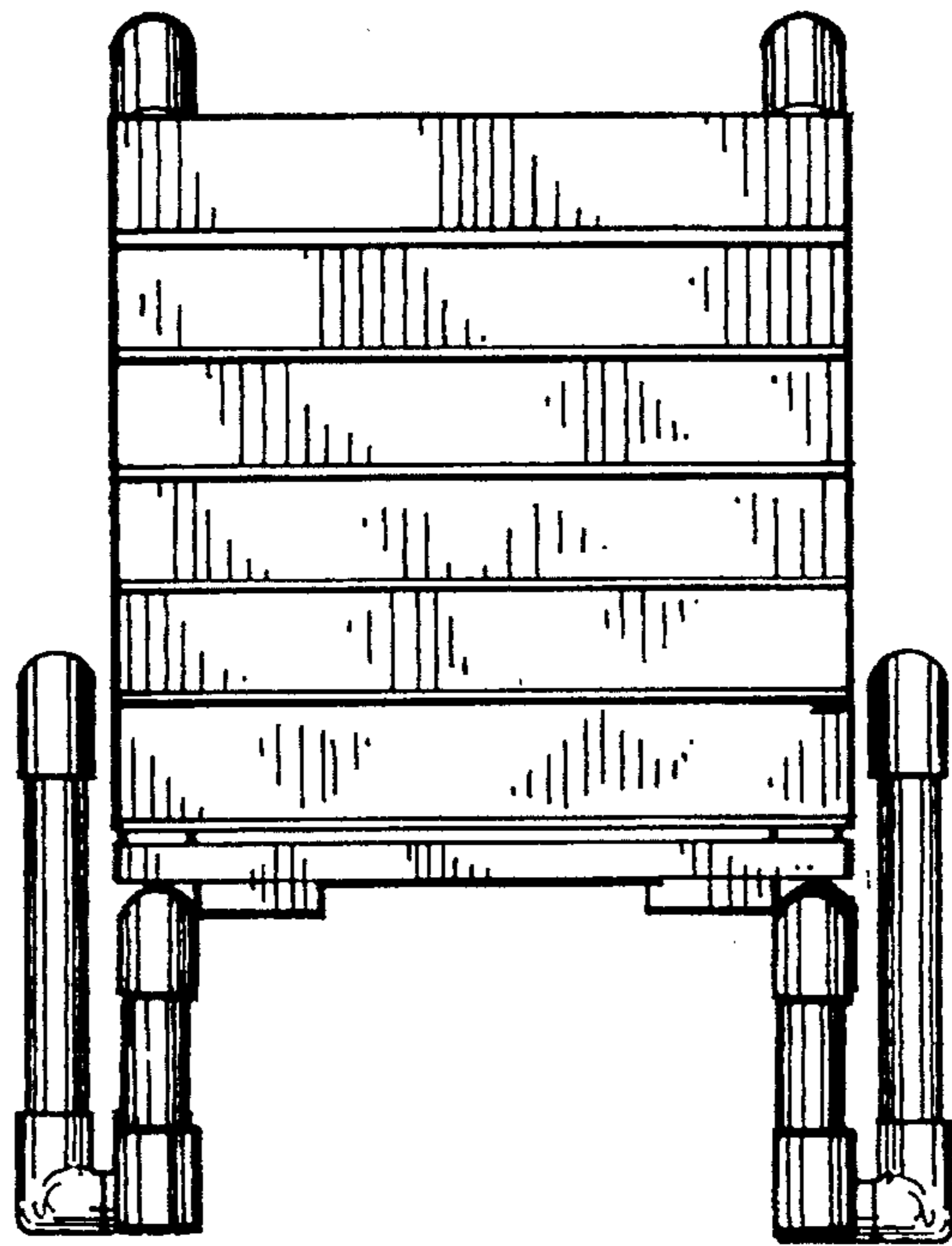


Fig. 4

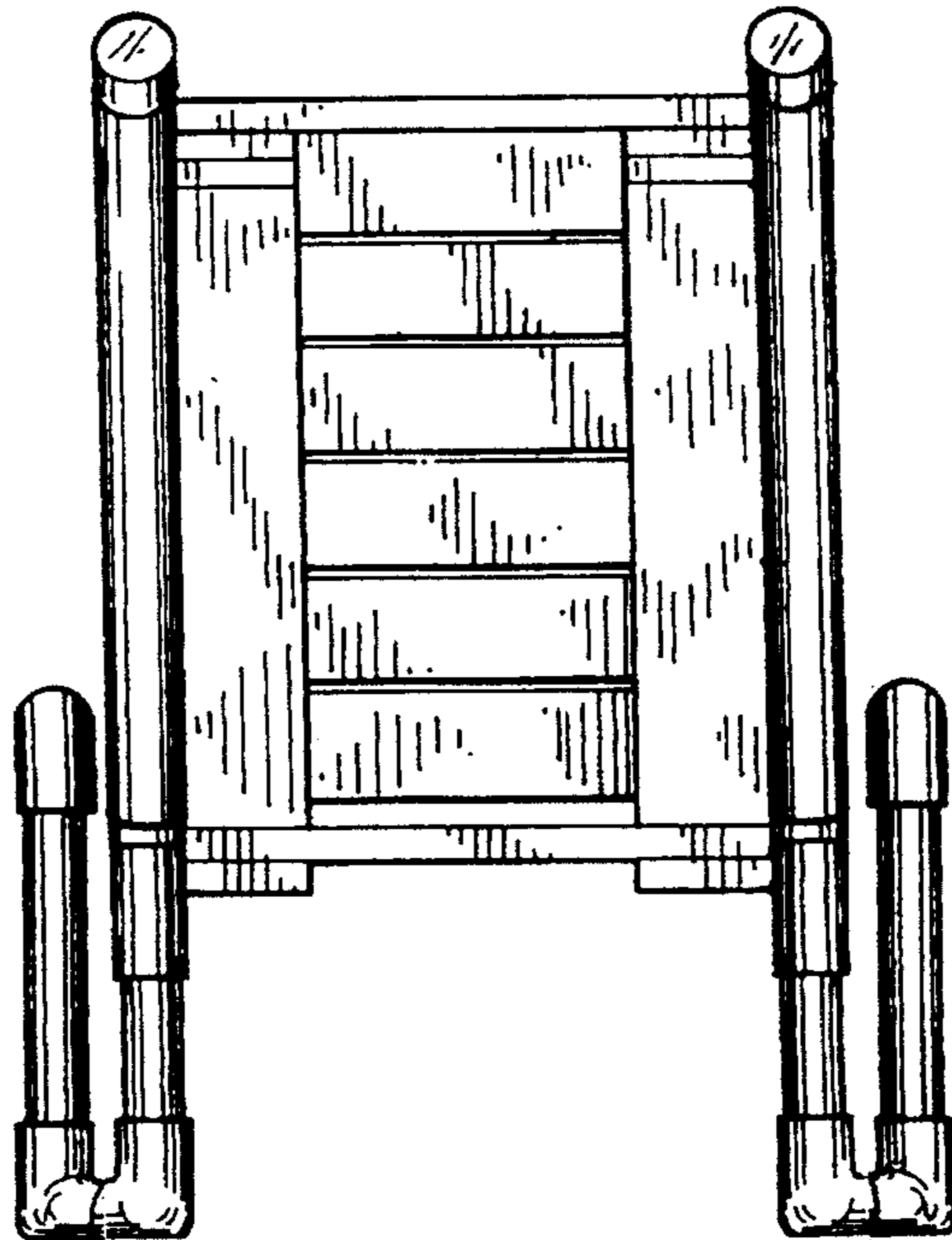


Fig. 5

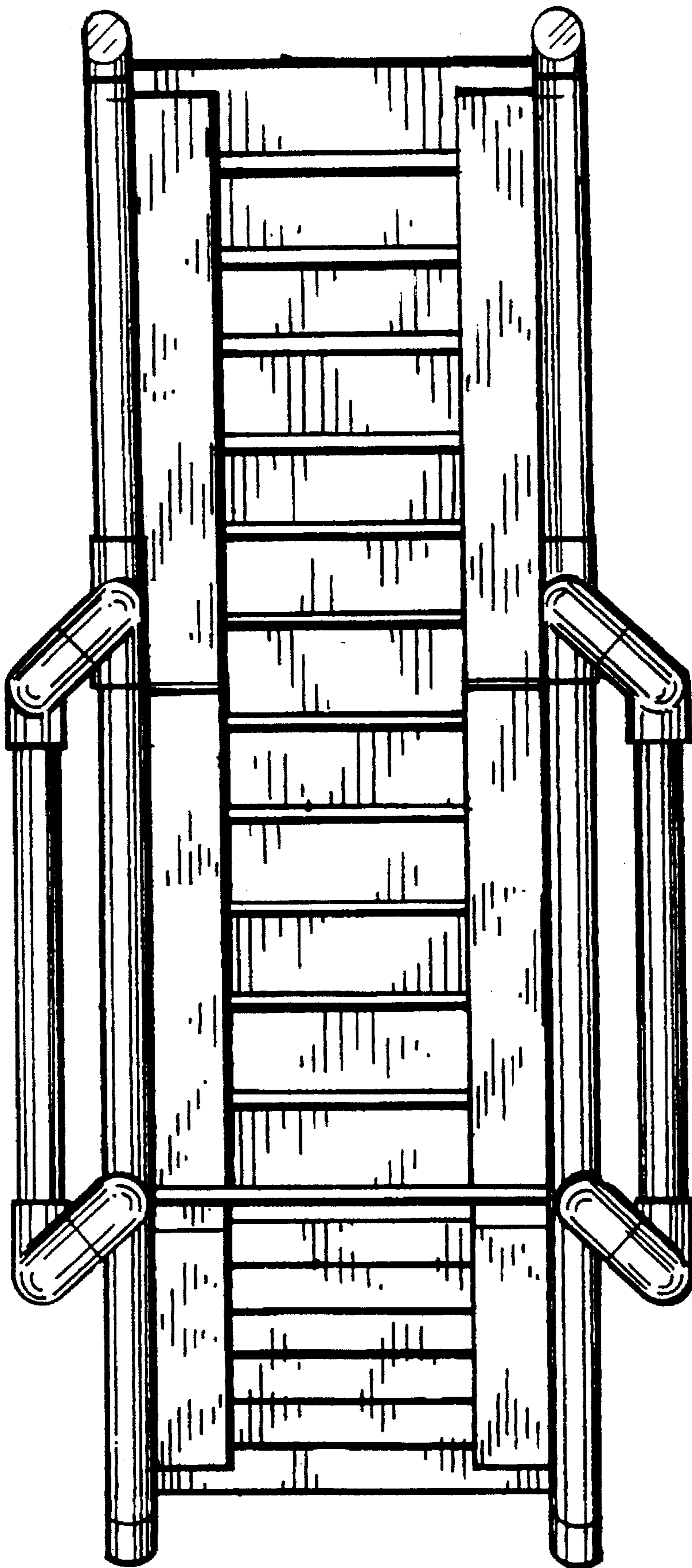


Fig. 6

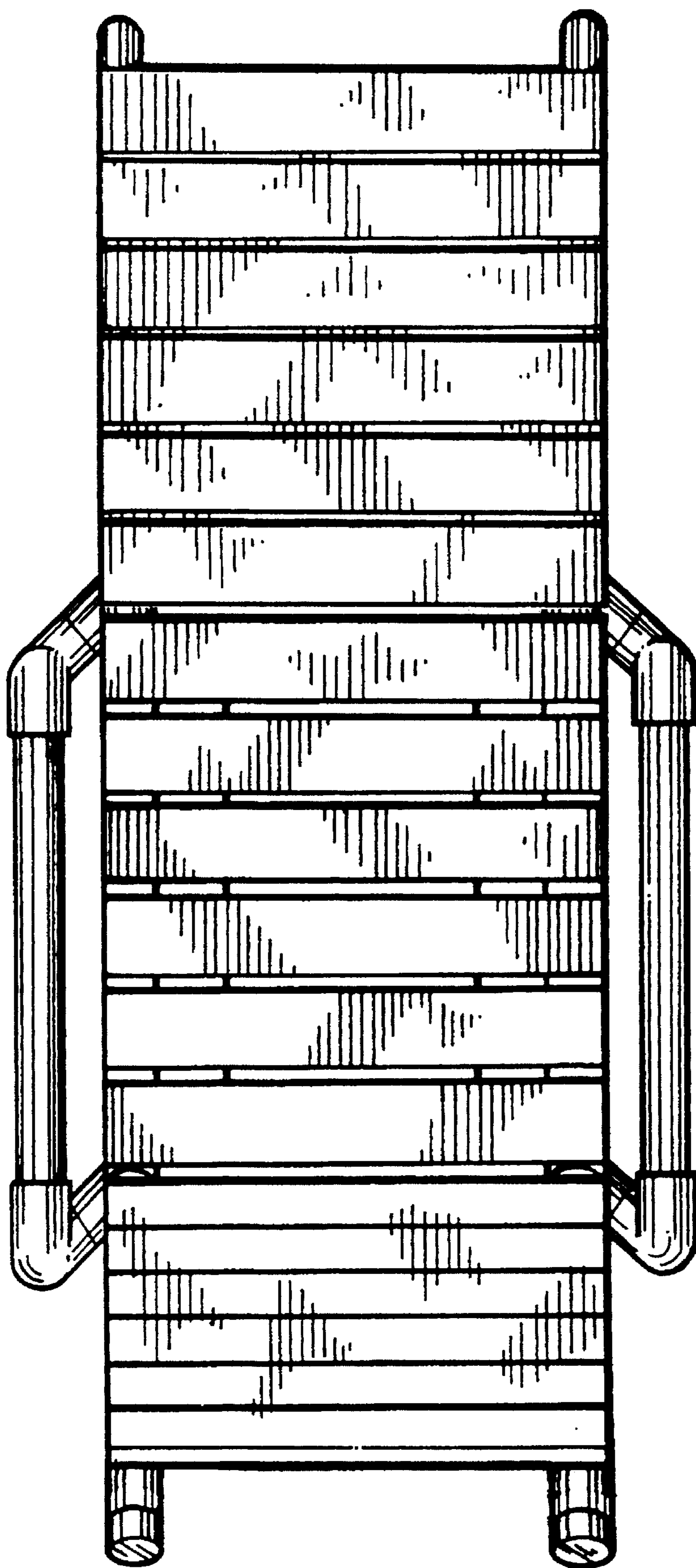


Fig. 7