



US00D374124S

United States Patent [19]

[11] Patent Number: Des. 374,124

Natuzzi et al.

[45] Date of Patent: **Oct. 1, 1996

[54] SEAT

[75] Inventors: Pasquale Natuzzi; Raffaella Lucarelli, both of Santeramo In Colle, Italy

[73] Assignee: Industrie Natuzzi, Spa, Bari, Italy

[**] Term: 14 Years

[21] Appl. No.: 43,736

[22] Filed: Sep. 11, 1995

[52] U.S. Cl. D6/335; D6/381

[58] Field of Search D6/334, 335, 336, D6/364, 371, 373, 381, 500, 501, 502; 297/232

[56] References Cited

U.S. PATENT DOCUMENTS

D. 293,744 1/1988 Mallison D6/381
D. 355,309 2/1995 Natuzzi et al. D6/381

OTHER PUBLICATIONS

Natuzzi Model 172, Apr. 1986 at International Home Furnishings Market in High Point, North Carolina.
Natuzzi Model 172 (sectional), Apr. 1986 at International Home Furnishings Market in High Point, North Carolina.
Natuzzi Model 446, Apr. 1988 at International Home Furnishings Market in High Point, North Carolina.
Natuzzi Model 446 (sectional), Apr. 1988 at International Home Furnishings Market in High Point, North Carolina.
Natuzzi Model 499, Apr. 1989 at International Home Furnishings Market in High Point, North Carolina.
Natuzzi Model 616/617, Oct. 1988 at International Home Furnishings Market in High Point, North Carolina.
Natuzzi Model 616/617 (sectional), Oct. 1988 at International Home Furnishings Market in High Point, North Carolina.
Natuzzi Model 622/623, Oct. 1988 at International Home Furnishings Market in High Point, North Carolina.
Natuzzi Model 622/623 (sectional), Oct. 1988 at International Home Furnishings Market in High Point, North Carolina.
Natuzzi Model 757, Apr. 1990 at International Home Furnishings Market in High Point, North Carolina.

Natuzzi Model 764, Apr. 1990 at International Home Furnishings Market in High Point, North Carolina.
Natuzzi Model 821, Apr. 1991 at International Home Furnishings Market in High Point, North Carolina.
Natuzzi Model 821 (sectional), Apr. 1991 at International Home Furnishings Market in High Point, North Carolina.
Natuzzi Model 847, Apr. 1991 at International Home Furnishings Market in High Point, North Carolina.
Natuzzi Model 848, Apr. 1991 at International Home Furnishings Market in High Point, North Carolina.
Natuzzi Model 848 (sectional), Apr. 1991 at International Home Furnishings Market in High Point, North Carolina.
Natuzzi Model 894, Apr. 1992 at International Home Furnishings Market in High Point, North Carolina.
Natuzzi Model 894 (sectional), Apr. 1992 at International Home Furnishings Market in High Point, North Carolina.
Natuzzi Model 975, Oct. 1992 at International Home Furnishings Market in High Point, North Carolina.
Natuzzi Model 975 (sectional), Oct. 1992 at International Home Furnishings Market in High Point, North Carolina.
Natuzzi Model 1054, Apr. 1993 at International Home Furnishings Market in High Point, North Carolina.
Natuzzi Model 1054 (sectional), Apr. 1993 at International Home Furnishings Market in High Point, North Carolina.
Natuzzi Model 1088, Oct. 1993 at International Home Furnishings Market in High Point, North Carolina.
Natuzzi Model 1124, Jan. 1994 at International Home Furnishings Market in High Point, North Carolina.
Natuzzi Model 1144 (sectional), Apr. 16, 1994 at International Home Furnishings Market in High Point, North Carolina.
Woodward & Lothrop Directions, p. 21, sofa in background of bottom frame.
Wayline, Jul. 1988, Sectional sofa #668.

Primary Examiner—Gary D. Watson
Attorney, Agent, or Firm—Bell, Seltzer, Park & Gibson, P.A.

[57] CLAIM

The ornamental design for a seat, as shown and described.

DESCRIPTION

FIG. 1 is a front perspective view of a seat showing our new design in the form of a sectional sofa;
FIG. 2 is a front elevational view thereof;
FIG. 3 is a top plan view thereof;

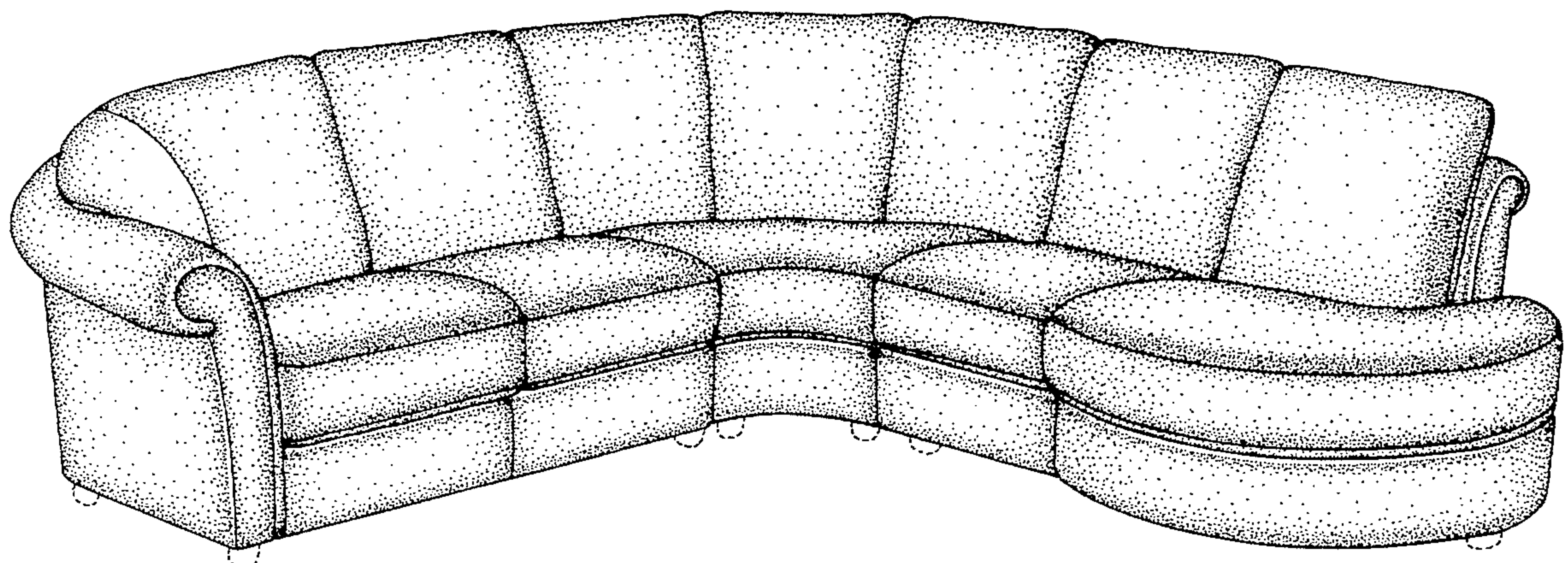


FIG. 4 is a right side elevational view thereof;
FIG. 5 is a right rear perspective view thereof; and,
FIG. 6 is a left rear elevational view thereof.

The broken lines shown herein are for illustrative purposes only and form no part of the claimed design.

1 Claim, 4 Drawing Sheets

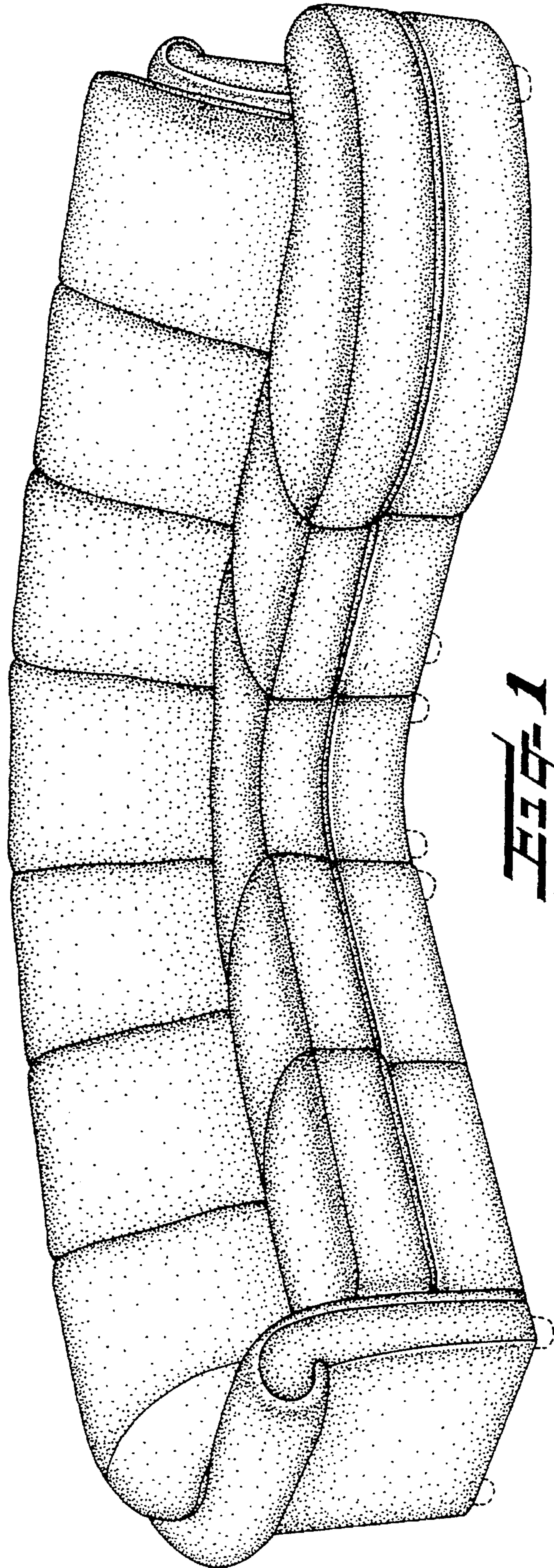


FIG. 1

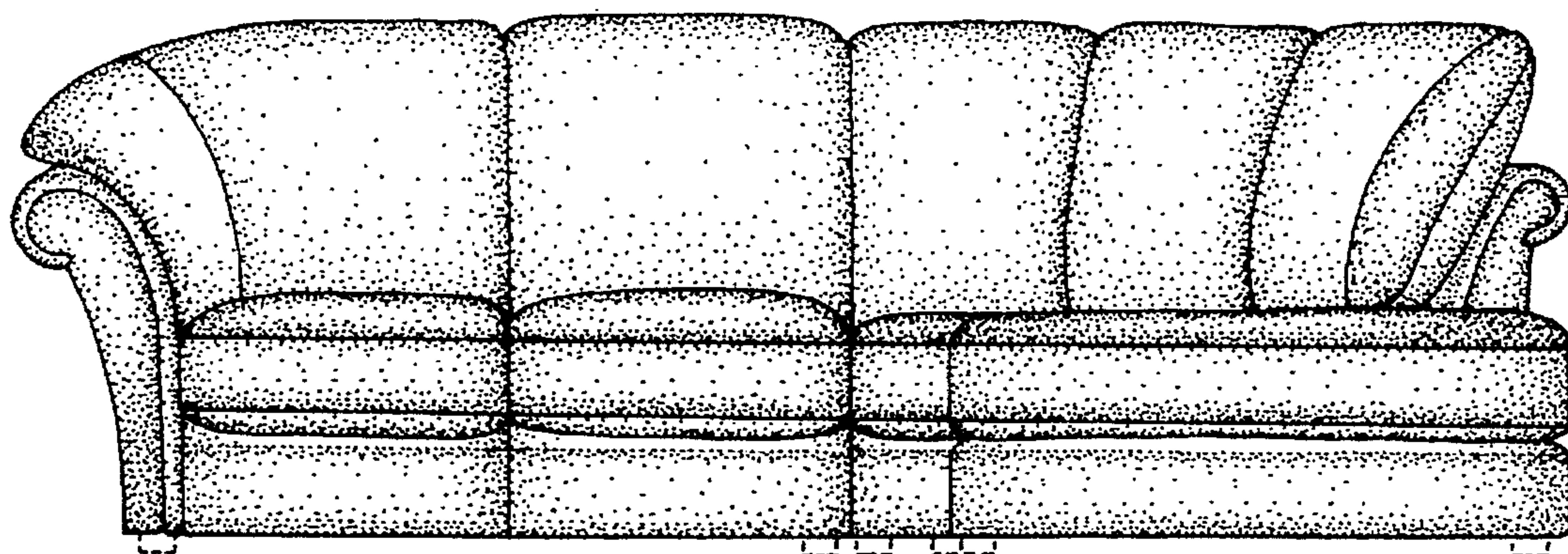


FIG- 2

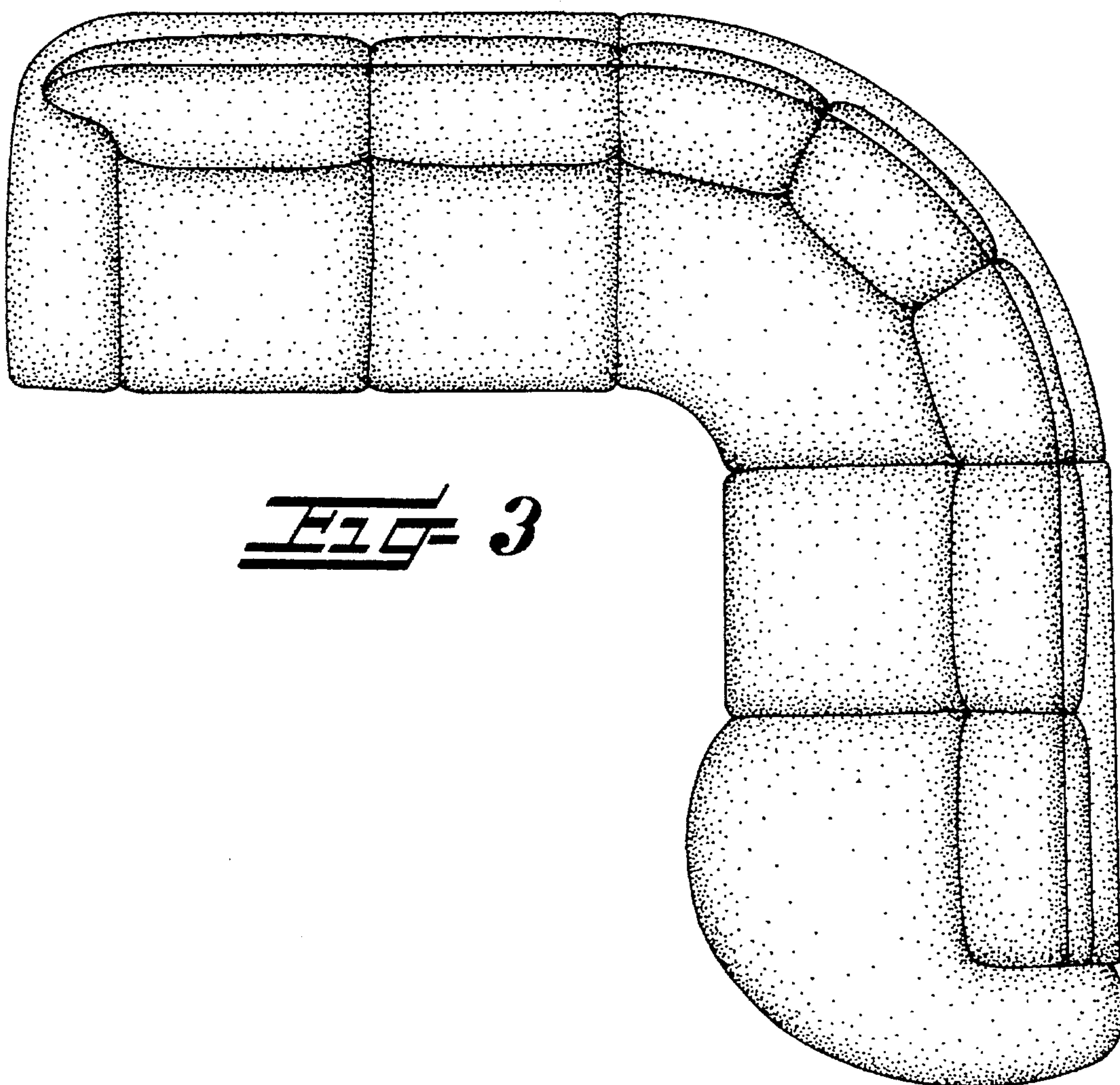


FIG- 3

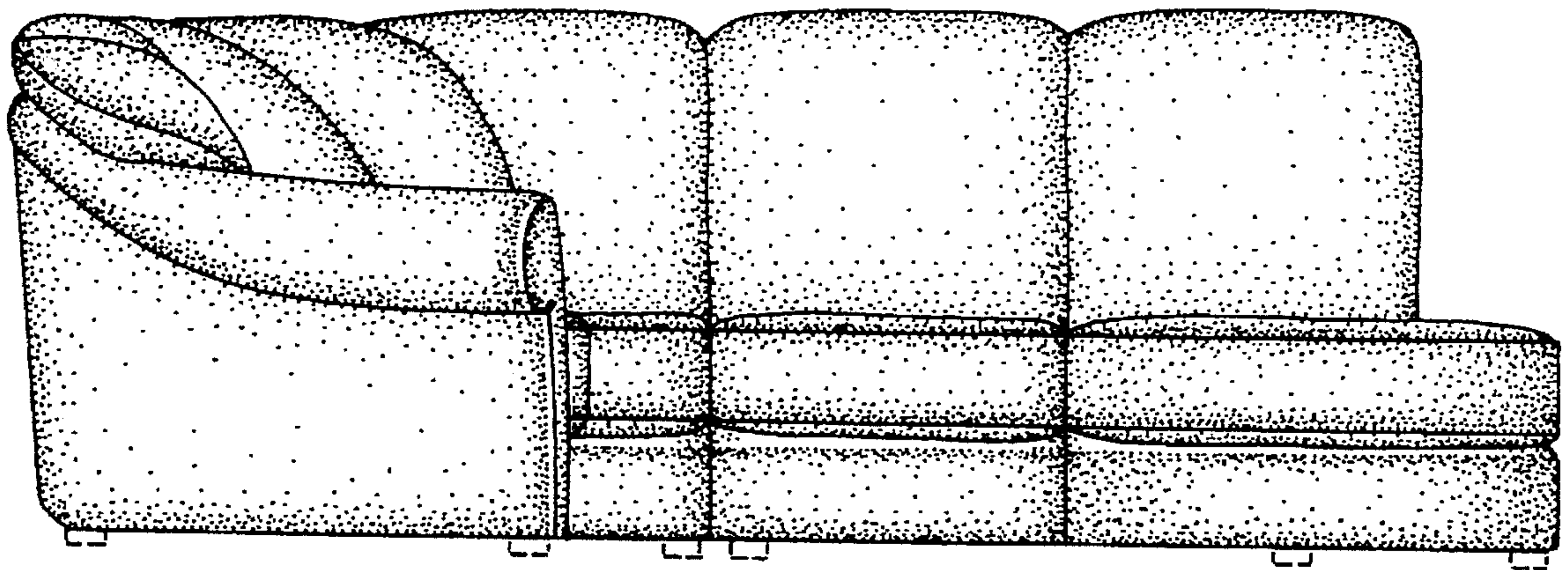


FIG. 4

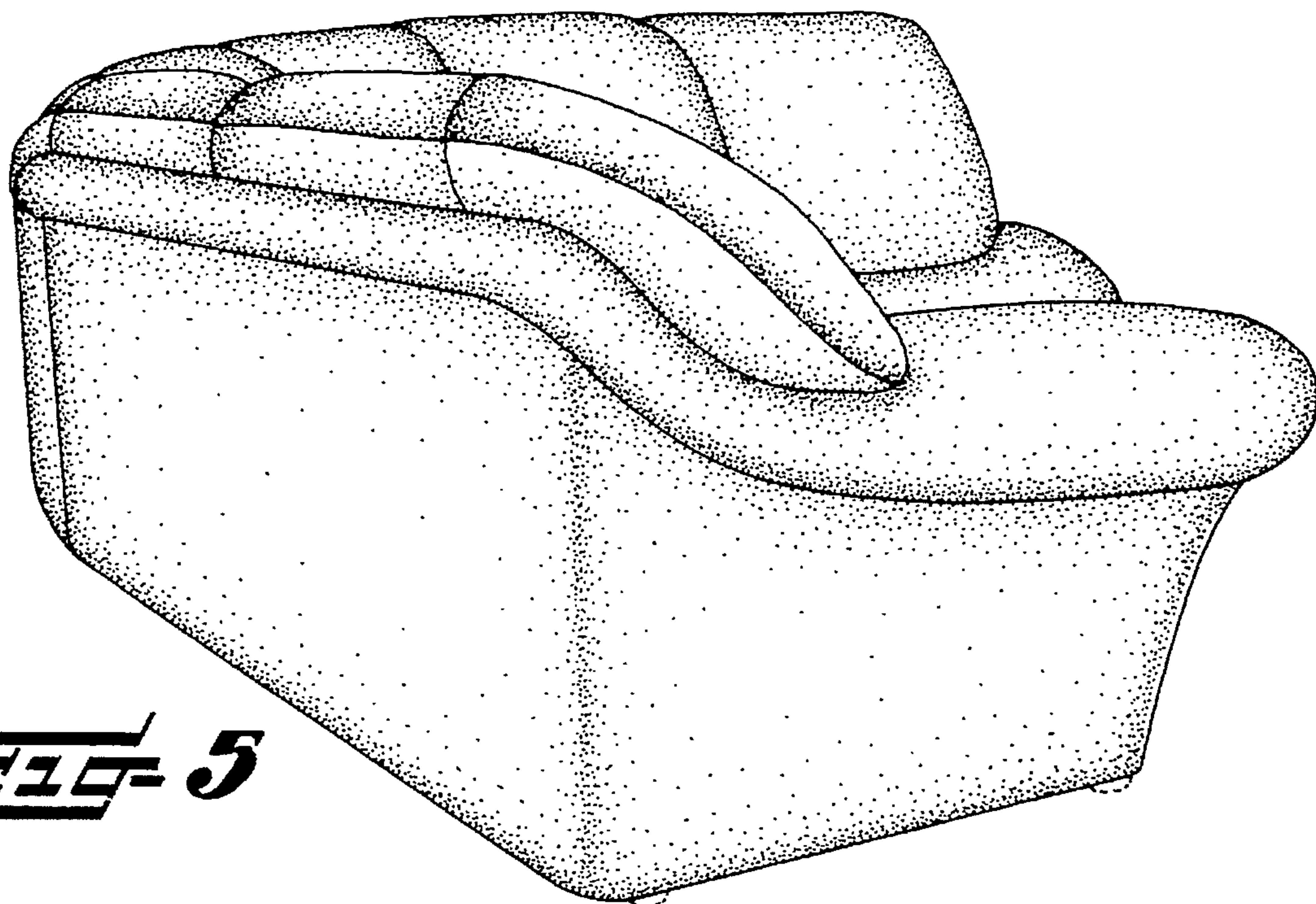


FIG. 5

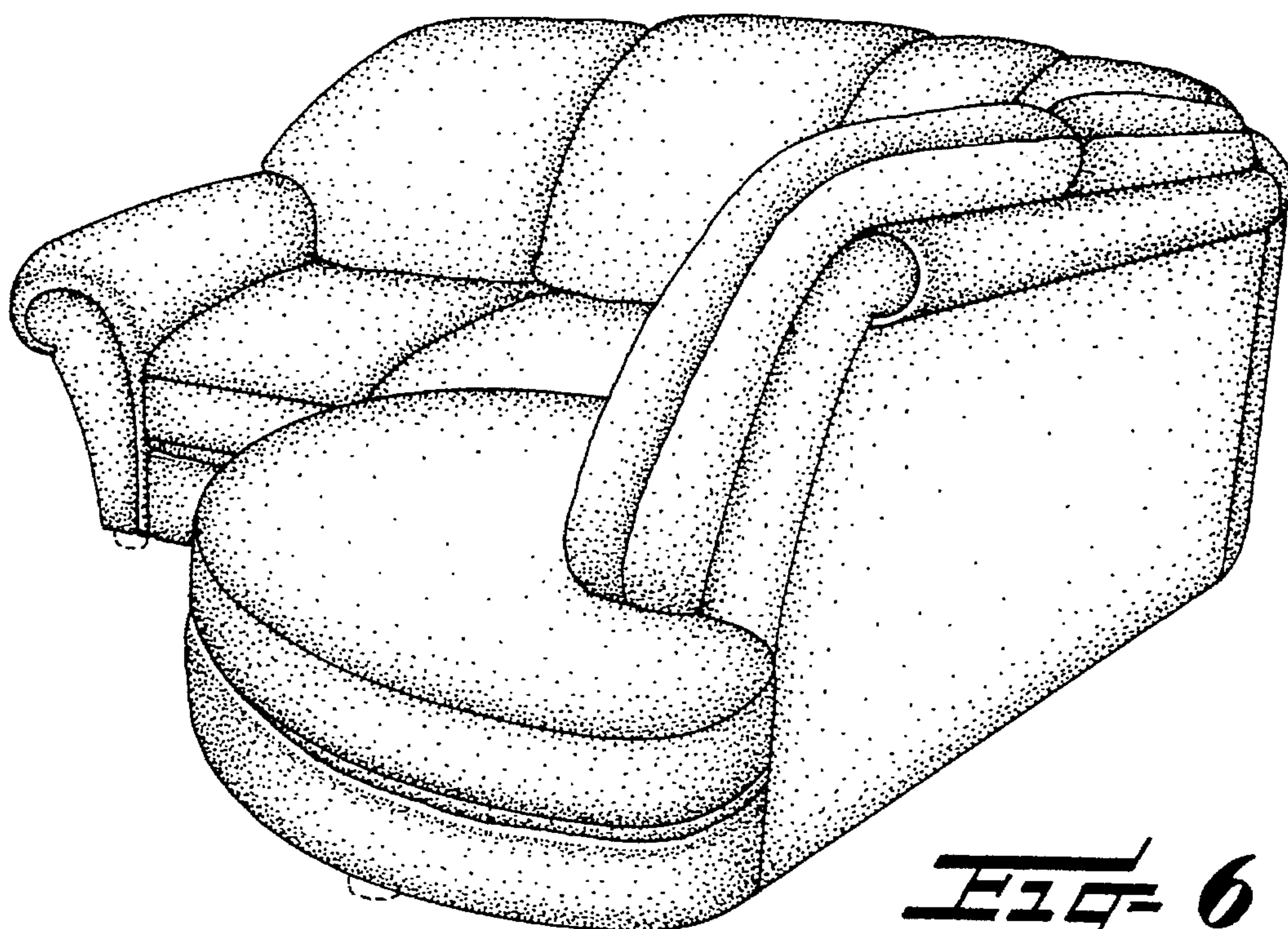


FIG. 6

UNITED STATES PATENT AND TRADEMARK OFFICE
CERTIFICATE OF CORRECTION

PATENT NO. : Des. 374,124
DATED : October 1, 1996
INVENTOR(S) : Natuzzi et al.

It is certified that error appears in the above-identified patent and that said Letters Patent is hereby corrected as shown below:

In the DESCRIPTION, after the last line, insert

--The rear view of Figure 6 is like Figure 5,
the difference being a matter of length.--

Signed and Sealed this
Twenty-fourth Day of December, 1996

Attest:



BRUCE LEHMAN

Attesting Officer

Commissioner of Patents and Trademarks