



US00D374119S

United States Patent [19]

[11] Patent Number: **Des. 374,119**

Noe

[45] Date of Patent: ****Oct. 1, 1996**

[54] **CARRYING CASE FOR SPOOLS OF THREAD**

Attorney, Agent, or Firm—Hovey, Williams, Timmons & Collins

[76] Inventor: **Robert Noe**, 104 W. Wall St., P.O. Box 474, Harrisonville, Mo. 64701

[57] **CLAIM**

[**] Term: **14 Years**

The ornamental configuration of a carrying case for spools of thread, as shown in the drawing figures and described herein.

[21] Appl. No.: **33,320**

DESCRIPTION

[22] Filed: **Jan. 10, 1995**

[52] U.S. Cl. **D3/25**

[58] Field of Search D3/23-26; 223/106, 223/107; 242/127

FIG. 1 is a top, right, front perspective view of my design for a carrying case for spools of thread with the carrying case shown in the closed position with the left side being the mirror image of the right side;

[56] **References Cited**

U.S. PATENT DOCUMENTS

D. 189,777	2/1961	Traum	D3/25
D. 195,666	7/1963	Sheline	D3/25
D. 216,758	3/1970	Di Piero	D3/25
D. 331,316	12/1992	Lord	D3/25
1,047,343	12/1912	Vaughn	223/107
1,858,105	5/1932	Mulrey	223/107
2,401,667	6/1946	Seqr	223/107
5,040,708	8/1991	Blair et al.	223/106

FIG. 2 is a rear elevational view of the carrying case shown in the closed position;

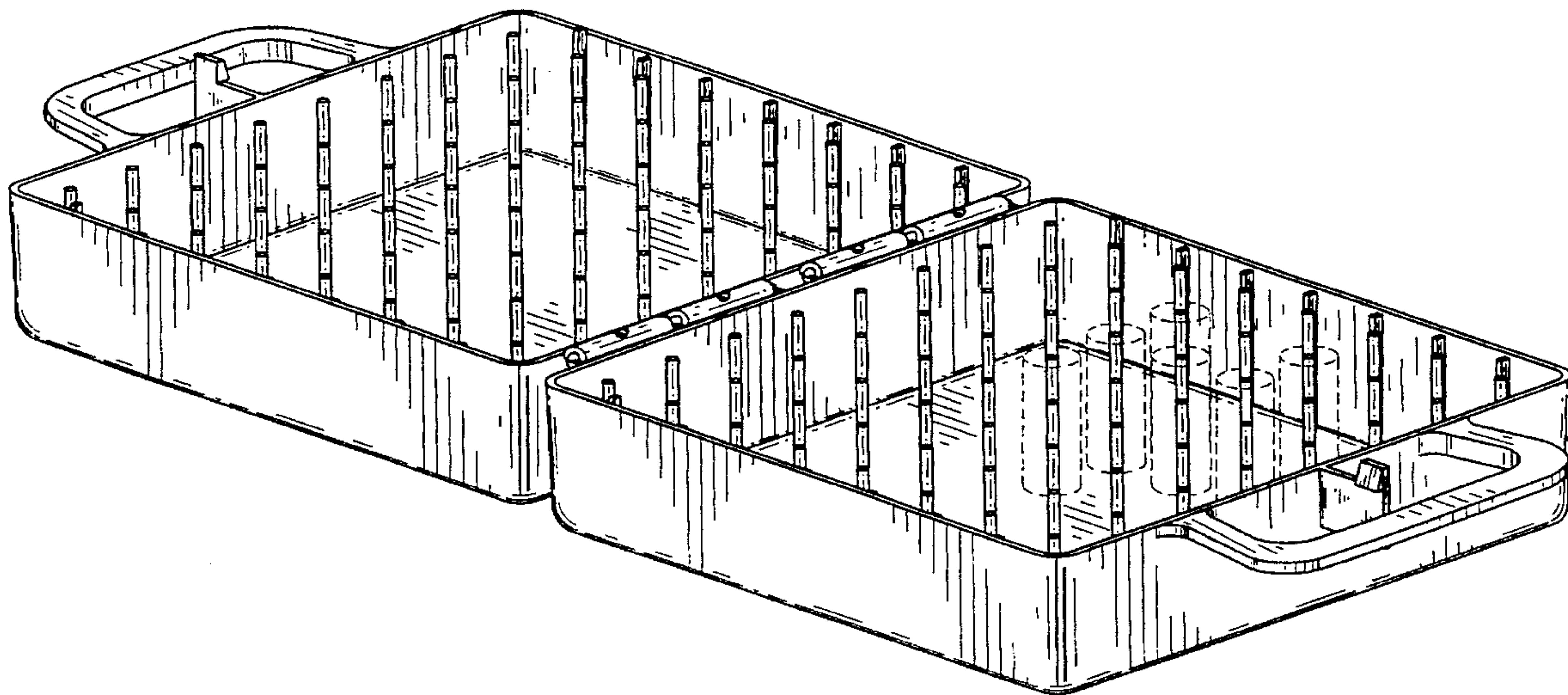
FIG. 3 is a bottom plan view of the carrying case shown in the closed position;

FIG. 4 is a top front right perspective view of the carrying case shown in the open position with the left side being the mirror image of the right side and illustrating spools of thread in phantom lines; and,

FIG. 5 is a bottom plan view of the carrying case shown in the open position.

Primary Examiner—Ralf Seifert

1 Claim, 2 Drawing Sheets



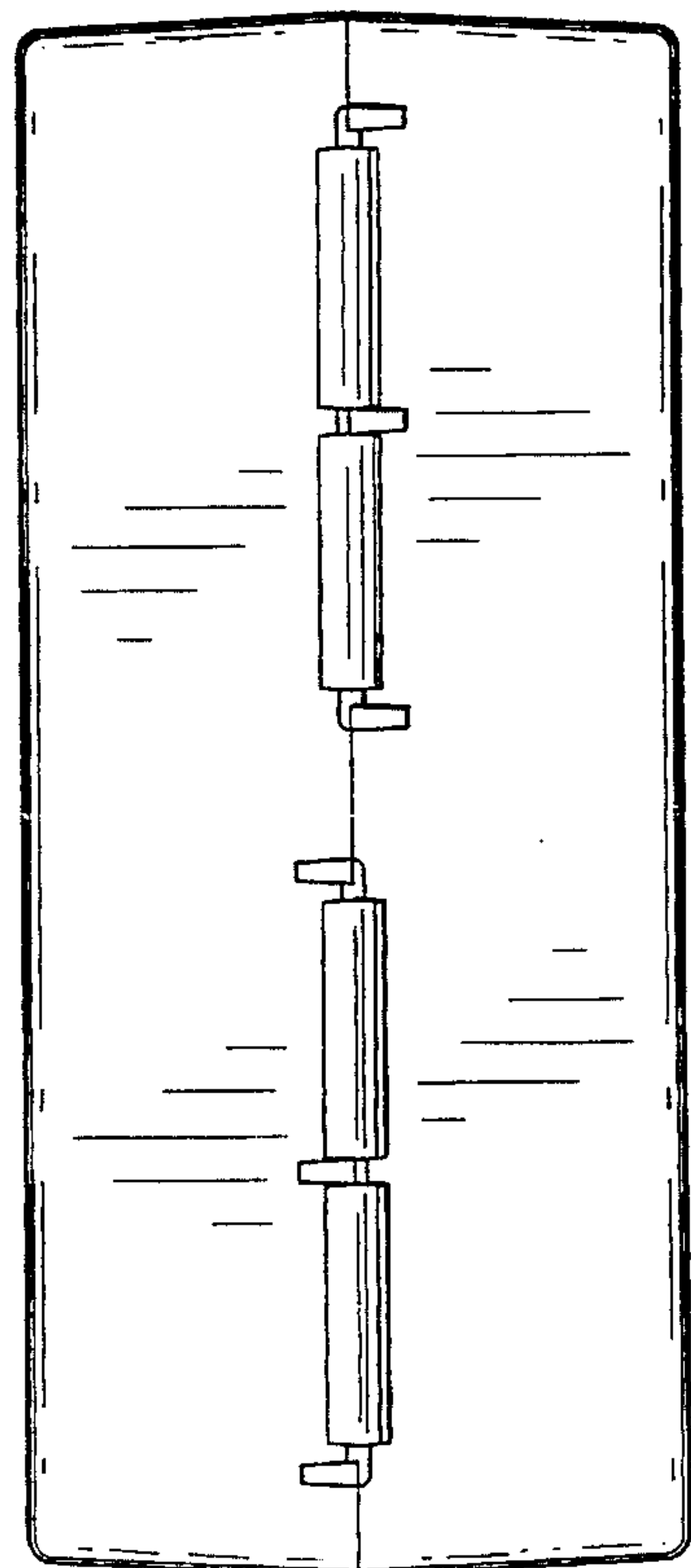
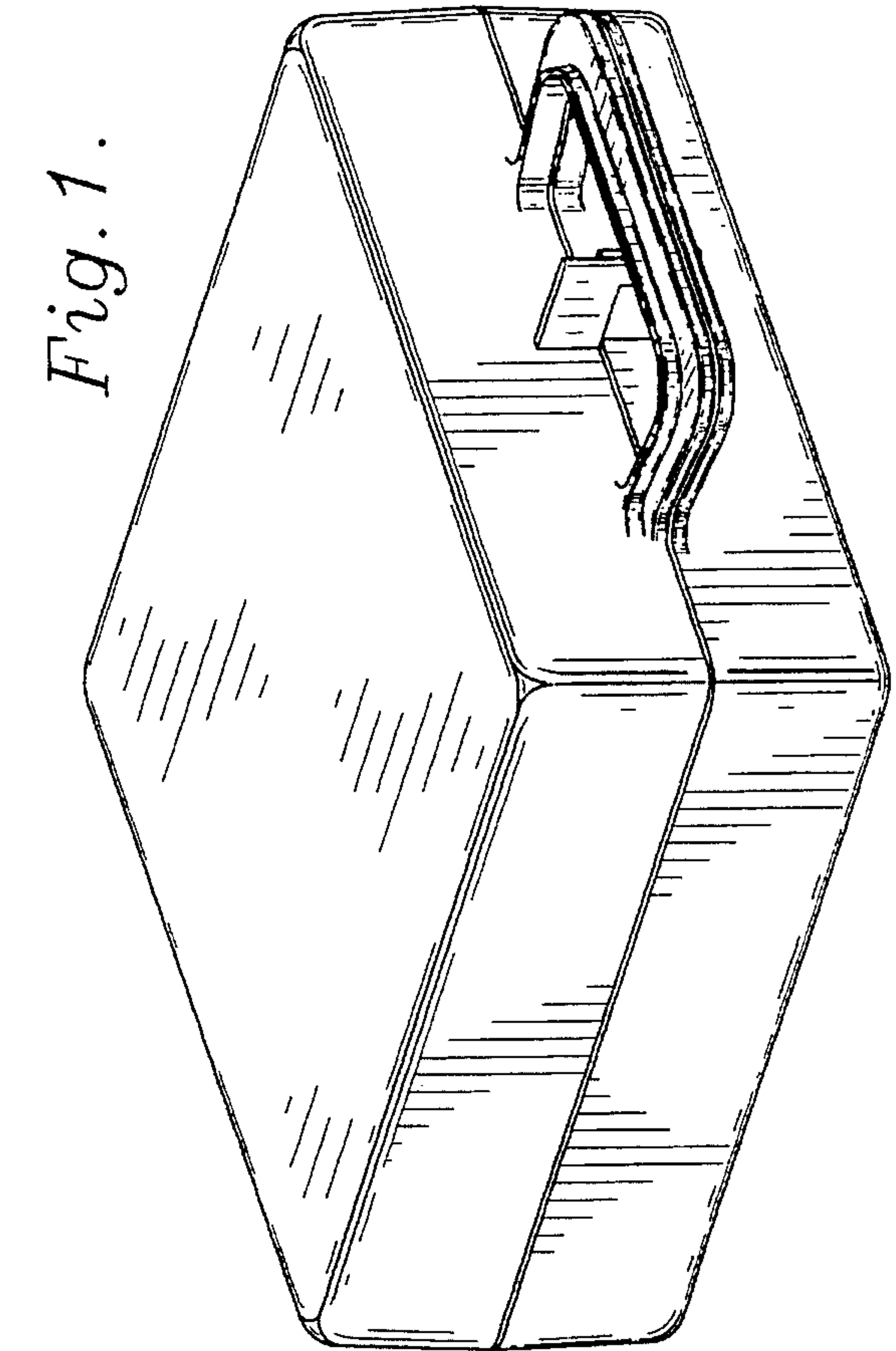
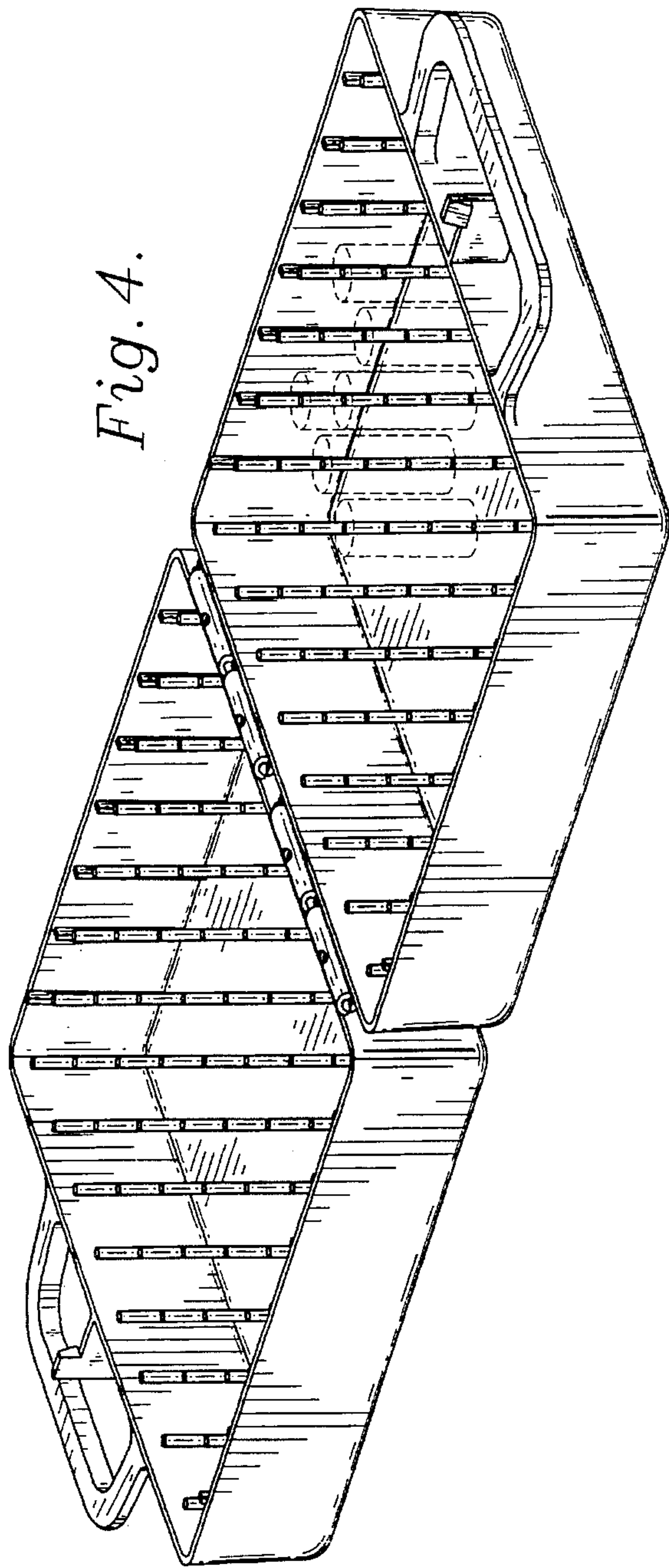


Fig. 2.

Fig. 5.

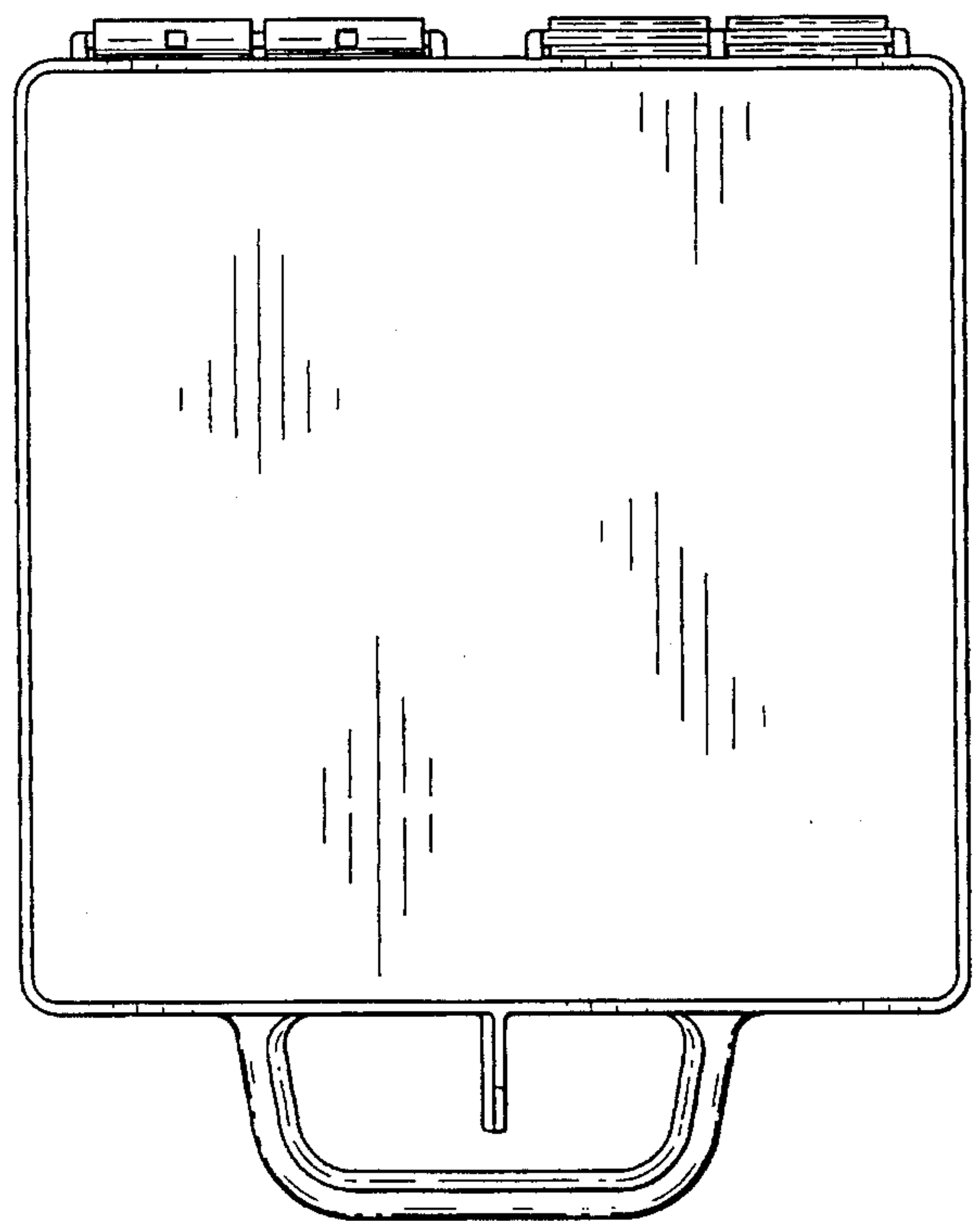
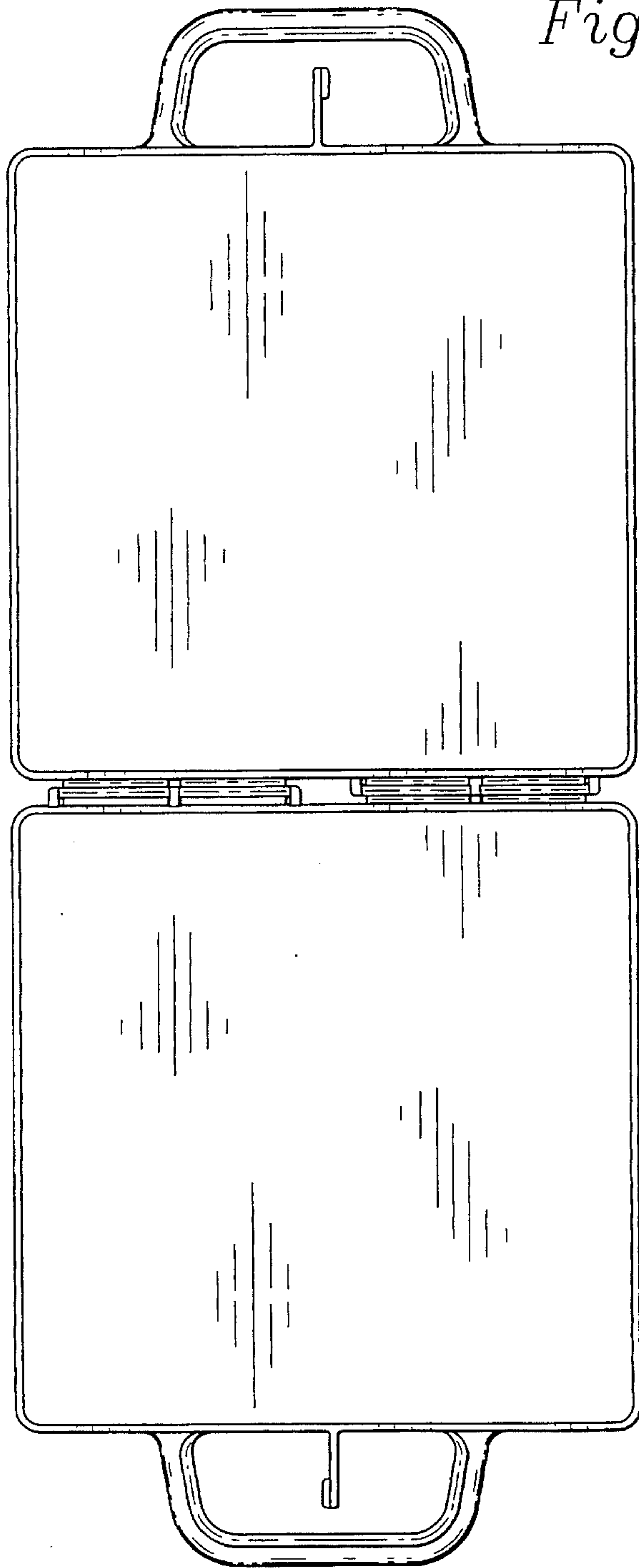


Fig. 3.