



US00D374112S

United States Patent [19]
Curti

[11] **Patent Number: Des. 374,112**

[45] **Date of Patent: **Oct. 1, 1996**

[54] **SEAT BELT LOCK COVER**

4,939,824 7/1990 Reed 297/482 X
4,961,251 10/1990 Smith 24/633

[76] Inventor: **Michael D. Curti**, 950 Larson La.,
Coleville, Calif. 96107

Primary Examiner—Paula A. Mortimer

[**] Term: **14 Years**

[57] **CLAIM**

[21] Appl. No.: **40,191**

The ornamental design for a seat belt lock cover, as shown and described.

[22] Filed: **Jun. 12, 1995**

DESCRIPTION

[52] **U.S. Cl.** **D2/639**

[58] **Field of Search** D2/600, 639; D11/200,
D11/201, 218; 297/482, 486, 487, 488;
24/633, 634; 280/801, 806, 808

FIG. 1 is a front elevational view of the seat belt lock cover showing my new design;

FIG. 2 is a rear elevational view thereof;

FIG. 3 is a left side elevational view thereof;

FIG. 4 is a right side elevational view thereof;

FIG. 5 is a top plan view thereof;

FIG. 6 is a bottom plan view thereof;

FIG. 7 is a top isometric view thereof; and,

FIG. 8 is a bottom isometric view thereof.

[56] **References Cited**

U.S. PATENT DOCUMENTS

- D. 304,779 11/1989 Raphael et al. 297/482 X
- D. 358,246 5/1995 Bacchiocchi et al. D2/639
- 4,878,277 11/1989 Portuese 297/482 X
- 4,886,318 12/1989 Pennock 297/482

1 Claim, 4 Drawing Sheets

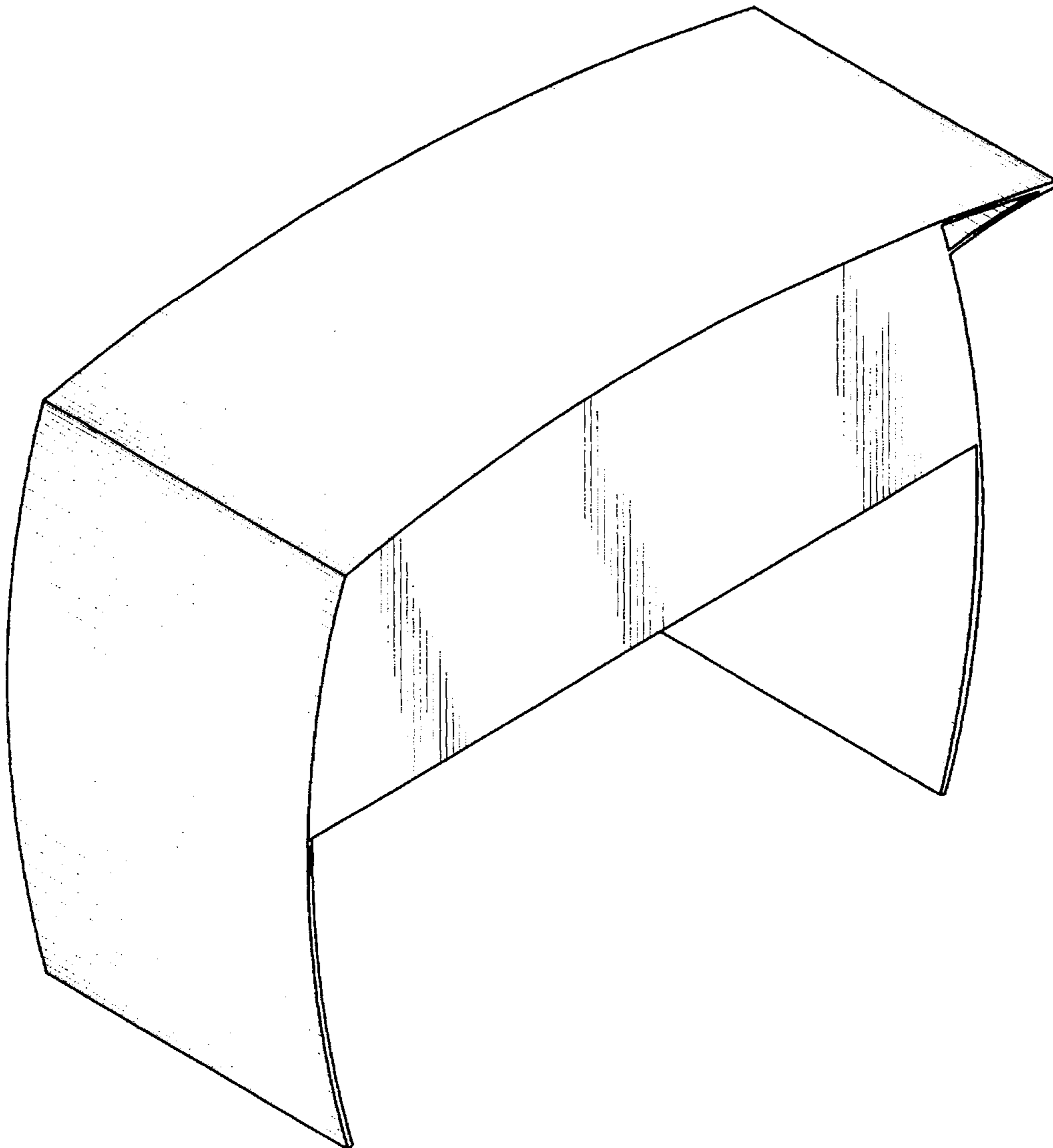


FIG. 1

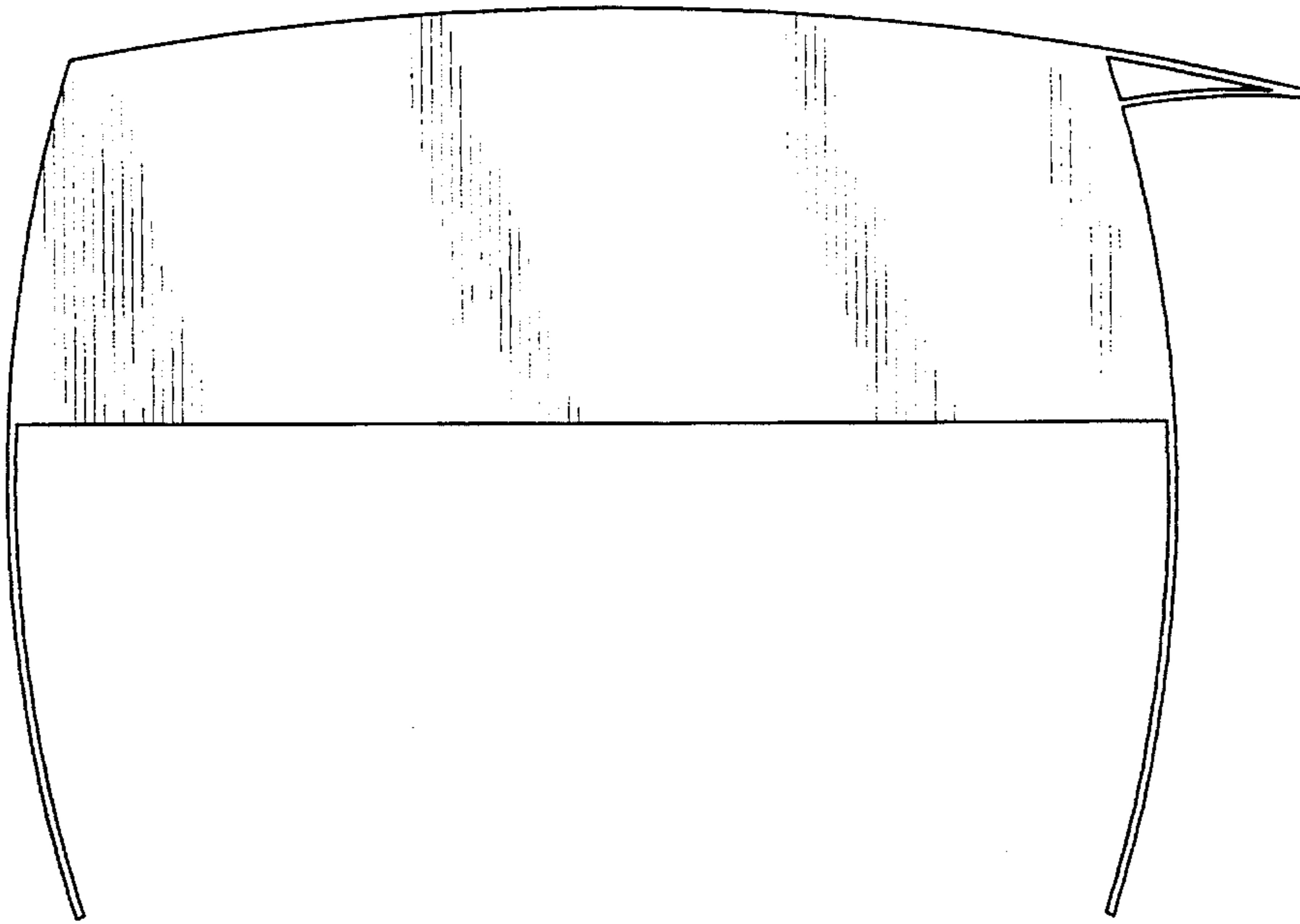


FIG. 2

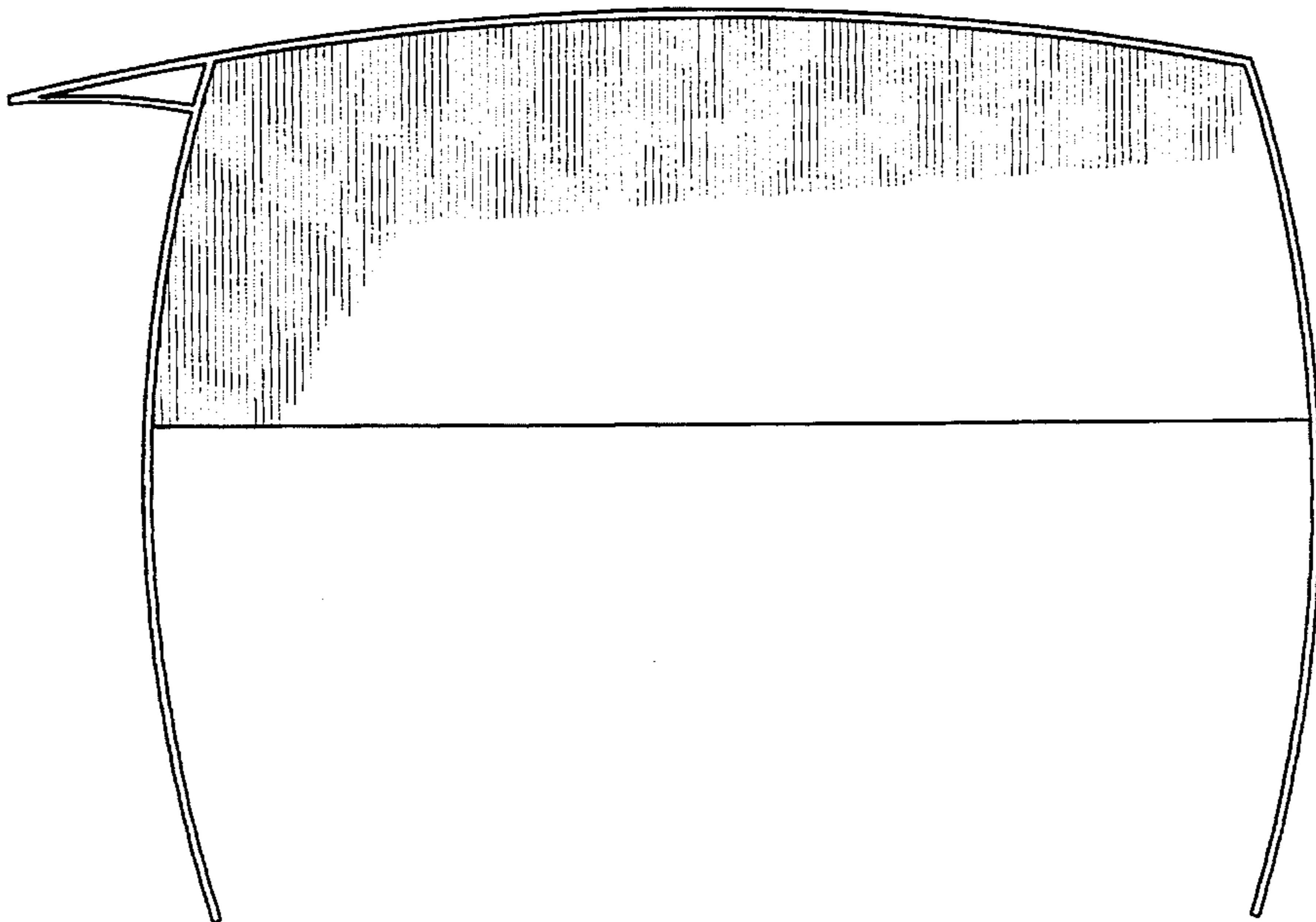


FIG. 3

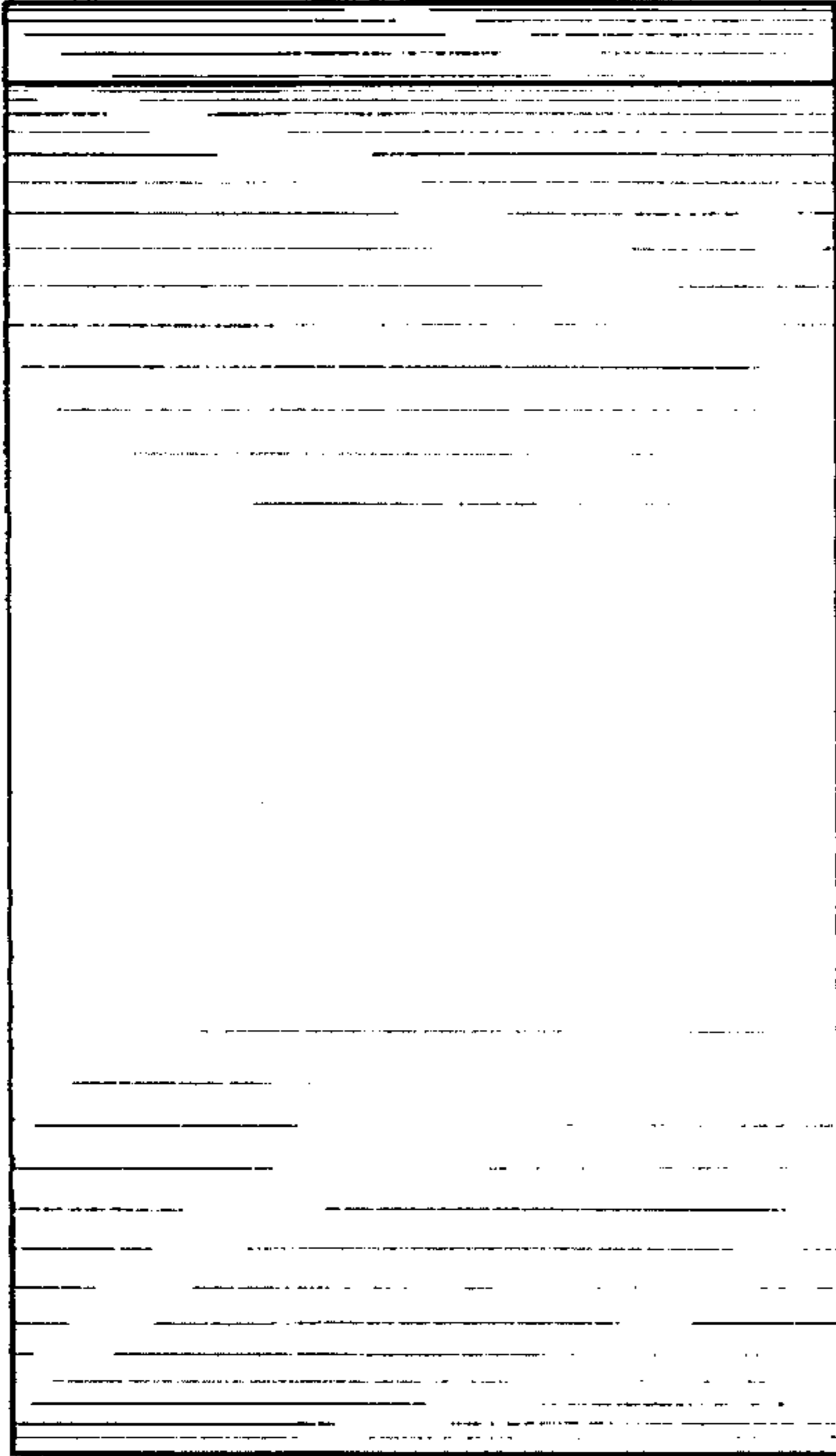


FIG. 4

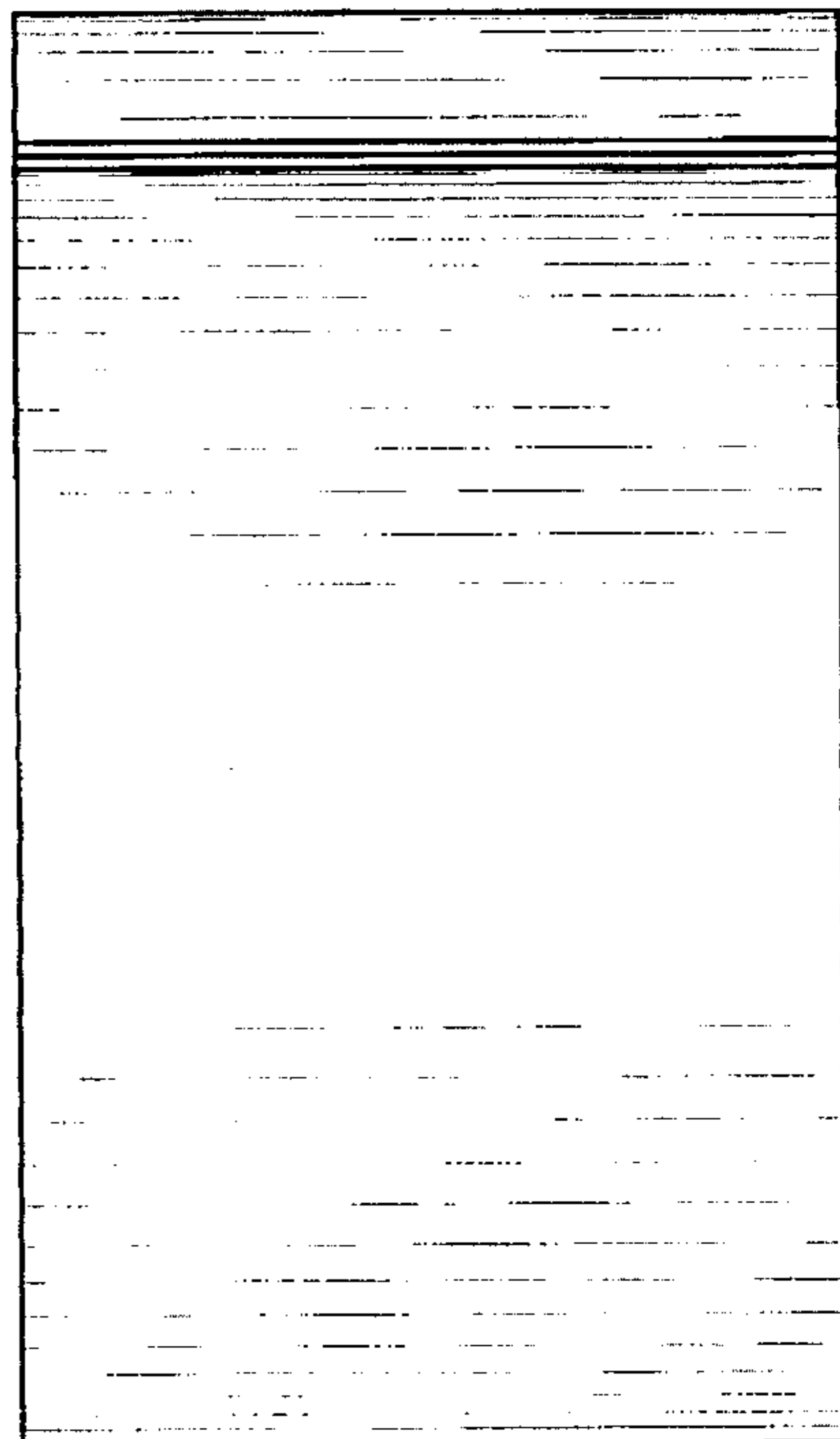


FIG. 5

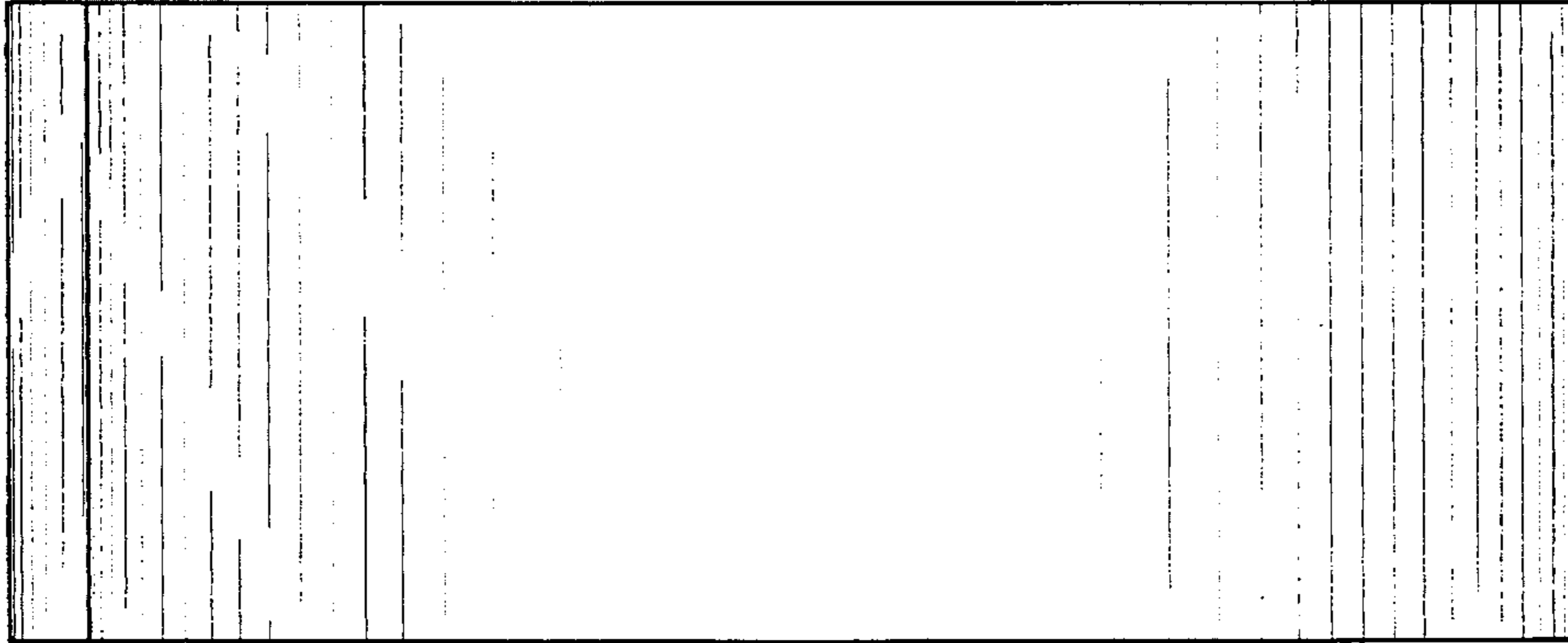


FIG. 6

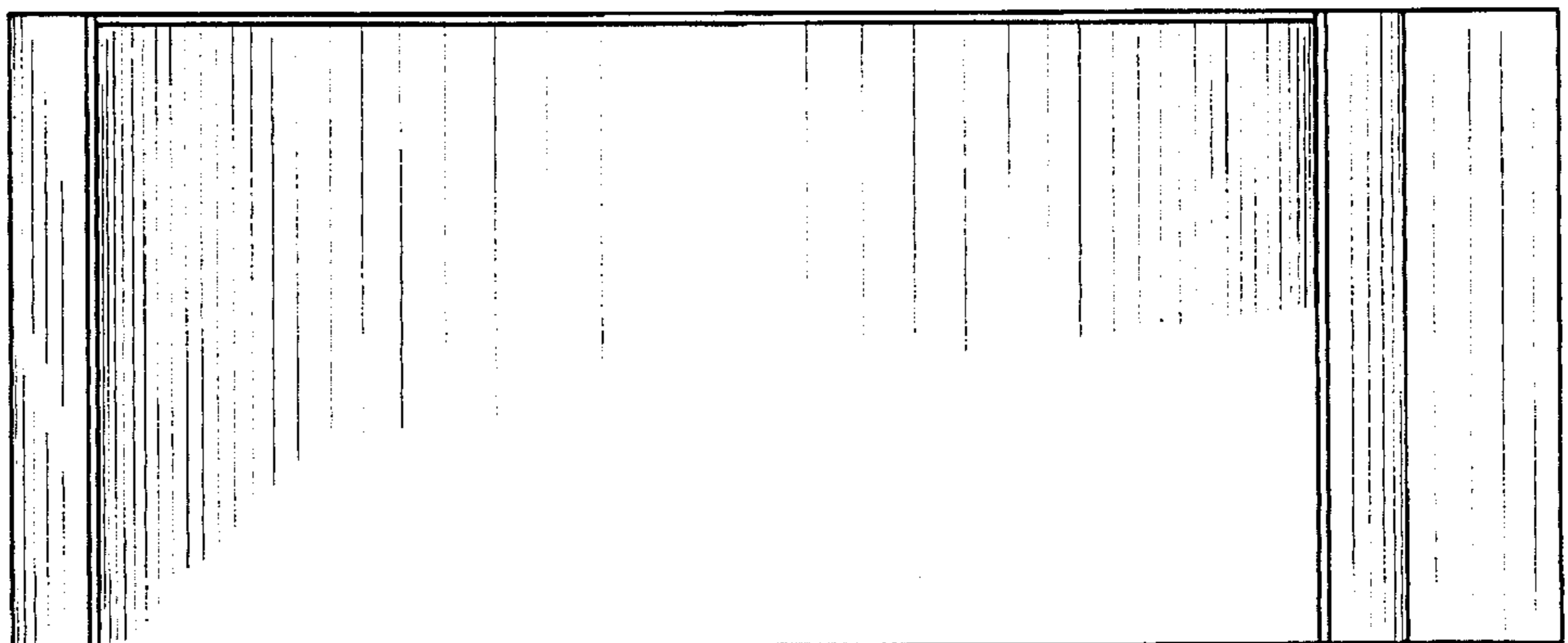


FIG. 7

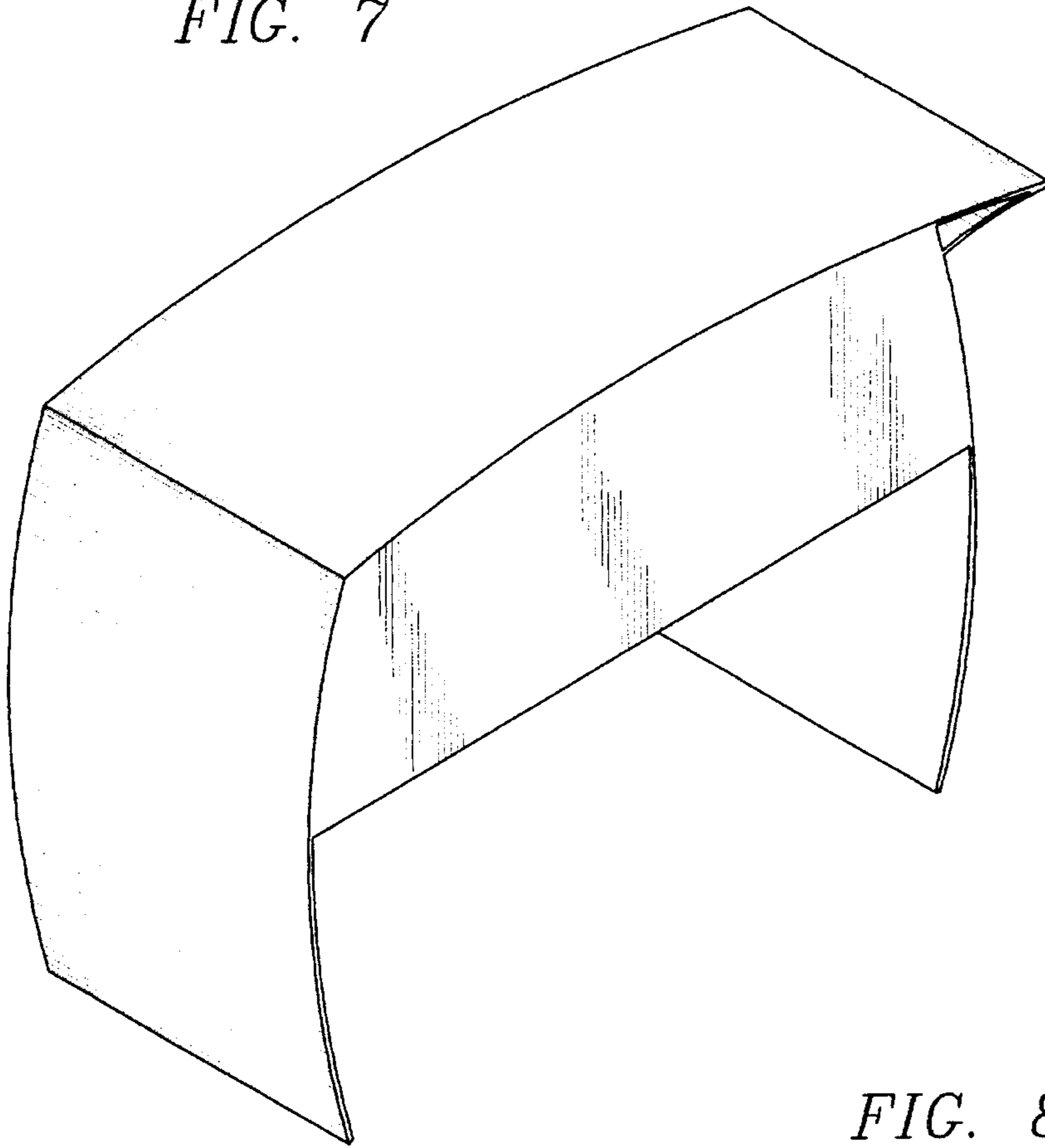


FIG. 8

