



US00D374109S

United States Patent [19]

Lillelund et al.

[11] Patent Number: **Des. 374,109**

[45] Date of Patent: ****Sep. 24, 1996**

[54] **PET FEEDING STATION**

[75] Inventors: **Stig Lillelund**, Gentofte; **Mikael Koch**, København, both of Denmark

[73] Assignee: **Dart Industries Inc.**, Deerfield, Ill.

[**] Term: **14 Years**

4,840,143 6/1989 Simon 119/52.1
 5,011,018 4/1991 Keffeler 206/532
 5,016,572 5/1991 Weber et al. 119/52.1
 5,111,951 5/1992 Breen et al. 220/23.4
 5,207,182 5/1993 Lorenzana 119/77
 5,263,437 11/1993 Murphrey 119/53.5
 5,353,739 10/1994 Chu 119/54

[21] Appl. No.: **36,005**

[22] Filed: **Mar. 16, 1995**

[52] U.S. Cl. **D30/121; D30/122**

[58] Field of Search 119/53, 77, 61, 119/51.5, 52.1, 54; D30/121-122, 129-133

FOREIGN PATENT DOCUMENTS

464747 5/1950 Canada 119/61
 264656 4/1988 European Pat. Off. 119/51.12
 2227819 11/1974 France 119/77
 21486 of 1896 United Kingdom 119/52.1
 2229076 9/1990 United Kingdom 119/52.1
 2241633 9/1991 United Kingdom 119/77
 2251778 7/1992 United Kingdom 119/52.1

[56] References Cited

U.S. PATENT DOCUMENTS

D. 289,808 5/1987 Gardner D30/122
 D. 330,098 10/1992 VanSkiver D30/132
 D. 334,251 3/1993 Tiu D30/122
 D. 338,746 8/1993 Clark et al. D30/122
 D. 351,689 10/1994 VanSkiver D30/121
 1,191,184 7/1916 Hooper 119/61
 2,029,342 4/1936 Schultz 220/576
 2,795,121 6/1957 Pantello 220/23.83
 3,085,718 4/1963 Nelson 222/168
 3,442,435 5/1969 Ludder et al. 220/528
 3,720,184 3/1973 Pearce 119/51.5
 3,730,141 5/1973 Manning et al. 119/51.5
 3,763,826 10/1973 Portelli 119/52.1
 4,034,715 7/1977 Arner 119/51.5
 4,128,080 12/1978 Haney 119/51.5
 4,281,624 8/1981 Raines 119/52.1
 4,303,039 12/1981 Thibault 119/53
 4,315,483 2/1982 Scheidler 119/51.11
 4,348,988 9/1982 Lawson 119/53
 4,355,598 10/1982 Saylor 119/52.1
 4,573,434 3/1986 Gardner 119/77
 4,721,063 1/1988 Atchley 119/52.1

OTHER PUBLICATIONS

J-B Catalog, 1993—p. 14; Self feeders & Waterers #'s DOSF-010 & DOSW-100.

Primary Examiner—Cathy Anne MacCormac
Attorney, Agent, or Firm—John A. Doninger

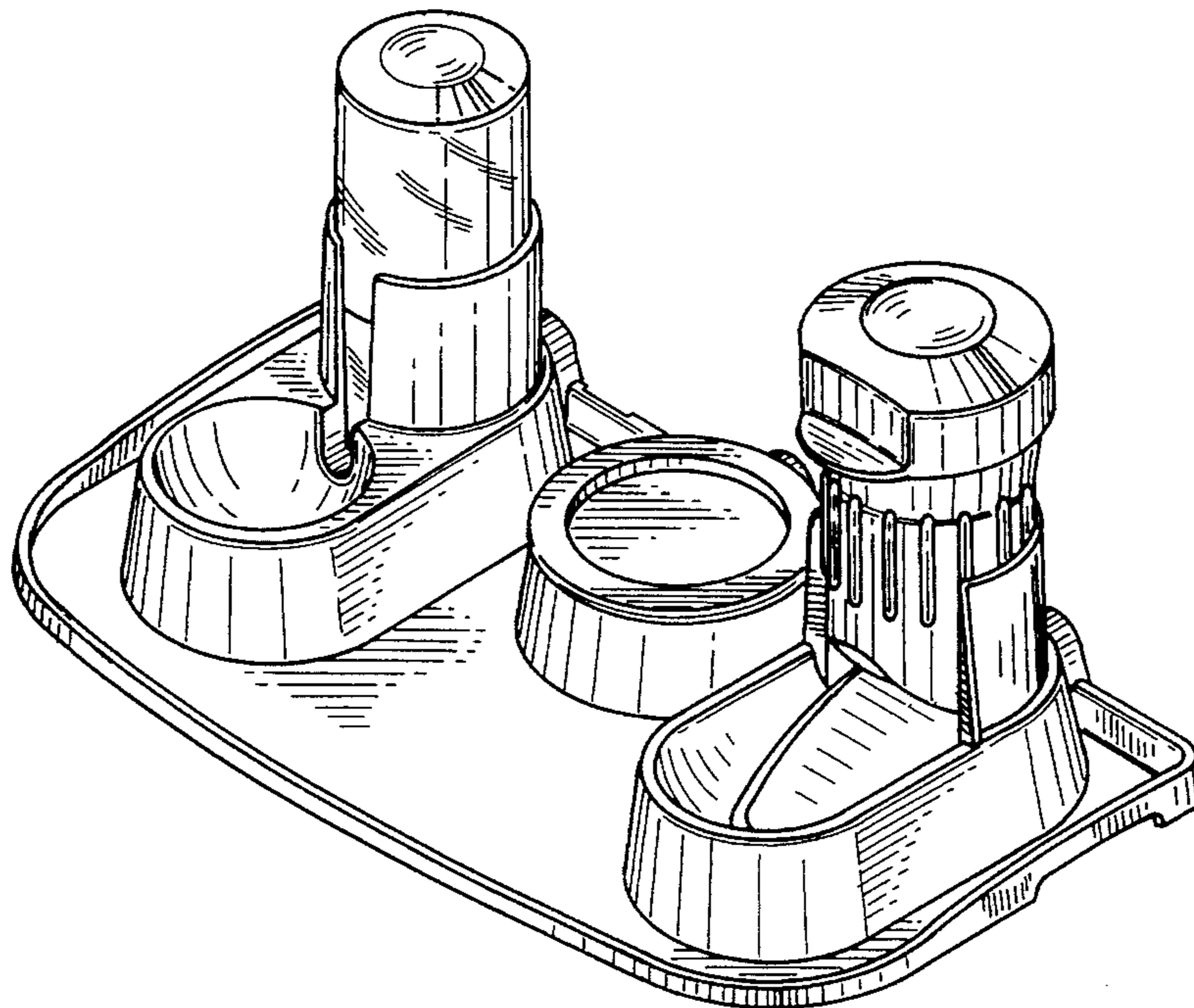
[57] CLAIM

The ornamental design for a pet feeding station, as shown.

DESCRIPTION

FIG. 1 is a top, front and side perspective view of a pet feeding station showing our new design;
 FIG. 2 is a top plan view thereof;
 FIG. 3 is a bottom plan view thereof;
 FIG. 4 is a front elevation view thereof;
 FIG. 5 is a rear elevation view thereof;
 FIG. 6 is a left side view thereof;
 FIG. 7 is a right side view thereof; and,
 FIG. 8 is an exploded perspective view thereof.

1 Claim, 5 Drawing Sheets



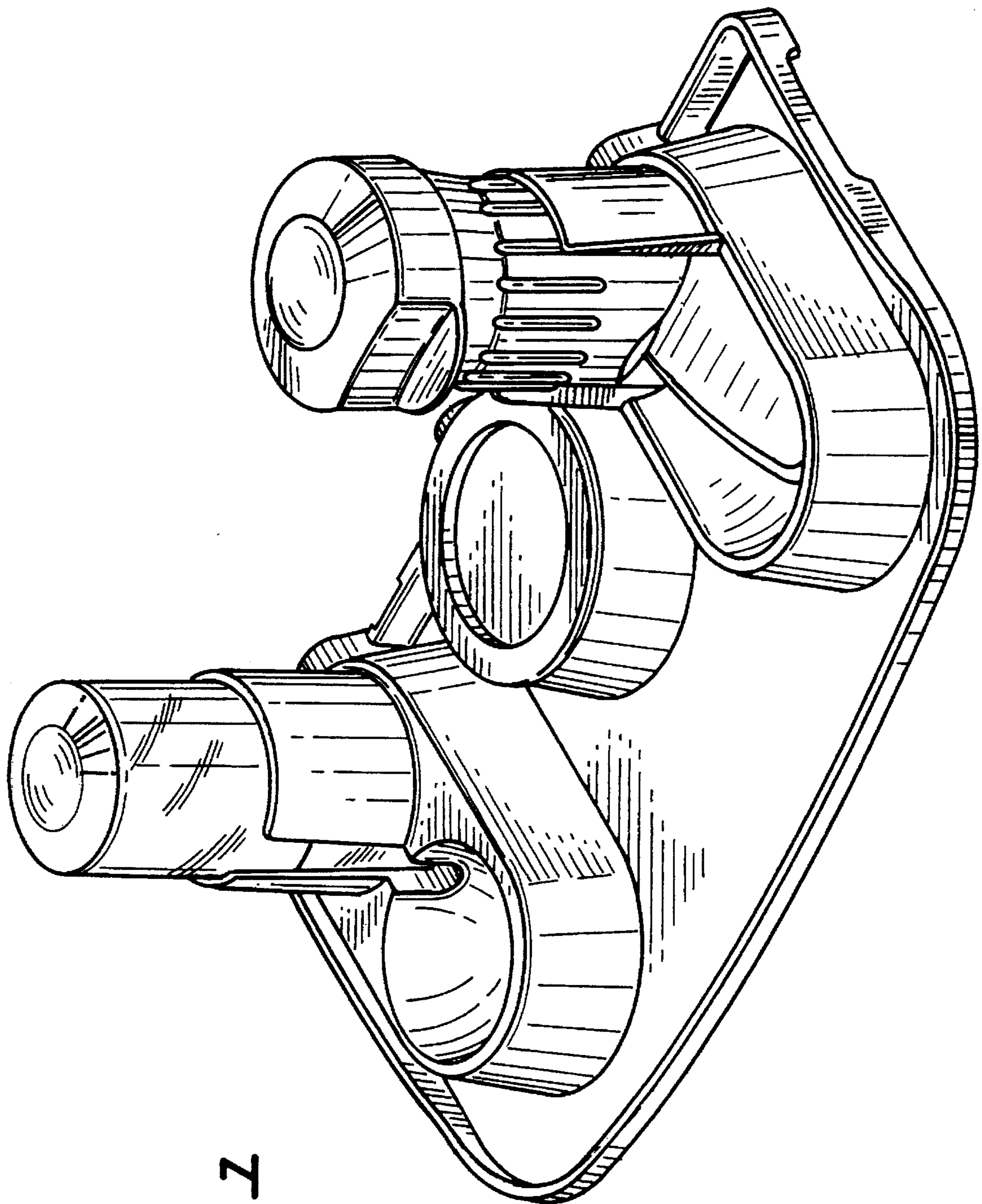


FIG. 1

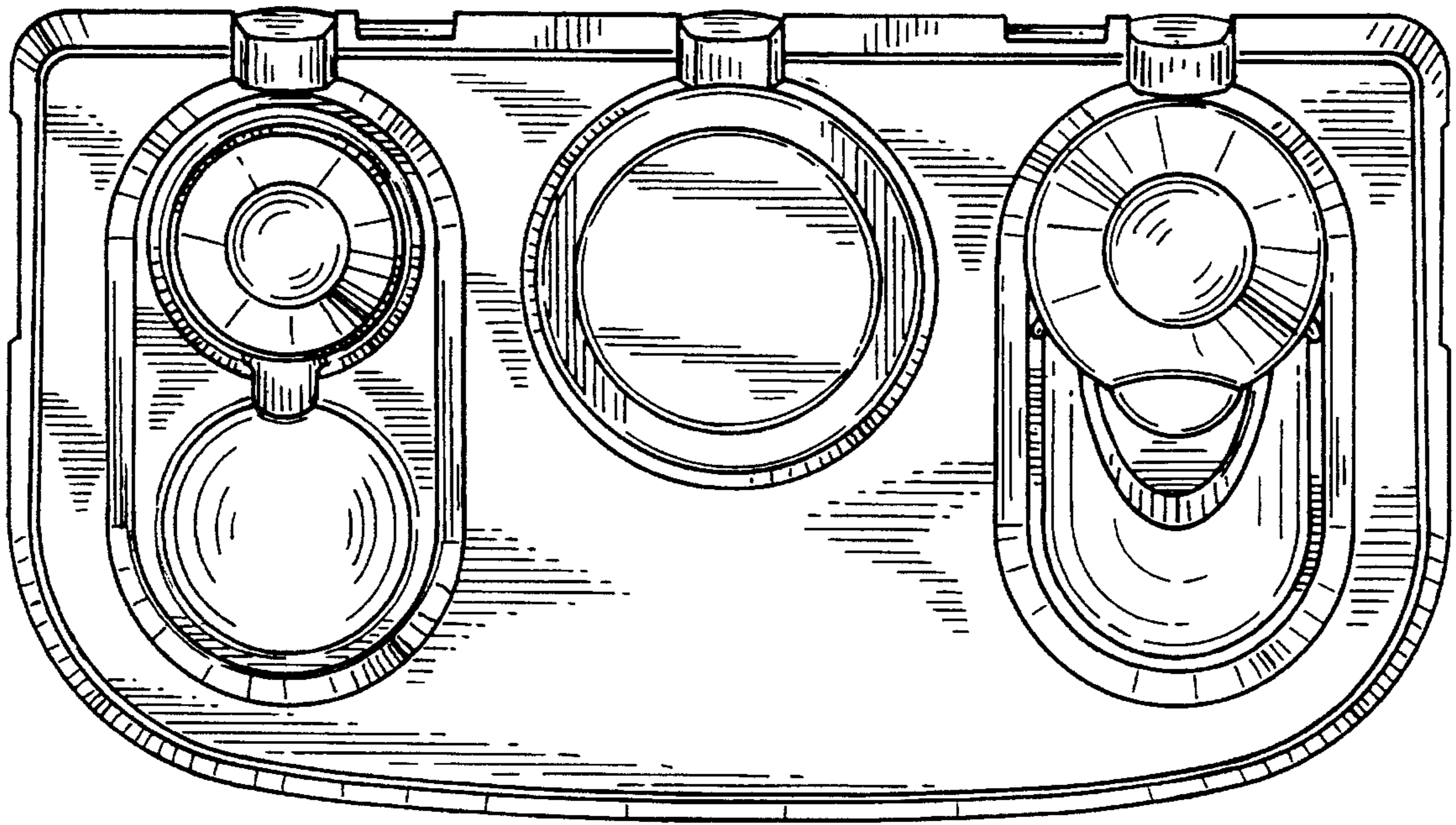


FIG. 2

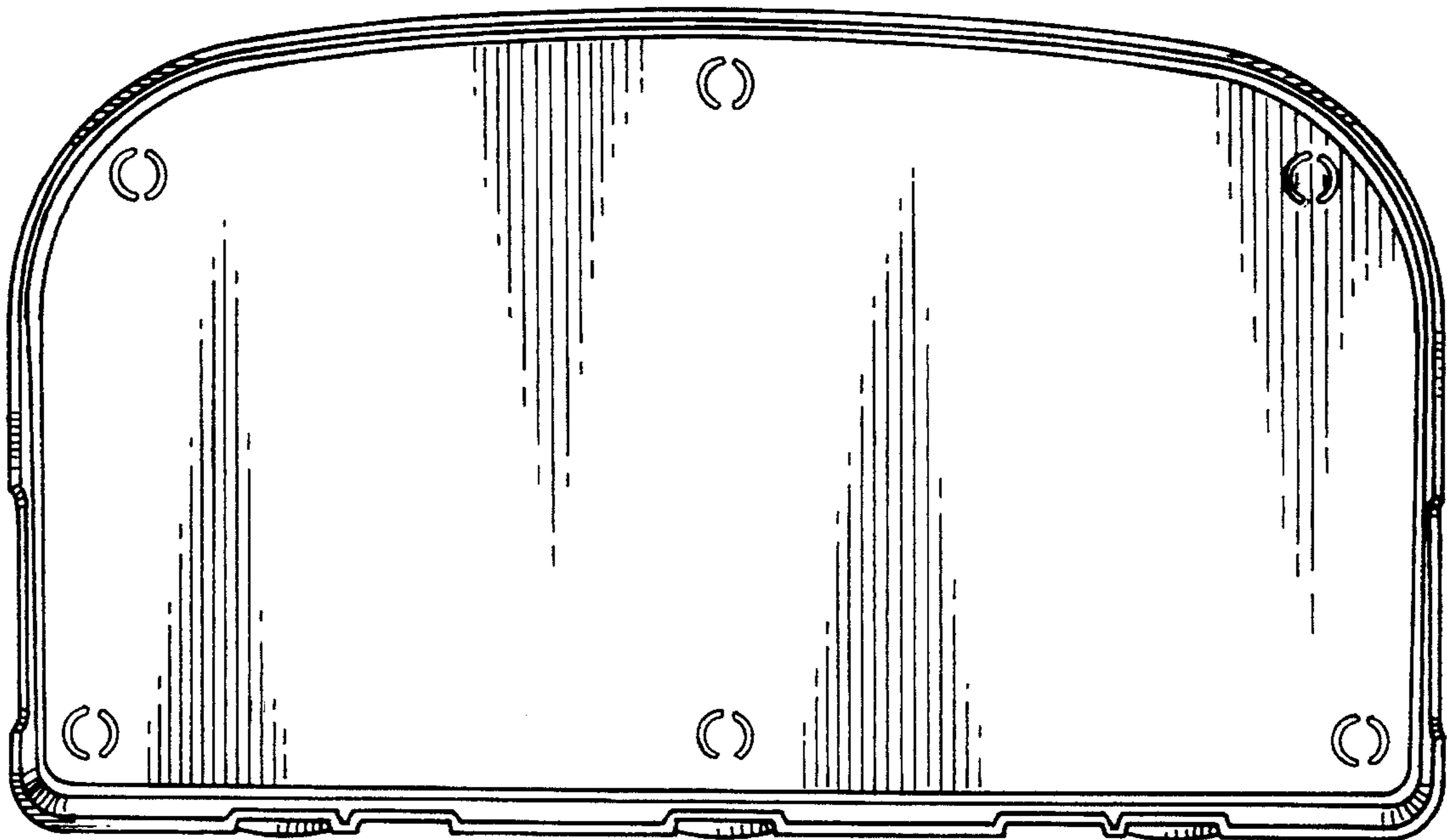


FIG. 3

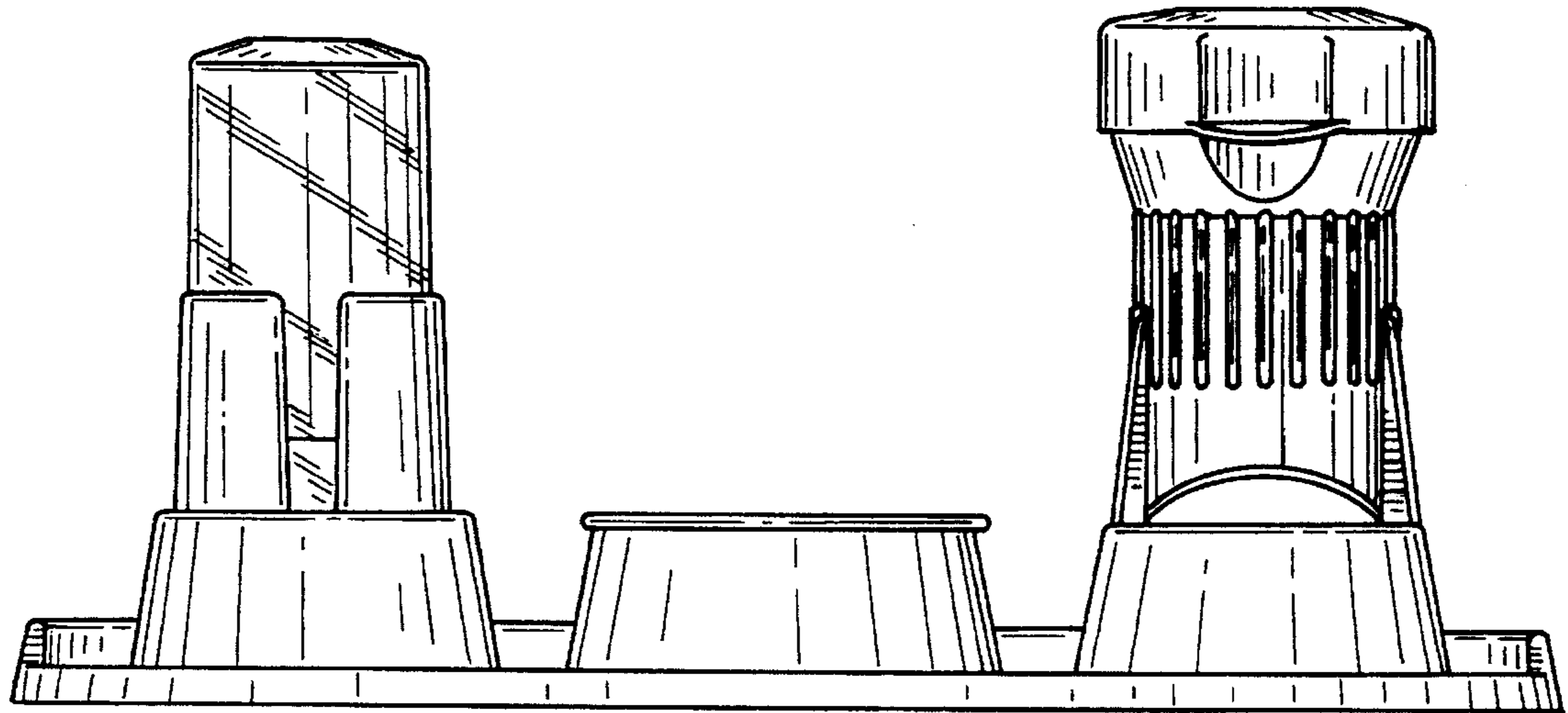


FIG. 4

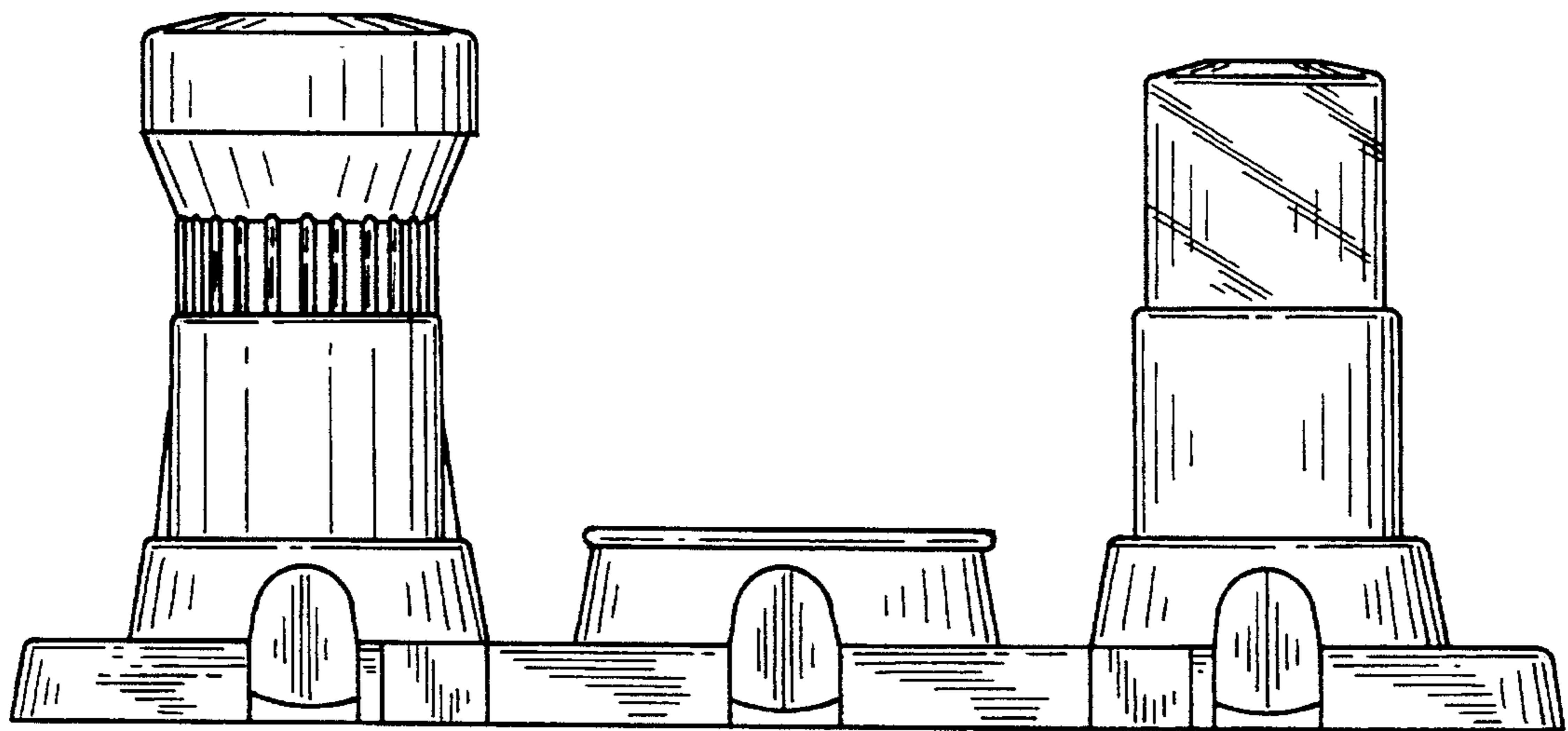


FIG. 5

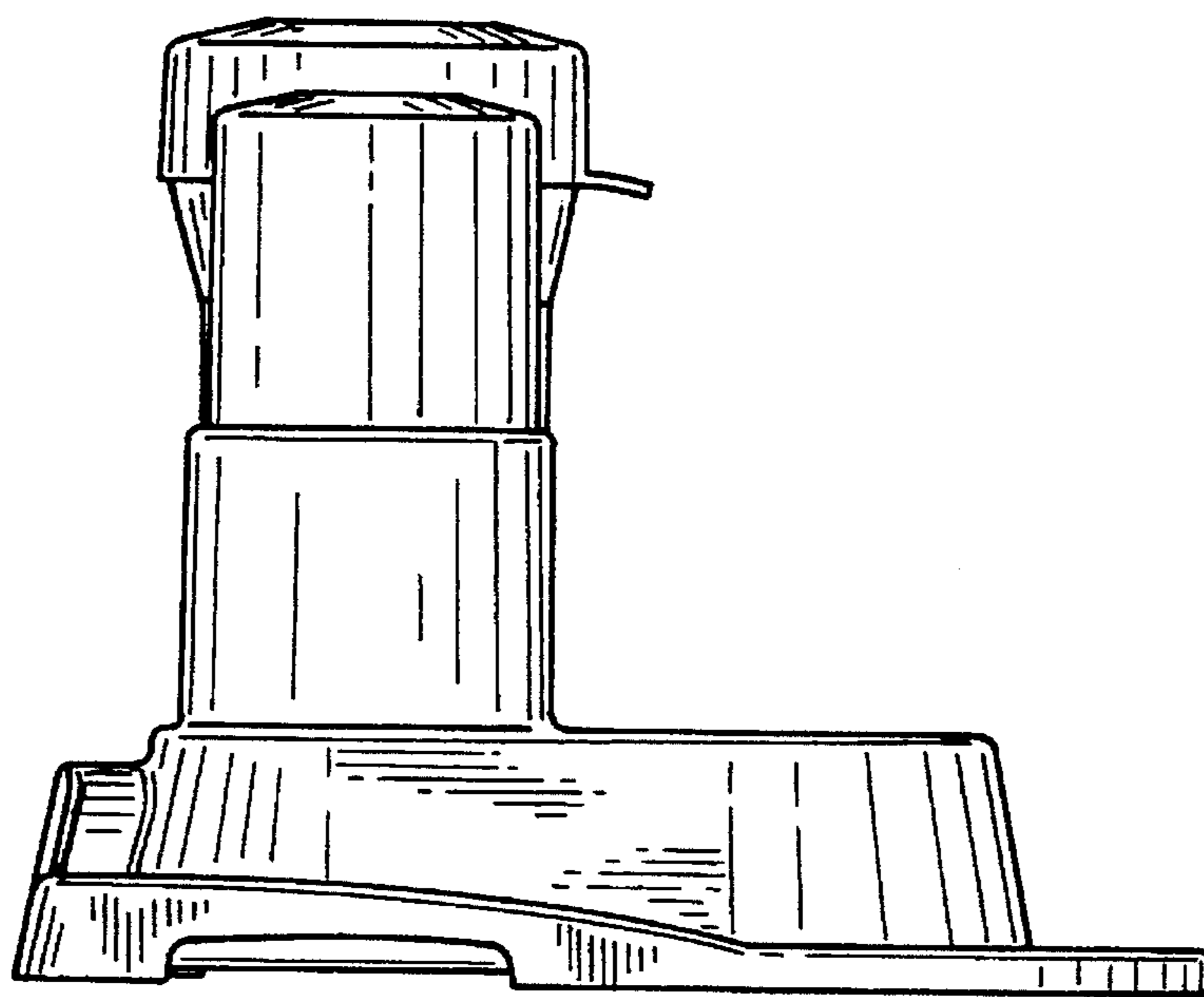


FIG. 6

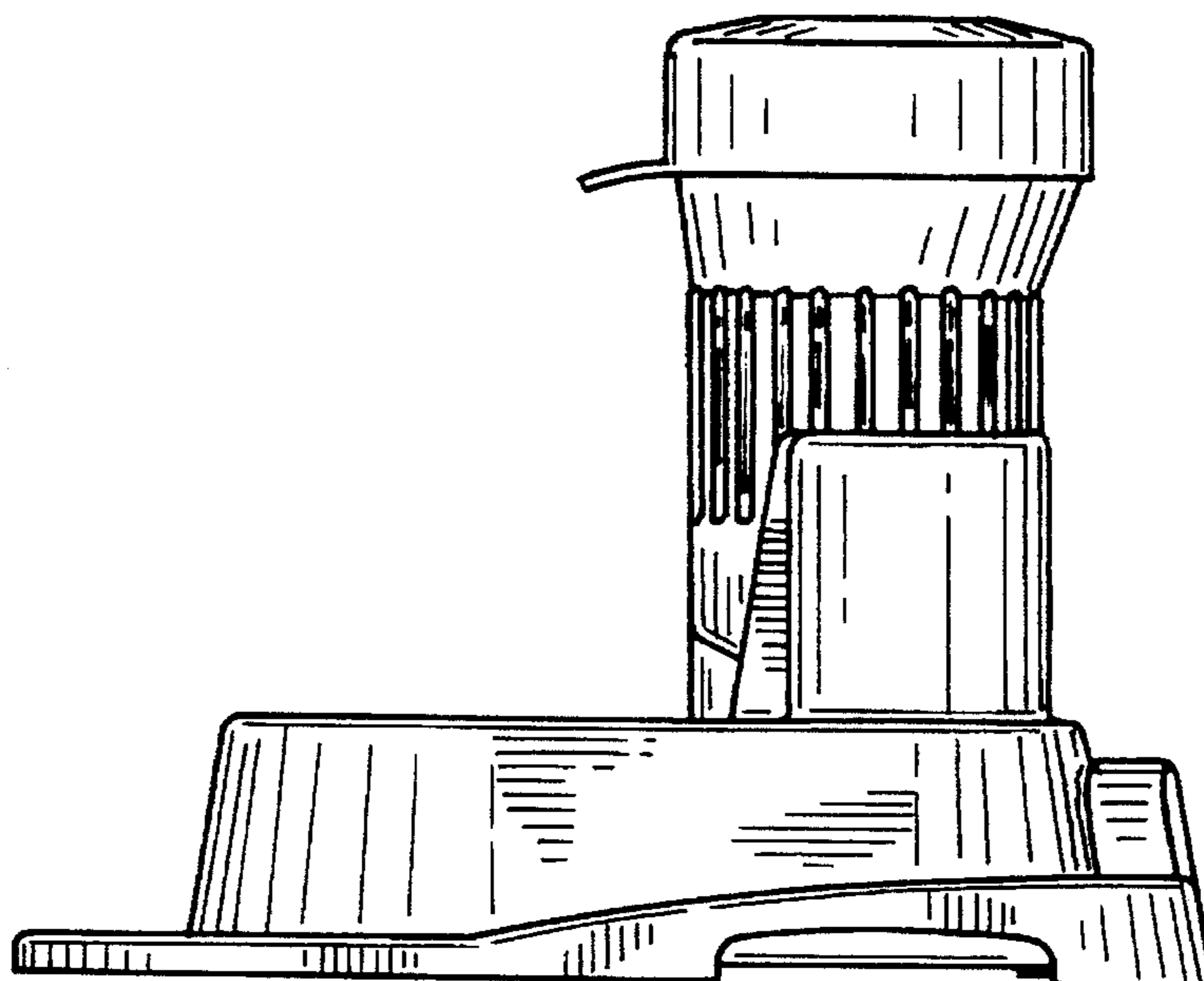


FIG. 7

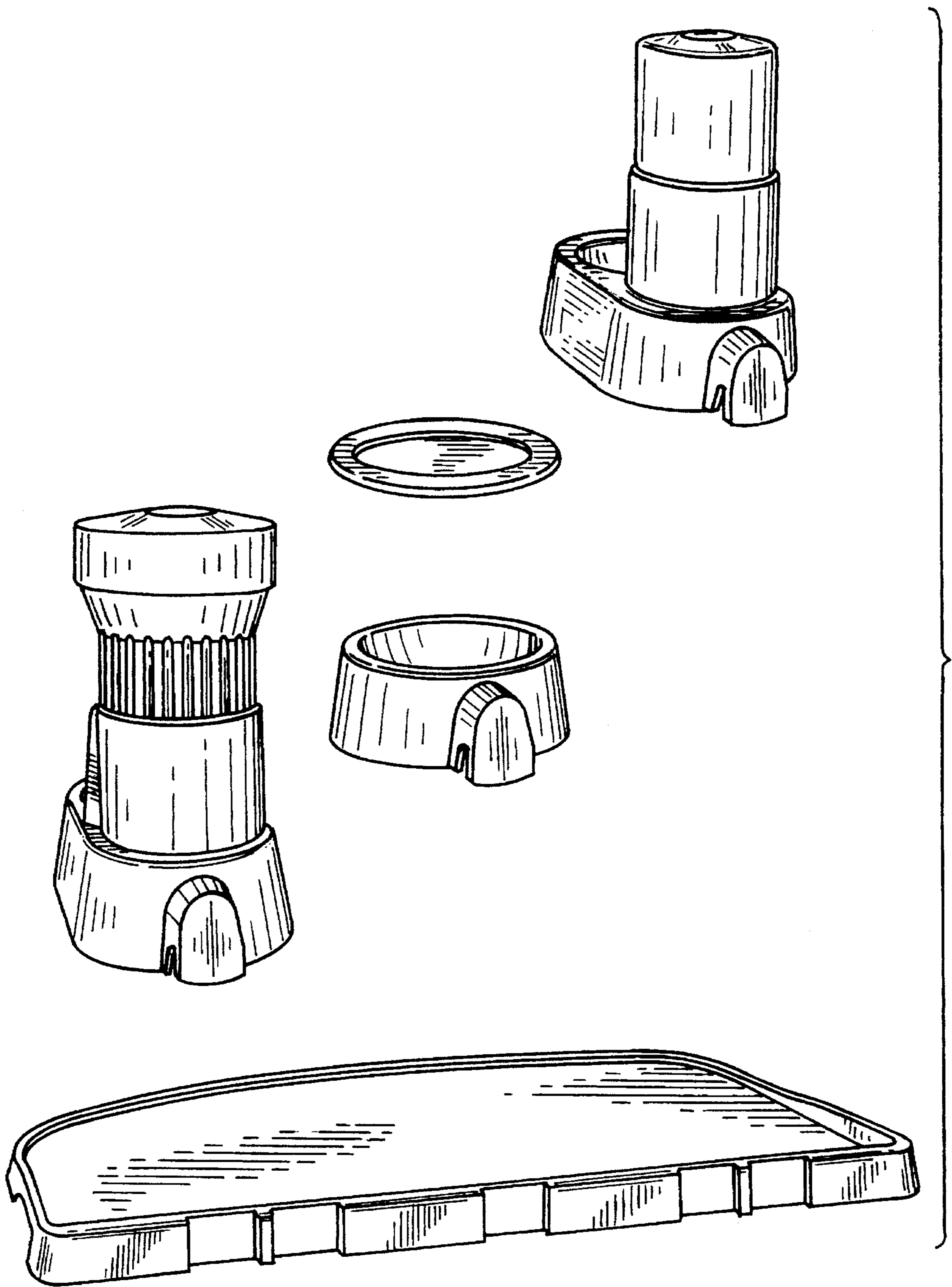


FIG. 8