



US00D374107S

United States Patent [19]

Keng et al.

[11] Patent Number: **Des. 374,107**

[45] Date of Patent: ****Sep. 24, 1996**

[54] **GLASS SHADE CUP WITH THREE HORIZONTAL LINES**

[75] Inventors: **Hsing-Min Keng**, Palos Verdes Estates;
Richard W. McDowell, Palos Verdes,
both of Calif.

[73] Assignee: **Jimway, Inc.**, Bell, Calif.

[**] Term: **14 Years**

[21] Appl. No.: **30,244**

[22] Filed: **Oct. 24, 1994**

[52] U.S. Cl. **D26/142**

[58] Field of Search D26/128-136,
D26/142, 146-153, 138, 72, 80-92; 362/147,
404-408

[56] **References Cited**

U.S. PATENT DOCUMENTS

D. 356,384 3/1995 Pickett D26/92

OTHER PUBLICATIONS

Progress Lighting Catalog, © 1990, p. 16, Ribbed Cup
(Fixture # TC2902-47).

Progress Lighting Catalog, © 1990, p. 46, Shave Cup
(Fixture # p. 3819-10).

Primary Examiner—Susan J. Lucas

Attorney, Agent, or Firm—Poms, Smith, Lande & Rose, P.C.

[57] **CLAIM**

The ornamental design for a glass shade cup with three horizontal lines, as shown and described.

DESCRIPTION

FIG. 1 is a side elevational view of a glass shade cup with three horizontal lines showing our new design;

FIG. 2 is a top plan view;

FIG. 3 is perspective view of the glass shade cup;

FIG. 4 is a side elevational view shown partly in section;

FIG. 5 is a bottom plan view;

FIG. 6 is a side view of an alternative embodiment of the present invention having thumb screws;

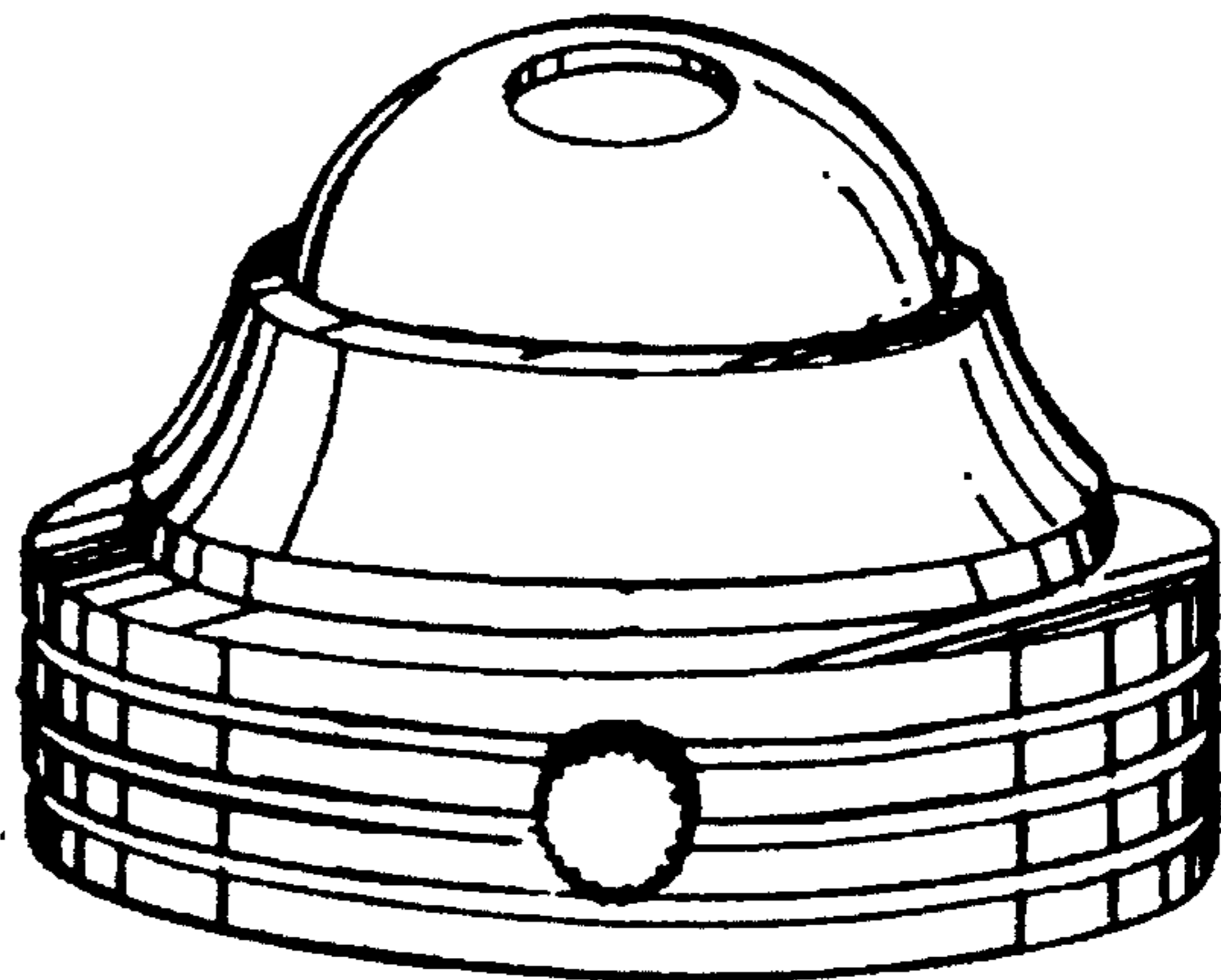
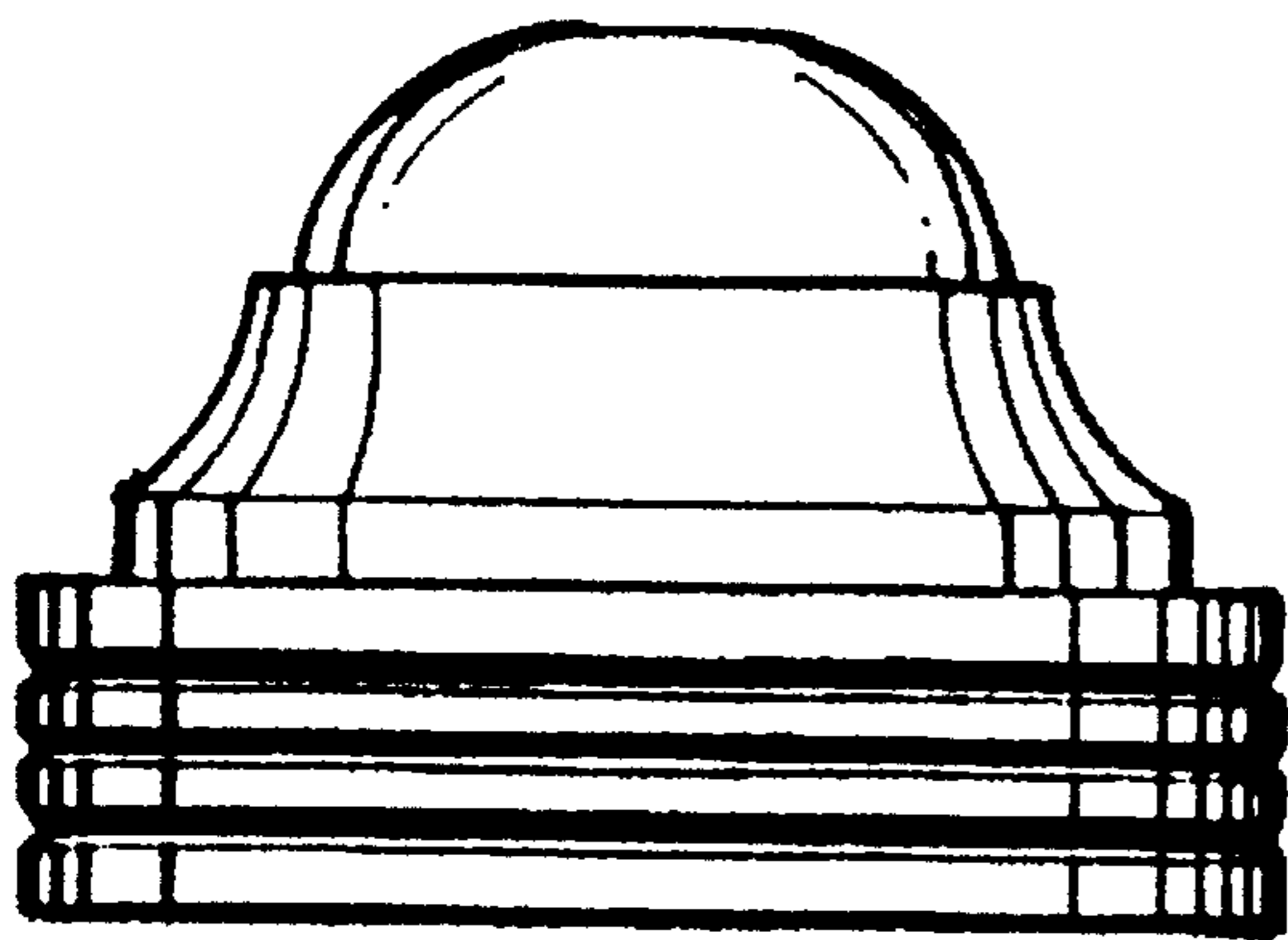
FIG. 7 is a top plan view;

FIG. 8 is a perspective view of the alternative embodiment;

FIG. 9 is a side elevational view shown partly in section; and,

FIG. 10 is a bottom plan view.

1 Claim, 2 Drawing Sheets



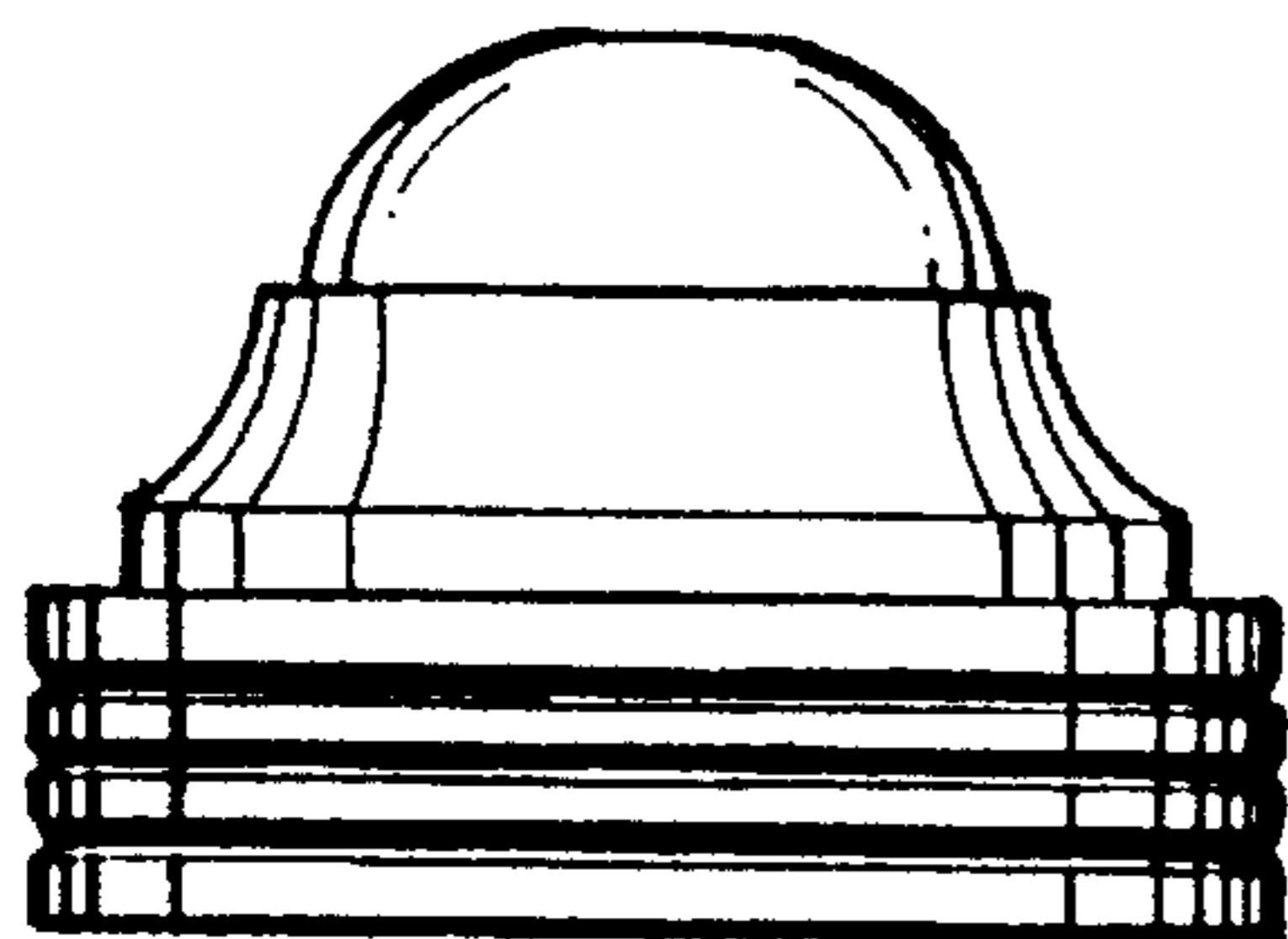


Figure 1

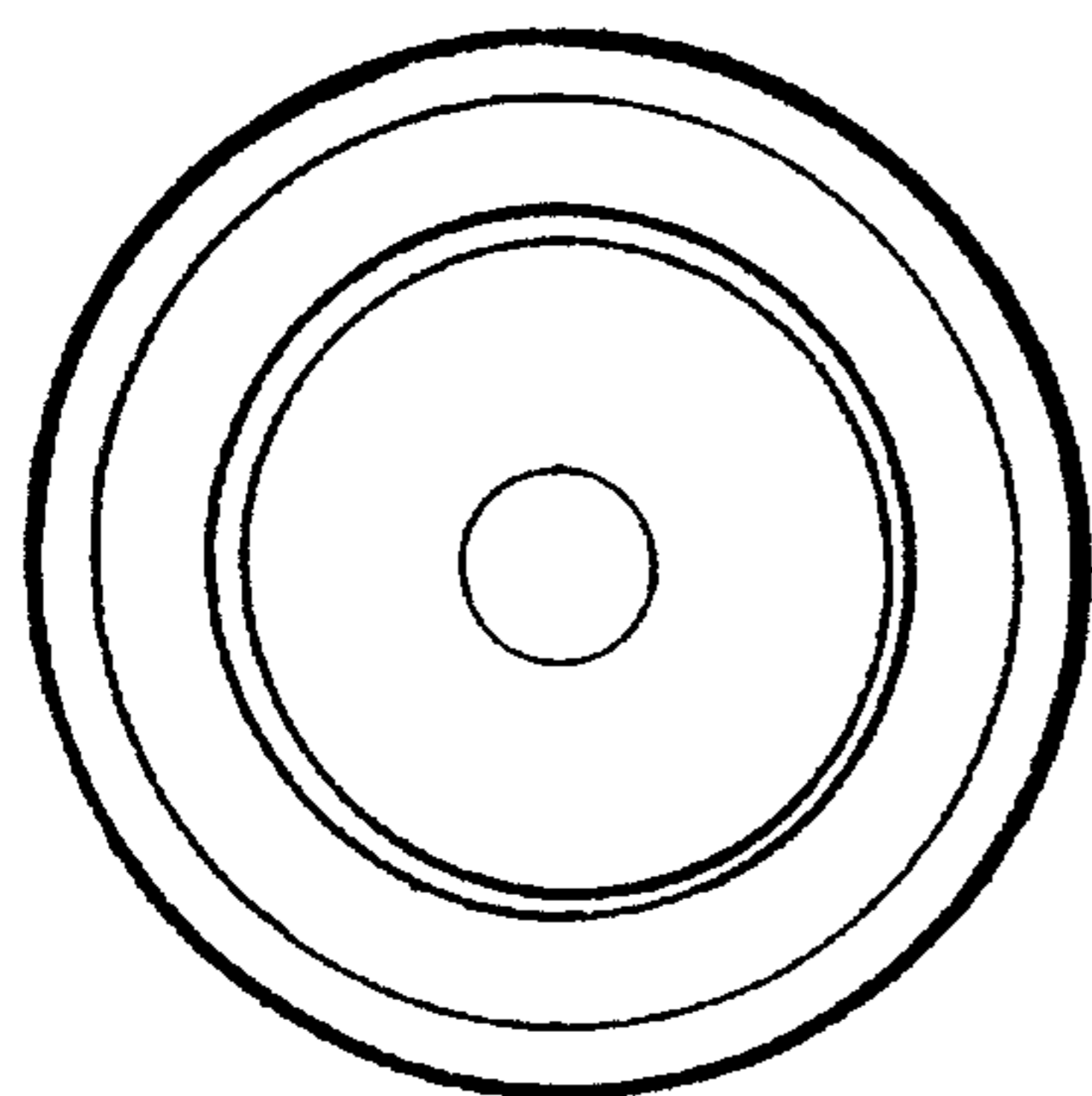


Figure 2

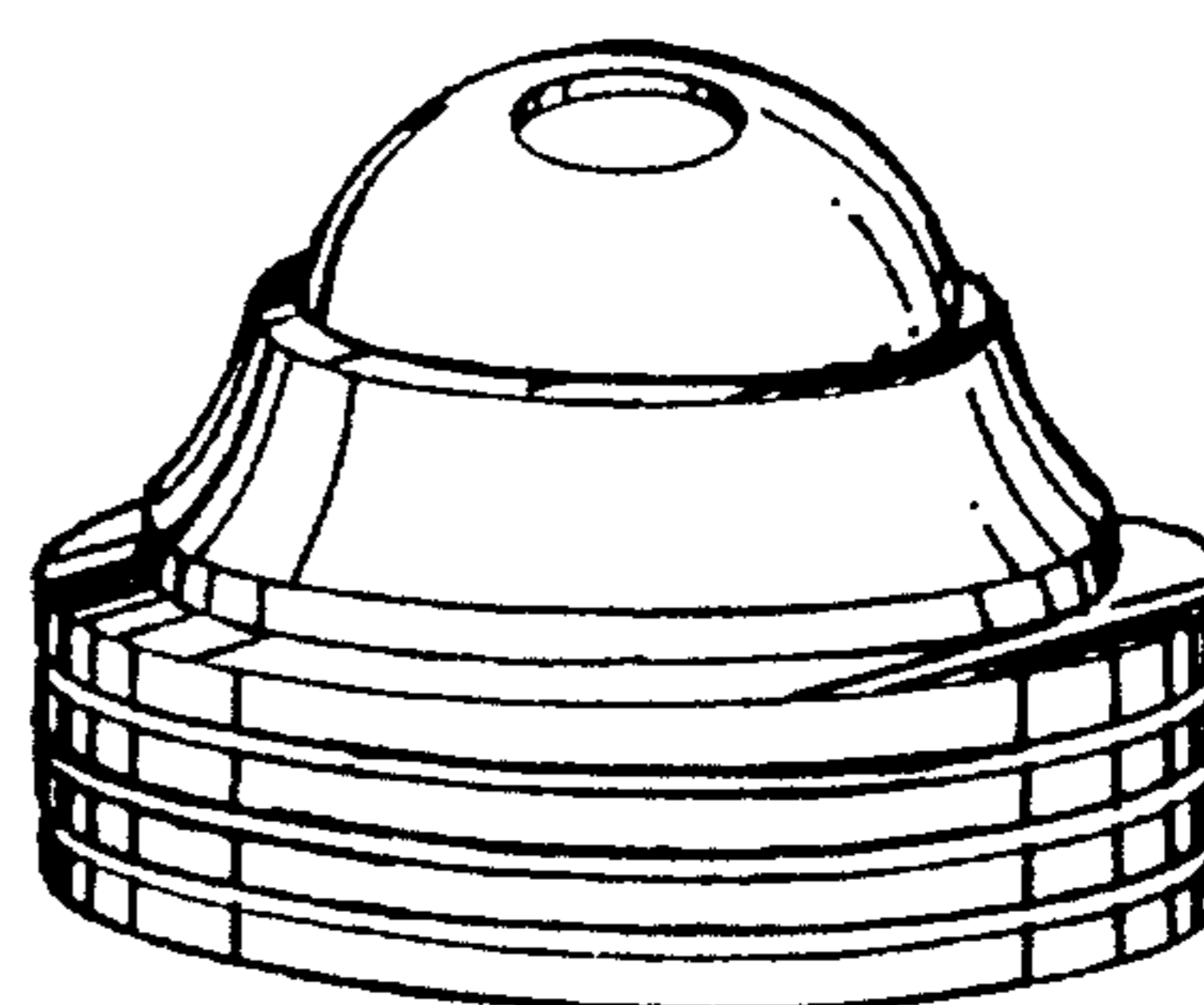


Figure 3

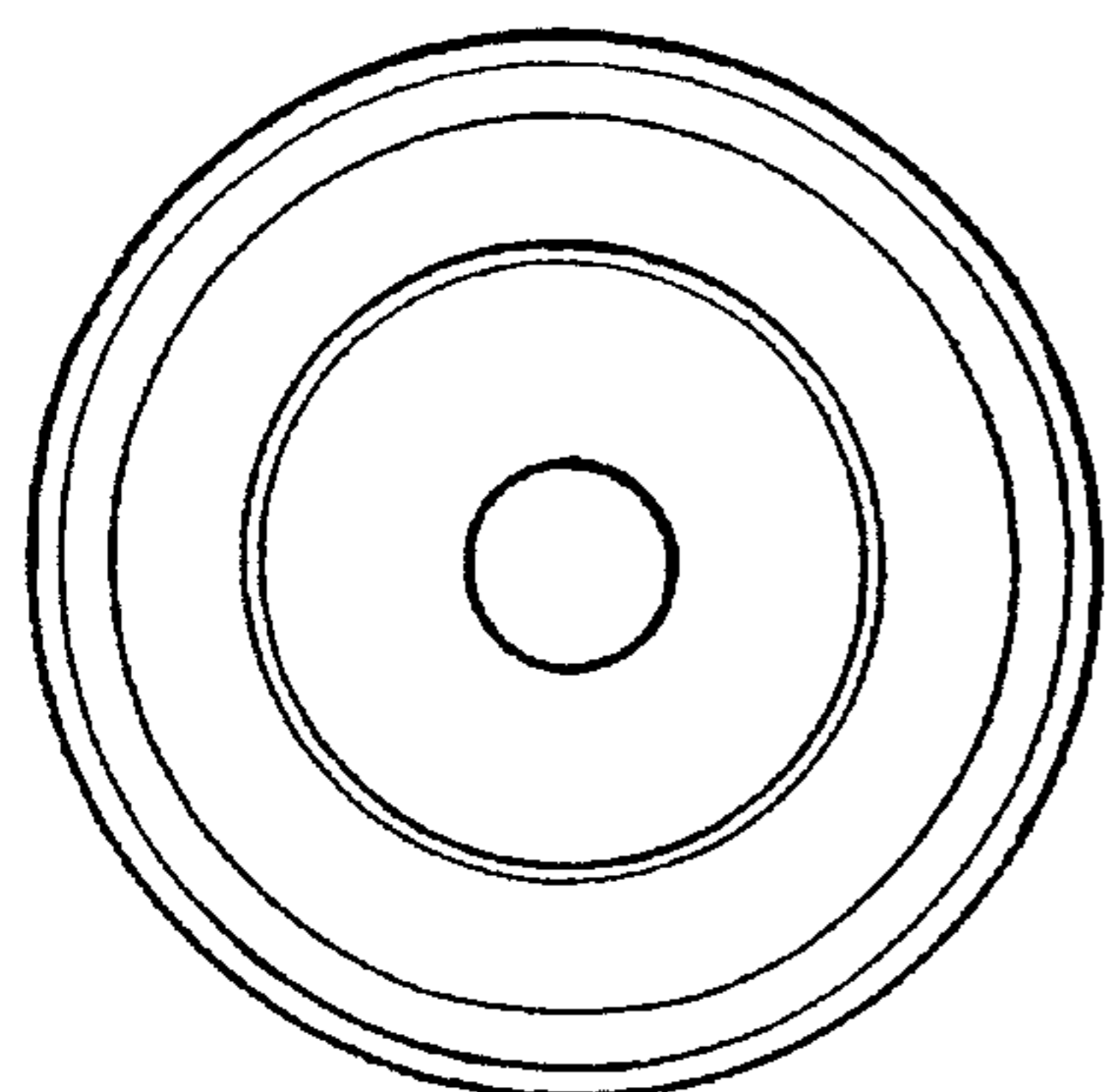


Figure 5

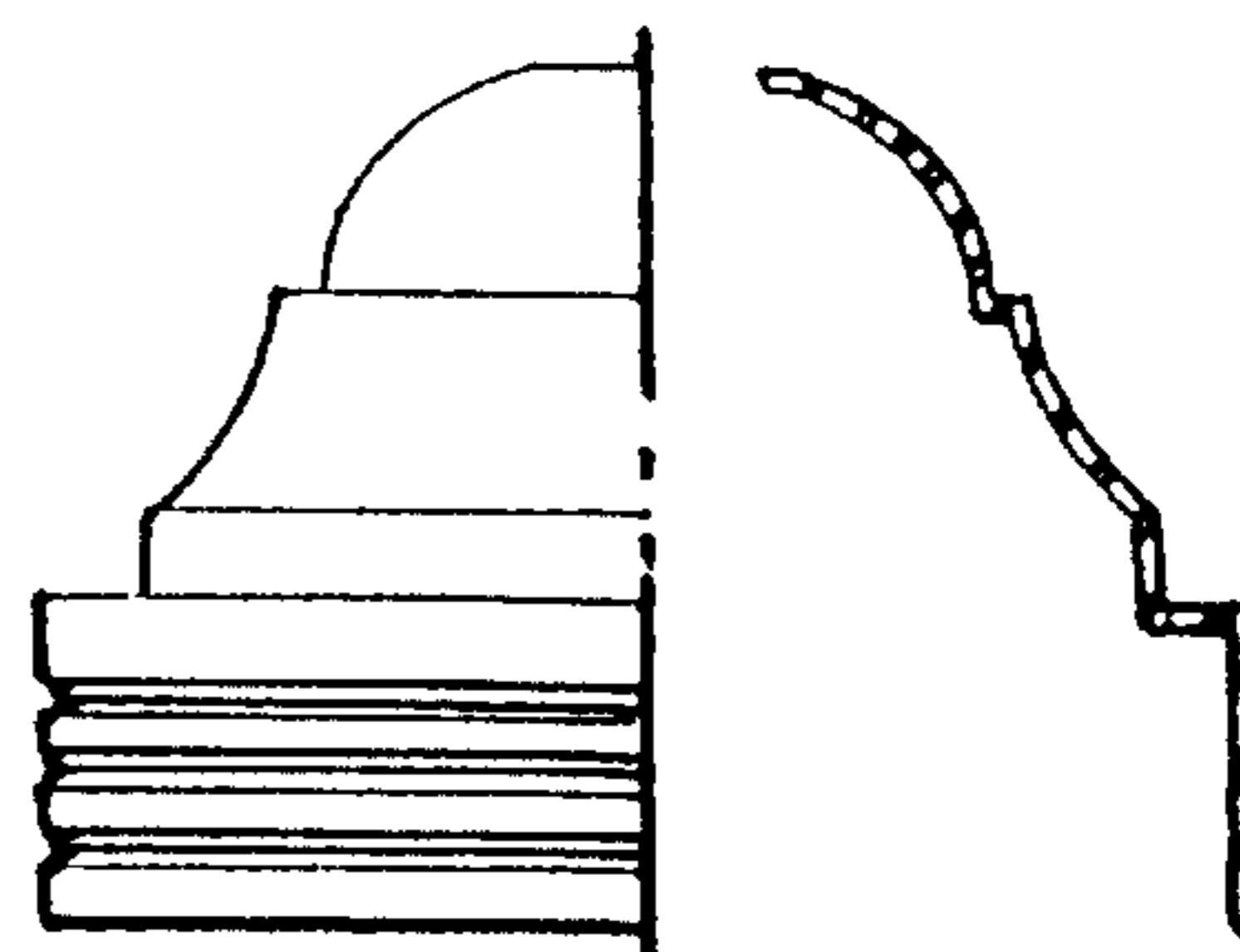


Figure 4

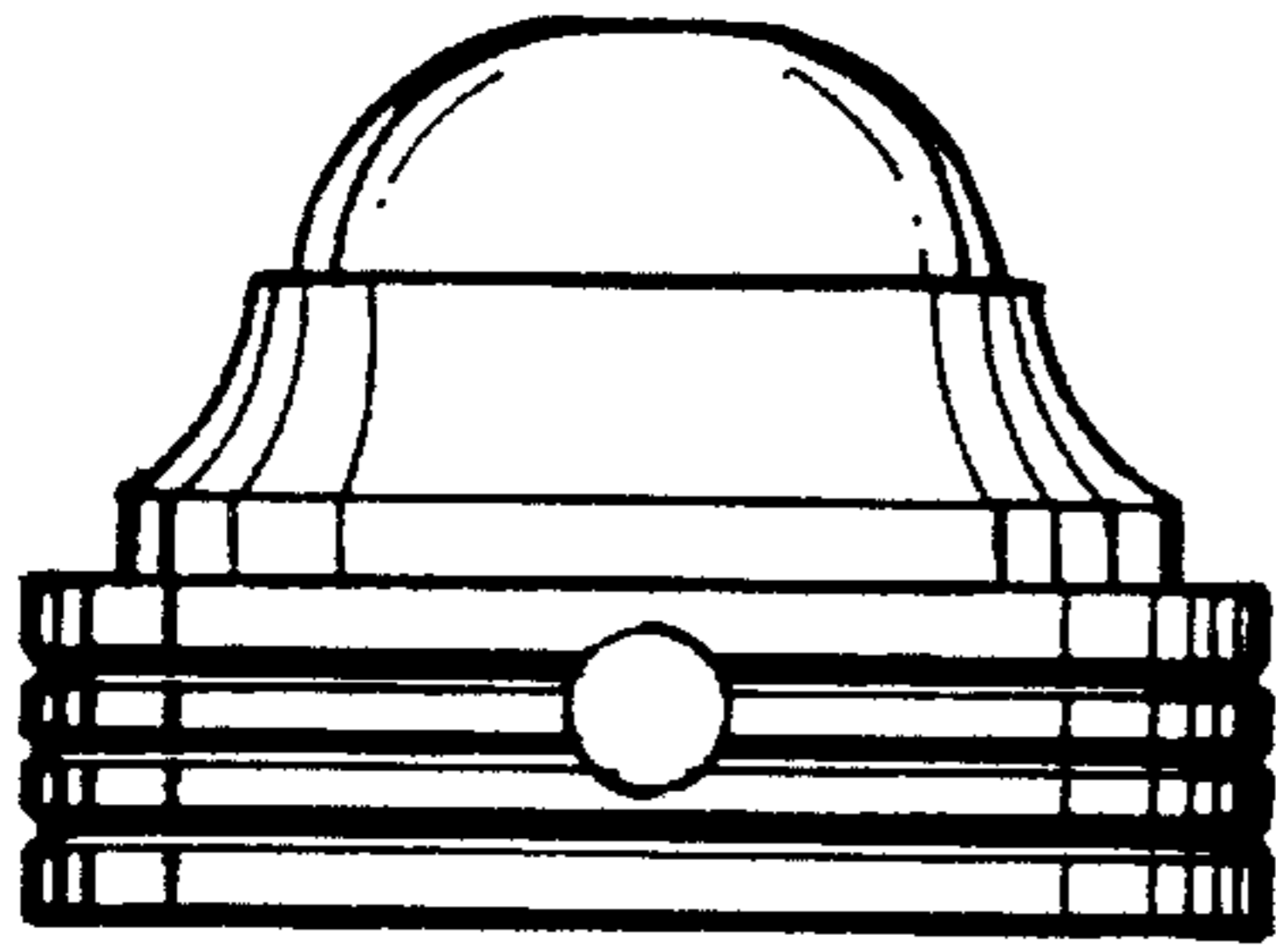


Figure 6

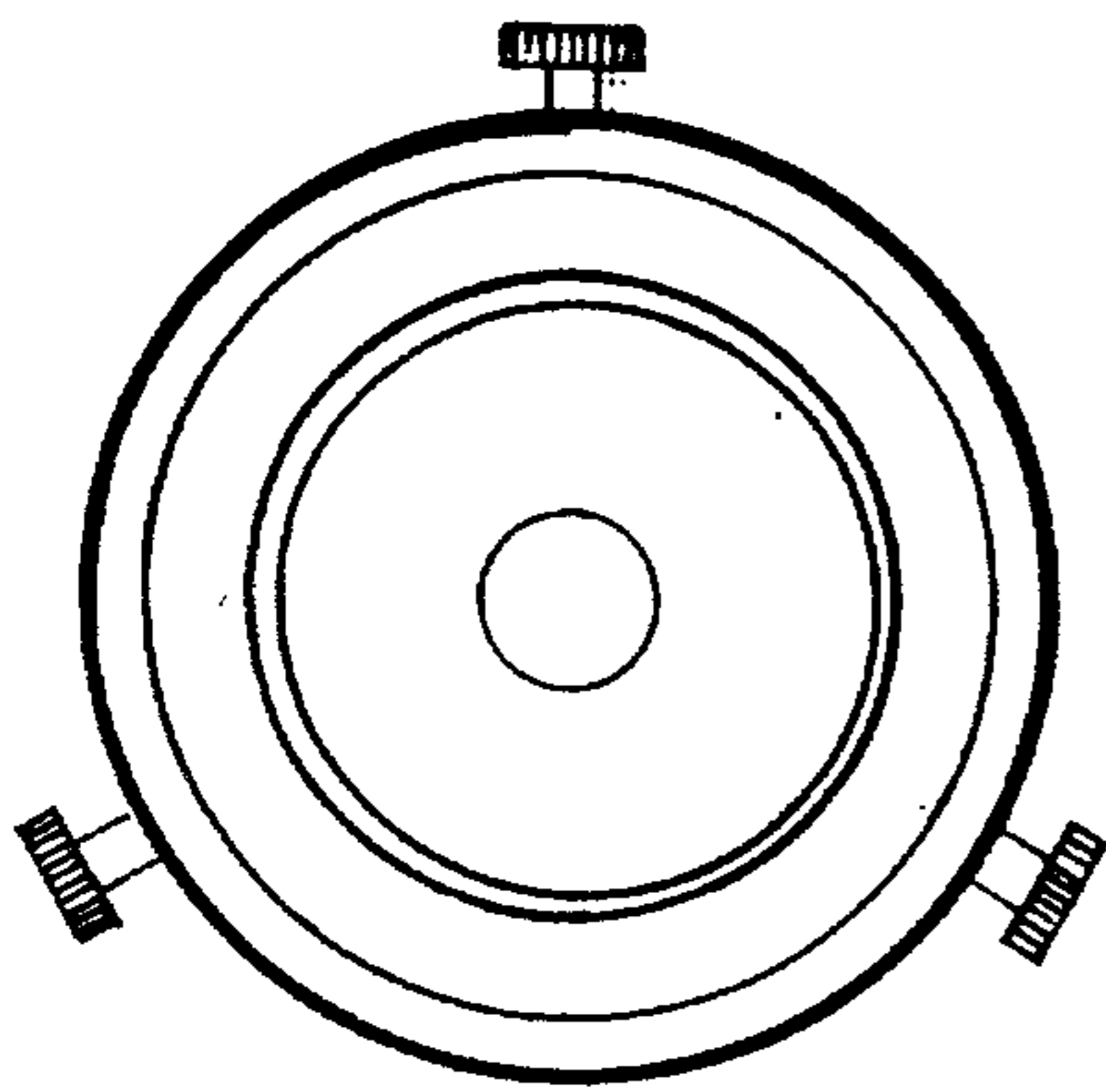


Figure 7

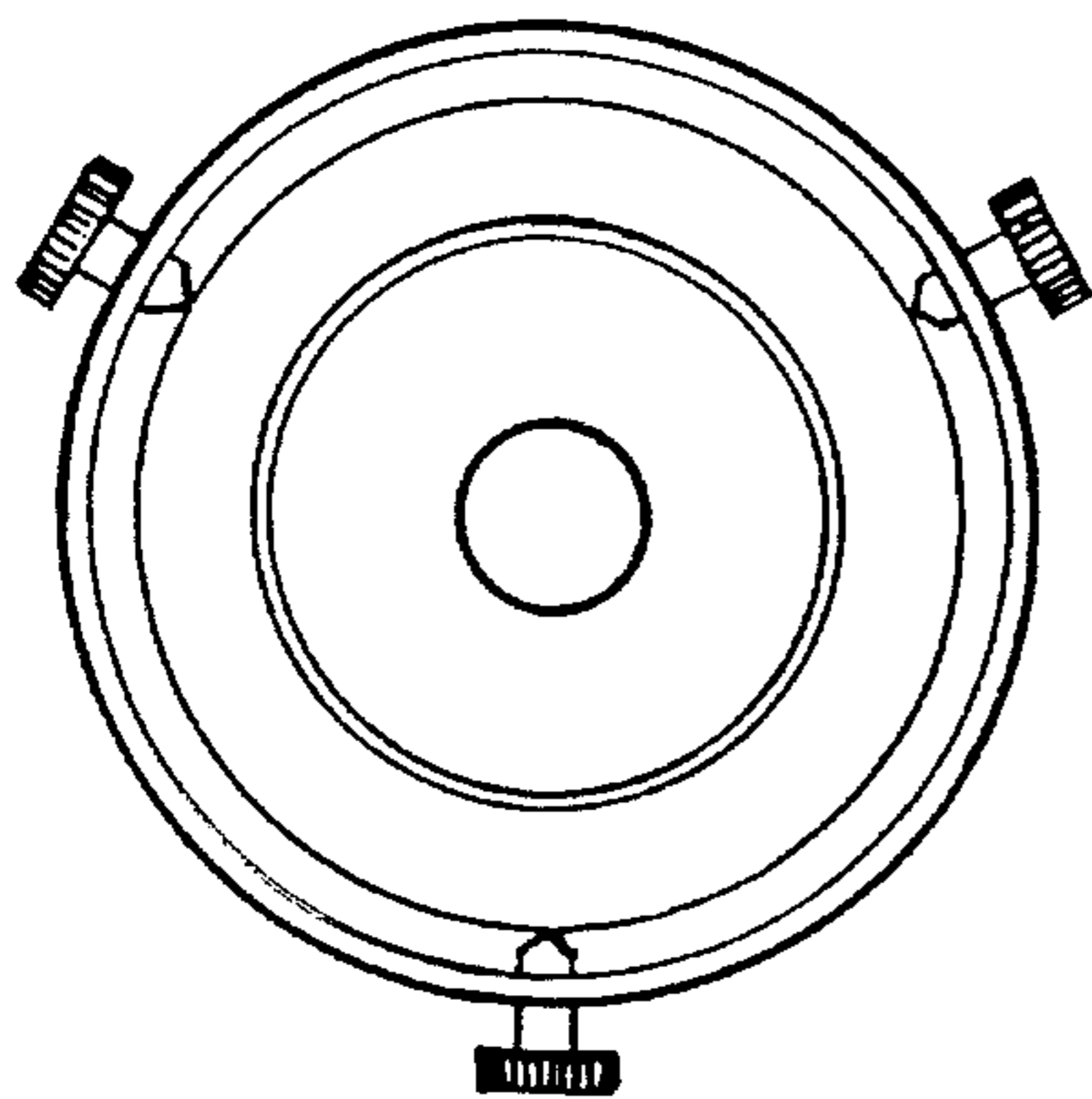


Figure 10

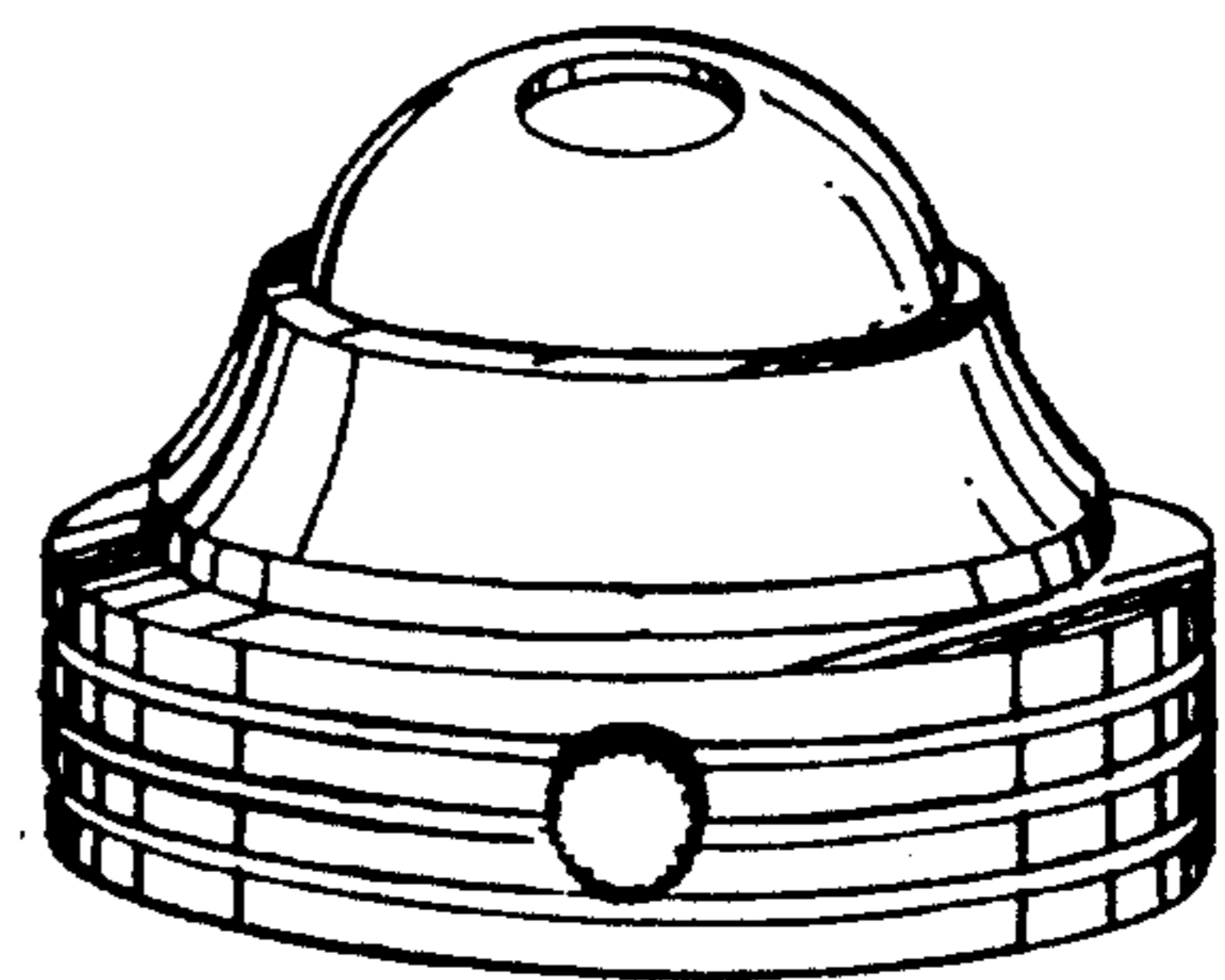


Figure 8

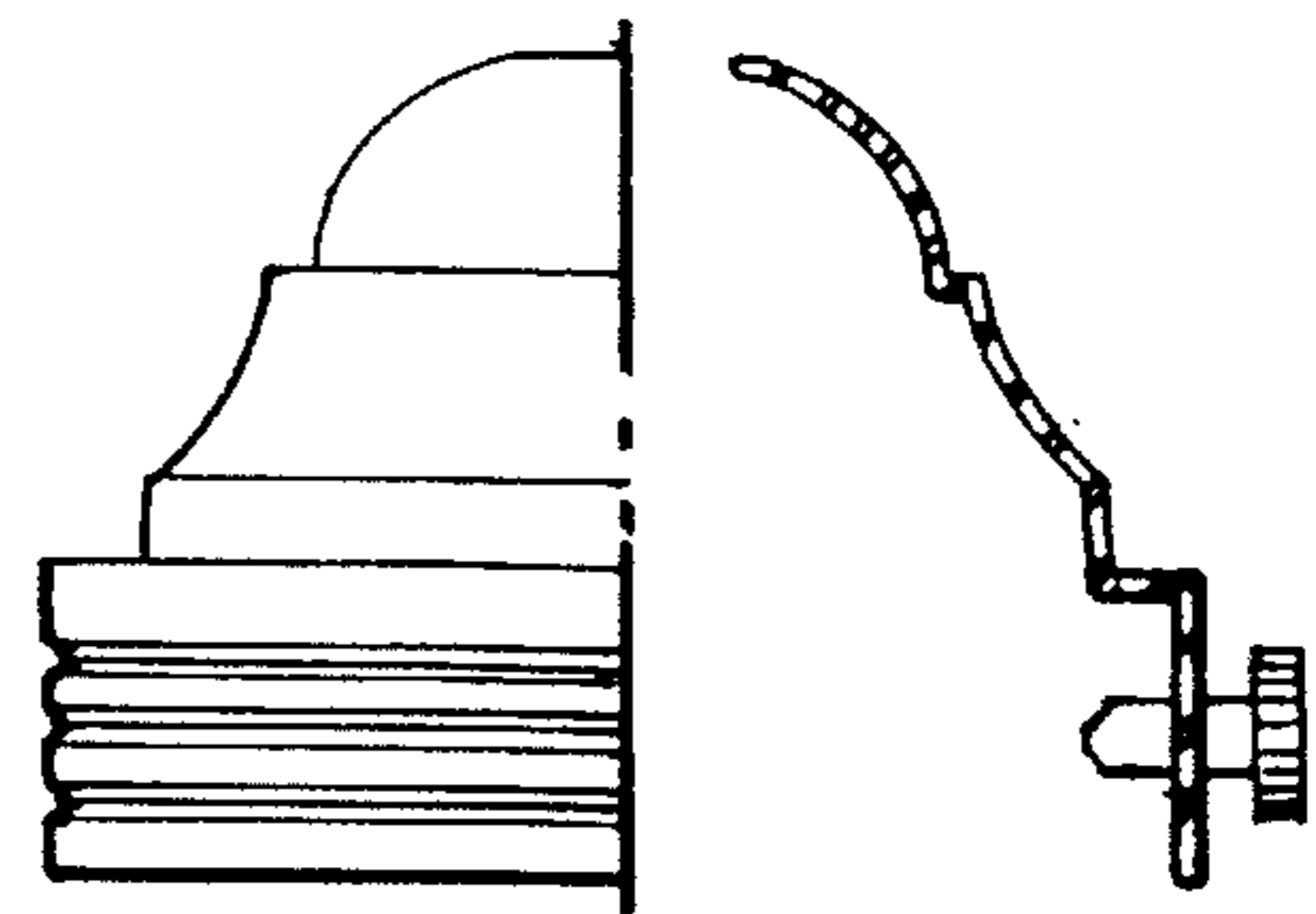


Figure 9