



US00D374100S

United States Patent [19]
Chen

[11] **Patent Number: Des. 374,100**

[45] **Date of Patent: **Sep. 24, 1996**

[54] **MINIATURE PORTABLE LAMP**

D. 301,753 6/1989 Charet et al. D26/60
5,180,220 1/1993 Van Kalsbeek 362/396 X

[76] Inventor: **Mike Chen**, P.O. Box 55-1670, Taipei
(10477), Taiwan

Primary Examiner—Susan J. Lucas

[**] Term: **14 Years**

[57] **CLAIM**

[21] Appl. No.: **41,219**

The ornamental design for miniature portable lamp, as shown and described.

[22] Filed: **Jul. 10, 1995**

DESCRIPTION

[52] U.S. Cl. **D26/60; D26/65**

[58] Field of Search D26/60, 61, 63,
D26/65; 362/269, 275, 418, 419, 421, 427,
396, 190, 191

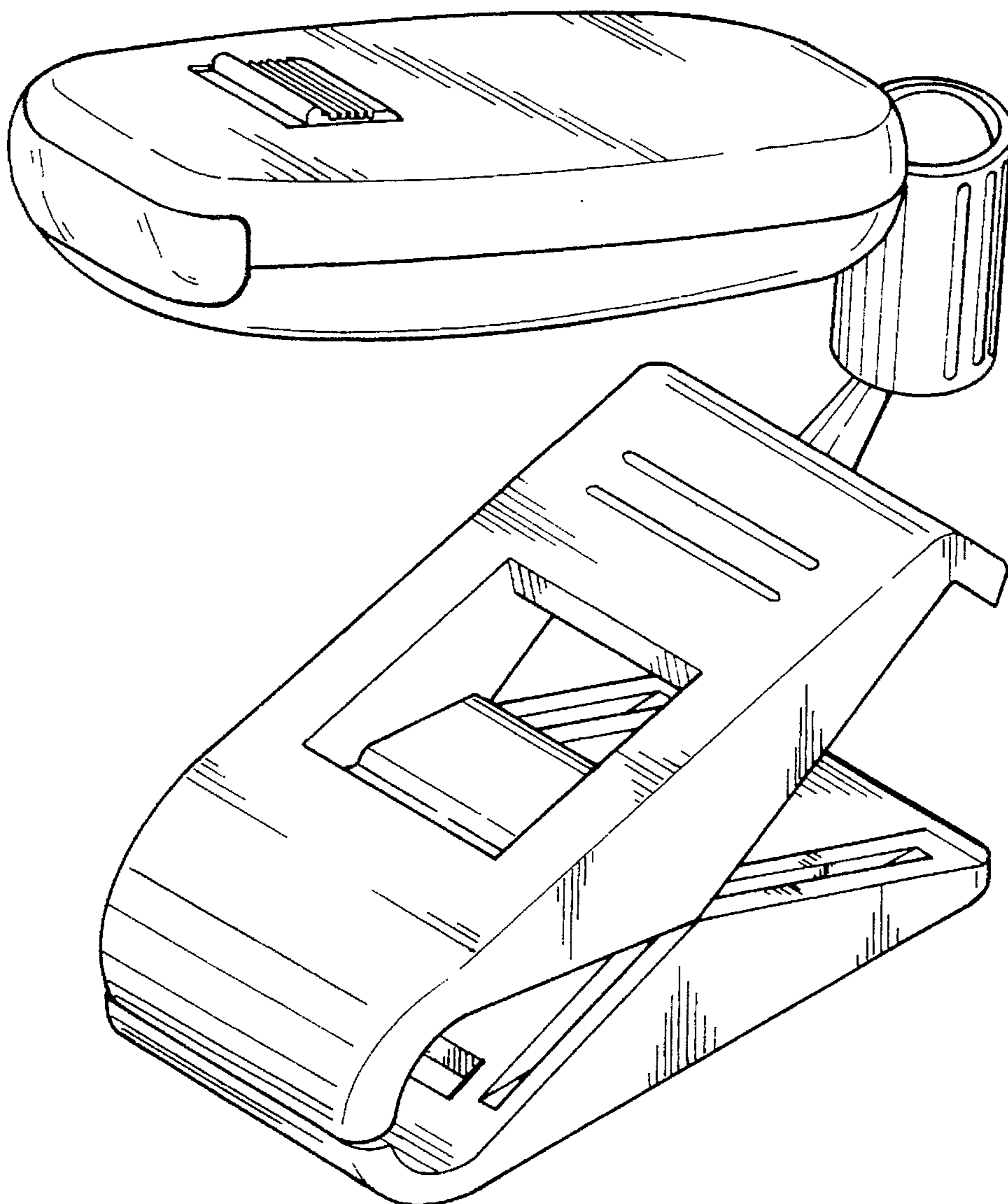
FIG. 1 is a front elevational view of a miniature portable lamp showing my new design;
FIG. 2 is a rear elevational view;
FIG. 3 is a left side elevational view;
FIG. 4 is a right side elevational view;
FIG. 5 is a top plan view;
FIG. 6 is a bottom plan view; and,
FIG. 7 is a perspective view.

[56] **References Cited**

U.S. PATENT DOCUMENTS

D. 271,526	1/1983	Zeller	D26/60
D. 278,658	4/1985	Tanaka	D26/60
D. 279,032	5/1985	Doyel	D26/60
D. 290,884	7/1987	Sano et al.	D26/65

1 Claim, 4 Drawing Sheets



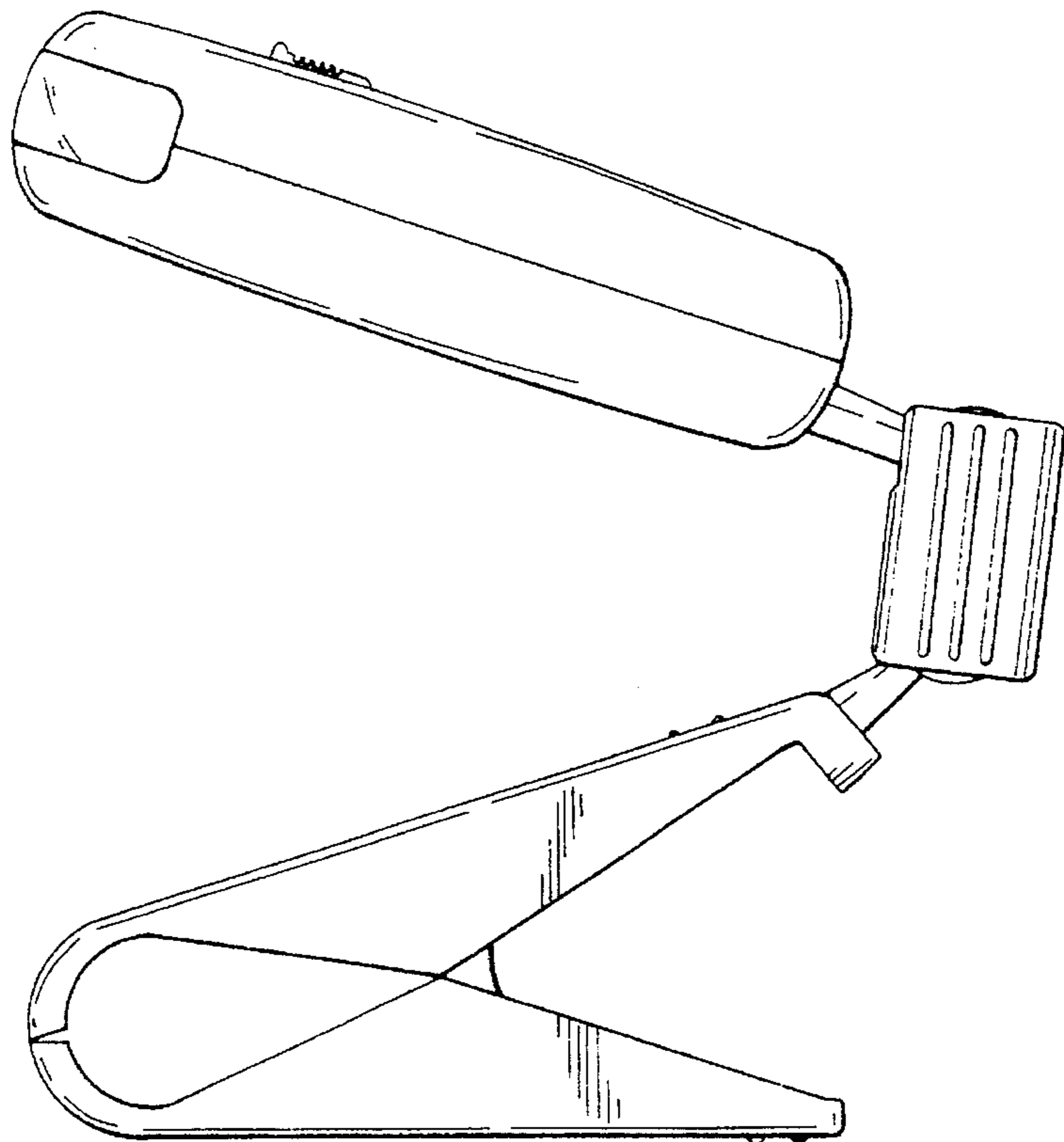


FIG. 1

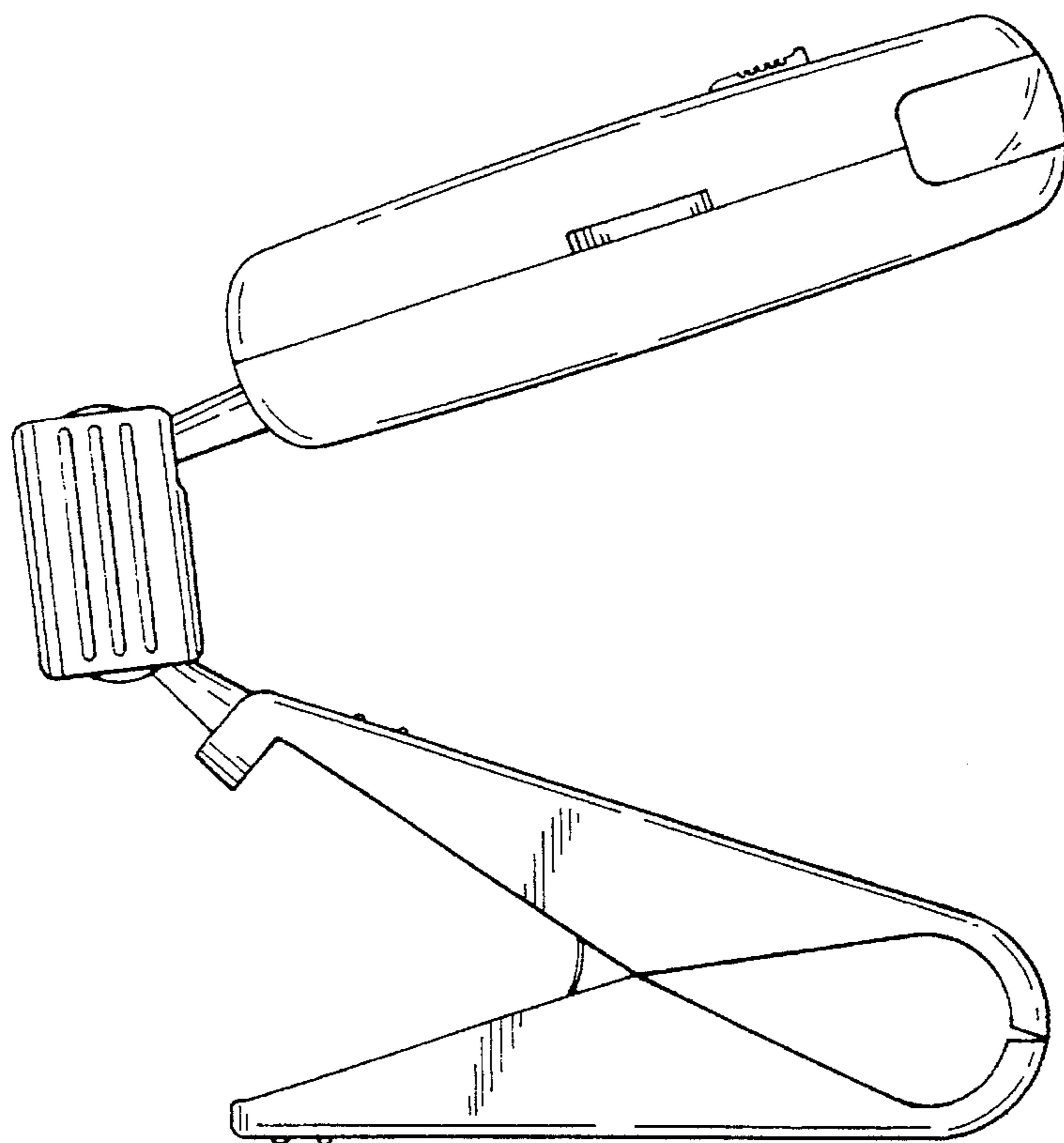


FIG. 2

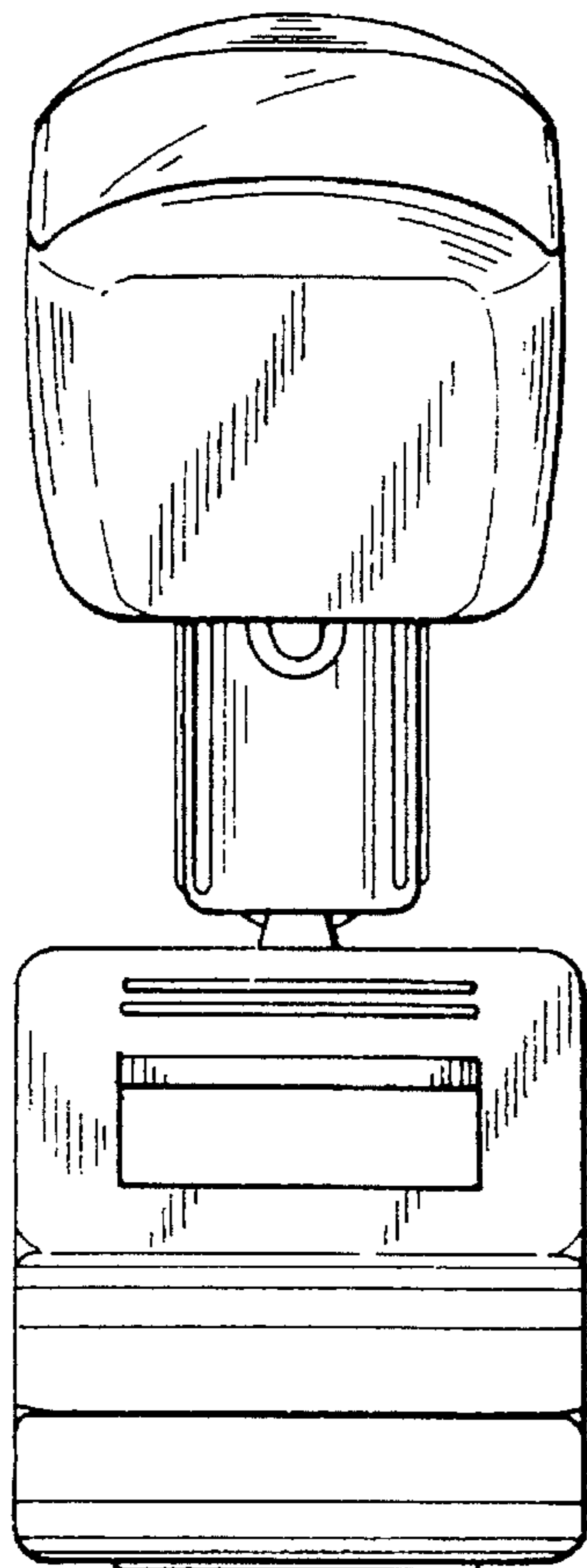


FIG. 3

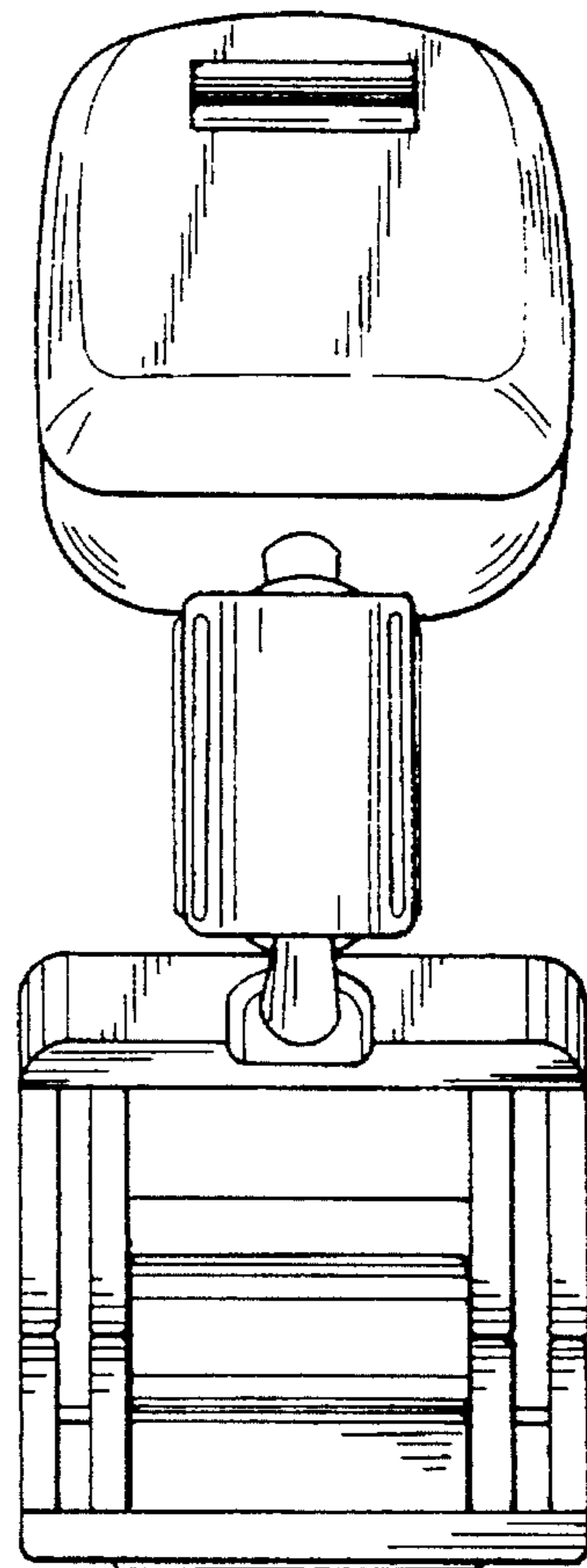


FIG. 4

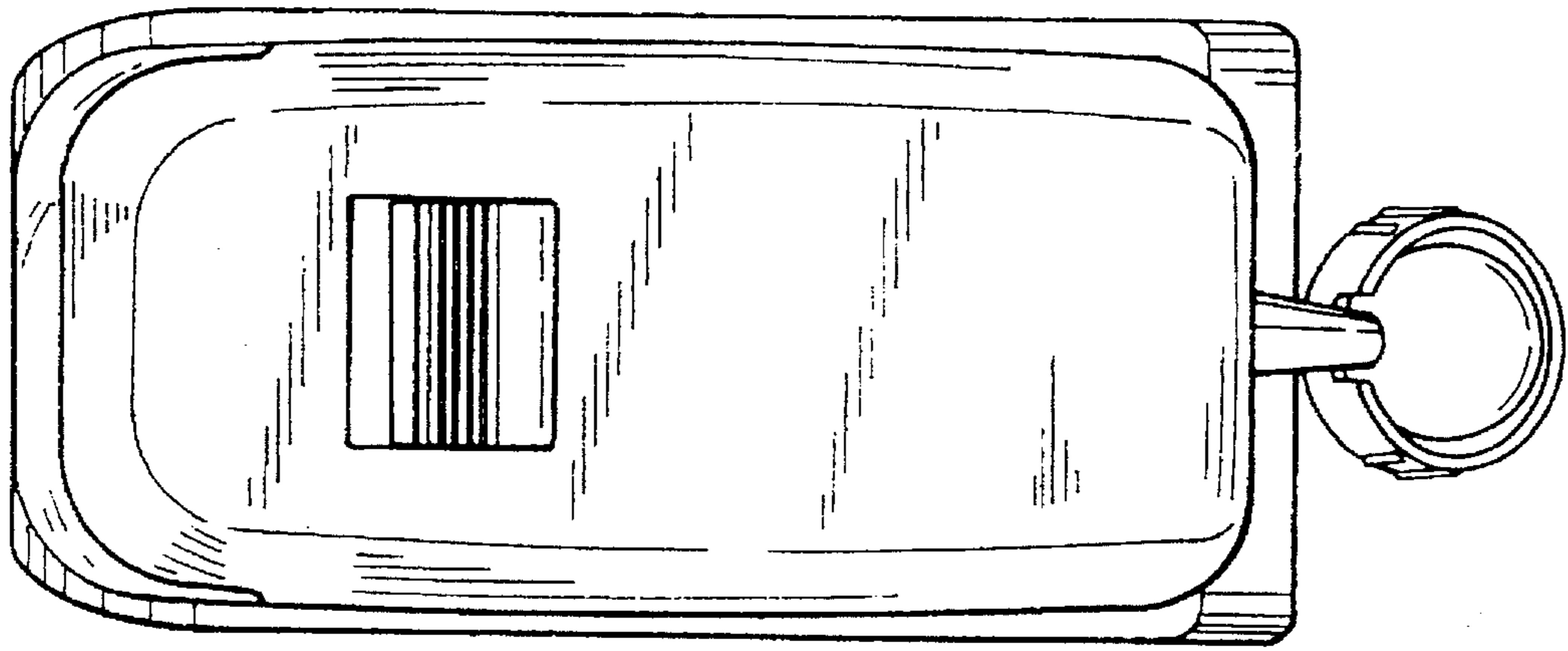


FIG. 5

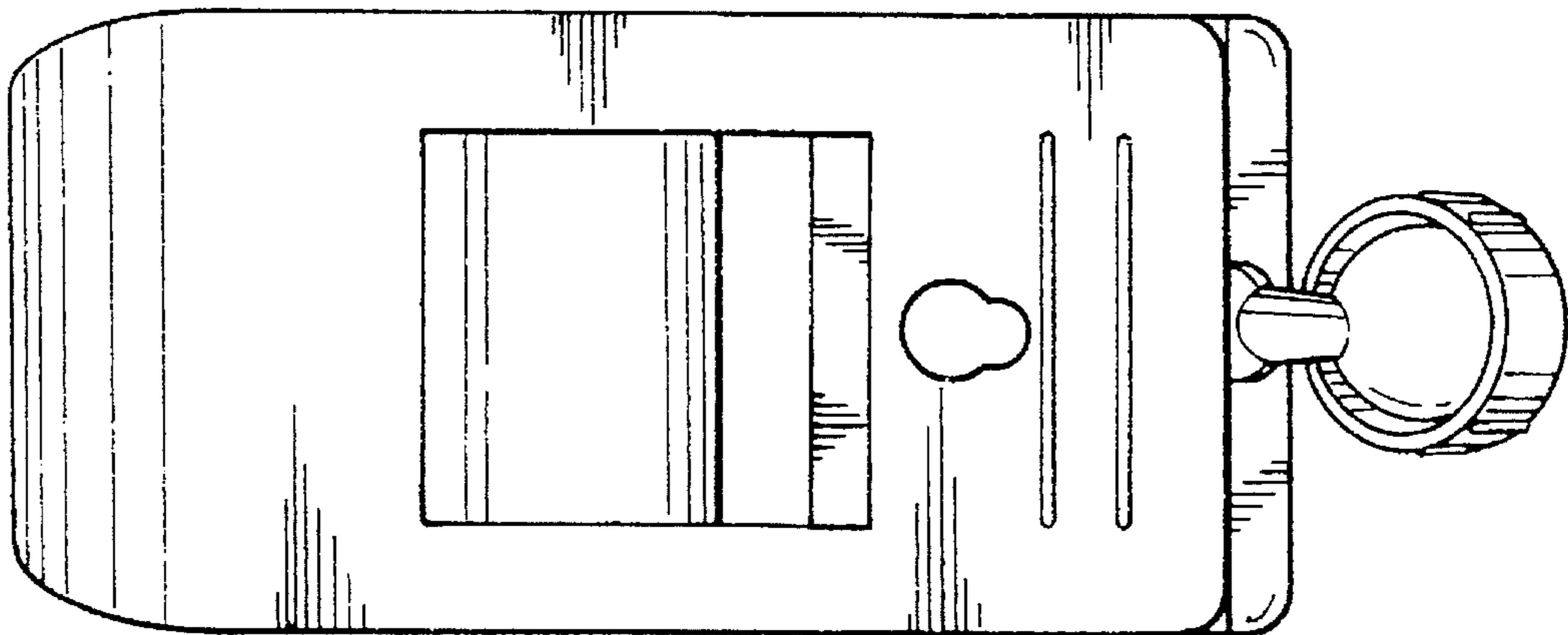


FIG. 6

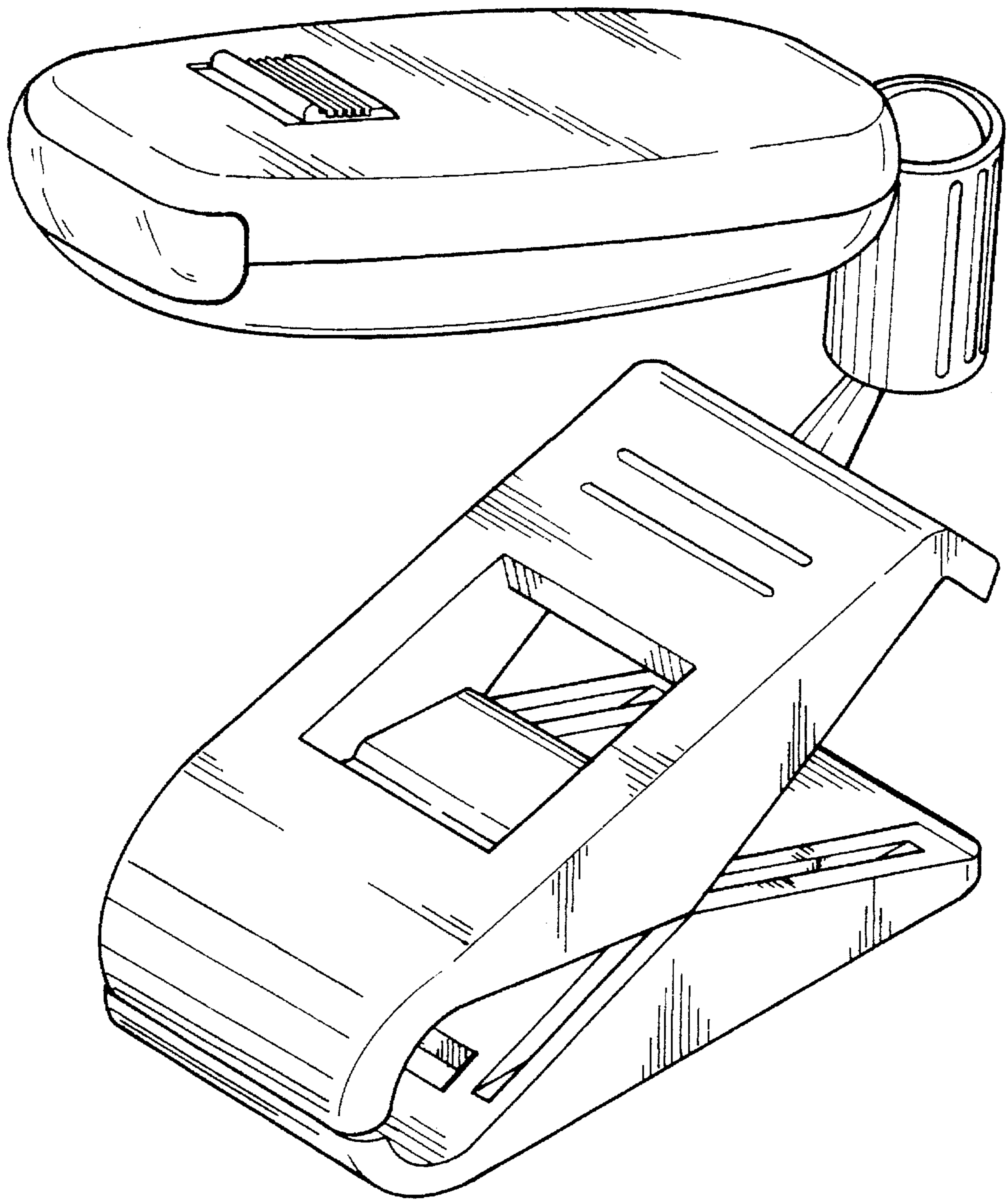


FIG. 7