



US00D374099S

# United States Patent [19]

**Bamber**

[11] **Patent Number: Des. 374,099**

[45] **Date of Patent: \*\*Sep. 24, 1996**

[54] **ELECTRIC LANTERN**

[75] **Inventor: David J. Bamber, Wichita, Kans.**

[73] **Assignee: The Coleman Company, Inc., Wichita, Kans.**

[\*\*] **Term: 14 Years**

[21] **Appl. No.: 46,311**

[22] **Filed: Nov. 13, 1995**

[52] **U.S. Cl. .... D26/41**

[58] **Field of Search ..... D26/37, 40-42, D26/50; 362/157-159, 171-174, 177, 178**

[56] **References Cited**

**U.S. PATENT DOCUMENTS**

D. 280,027	8/1985	Petterson .....	D26/40
D. 311,777	10/1990	Stearns .	
D. 342,800	12/1993	Petterson .....	D26/41
4,074,122	2/1978	Moore .	
4,321,657	3/1982	Hoi .	
4,432,043	2/1984	Yuen .	
4,663,697	5/1987	Stearns et al. .	
4,771,370	9/1988	Lowe, Jr. et al. .	
4,787,018	11/1988	Poyer .	
5,192,126	3/1993	Remeyer et al. .	
5,217,297	6/1993	Yuen .	

5,293,306	3/1994	Bamber .
5,446,340	9/1995	Parillo et al. .
5,453,920	9/1995	Eubanks .

**OTHER PUBLICATIONS**

REI Catalog, Spring 1993; Item K, bottom of p. 18.

*Primary Examiner*—A. Hugo Word  
*Assistant Examiner*—Lavone D. Tabor  
*Attorney, Agent, or Firm*—Tilton, Fallon, Lungmus, Chestnut

[57] **CLAIM**

The ornamental design for a electric lantern, as shown and described.

**DESCRIPTION**

FIG. 1 is a perspective view of the electric lantern; FIG. 2 is a top plan view of FIG. 1; FIG. 3 is a bottom plan view of FIG. 1; FIG. 4 is a front elevational view FIG. 1; FIG. 5 is a right side elevational view of FIG. 1; FIG. 6 is a rear elevational view of FIG. 1; FIG. 7 is a left side elevational view of FIG. 1; and, FIG. 8 is a perspective view similar to FIG. 1 showing the handle in a lowered position.

**1 Claim, 4 Drawing Sheets**

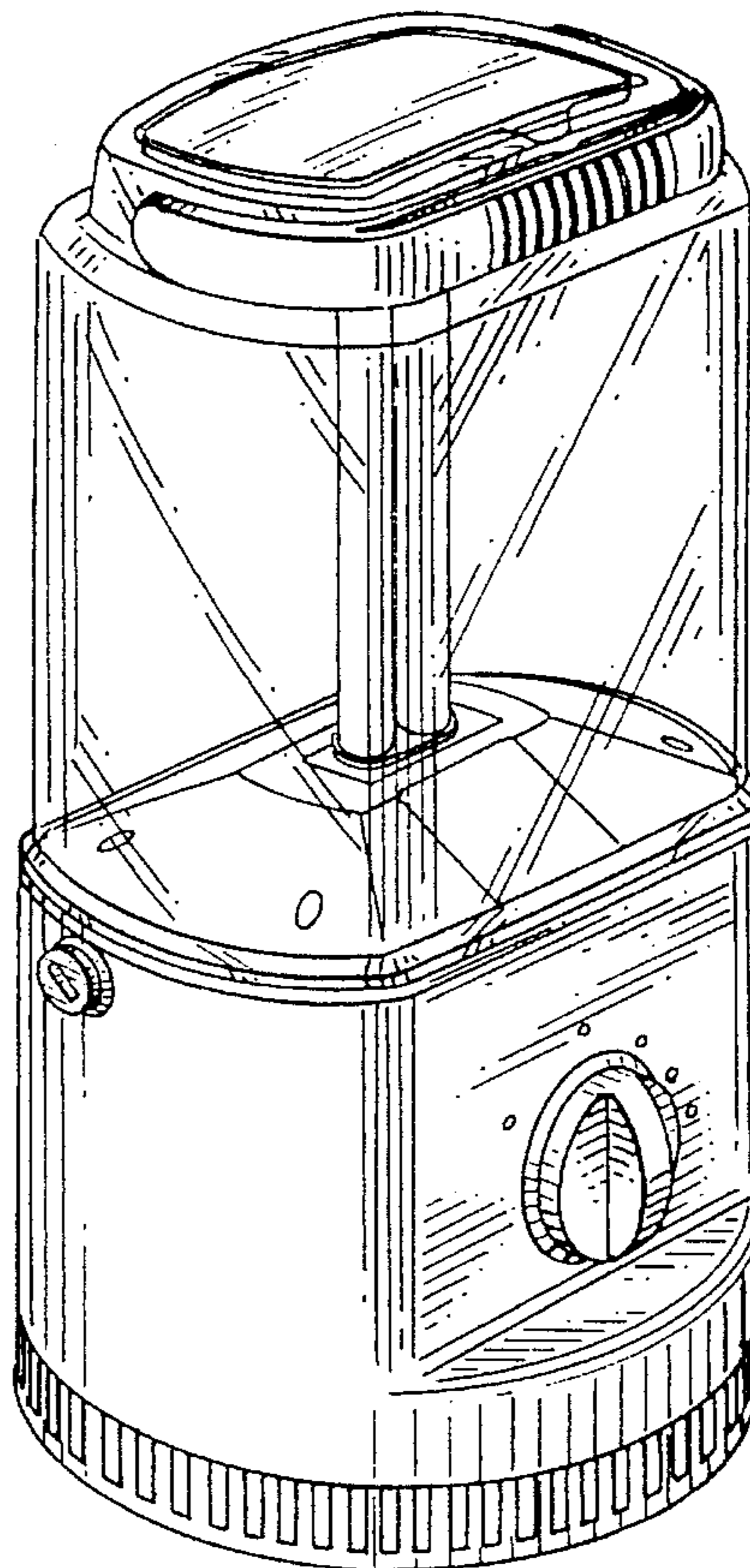
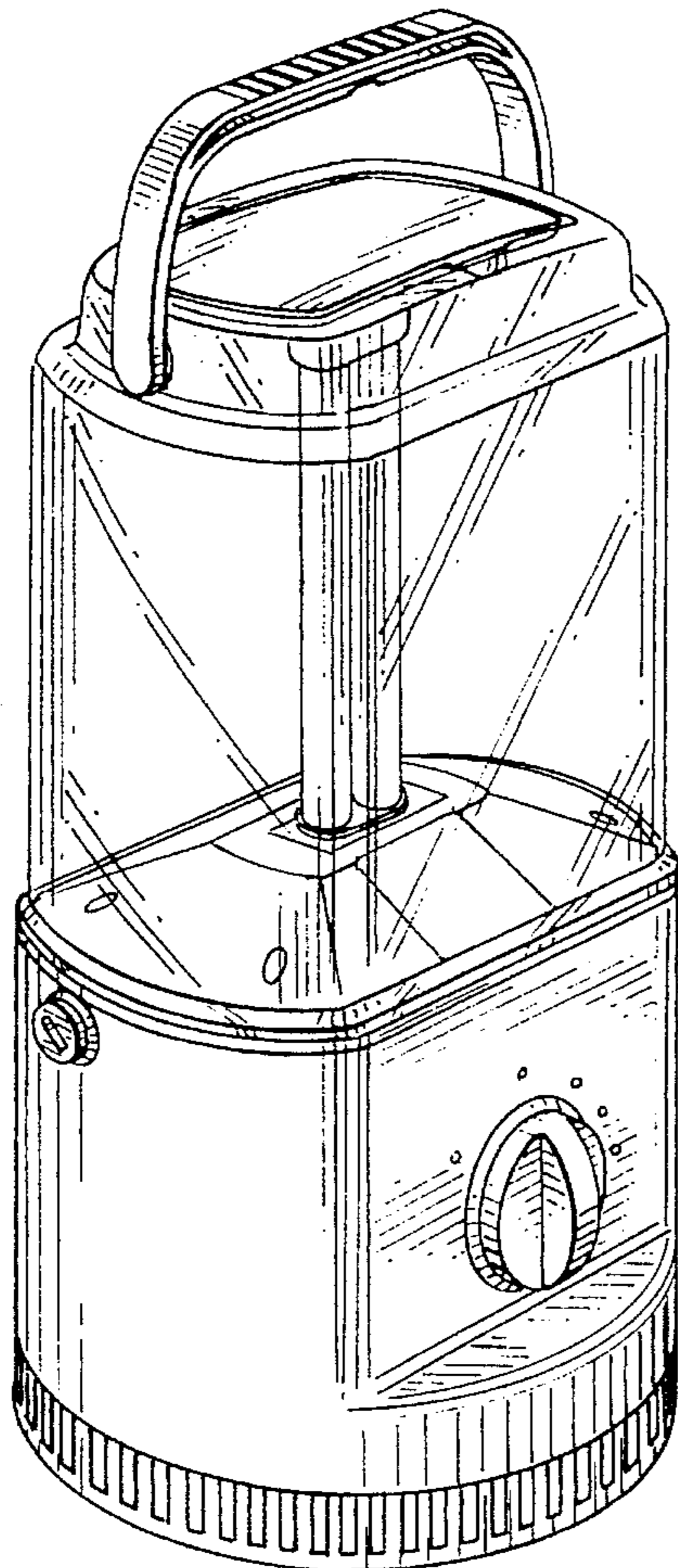


FIG. 1

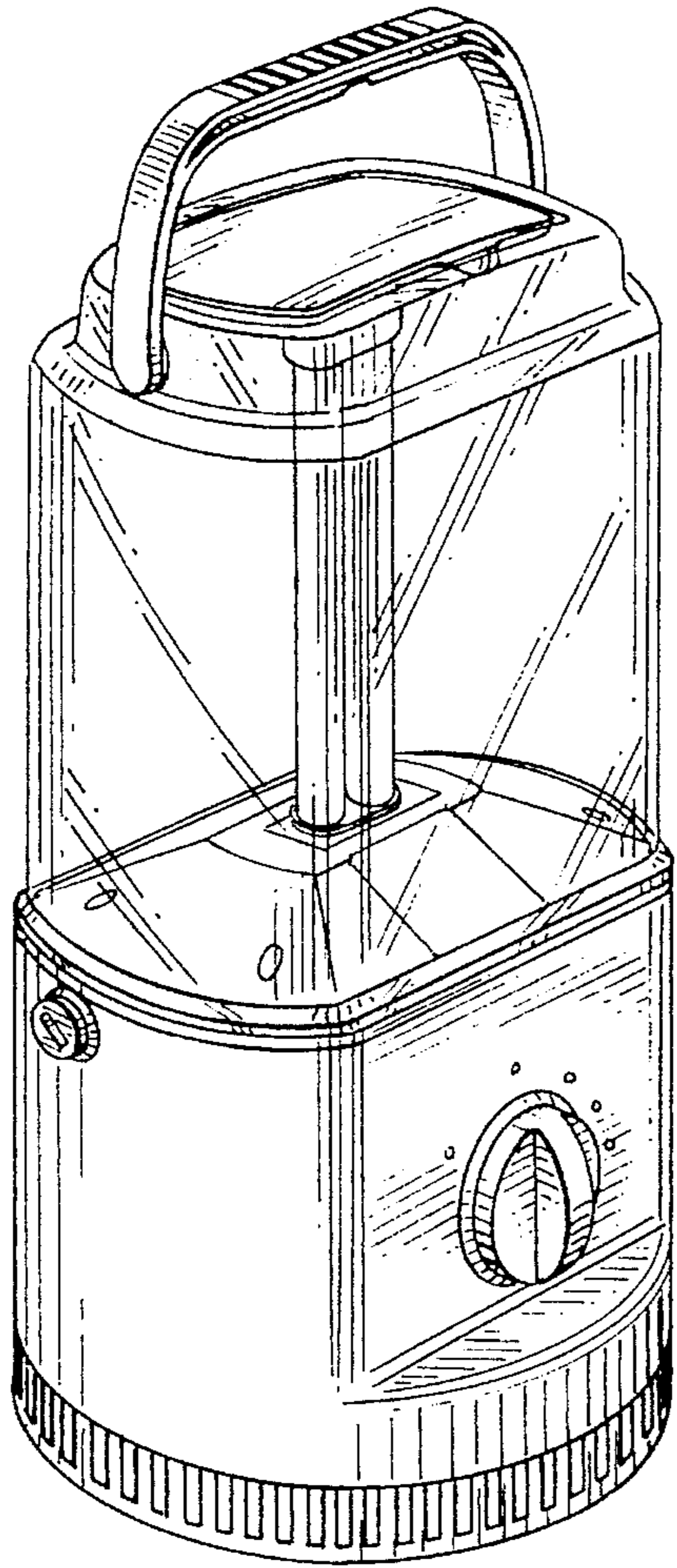


FIG. 3

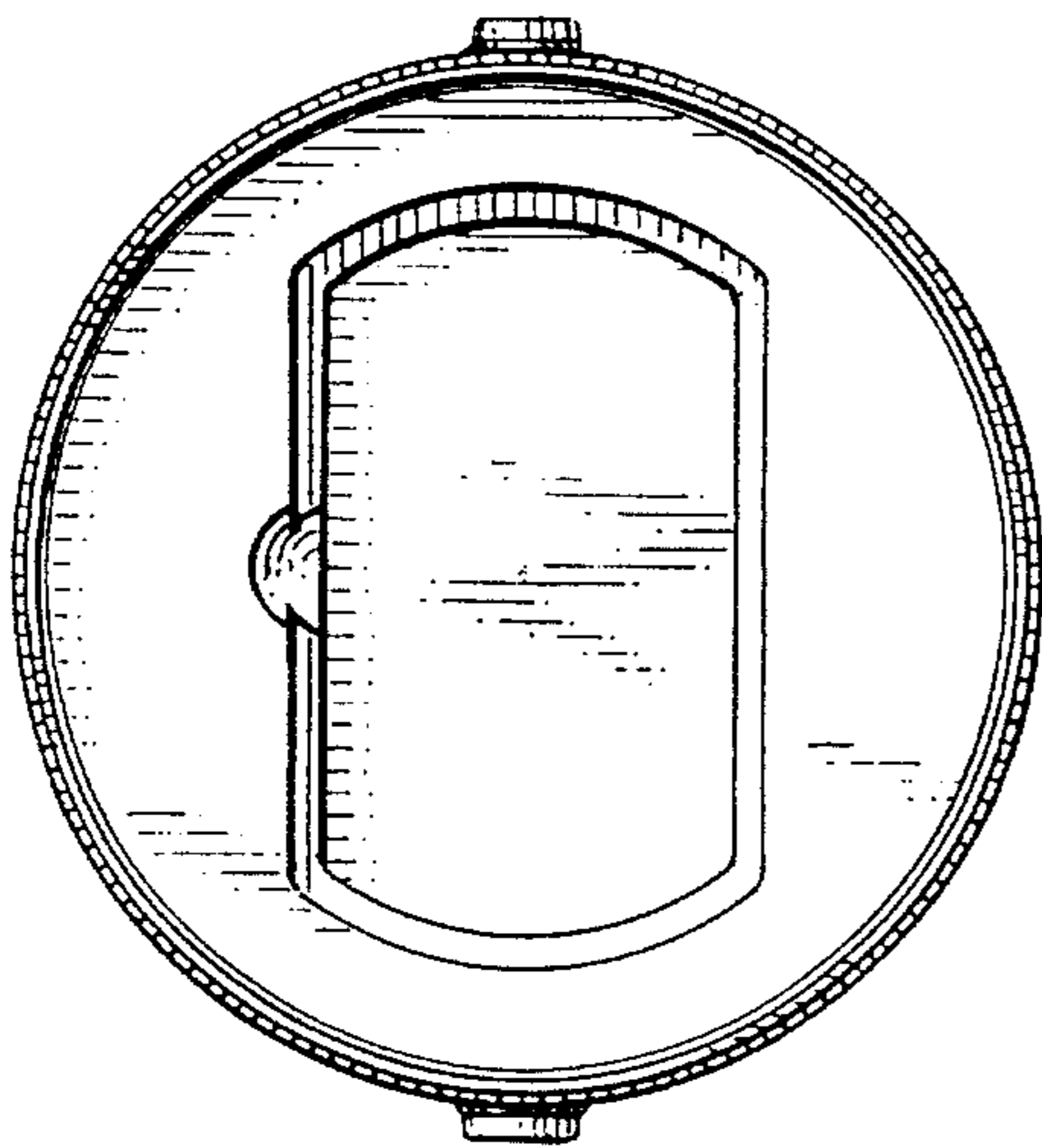


FIG. 2

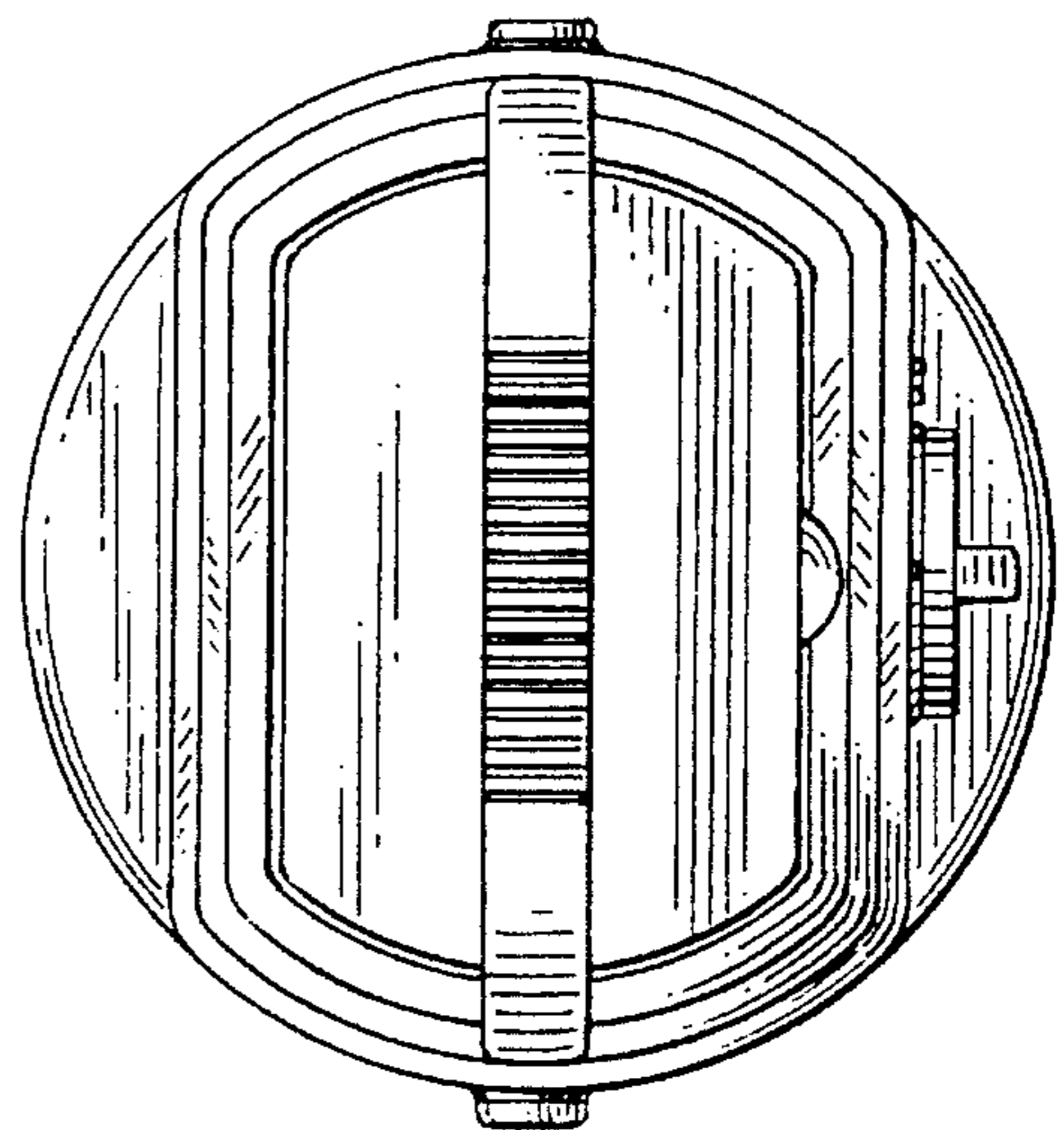


FIG. 4

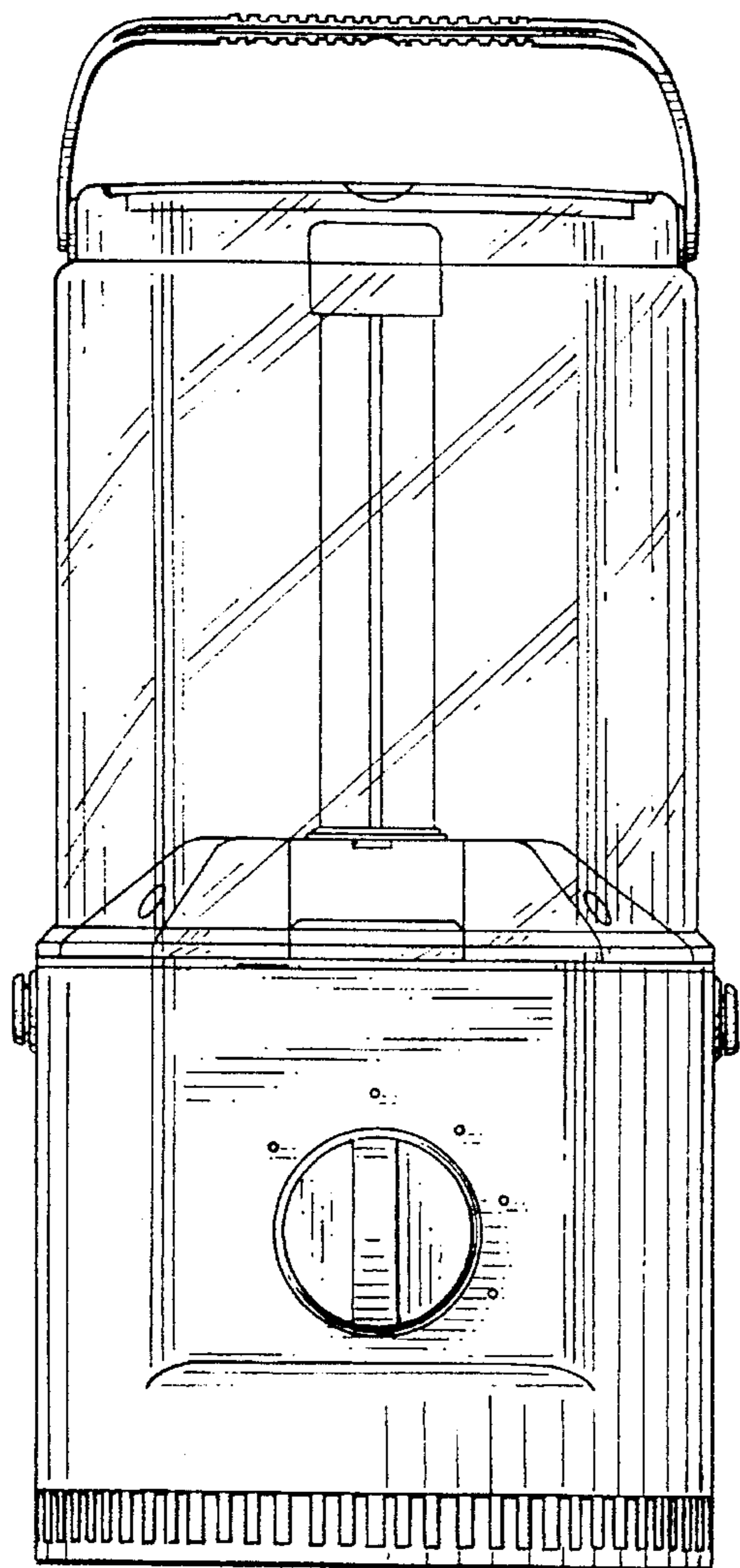


FIG. 5

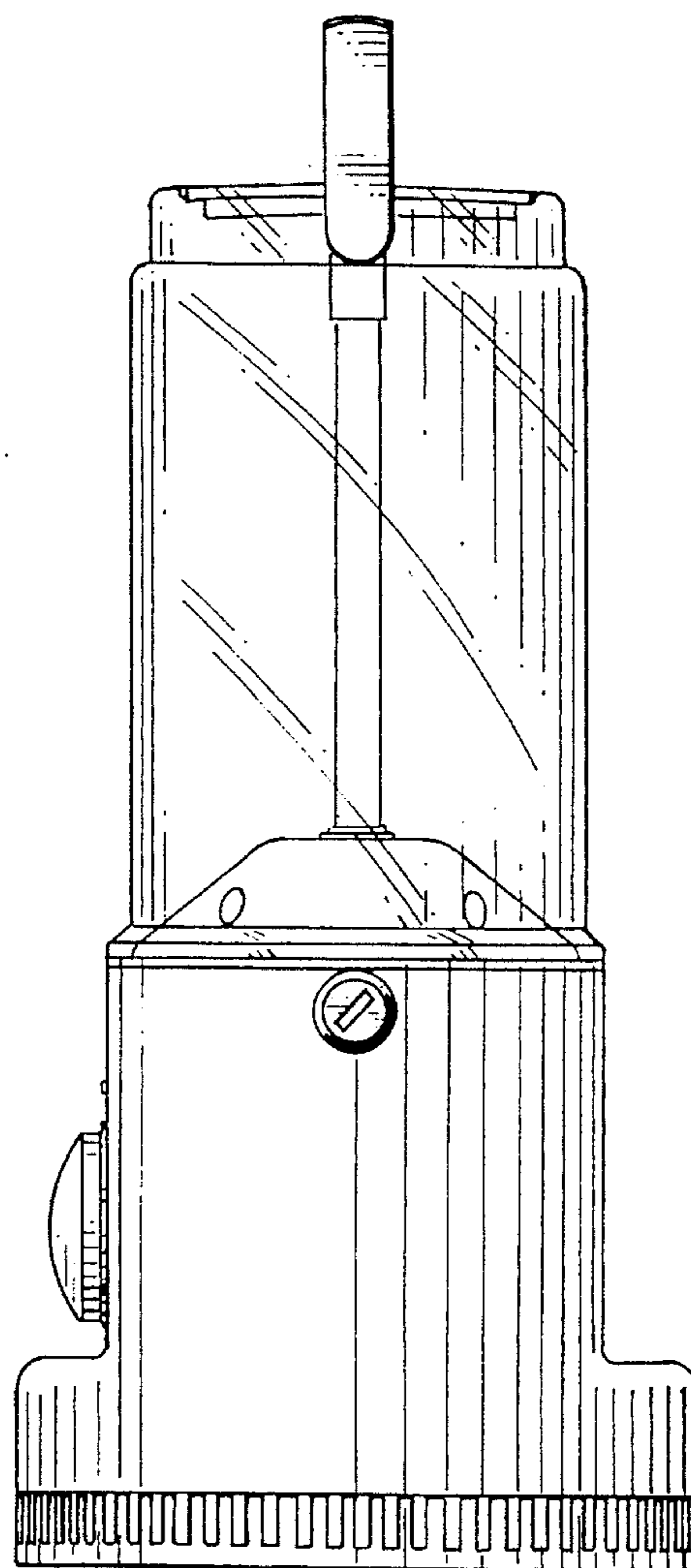


FIG. 6

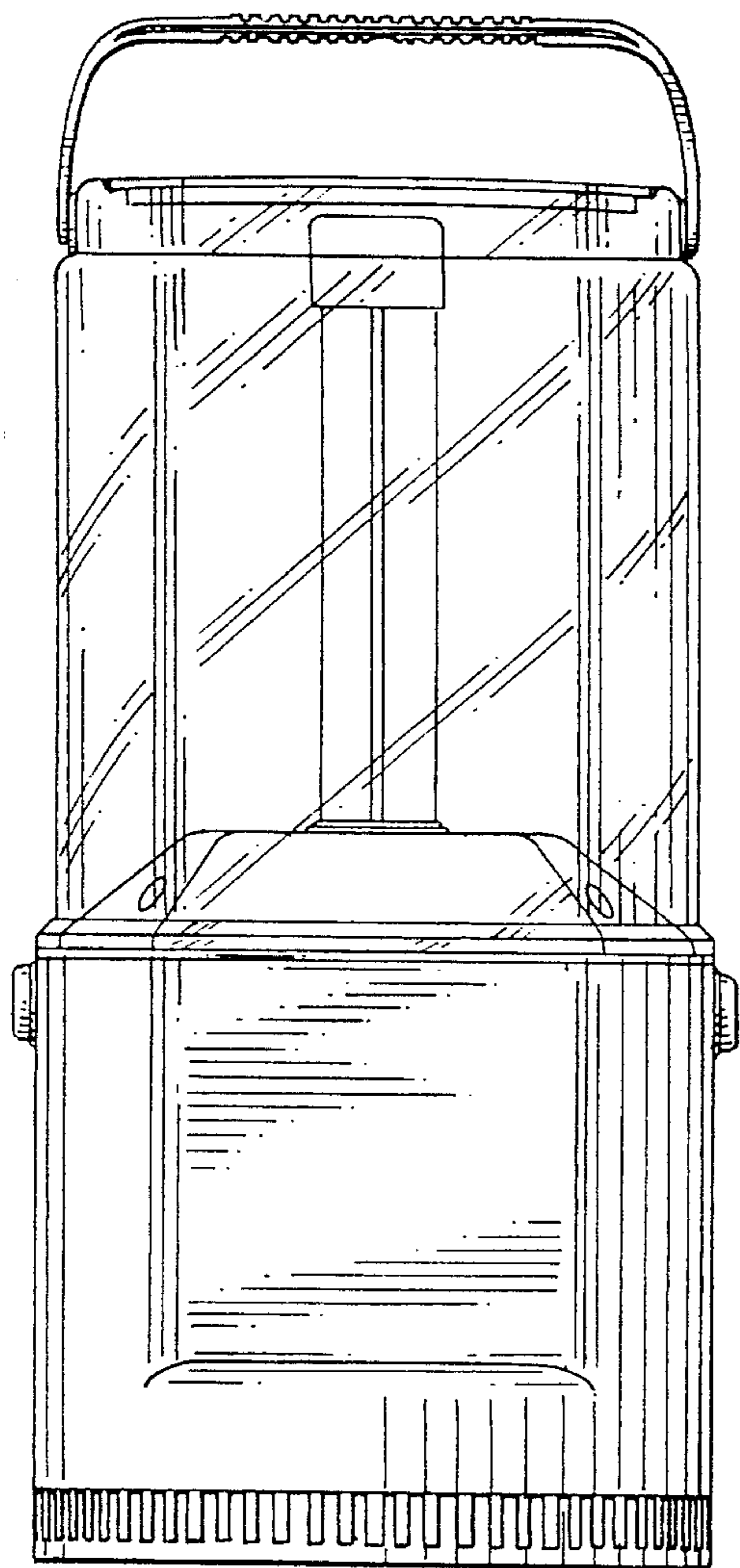


FIG. 7

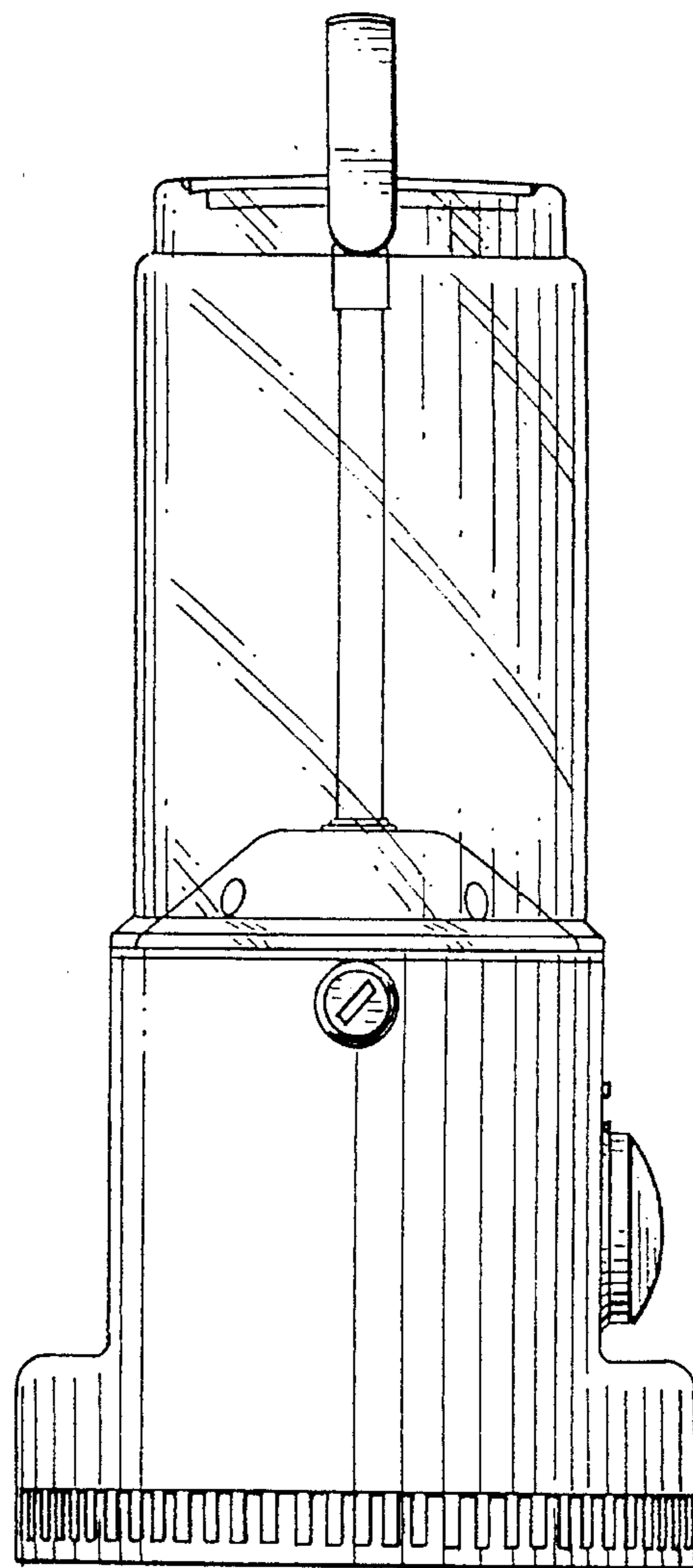


FIG. 8

