



US00D374098S

United States Patent [19]

[11] Patent Number: **Des. 374,098**

Lo

[45] Date of Patent: ****Sep. 24, 1996**

[54] LANTERN

D. 232,756	9/1974	Oakley	D26/41
D. 311,964	11/1990	Wan	D26/40
D. 343,242	1/1994	Poon	D26/42
479,247	7/1892	Cronin	362/172

[75] Inventor: **Ying-Hoi Lo, Kowloon, Hong Kong**

[73] Assignee: **Lomak Industrial Co. Limited, Hong Kong**

[**] Term: **14 Years**

Primary Examiner—A. Hugo Word
Assistant Examiner—Robin V. Taylor
Attorney, Agent, or Firm—Burns, Doane, Swecker & Mathis

[21] Appl. No.: **22,222**

[57] **CLAIM**

[22] Filed: **May 2, 1994**

The ornamental design for a lantern, as shown and described.

[30] **Foreign Application Priority Data**

DESCRIPTION

Nov. 1, 1993 [GB] United Kingdom 2034916

[52] U.S. Cl. **D26/37; D26/42**

[58] Field of Search D26/37-50; 362/136,
362/156-8, 163, 171-3, 178, 181-3, 109,
188-9, 192, 194, 196-7, 200-206, 257,
261-2

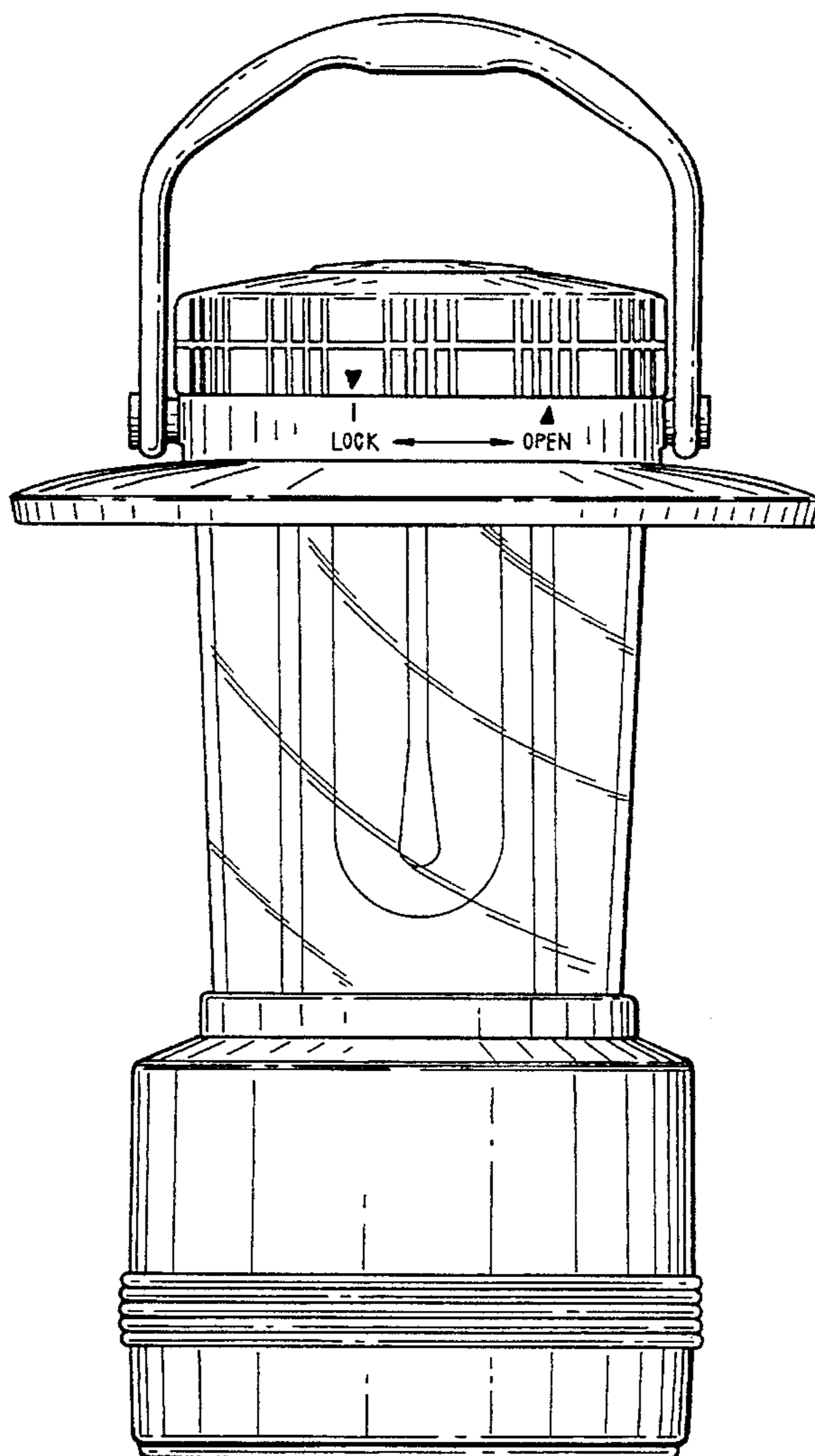
FIG. 1 is the front elevational view of a lantern showing my new design;
FIG. 2 is the left side view thereof;
FIG. 3 is the right side view thereof;
FIG. 4 is the top view thereof;
FIG. 5 is the bottom view thereof; and,
FIG. 6 is a top, front and right side perspective view thereof.

[56] **References Cited**

U.S. PATENT DOCUMENTS

211,040 12/1878 Orphy 362/171

1 Claim, 5 Drawing Sheets



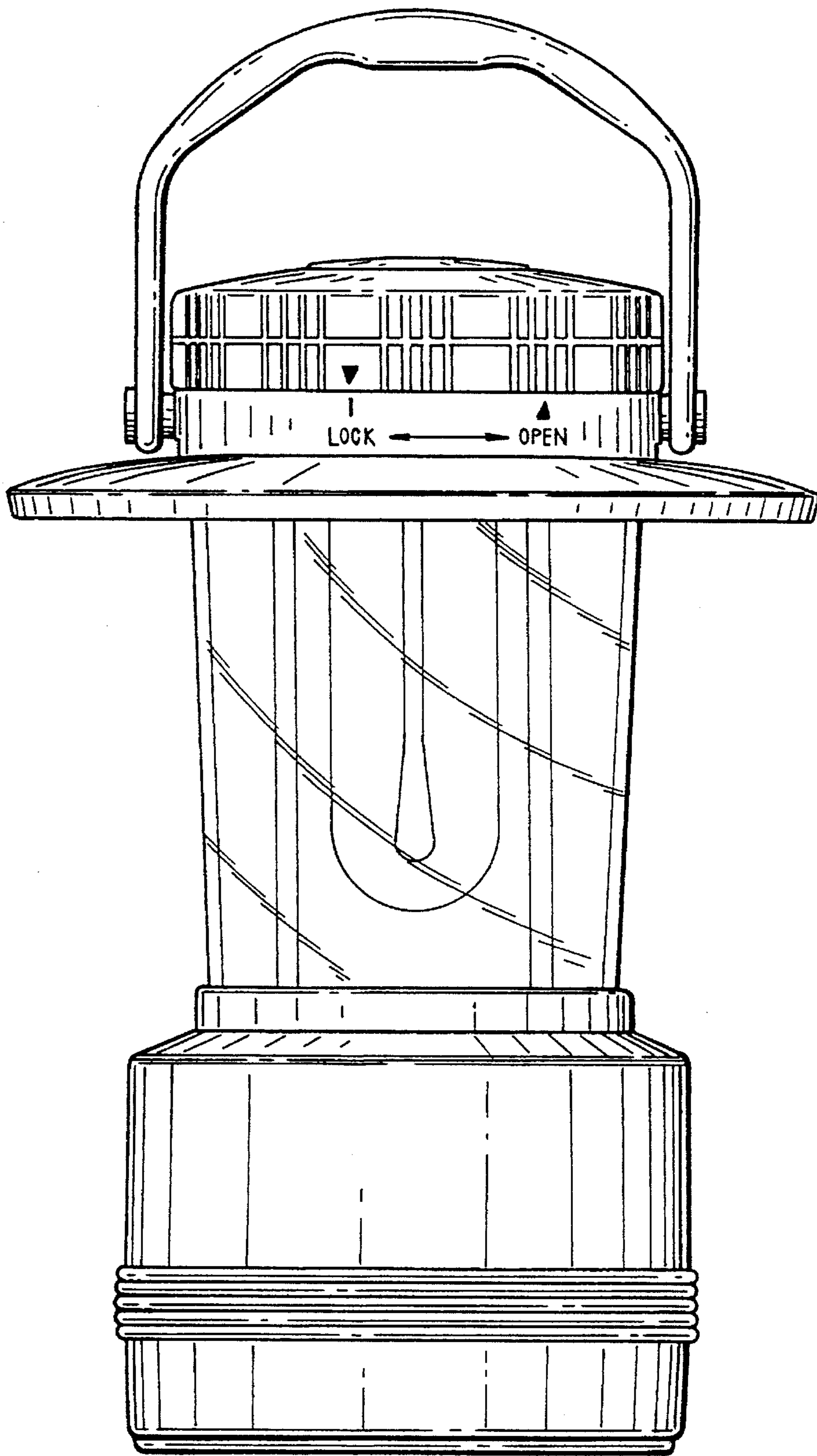


FIG. 1

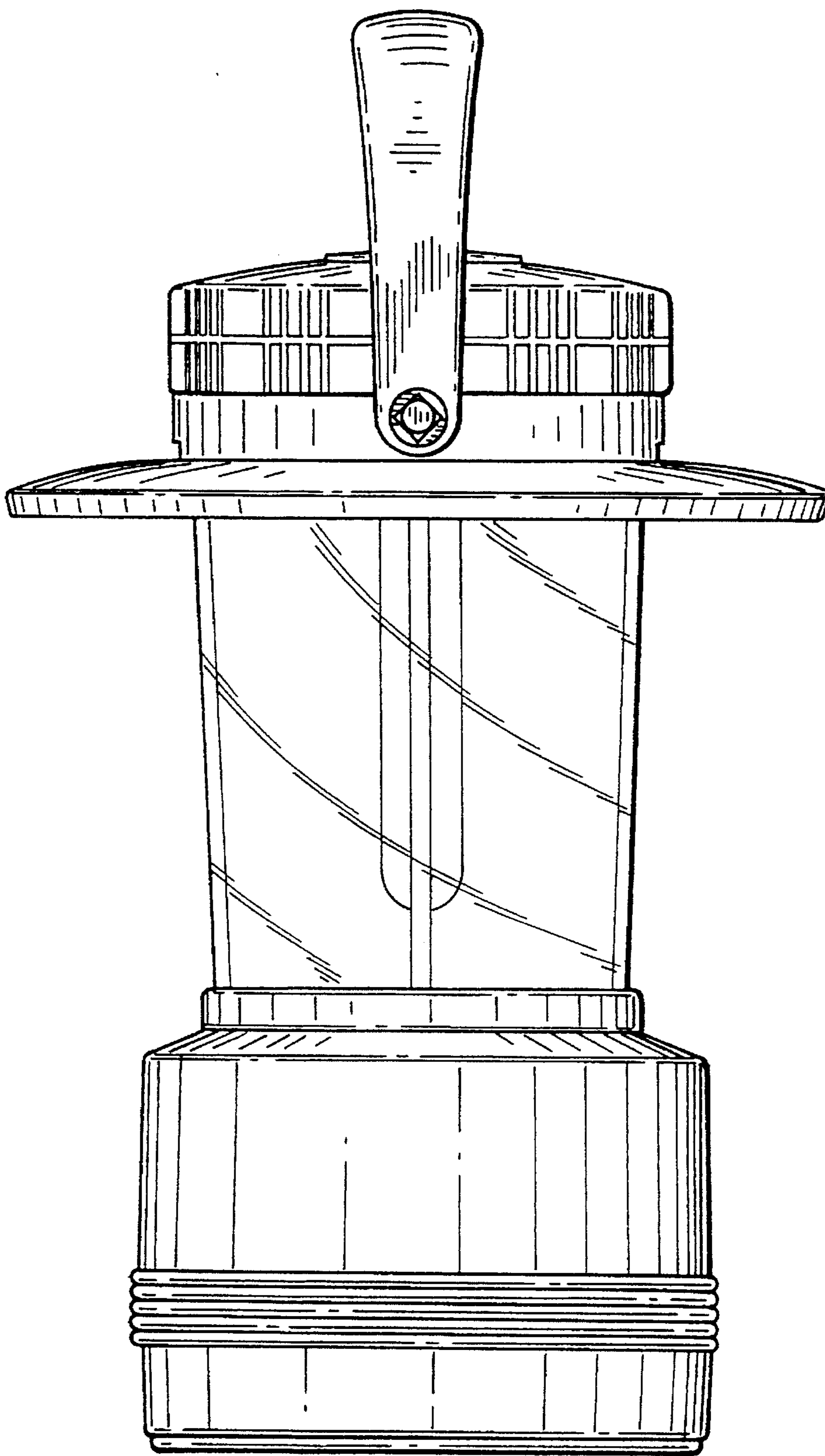


FIG. 2

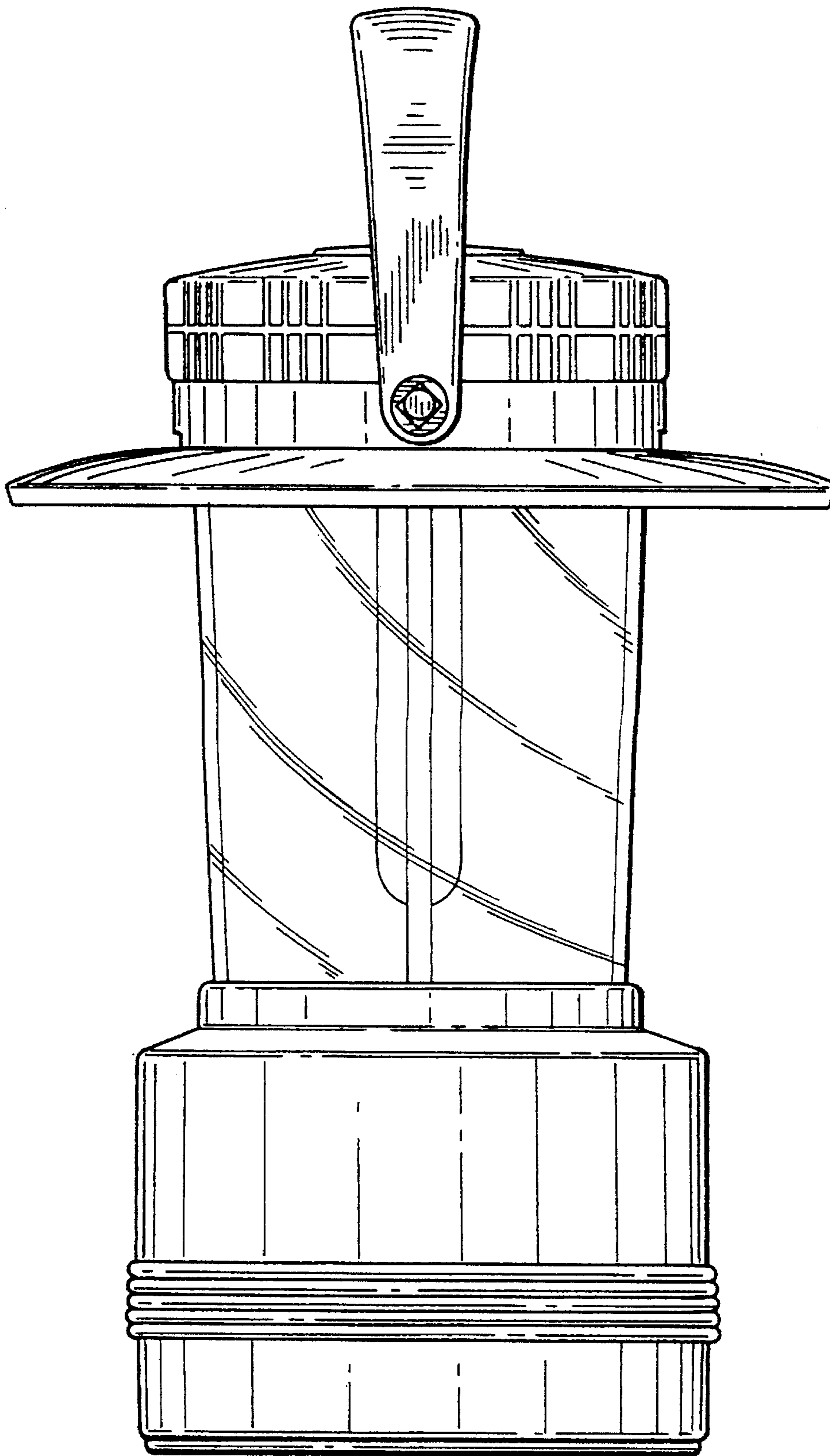


FIG. 3

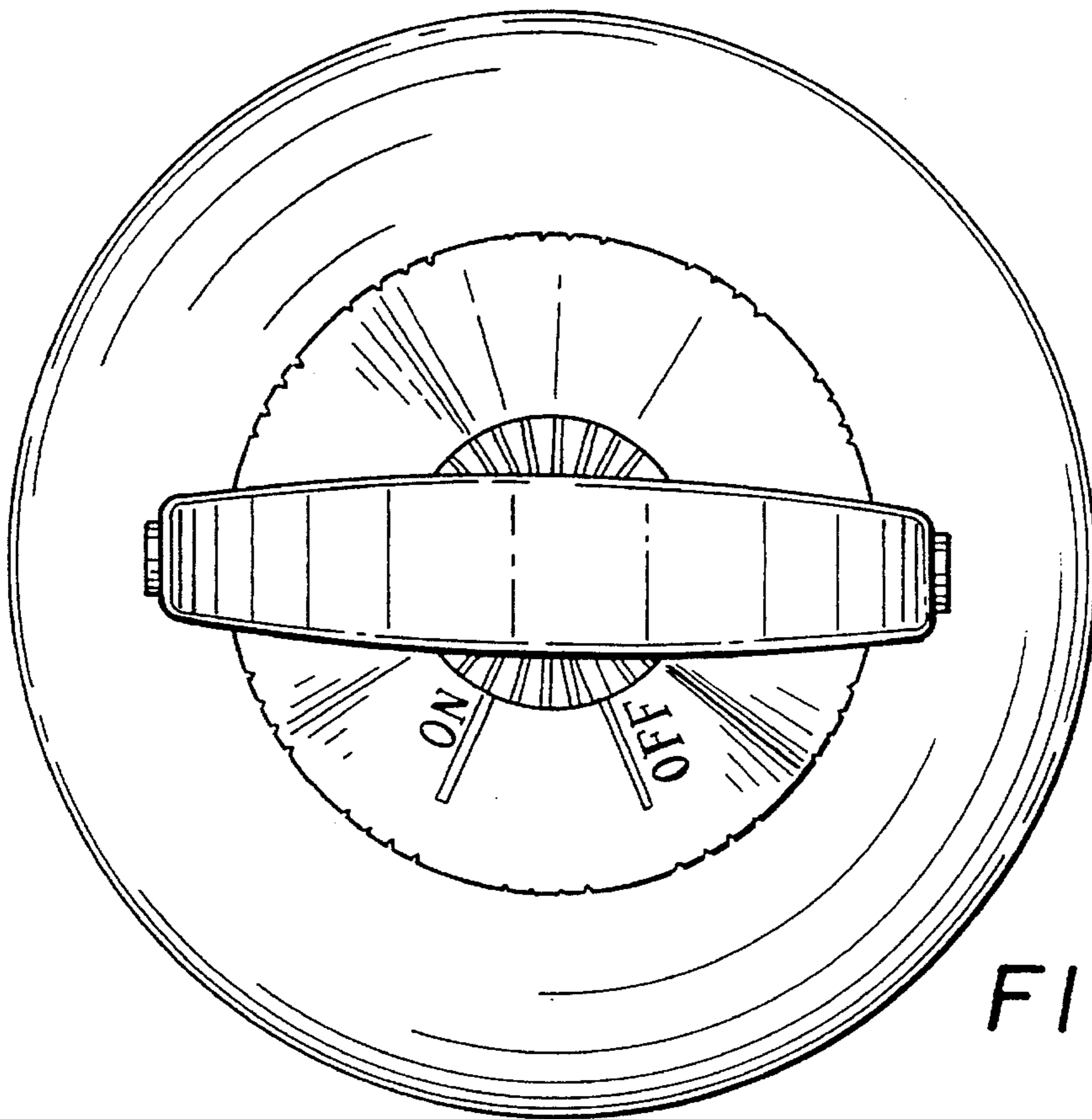


FIG. 4

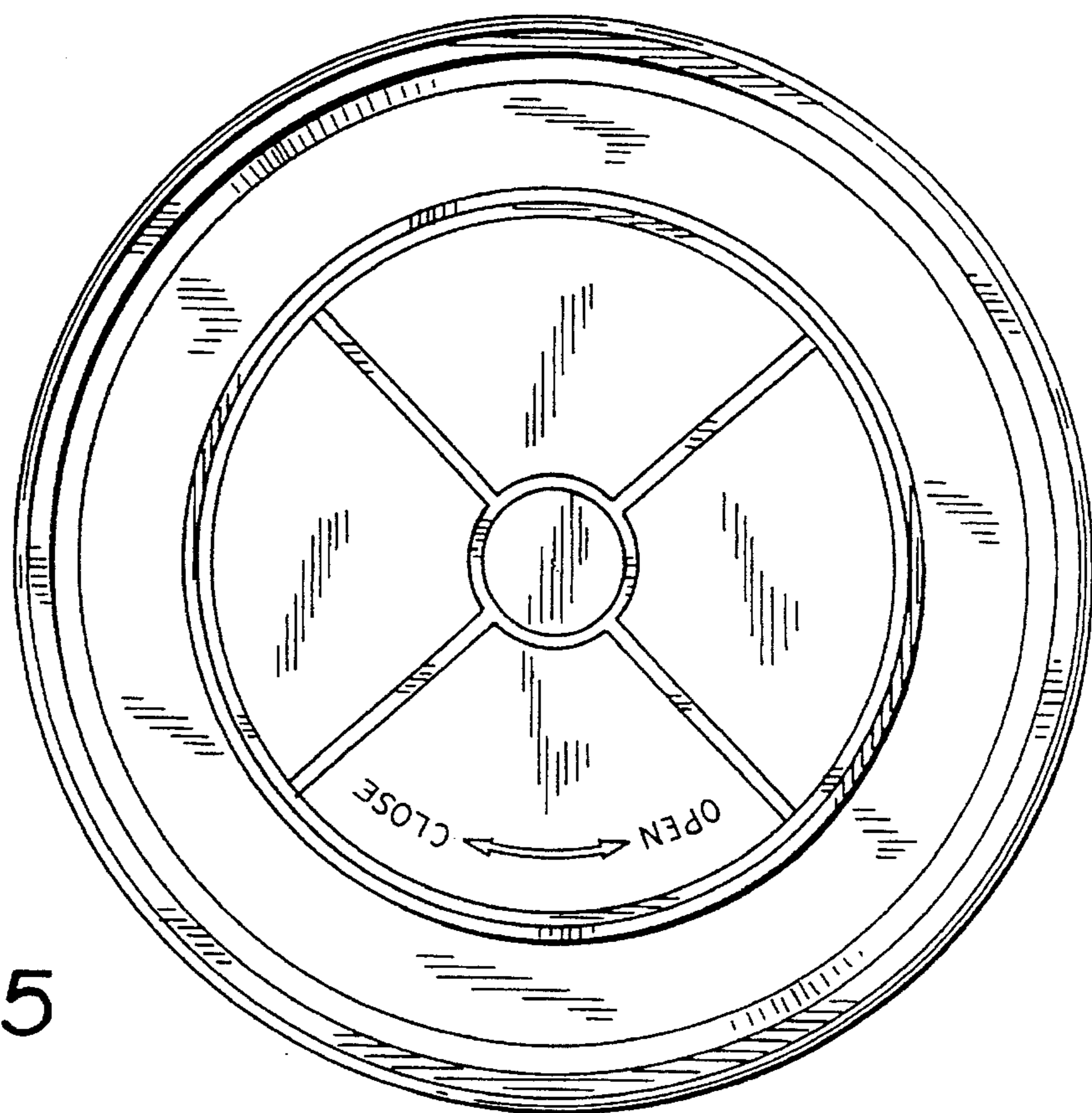


FIG. 5

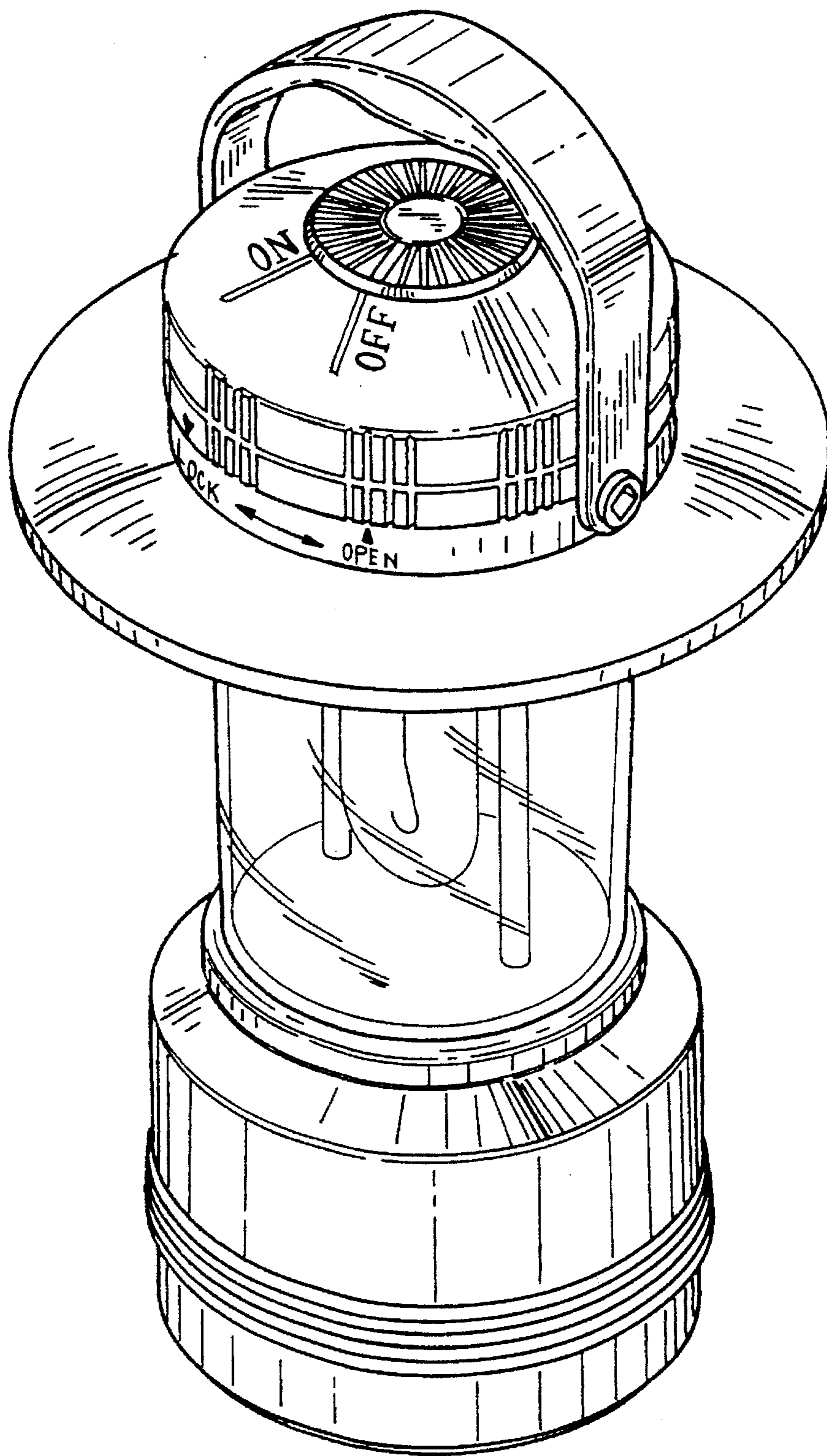


FIG. 6