



US00D374096S

United States Patent [19]

Fischer

[11] Patent Number: **Des. 374,096**

[45] Date of Patent: ****Sep. 24, 1996**

[54] **ADJUSTABLE CURB STAKE**

[76] Inventor: **Leroy C. Fischer**, 3210 Shadow Canyon Cir., Norco, Calif. 91760

[**] Term: **14 Years**

[21] Appl. No.: **26,781**

[22] Filed: **Jul. 8, 1994**

[52] U.S. Cl. **D25/199**

[58] Field of Search D25/102, 138, D25/199; 249/13, 18, 8, 40-46, 5, 183, 190, 191, 213, 214, 216, 217, 219.1, 219.2, 219 R; 404/56, 68, 69

[56] **References Cited**

U.S. PATENT DOCUMENTS

D. 285,006	8/1986	Moulinie et al.	D25/199
D. 354,576	1/1995	Weinig	D25/199
458,915	9/1891	McKelvey .	
1,140,776	5/1915	Teters .	
1,628,316	5/1927	Heltzel .	
2,157,800	5/1939	Ormstead	25/131
2,260,447	10/1941	Forbes	25/118
2,400,852	5/1946	Stevenson	25/131
2,894,307	7/1959	Hogan et al.	24/249
2,894,310	7/1959	Hogan et al.	25/118
2,895,208	7/1959	Paxton	25/131

3,157,098	11/1964	Mason	94/31
3,300,943	1/1967	Owens	249/219.1
3,389,646	6/1968	Ruggles	94/46
4,106,746	8/1978	Baculo	249/216
4,339,106	7/1982	Navarro	249/219 R
4,494,725	1/1985	Sims	249/219 R

FOREIGN PATENT DOCUMENTS

144975	1/1920	United Kingdom	249/219 R
174451	1/1922	United Kingdom	249/219 R

Primary Examiner—Marcus A. Jackson
Attorney, Agent, or Firm—Stetina Brunda & Buyan

[57] **CLAIM**

The ornamental design for an adjustable curb stake, as shown and described.

DESCRIPTION

FIG. 1 is a top perspective view of a adjustable curb stake showing my new design;
FIG. 2 is a bottom perspective view thereof;
FIG. 3 is a side view thereof;
FIG. 4 is a side elevational view thereof, with the right portion shown separately for clarity of illustration only; and,
FIG. 5 is a side elevational view thereof, with the left portion shown separately for clarity of illustration only.

1 Claim, 2 Drawing Sheets

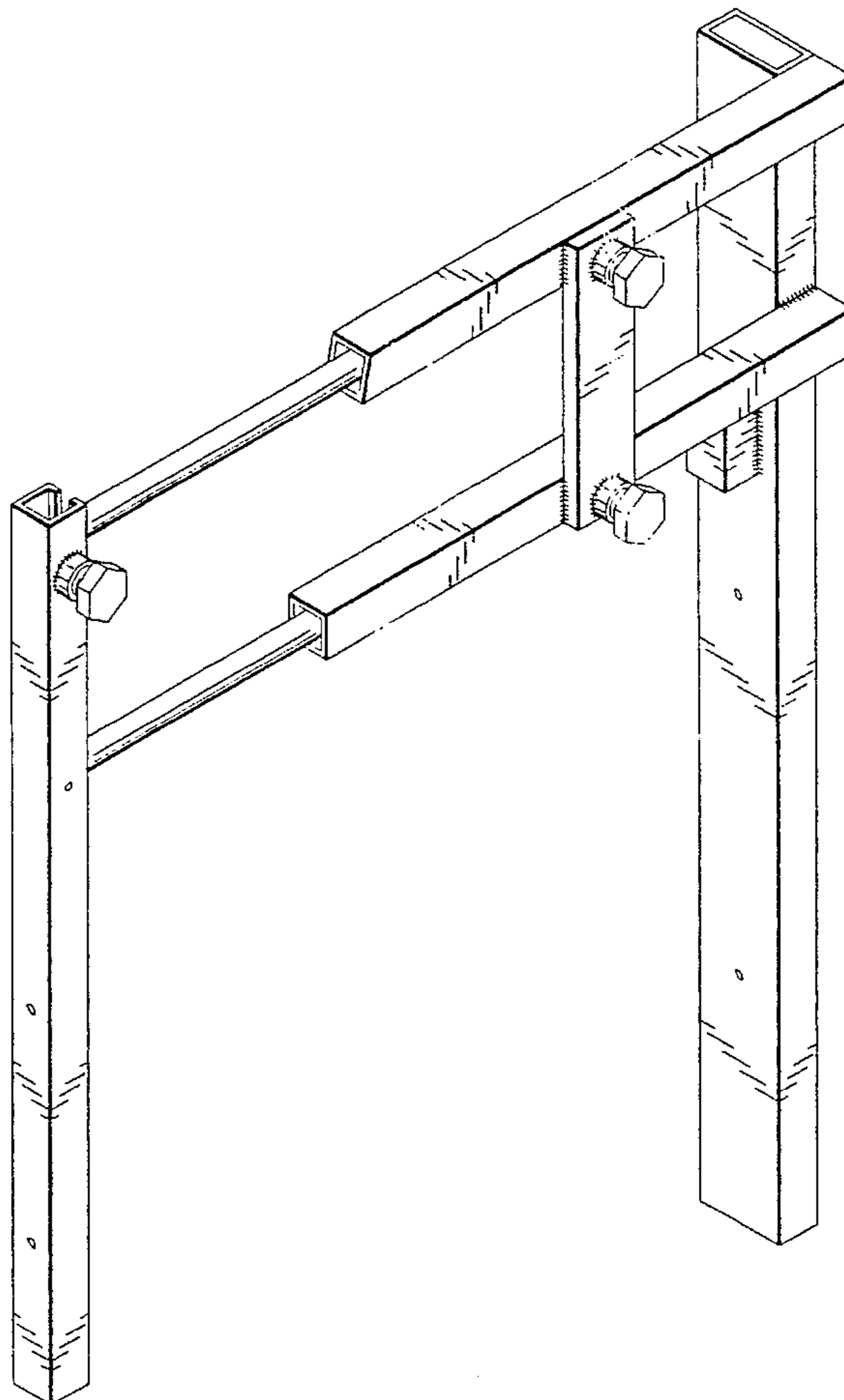


FIG. 1

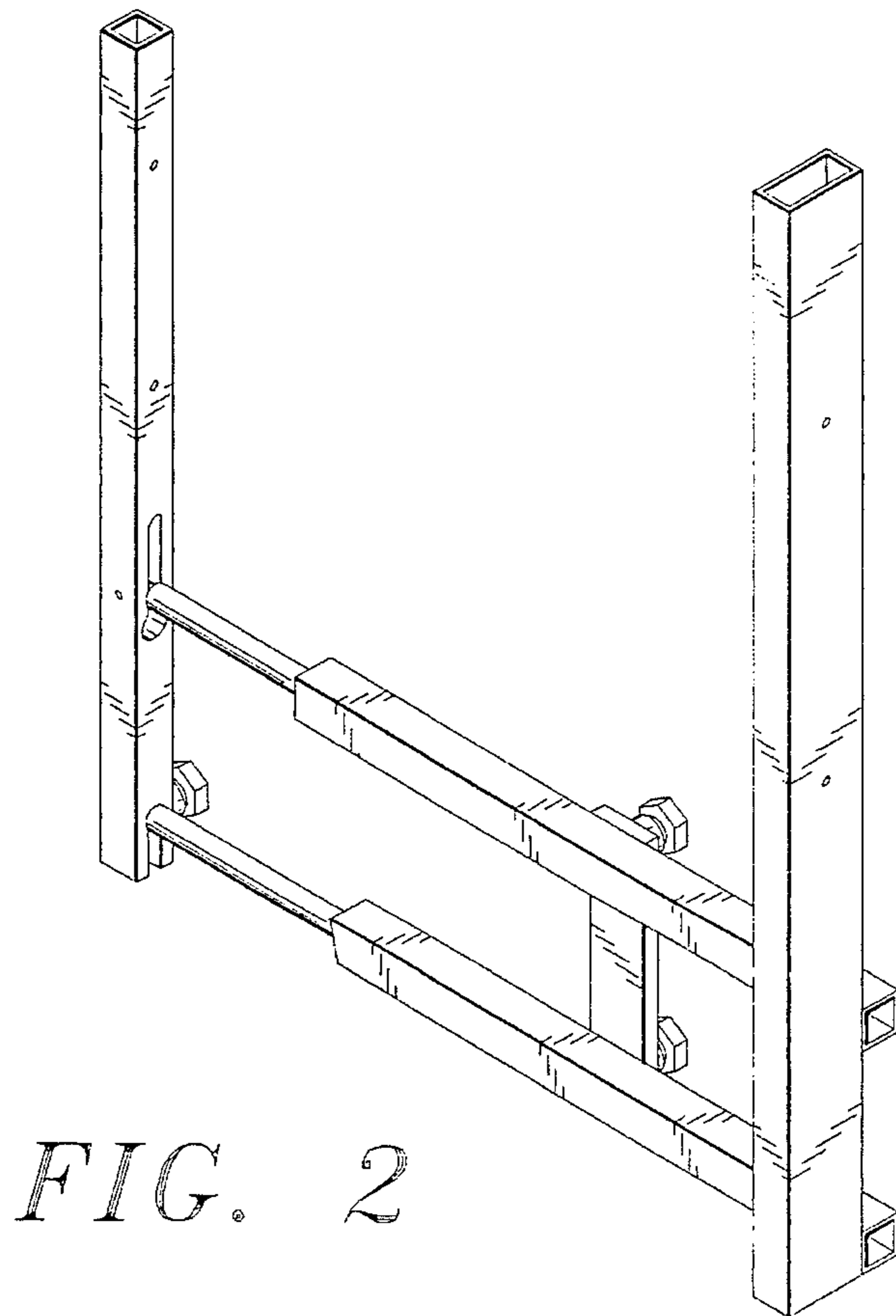
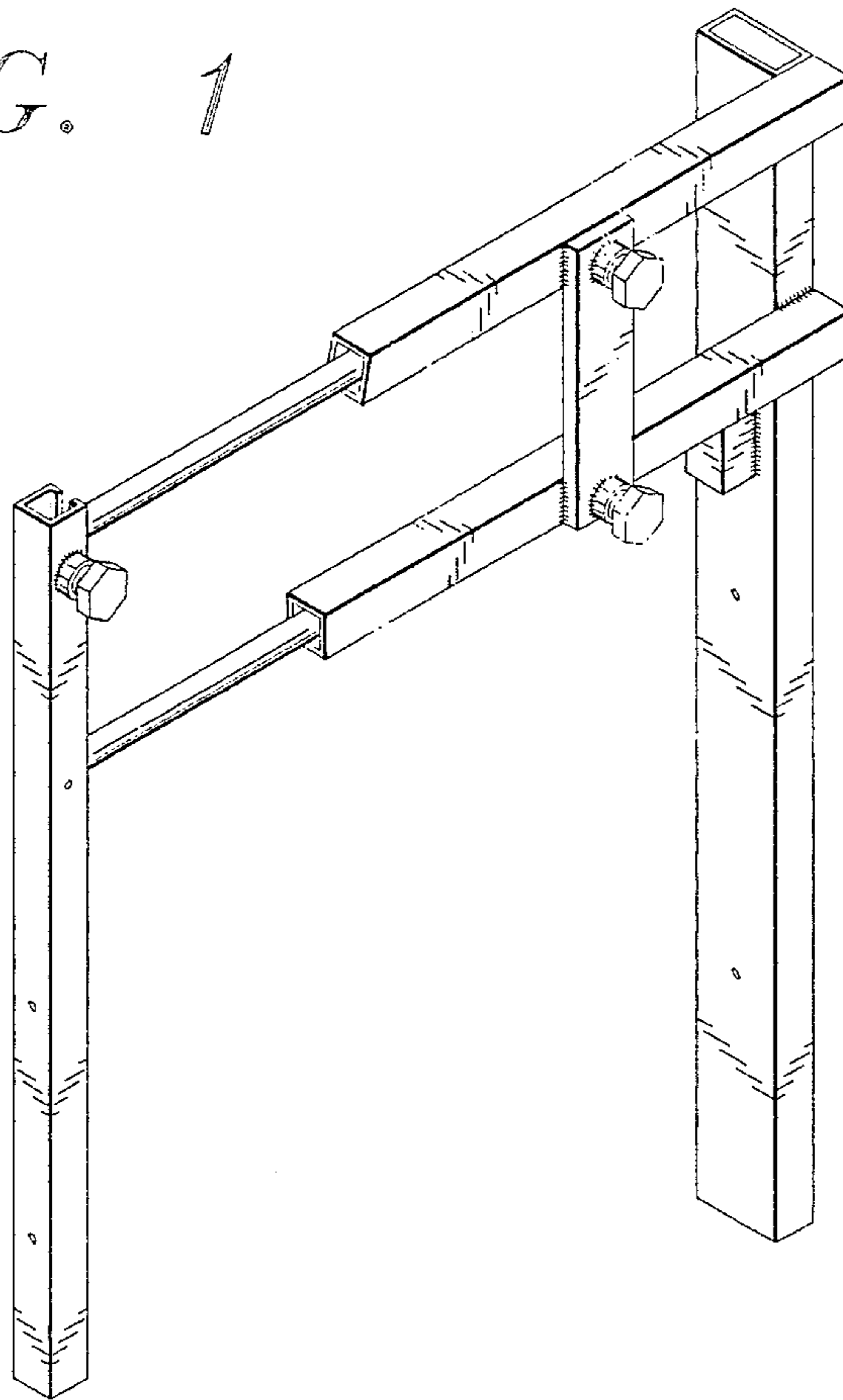


FIG. 2

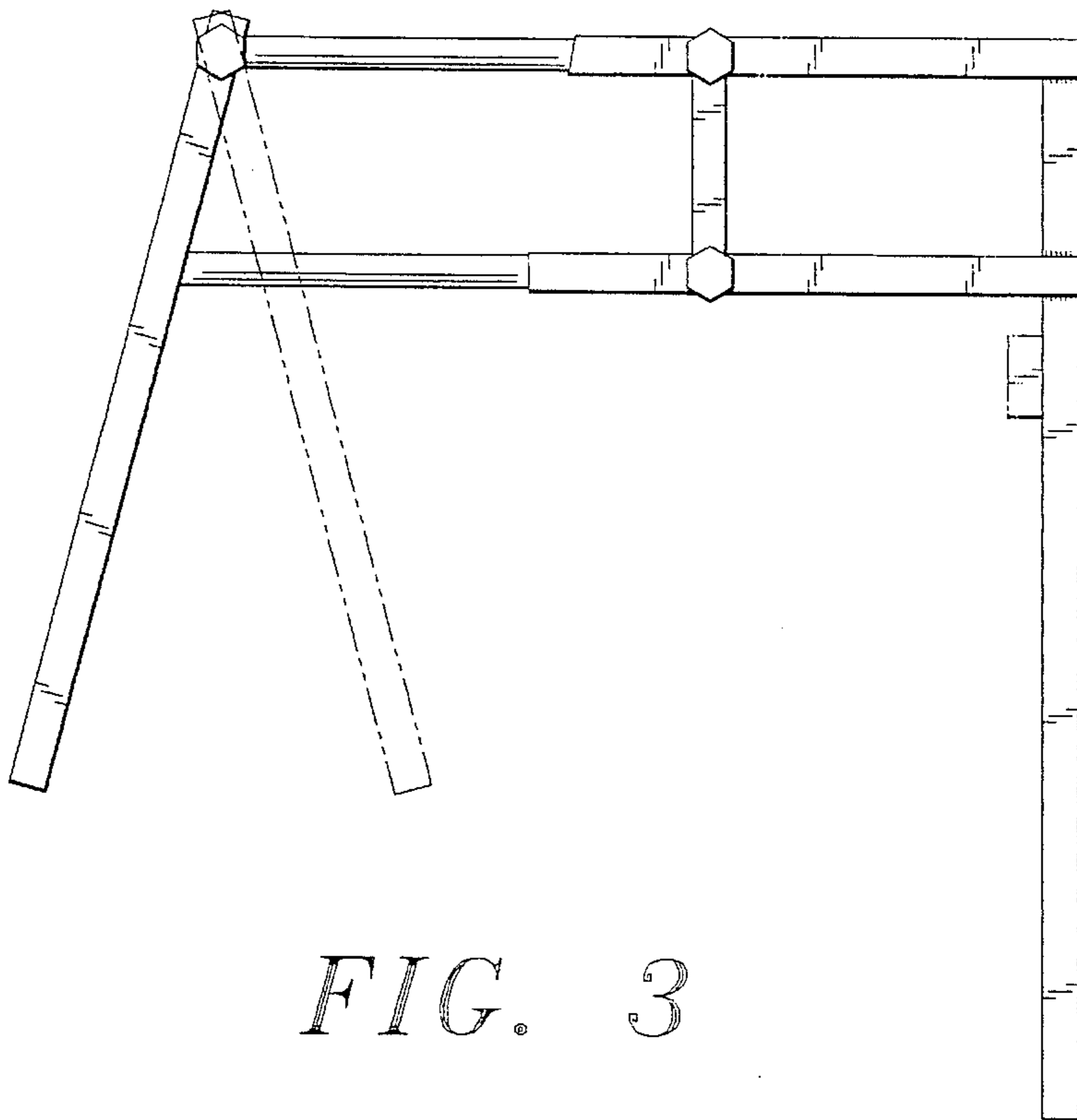


FIG. 3

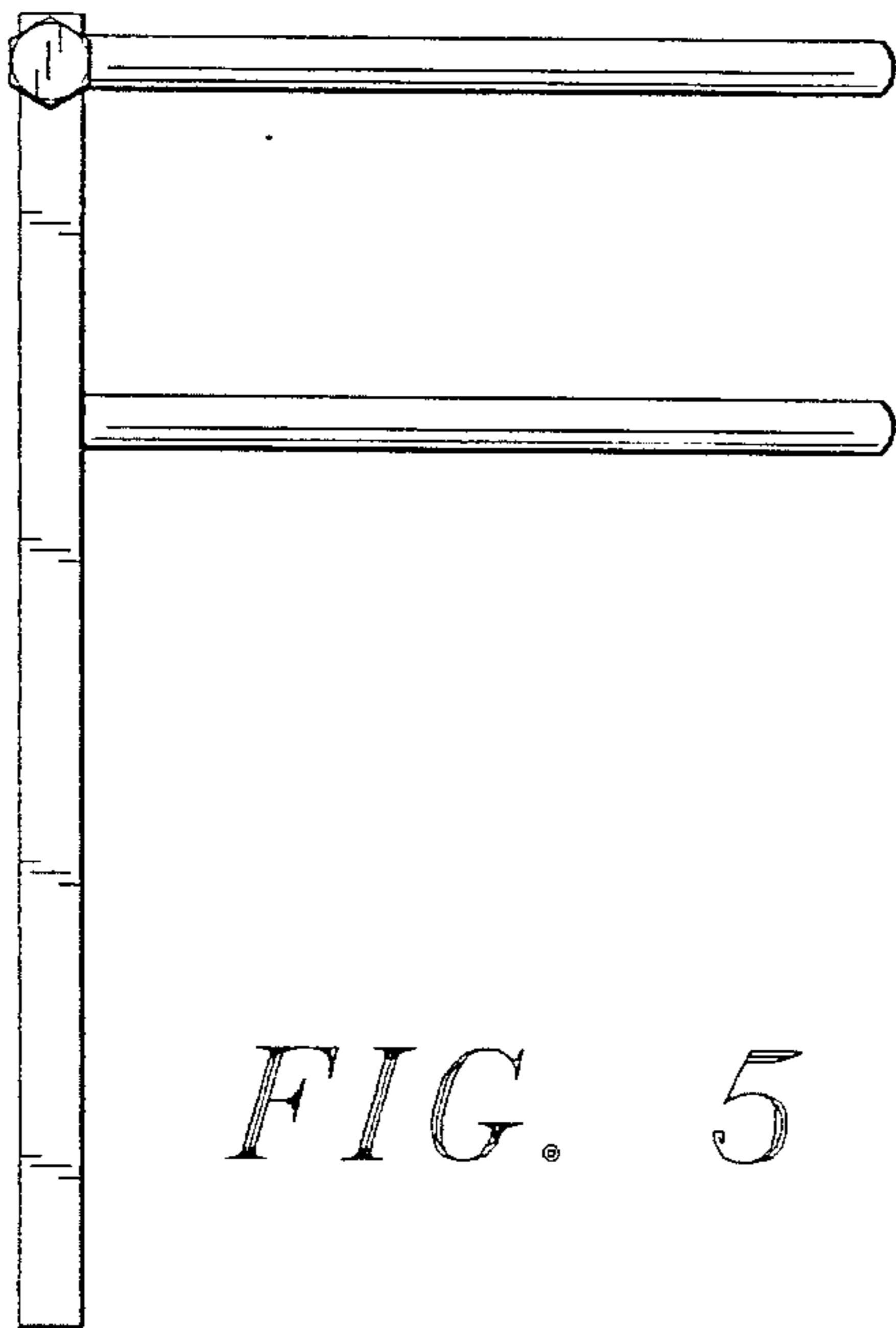


FIG. 5

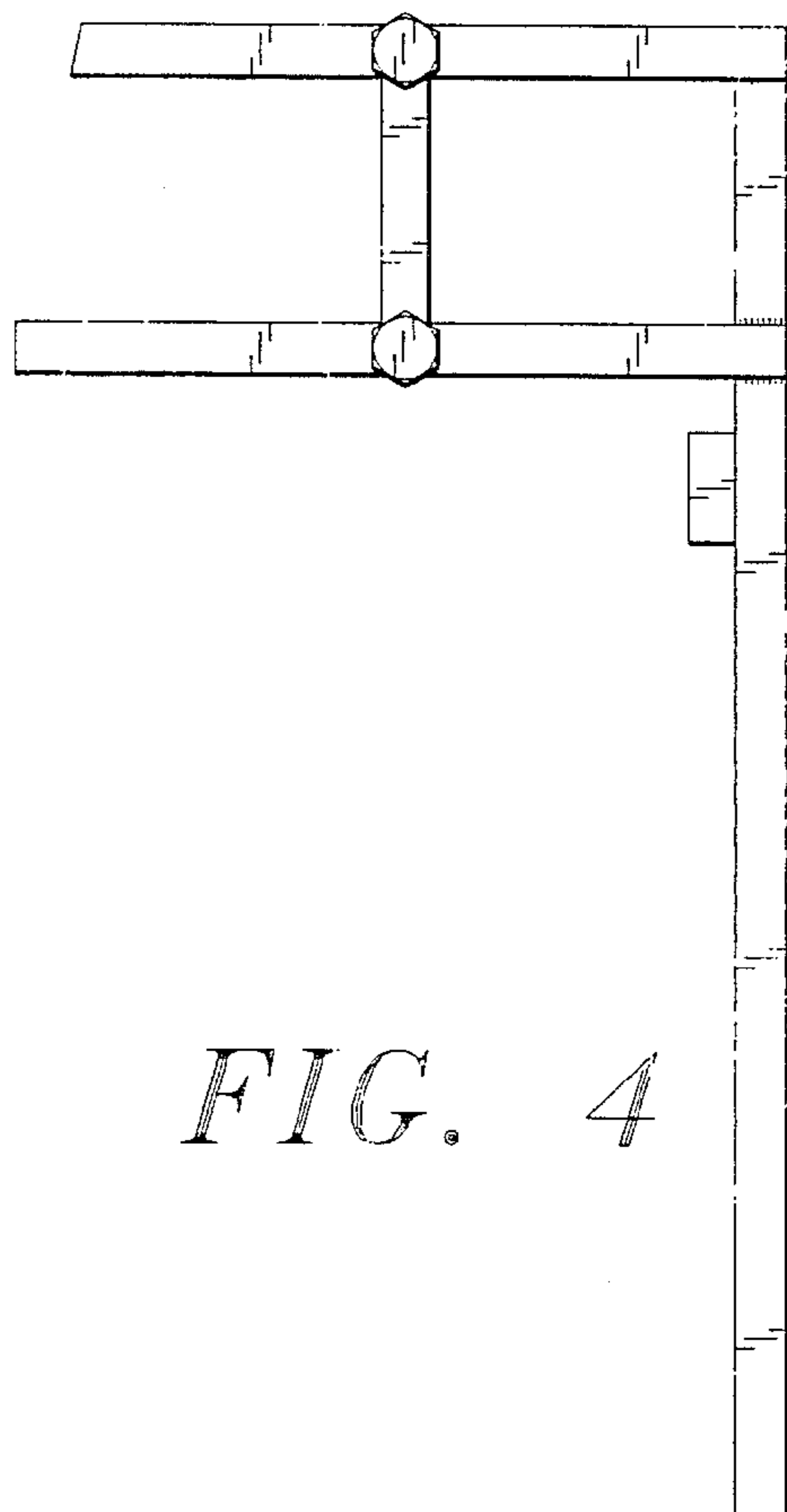


FIG. 4