



US00D374095S

# United States Patent [19] Ing

[11] Patent Number: **Des. 374,095**

[45] Date of Patent: **\*\*Sep. 24, 1996**

[54] **ROOFING TILE**  
[75] Inventor: **Luke Y. C. Ing**, Singapore, Singapore  
[73] Assignee: **Besalon International Limited**, Hong Kong, Hong Kong  
[\*\*] Term: **14 Years**

1,158,268 10/1915 Overbury et al. .... 52/537  
1,676,043 7/1928 Olsson ..... 52/536  
1,714,800 5/1929 Minnec ..... 52/537  
4,003,176 1/1977 Shumway ..... 52/539  
4,444,037 4/1984 Norgate .  
4,729,202 3/1988 Ferland ..... D25/140

*Primary Examiner*—Doris Clark  
*Attorney, Agent, or Firm*—Jacobson, Price, Holman & Stern, PLLC

[21] Appl. No.: **592,072**

[22] Filed: **Oct. 3, 1990**

### [30] Foreign Application Priority Data

Apr. 3, 1990 [NZ] New Zealand ..... 23185

[52] U.S. Cl. .... **D25/140**

[58] Field of Search ..... D25/140-141,  
D25/139; 52/535-537, 554-558, 314, 539;  
428/147, 151

### [56] References Cited

#### U.S. PATENT DOCUMENTS

D. 49,171 6/1916 Annis ..... D25/140  
D. 273,233 3/1984 Norgate .  
D. 302,859 8/1989 Kero ..... D25/141

### [57] CLAIM

The ornamental design for a roofing tile, as shown.

### DESCRIPTION

FIG. 1 is a top plan view of a roofing tile showing my new design;  
FIG. 2 is a front elevational view thereof;  
FIG. 3 is a right side elevational view thereof;  
FIG. 4 is a perspective view thereof;  
FIG. 5 is a bottom plan view thereof;  
FIG. 6 is a rear elevational view thereof; and,  
FIG. 7 is a left side elevational view thereof.

**1 Claim, 2 Drawing Sheets**

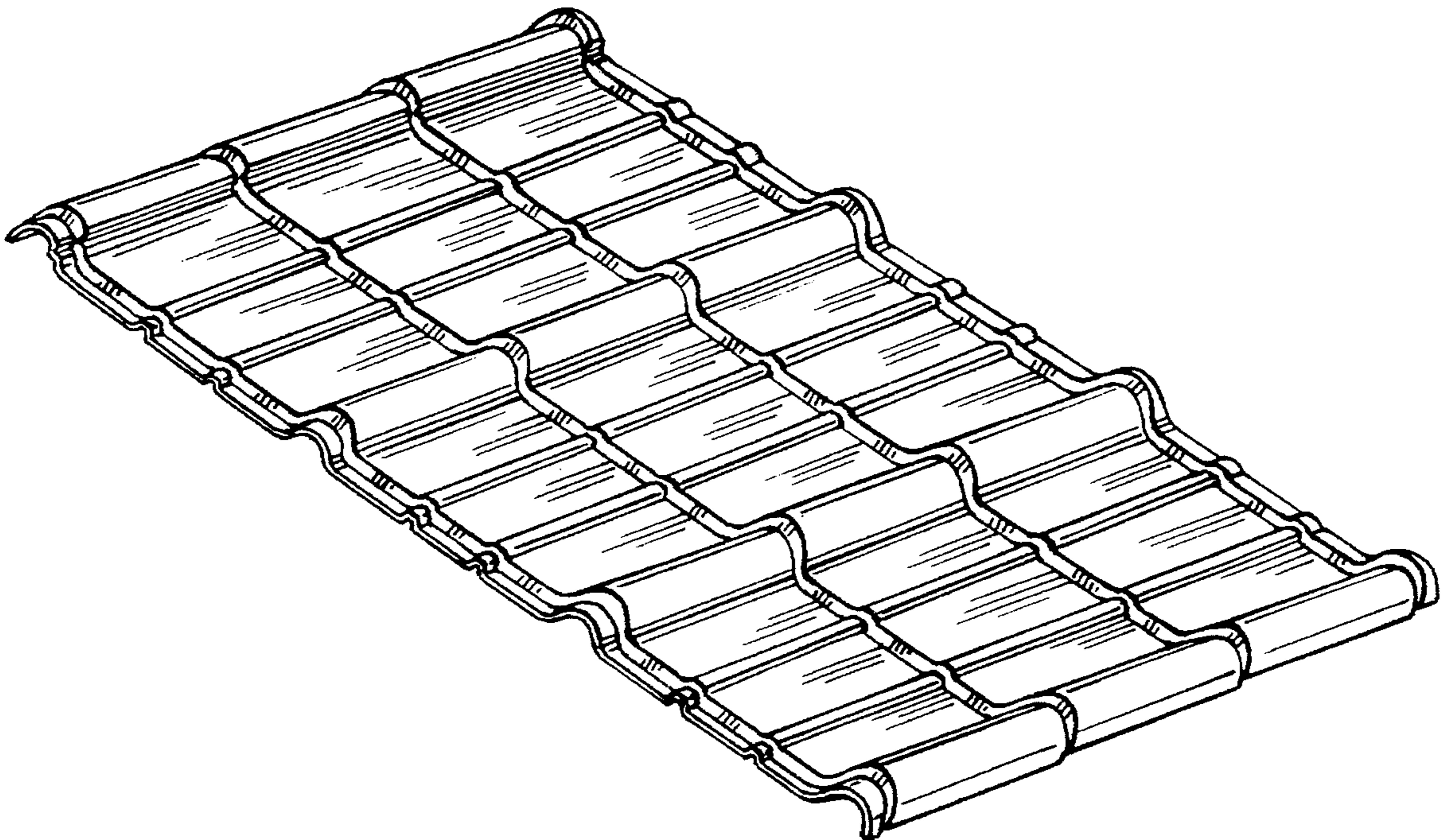


FIG. 1

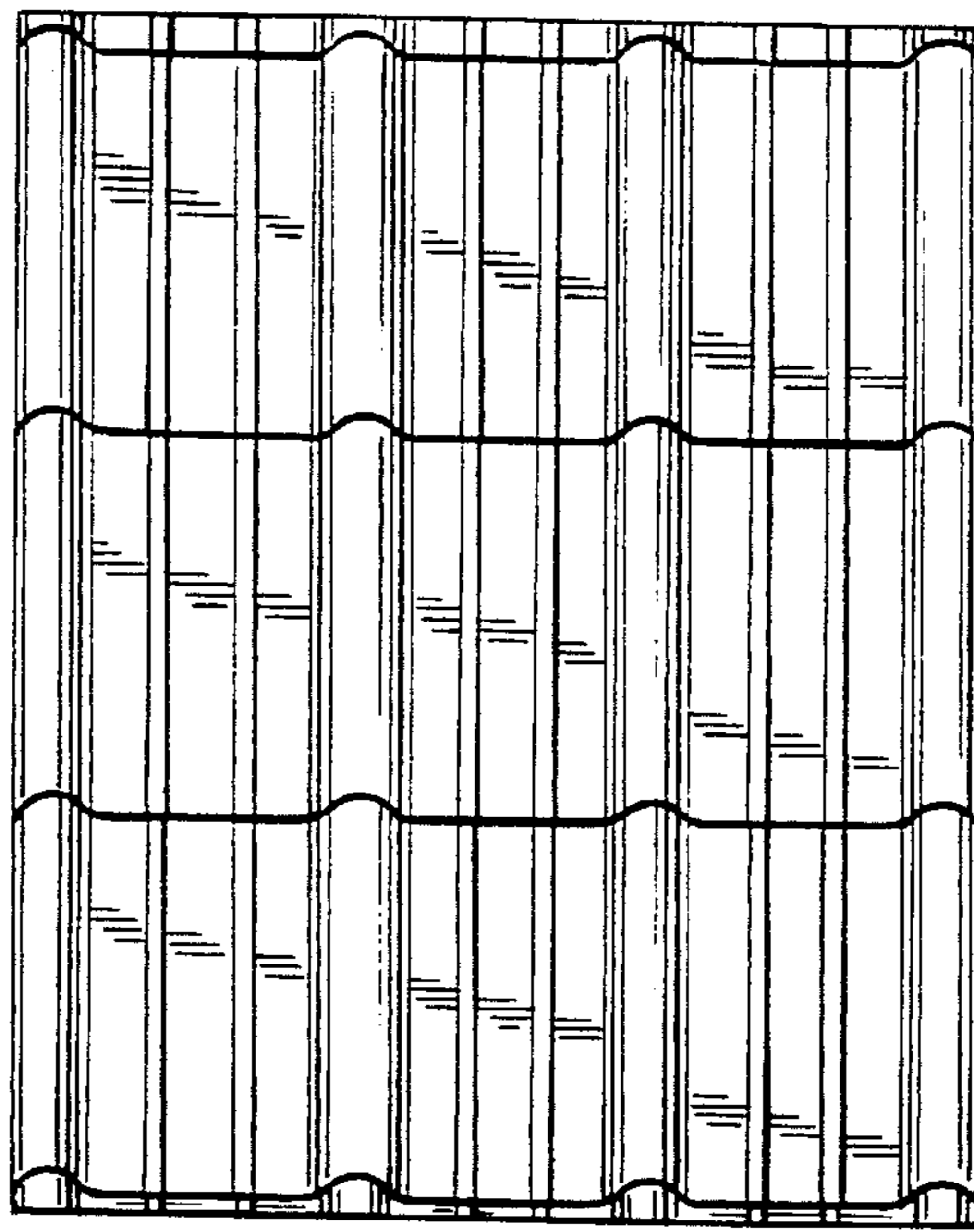


FIG. 2

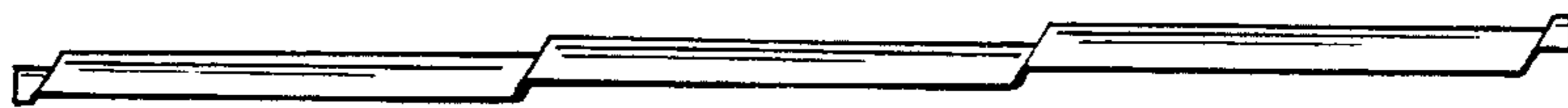


FIG. 3

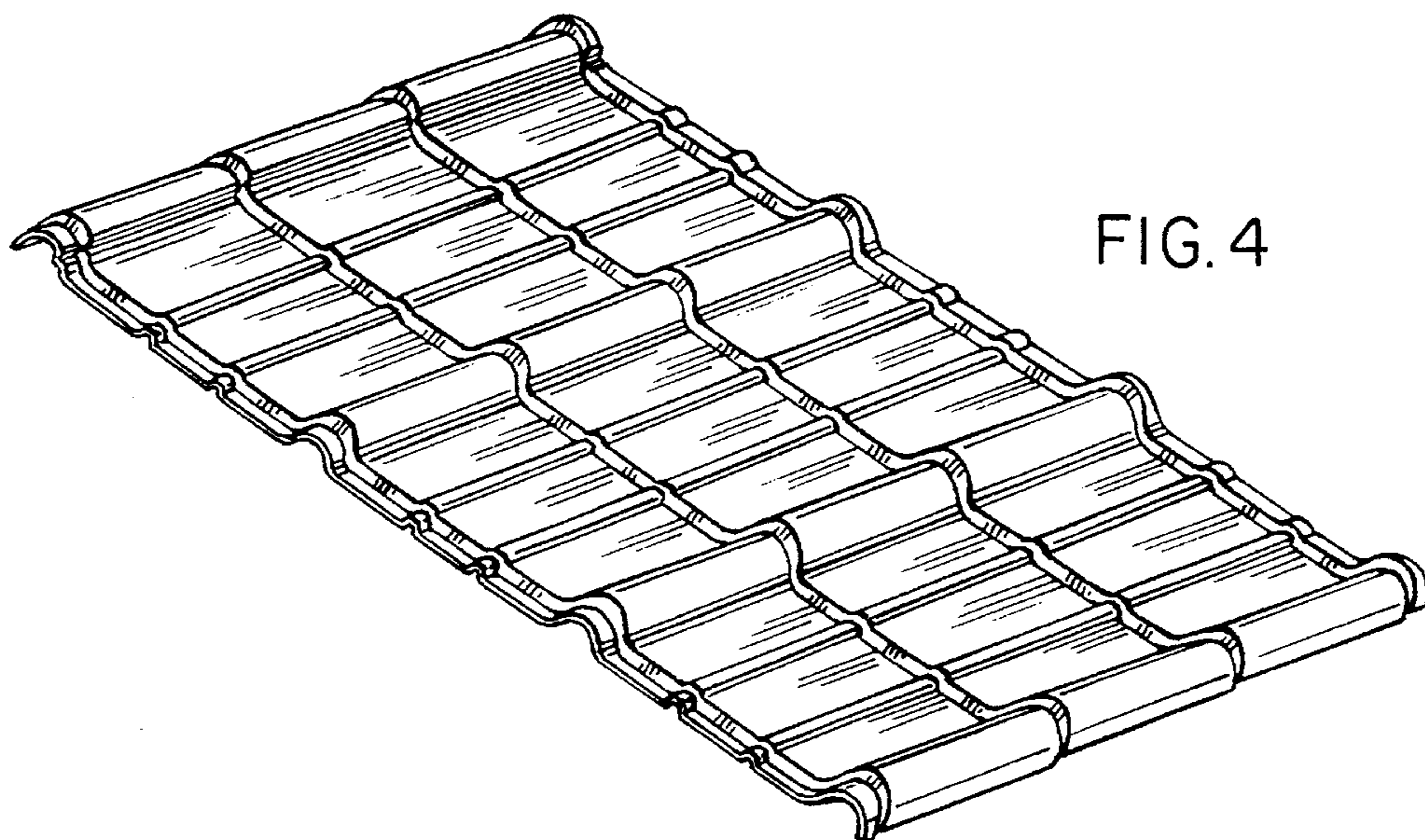


FIG. 4

FIG. 5

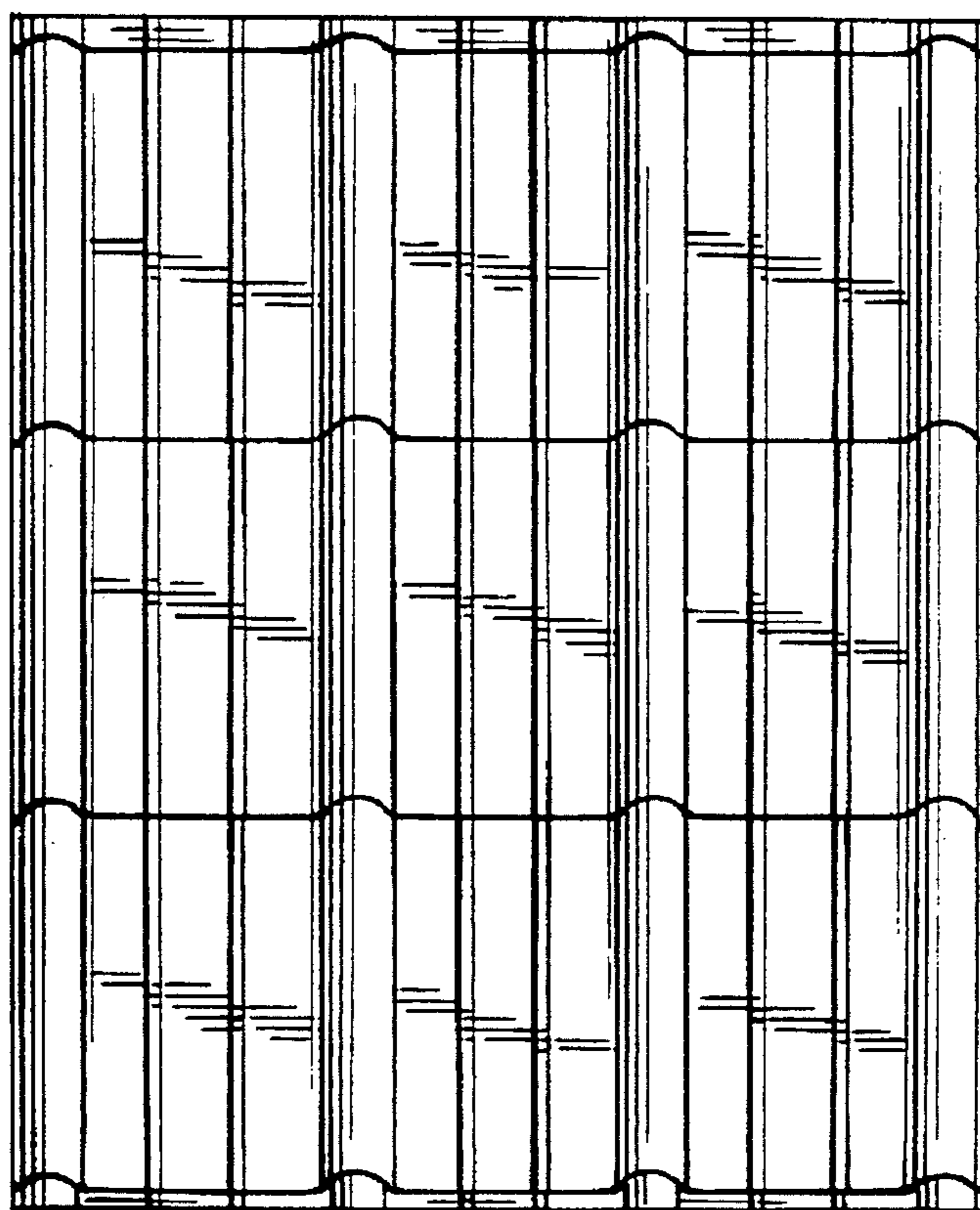


FIG. 6

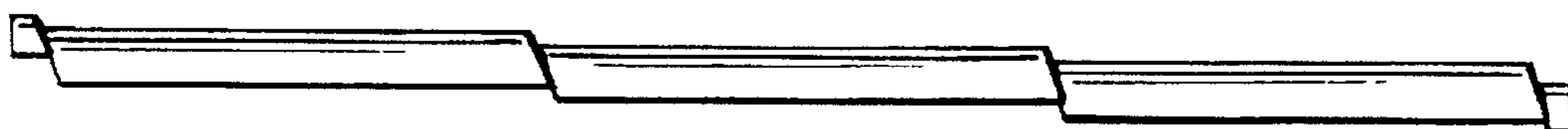


FIG. 7