



US00D374094S

United States Patent [19]
Hart

[11] **Patent Number: Des. 374,094**

[45] **Date of Patent: **Sep. 24, 1996**

[54] **WINDOW JAMB**

D. 344,597 2/1994 Bancroft D25/124

[75] Inventor: **Keith Hart**, Newmarket, Canada

Primary Examiner—Doris Clark

[73] Assignee: **Majestic Plastics Ltd.**, Weston, Canada

[57] **CLAIM**

[**] Term: **14 Years**

The ornamental design for a window jamb, as shown and described.

[21] Appl. No.: **45,579**

DESCRIPTION

[22] Filed: **Oct. 24, 1995**

[52] U.S. Cl. **D25/124**

[58] **Field of Search** D24/52, 48, 122-125;
49/504, 505, DIG. 2; 52/204.5, 730.3, 730.4,
730.5

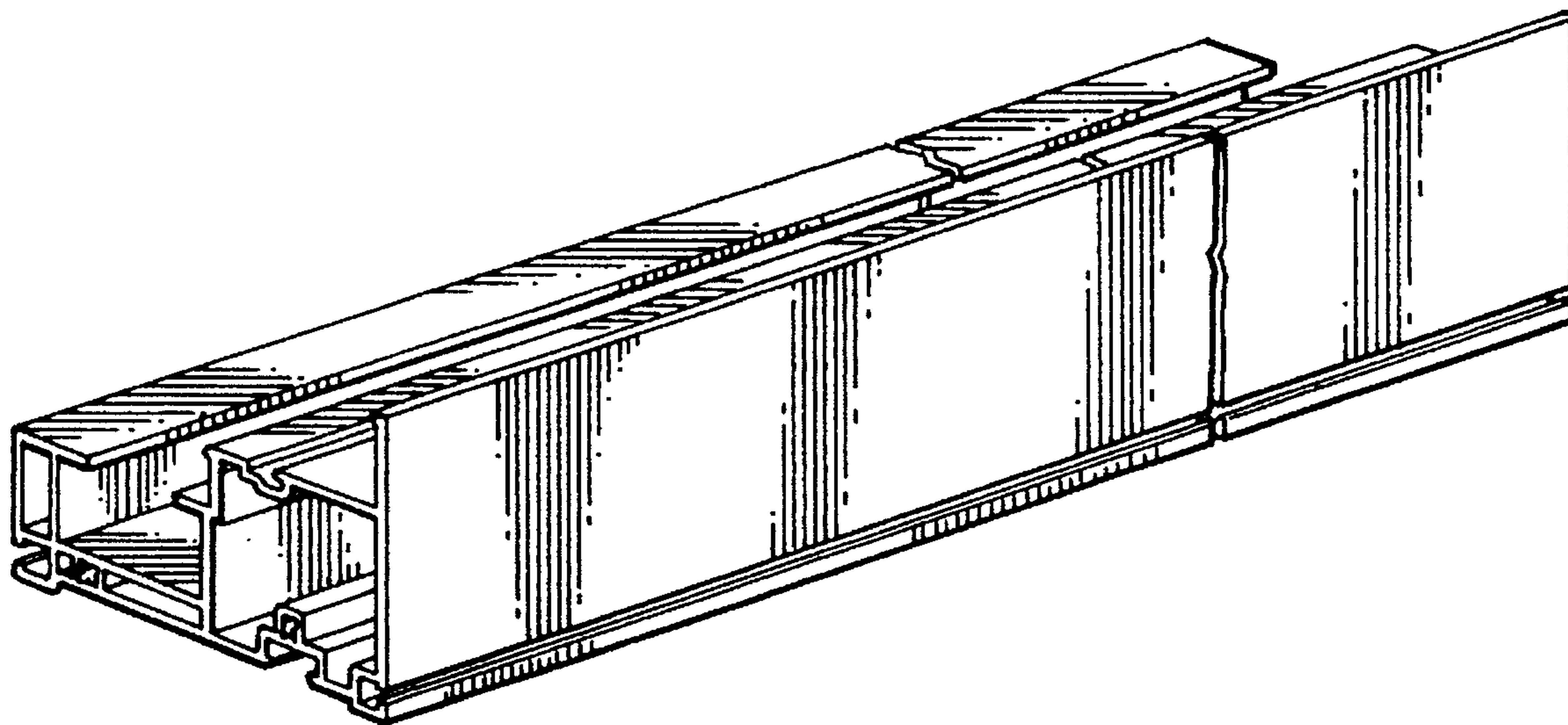
FIG. 1 is a perspective view looking down on the window jamb;
FIG. 2 is an end view of the window jamb;
FIG. 3 is a top view of the window jamb;
FIG. 4 is a rear view of the window jamb;
FIG. 5 is a front view of the window jamb; and,
FIG. 6 is a bottom view of the window jamb.
The window jamb is broken in the center to indicate indeterminate length.

[56] **References Cited**

U.S. PATENT DOCUMENTS

- D. 313,860 1/1991 Slocomb, Jr. D25/124
- D. 335,714 5/1993 Slocomb D25/124

1 Claim, 1 Drawing Sheet



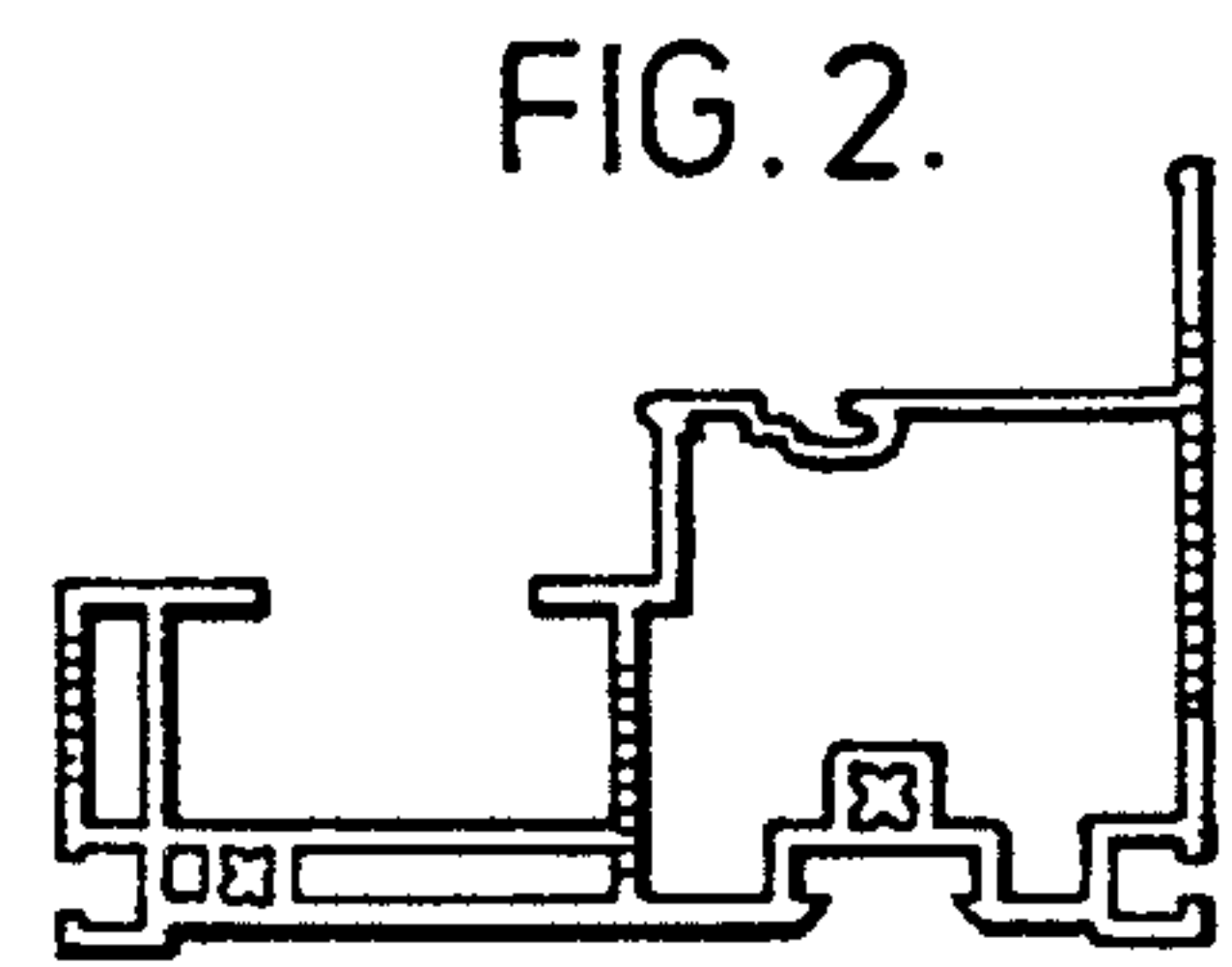
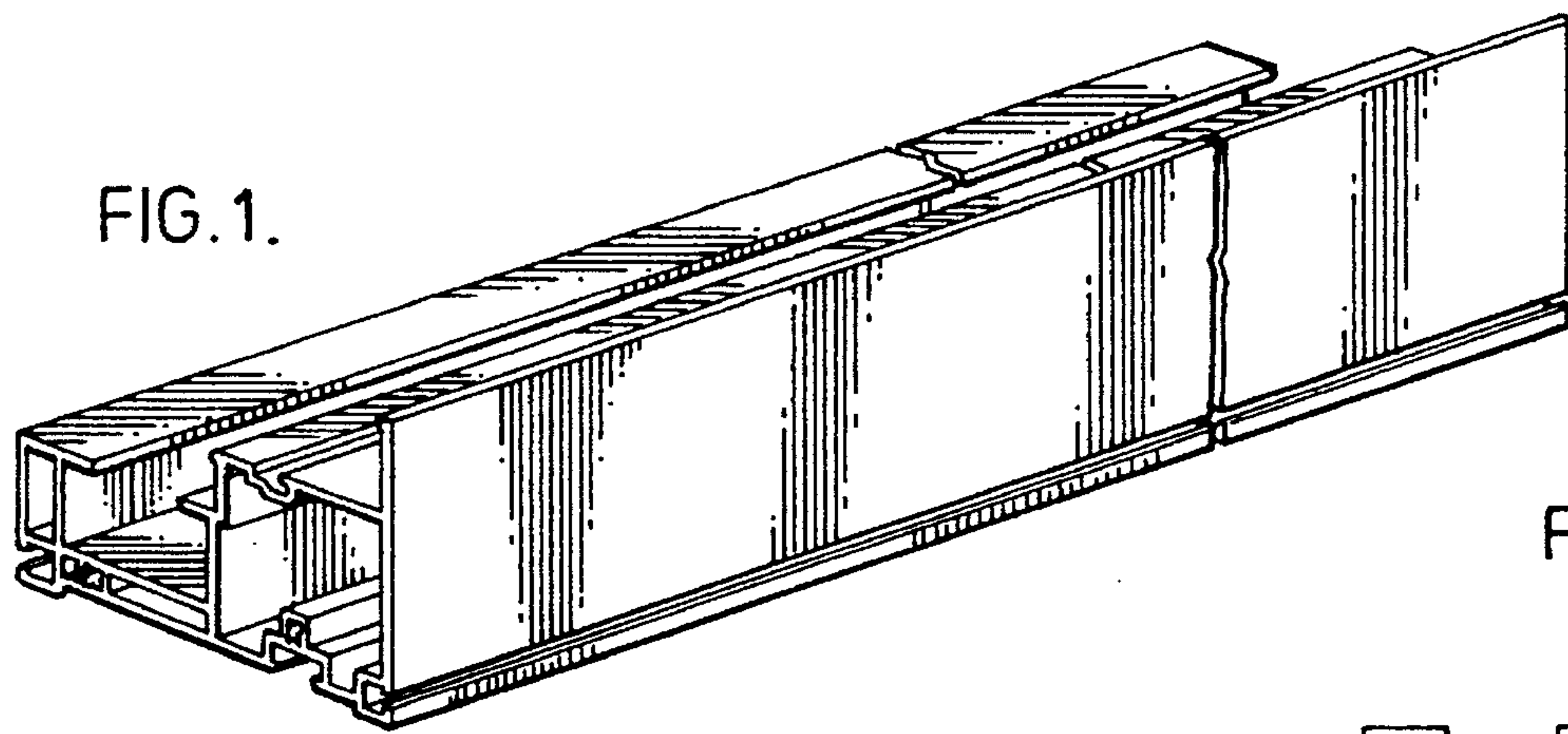


FIG. 3.

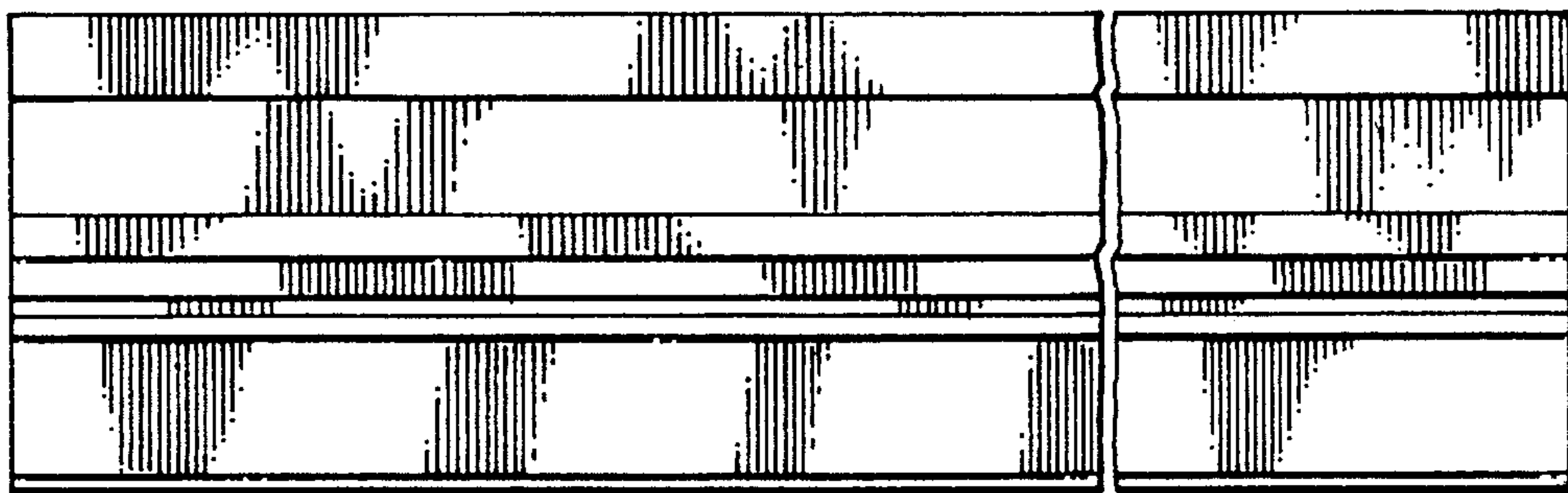


FIG. 4.

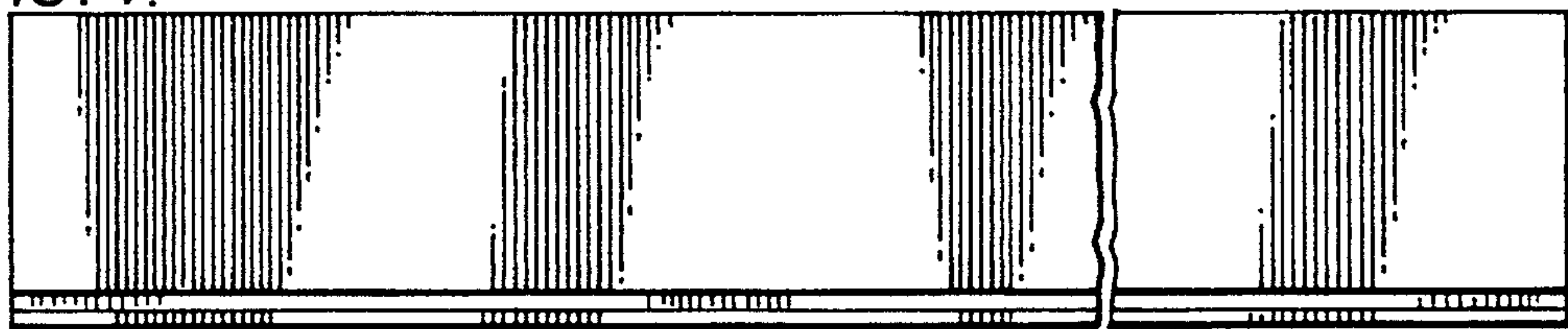


FIG. 5.

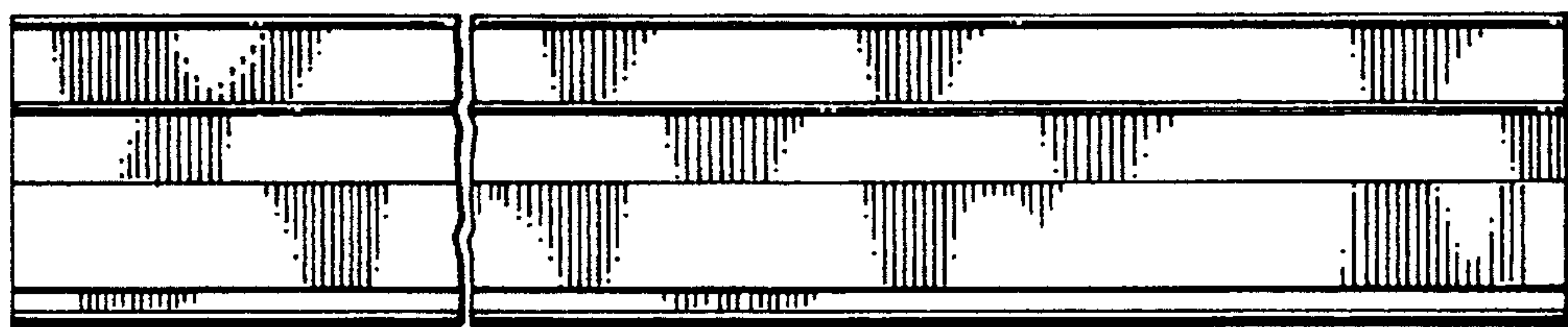


FIG. 6.

