



US00D374093S

United States Patent [19]
Hart

[11] **Patent Number:** **Des. 374,093**

[45] **Date of Patent:** ****Sep. 24, 1996**

[54] **WINDOW SILL**

D. 299,970 2/1989 Hardy D25/124

[75] Inventor: **Keith Hart**, Newmarket, Canada

Primary Examiner—Doris Clark

[73] Assignee: **Majestic Plastics Ltd.**, Weston, Canada

[57] **CLAIM**

[**] Term: **14 Years**

The ornamental design for a window sill, as shown and described.

[21] Appl. No.: **45,578**

DESCRIPTION

[22] Filed: **Oct. 24, 1995**

[52] U.S. Cl. **D25/124**

[58] Field of Search D25/48, 52, 122-125;
49/504, 505, DIG. 2; 52/204.5, 730.3, 730.4,
730.5

FIG. 1 is a perspective view looking down on the window sill;

FIG. 2 is an end view of the window sill;

FIG. 3 is a top view of the window sill;

FIG. 4 is a rear view of the window sill;

FIG. 5 is a front view of the window sill; and,

FIG. 6 is a bottom view of the window sill.

The window sill is broken in the center to indicate indeterminate length.

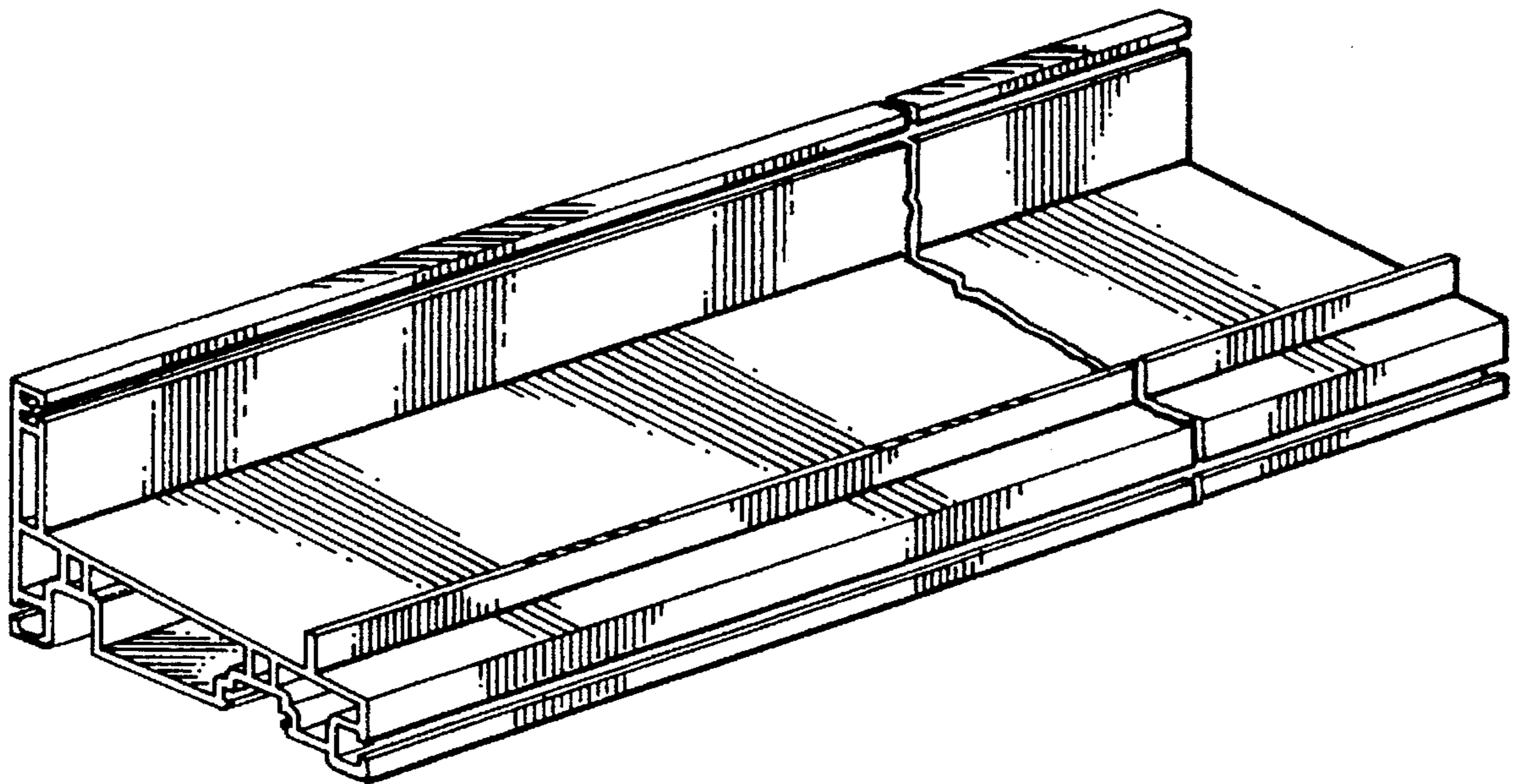
[56] **References Cited**

U.S. PATENT DOCUMENTS

D. 283,349 4/1986 Slocomb, Jr. D25/122

D. 285,610 9/1986 Slocomb, Jr. D25/124

1 Claim, 1 Drawing Sheet



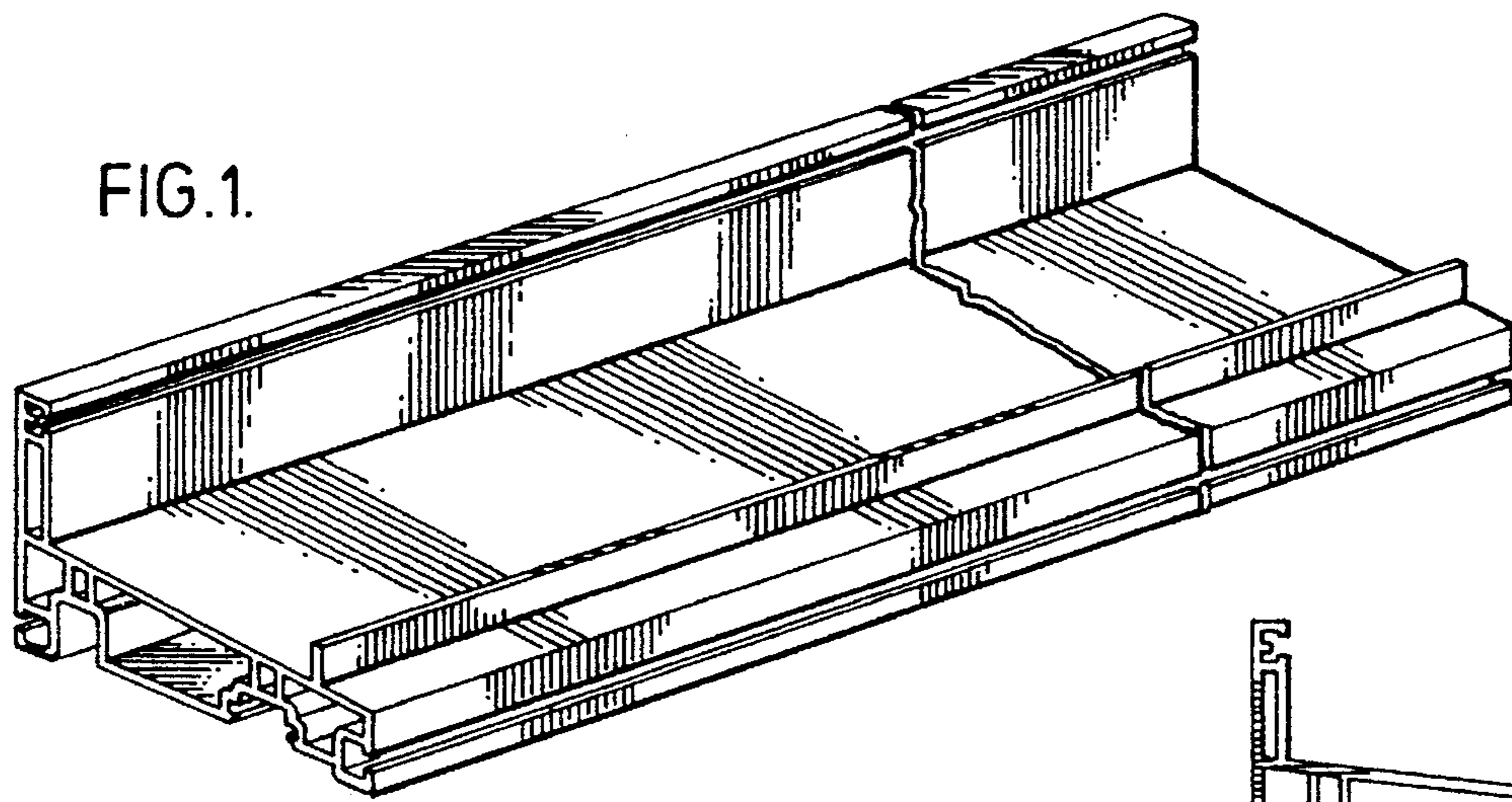


FIG. 2.

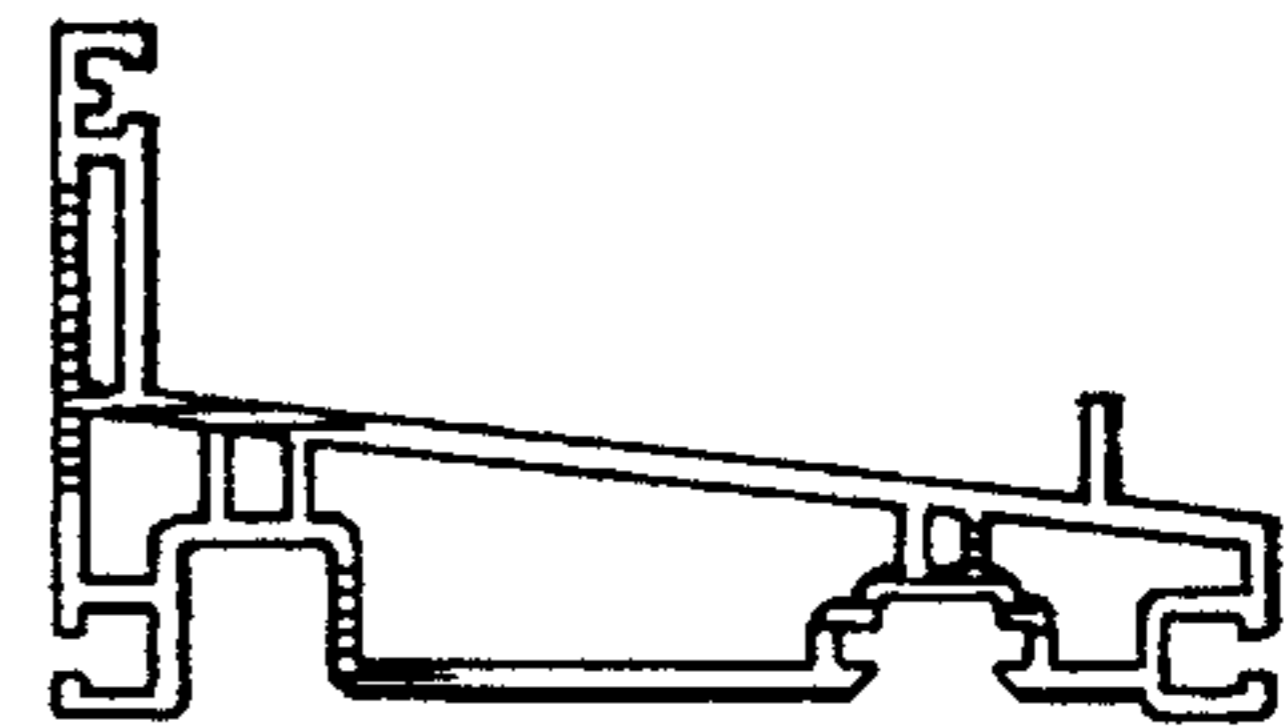


FIG. 3.

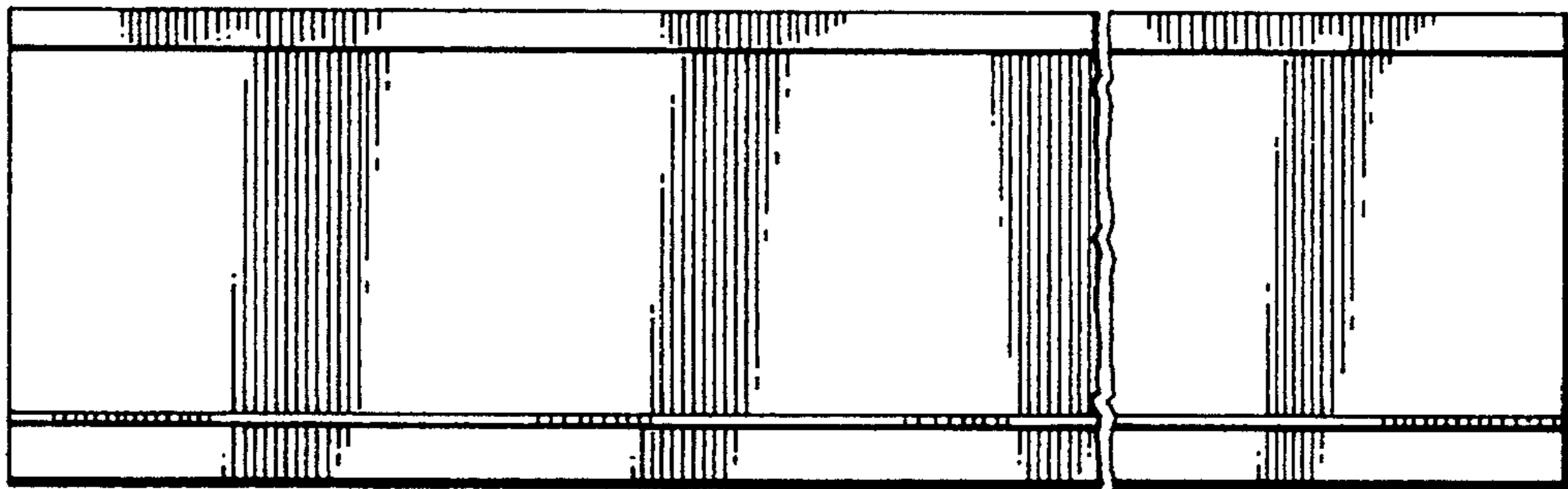


FIG. 4.

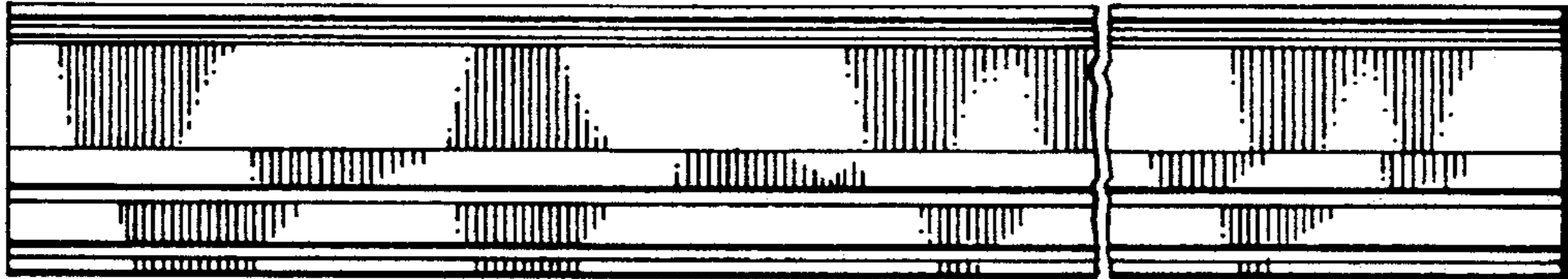


FIG. 5.

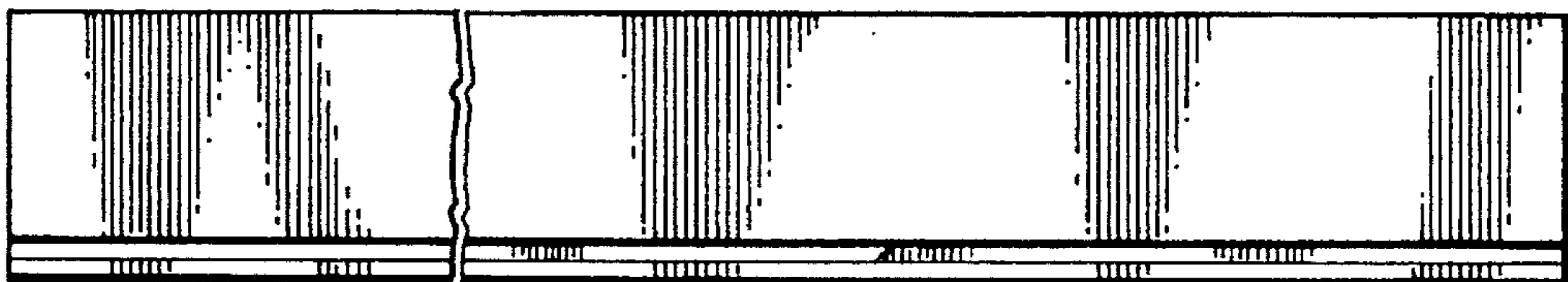


FIG. 6.

